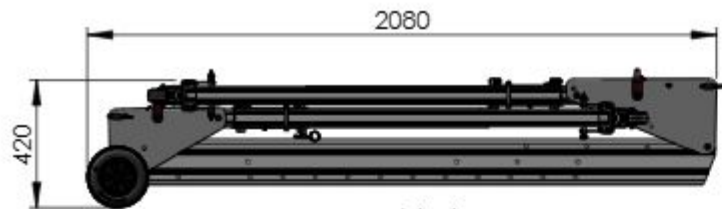




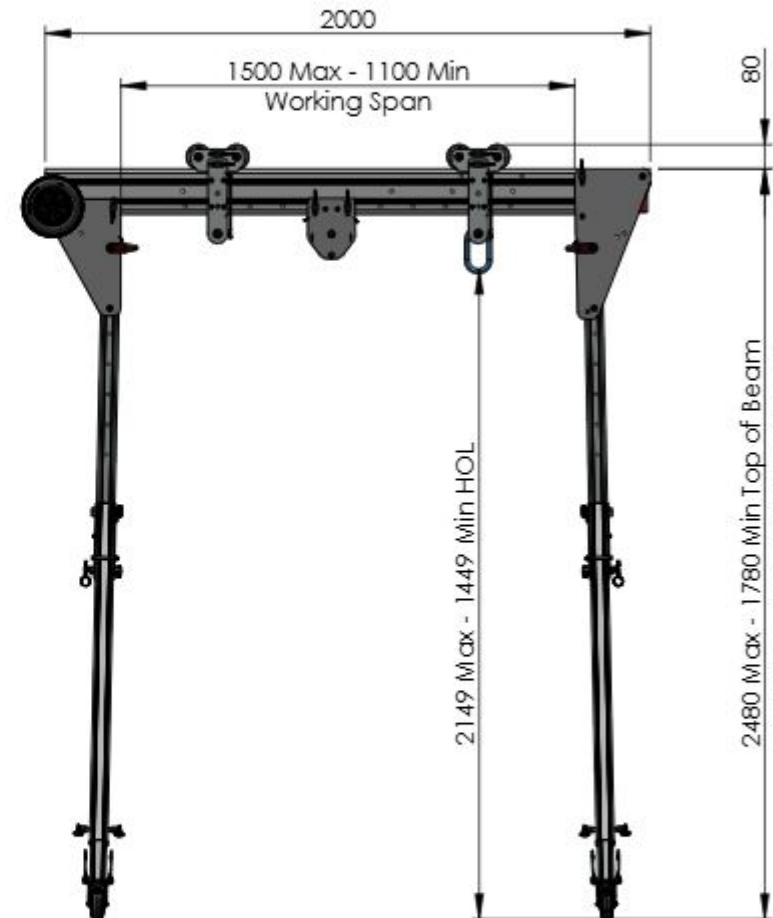
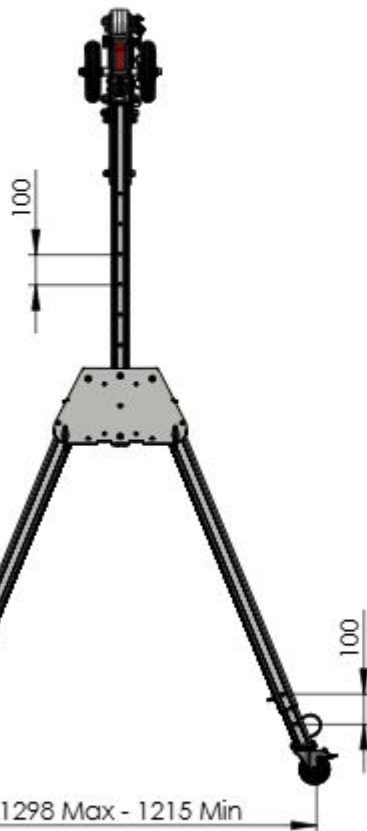
TECHNICAL DATASHEETS

PORTAGANTRY RAPIDE[®]

250 - 500kg



Folded



DO NOT SCALE DRAWING

REVISION **02**



Reid Lifting Limited. Unit 1
Wyeview, Newhouse Farm Ind. Est.,
Chepstow, Monmouthshire.
NP16 6UD, UK

Tel +44(0) 1291 620796
Fax +44(0) 1291 626490

www.reidlifting.com

enquiries@reidlifting.com

	NAME	DATE	FINISH:
DRAWN	SS	30/06/2021	Anodised
CHK'D			MATERIAL:
APP'VD	CM	10/11/2022	Aluminium Alloy
<small>ALL COPYRIGHT AND DESIGN RIGHT SUBSISTING IN THIS DOCUMENT IS THE PROPERTY OF REID LIFTING LIMITED AND MAY NOT BE REPRODUCED WITHOUT REID LIFTING'S CONSENT. THIS DOCUMENT AND THE INFORMATION CONTAINED WITHIN IT IS CONFIDENTIAL AND MAY NOT BE DISCLOSED TO ANY THIRD PARTY NOR USED FOR ANY UNAUTHORISED PURPOSE WITHOUT REID LIFTING'S CONSENT.</small>			
<small>UNLESS OTHERWISE SPECIFIED: DIMENSIONS ARE IN MILLIMETERS</small>			

TITLE: **Porta-Gantry Rapide
Medium Frame WLL400kg
2000mm Beam - Castors**

DWG NO. **PGRM20J** A4

Estimated Weight: 38kg 1:25 SHEET 1 OF 2

General Specification

- Maximum rated capacity for goods lifting - 400kg
- Maximum rated capacity for personnel lifting - 200kg
- Beam deflection at maximum rated capacity of 400kg - 5-15 mm at centre of span
- Maximum castor surface pressure at full load - 7.45 MPa
- Assembled gantry weight (excluding trolleys) - 38kg
- All welding to BS EN ISO 15614-2: 2005 by certified welders.
- For further details and assembly information refer to Operations and Maintenance Manual for Porta Gantry Rapide Product. (available at www.reidlifting.com)

Fall Protection Standards

- Certified to EN795:2012 Type B & supplied under PPE Regulation 2016/425
- Notified Body Witness tested to the requirements of PD CEN/TS16415:2013 for 2 persons
- Exceeds the requirements of IRATA ICOP & BS7985 (15kN MBL)

Materials & Finishes

- Frame and beam - 6082 T6 Aluminium alloy. Anodised.
- Castors - Steel. Bright Zinc Plated.
- Castor Wheels & Rollers - Nylon & Rubber
- Fixings - Steel. Grade 12:9. Bright Zinc Plated.

Note: Trolleys & Sheave Carrier shown in system as a reference



DO NOT SCALE DRAWING

REVISION

02

REID
LIFTING

Reid Lifting Limited. Unit 1
Wyeview, Newhouse Farm Ind. Est.,
Chepstow, Monmouthshire.
NP16 6UD, UK

Tel +44(0)1291 620796
Fax: +44(0)1291 626490

www.reidlifting.com

enquiries@reidlifting.com

	NAME	DATE
DRAWN	SS	30/06/2021
CHK'D		
APP'VD	CM	10/11/2022

UNLESS OTHERWISE SPECIFIED:
DIMENSIONS ARE IN MILLIMETERS

ALL COPYRIGHT AND DESIGN RIGHT SUBSISTING IN THIS DOCUMENT IS THE PROPERTY OF REID LIFTING LIMITED AND MAY NOT BE REPRODUCED WITHOUT REID LIFTING'S CONSENT. THIS DOCUMENT AND THE INFORMATION CONTAINED WITHIN IT IS CONFIDENTIAL AND MAY NOT BE DISCLOSED TO ANY THIRD PARTY NOR USED FOR ANY UNAUTHORIZED PURPOSE WITHOUT REID LIFTING'S CONSENT



TITLE:

**Porta-Gantry Rapide
Medium Frame WLL400kg
2000mm Beam - Castors**

DWG NO.

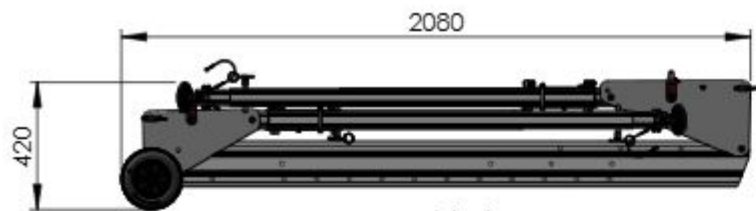
PGRM20J

A4

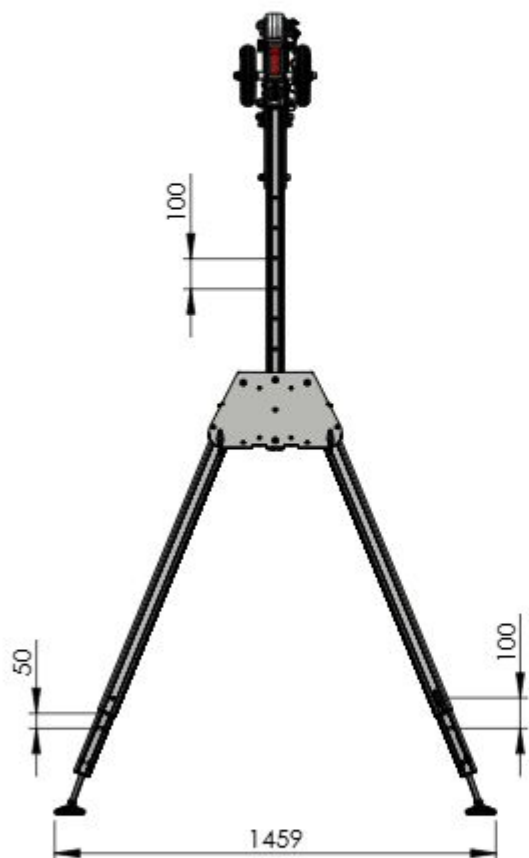
Estimated Weight: 38kg

1:20

SHEET 2 OF 2



Folded



DO NOT SCALE DRAWING

REVISION **02**



Reid Lifting Limited. Unit 1
Wyeview, Newhouse Farm Ind. Est.,
Chepstow, Monmouthshire.
NP16 6UD, UK

Tel +44(0) 1291 620796
Fax +44(0) 1291 626490

www.reidlifting.com

enquiries@reidlifting.com

	NAME	DATE	FINISH:
DRAWN	SS	05/07/2021	Anodised
CHK'D			MATERIAL:
APP'VD	CM	10/11/2022	Aluminium Alloy
<small>ALL COPYRIGHT AND DESIGN RIGHT SUBSISTING IN THIS DOCUMENT IS THE PROPERTY OF REID LIFTING LIMITED AND MAY NOT BE REPRODUCED WITHOUT REID LIFTING'S CONSENT. THIS DOCUMENT AND THE INFORMATION CONTAINED WITHIN IT IS CONFIDENTIAL AND MAY NOT BE DISCLOSED TO ANY THIRD PARTY NOR USED FOR ANY UNAUTHORISED PURPOSE WITHOUT REID LIFTING'S CONSENT</small>			
<small>UNLESS OTHERWISE SPECIFIED: DIMENSIONS ARE IN MILLIMETERS</small>			

TITLE: **Porta-Gantry Rapide Medium
Frame WLL400kg 2000mm
Beam - Adjustable Feet**

DWG NO. **PGRM20K** **A4**

Estimated Weight: 38kg 1:25 SHEET 1 OF 2

General Specification

- Maximum rated capacity for goods lifting - 400kg
- Maximum rated capacity for personnel lifting - 200kg
- Beam deflection at maximum rated capacity of 400kg - 5-15 mm at centre of span
- Maximum pad surface pressure at full load - 0.35 MPa
- Assembled gantry weight (excluding trollies) - 38kg
- All welding to BS EN ISO 15614-2: 2005 by certified welders.
- For further details and assembly information refer to Operations and Maintenance Manual for Porta Gantry Rapide Product. (available at www.reidlifting.com)

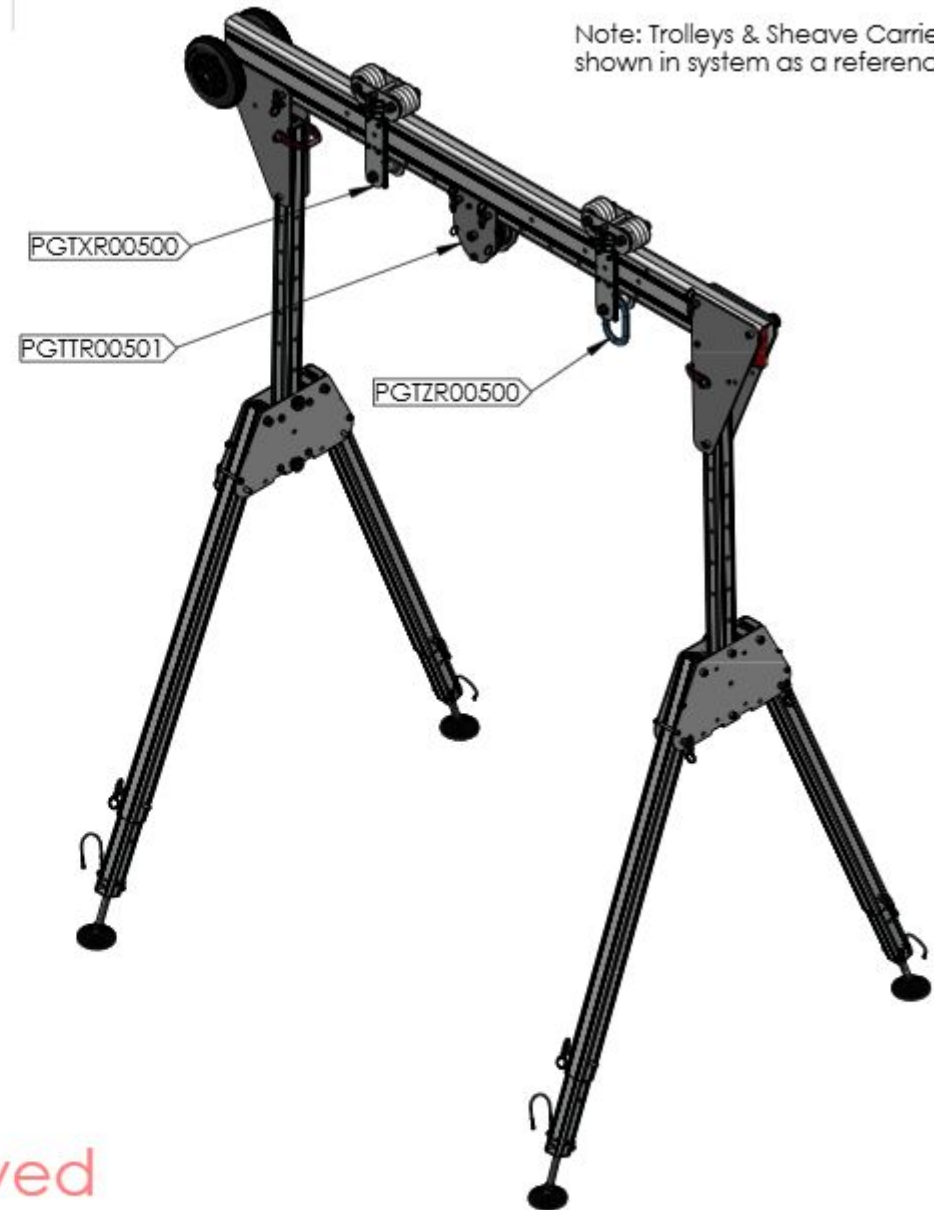
Fall Protection Standards

- Certified to EN795:2012 Type B & supplied under PPE Regulation 2016/425
- Notified Body Witness tested to the requirements of PD CEN/TS16415:2013 for 2 persons
- Exceeds the requirements of IRATA ICOP & BS7985 (15kN MBL)

Materials & Finishes

- Frame and beam - 6082 T6 Aluminium alloy. Anodised.
- Castors - Steel. Bright Zinc Plated.
- Castor Wheels & Rollers - Nylon & Rubber
- Fixings - Steel. Grade 12:9. Bright Zinc Plated.

Note: Trolleys & Sheave Carrier shown in system as a reference



Approved

DO NOT SCALE DRAWING

REVISION

02



Reid Lifting Limited. Unit 1
Wyeview, Newhouse Farm Ind. Est.,
Chepstow, Monmouthshire.
NP16 6UD, UK

Tel +44(0)1291 620796
Fax: +44(0)1291 626490

www.reidlifting.com

enquiries@reidlifting.com

	NAME	DATE
DRAWN	SS	05/07/2021
CHK'D		
APP'VD	CM	10/11/2022

UNLESS OTHERWISE SPECIFIED:
DIMENSIONS ARE IN MILLIMETERS

ALL COPYRIGHT AND DESIGN RIGHT SUBSISTING IN THIS DOCUMENT IS THE PROPERTY OF REID LIFTING LIMITED AND MAY NOT BE REPRODUCED WITHOUT REID LIFTING'S CONSENT. THIS DOCUMENT AND THE INFORMATION CONTAINED WITHIN IT IS CONFIDENTIAL AND MAY NOT BE DISCLOSED TO ANY THIRD PARTY NOR USED FOR ANY UNAUTHORISED PURPOSE WITHOUT REID LIFTING'S CONSENT



TITLE: **Porta-Gantry Rapide Medium
Frame WLL400kg 2000mm
Beam - Adjustable Feet**

DWG NO.

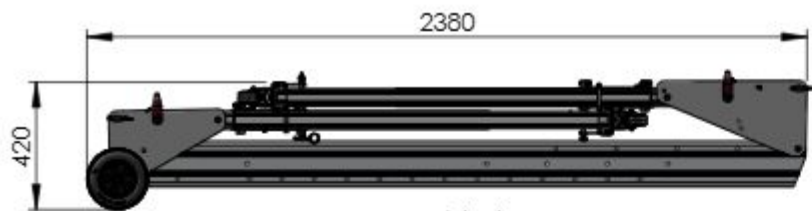
PGRM20K

A4

Estimated Weight: 38kg

1:20

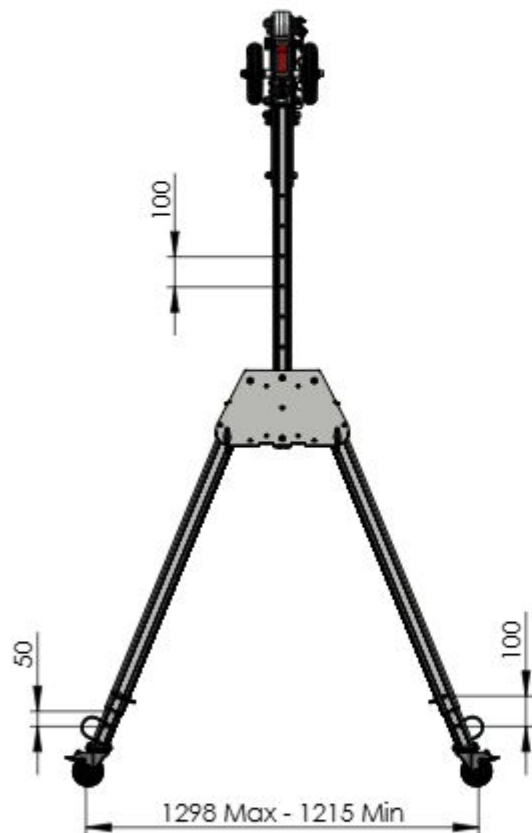
SHEET 2 OF 2



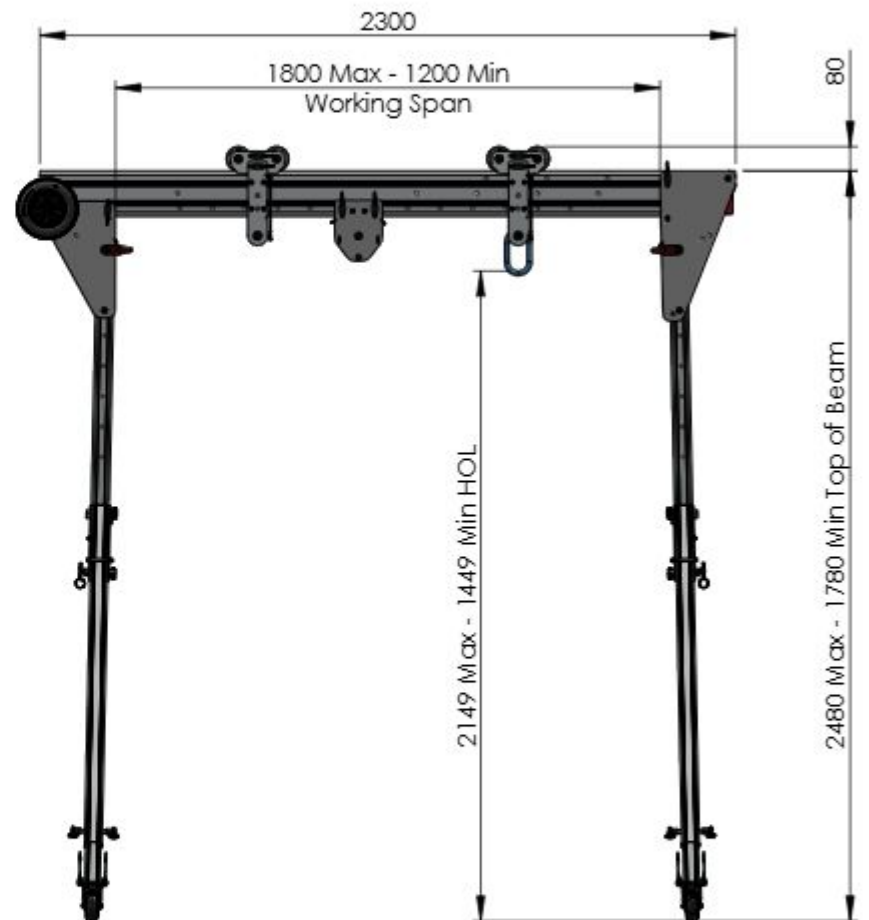
Folded



440



1298 Max - 1215 Min



2300

1800 Max - 1200 Min
Working Span

80

2149 Max - 1449 Min HOL

2480 Max - 1780 Min Top of Beam

DO NOT SCALE DRAWING

REVISION

02



Reid Lifting Limited. Unit 1
Wyeview, Newhouse Farm Ind. Est.,
Chepstow, Monmouthshire.
NP16 6UD, UK

Tel +44(0) 1291 620796
Fax +44(0) 1291 626490

www.reidlifting.com

enquiries@reidlifting.com

	NAME	DATE	FINISH:
DRAWN	SS	30/06/2021	Anodised
CHK'D			MATERIAL:
APPR'D	CM	10/11/2022	Aluminium Alloy
<small>ALL COPYRIGHT AND DESIGN RIGHT SUBSISTING IN THIS DOCUMENT IS THE PROPERTY OF REID LIFTING LIMITED AND MAY NOT BE REPRODUCED WITHOUT REID LIFTING'S CONSENT. THIS DOCUMENT AND THE INFORMATION CONTAINED WITHIN IT IS CONFIDENTIAL AND MAY NOT BE DISCLOSED TO ANY THIRD PARTY NOR USED FOR ANY UNAUTHORISED PURPOSE WITHOUT REID LIFTING'S CONSENT.</small>			
<small>UNLESS OTHERWISE SPECIFIED: DIMENSIONS ARE IN MILLIMETERS</small>			

TITLE: **Porta-Gantry Rapide
Medium Frame WLL400kg
2300mm Beam - Castors**

DWG NO.

PGRM23J

A4

Estimated Weight: 38kg

1:25

SHEET 1 OF 2

General Specification

- Maximum rated capacity for goods lifting - 400kg
- Maximum rated capacity for personnel lifting - 200kg
- Beam deflection at maximum rated capacity of 400kg - 5-15 mm at centre of span
- Maximum castor surface pressure at full load - 7.45 MPa
- Assembled gantry weight (excluding trollies) - 38kg
- All welding to BS EN ISO 15614-2: 2005 by certified welders.
- For further details and assembly information refer to Operations and Maintenance Manual for Porta Gantry Rapide Product. (available at www.reidlifting.com)

Fall Protection Standards

- Certified to EN795:2012 Type B & supplied under PPE Regulation 2016/425
- Notified Body Witness tested to the requirements of PD CEN/TS16415:2013 for 2 persons
- Exceeds the requirements of IRATA ICOP & BS7985 (15kN MBL)

Materials & Finishes

- Frame and beam - 6082 T6 Aluminium alloy. Anodised.
- Castors - Steel. Bright Zinc Plated.
- Castor Wheels & Rollers - Nylon & Rubber
- Fixings - Steel. Grade 12:9. Bright Zinc Plated.

Note: Trolleys & Sheave Carrier shown in system as a reference



DO NOT SCALE DRAWING

REVISION **02**

REID
LIFTING

www.reidlifting.com

Reid Lifting Limited. Unit 1
Wyeview, Newhouse Farm Ind. Est.,
Chepstow, Monmouthshire.
NP16 6UD, UK

Tel +44(0)1291 620796
Fax: +44(0)1291 626490

enquiries@reidlifting.com

	NAME	DATE
DRAWN	SS	30/06/2021
CHK'D		
APPR'D	CM	10/11/2022

UNLESS OTHERWISE SPECIFIED:
DIMENSIONS ARE IN MILLIMETERS

ALL COPYRIGHT AND DESIGN RIGHT SUBSISTING IN THIS DOCUMENT IS THE PROPERTY OF REID LIFTING LIMITED AND MAY NOT BE REPRODUCED WITHOUT REID LIFTING'S CONSENT. THIS DOCUMENT AND THE INFORMATION CONTAINED WITHIN IT IS CONFIDENTIAL AND MAY NOT BE DISCLOSED TO ANY THIRD PARTY NOR USED FOR ANY UNAUTHORISED PURPOSE WITHOUT REID LIFTING'S CONSENT



TITLE: **Porta-Gantry Rapide
Medium Frame WLL400kg
2300mm Beam - Castors**

DWG NO.

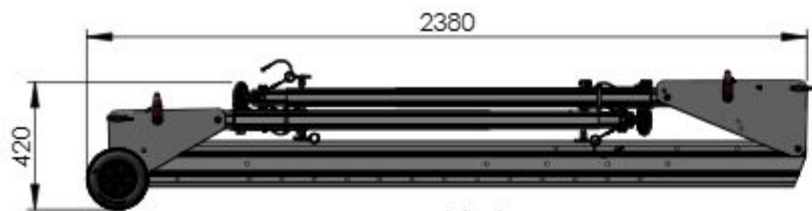
PGRM23J

A4

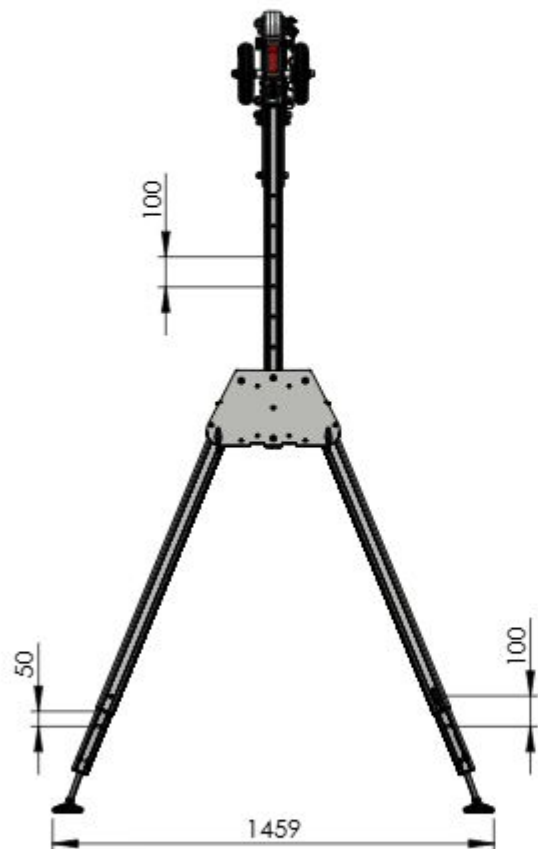
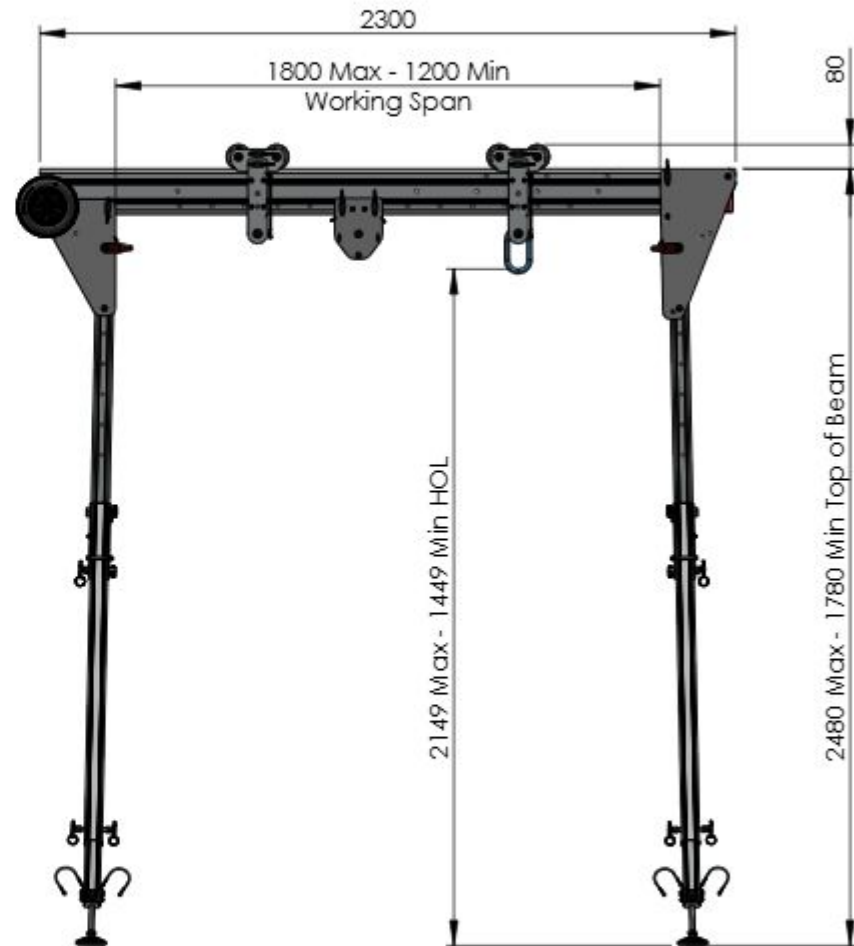
Estimated Weight: 38kg

1:22

SHEET 2 OF 2



Folded



DO NOT SCALE DRAWING

REVISION **02**



Reid Lifting Limited. Unit 1
Wyeview, Newhouse Farm Ind. Est.,
Chepstow, Monmouthshire.
NP16 6UD, UK

Tel +44(0) 1291 620796
Fax +44(0) 1291 626490

www.reidlifting.com

enquiries@reidlifting.com

	NAME	DATE	FINISH:
DRAWN	SS	05/07/2021	Anodised
CHK'D			MATERIAL:
APP'VD	CM	10/11/2022	Aluminium Alloy
<small>ALL COPYRIGHT AND DESIGN RIGHT SUBSISTING IN THIS DOCUMENT IS THE PROPERTY OF REID LIFTING LIMITED AND MAY NOT BE REPRODUCED WITHOUT REID LIFTING'S CONSENT. THIS DOCUMENT AND THE INFORMATION CONTAINED WITHIN IT IS CONFIDENTIAL AND MAY NOT BE DISCLOSED TO ANY THIRD PARTY NOR USED FOR ANY UNAUTHORISED PURPOSE WITHOUT REID LIFTING'S CONSENT.</small>			
<small>UNLESS OTHERWISE SPECIFIED: DIMENSIONS ARE IN MILLIMETERS</small>			

TITLE: **Porta-Gantry Rapide Medium
Frame WLL400kg 2300mm
Beam - Adjustable Feet**

DWG NO. **PGRM23K** **A4**

Estimated Weight: 38kg 1:25 SHEET 1 OF 2

General Specification

- Maximum rated capacity for goods lifting - 400kg
- Maximum rated capacity for personnel lifting - 200kg
- Beam deflection at maximum rated capacity of 400kg - 5-15 mm at centre of span
- Maximum pad surface pressure at full load - 0.35 MPa
- Assembled gantry weight (excluding trollies) - 38kg
- All welding to BS EN ISO 15614-2: 2005 by certified welders.
- For further details and assembly information refer to Operations and Maintenance Manual for Porta Gantry Rapide Product. (available at www.reidlifting.com)

Fall Protection Standards

- Certified to EN795:2012 Type B & supplied under PPE Regulation 2016/425
- Notified Body Witness tested to the requirements of PD CEN/TS16415:2013 for 2 persons
- Exceeds the requirements of IRATA ICOP & BS7985 (15kN MBL)

Materials & Finishes

- Frame and beam - 6082 T6 Aluminium alloy. Anodised.
- Castors - Steel. Bright Zinc Plated.
- Castor Wheels & Rollers - Nylon & Rubber
- Fixings - Steel. Grade 12:9. Bright Zinc Plated.

Note: Trolleys & Sheave Carrier shown in system as a reference



Approved

DO NOT SCALE DRAWING

REVISION **02**



Reid Lifting Limited. Unit 1
Wyeview, Newhouse Farm Ind. Est.,
Chepstow, Monmouthshire.
NP16 6UD, UK

Tel +44(0)1291 620796
Fax: +44(0)1291 626490

www.reidlifting.com

enquiries@reidlifting.com

	NAME	DATE
DRAWN	SS	05/07/2021
CHK'D		
APPR'D	CM	10/11/2022

UNLESS OTHERWISE SPECIFIED:
DIMENSIONS ARE IN MILLIMETERS

ALL COPYRIGHT AND DESIGN RIGHT SUBSISTING IN THIS DOCUMENT IS THE PROPERTY OF REID LIFTING LIMITED AND MAY NOT BE REPRODUCED WITHOUT REID LIFTING'S CONSENT. THIS DOCUMENT AND THE INFORMATION CONTAINED WITHIN IT IS CONFIDENTIAL AND MAY NOT BE DISCLOSED TO ANY THIRD PARTY NOR USED FOR ANY UNAUTHORISED PURPOSE WITHOUT REID LIFTING'S CONSENT



TITLE: **Porta-Gantry Rapide Medium
Frame WLL400kg 2300mm
Beam - Adjustable Feet**

DWG NO.

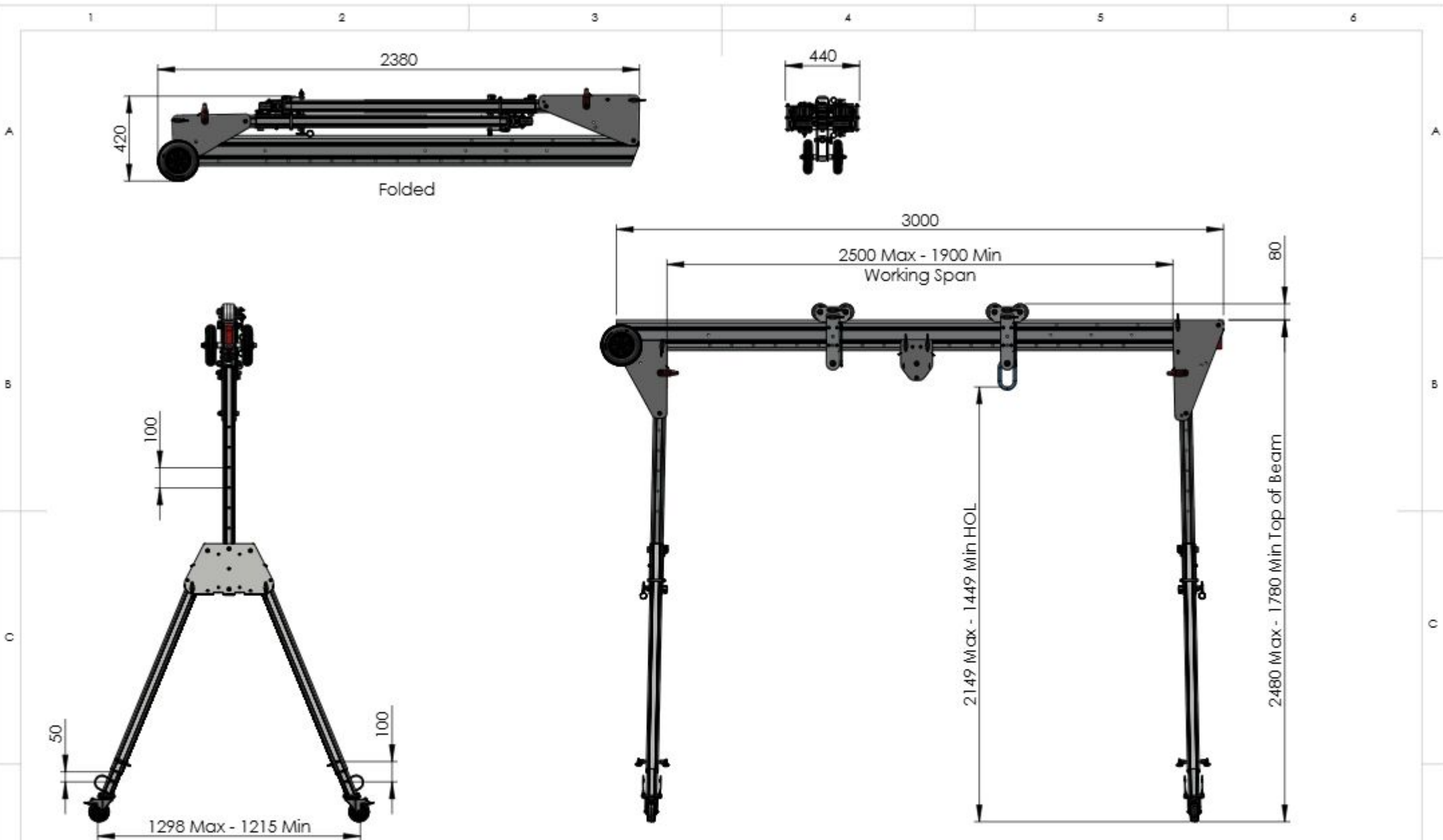
PGRM23K

A4

Estimated Weight: 38kg

1:22

SHEET 2 OF 2



DO NOT SCALE DRAWING

REVISION **02**



Reid Lifting Limited. Unit 1
Wyeview, Newhouse Farm Ind. Est.,
Chepstow, Monmouthshire.
NP16 6UD, UK

Tel +44(0) 1291 620796
Fax +44(0) 1291 626490

www.reidlifting.com

enquiries@reidlifting.com

	NAME	DATE	FINISH:
DRAWN	SS	30/06/2021	Anodised
CHK'D			MATERIAL:
APP'VD	CM	15/11/2022	Aluminium Alloy
<small>ALL COPYRIGHT AND DESIGN RIGHT SUBSISTING IN THIS DOCUMENT IS THE PROPERTY OF REID LIFTING LIMITED AND MAY NOT BE REPRODUCED WITHOUT REID LIFTING'S CONSENT. THIS DOCUMENT AND THE INFORMATION CONTAINED WITHIN IT IS CONFIDENTIAL AND MAY NOT BE DISCLOSED TO ANY THIRD PARTY NOR USED FOR ANY UNAUTHORISED PURPOSE WITHOUT REID LIFTING'S CONSENT</small>			
<small>UNLESS OTHERWISE SPECIFIED: DIMENSIONS ARE IN MILLIMETERS</small>			

TITLE: **Porta-Gantry Rapide
Medium Frame WLL250kg
3000mm Beam - Castors**

DWG NO. **PGRM30J** A4

Estimated Weight: 41kg 1:25 SHEET 1 OF 2

General Specification

- Maximum rated capacity for goods lifting - 250kg
- Maximum rated capacity for personnel lifting - 125kg
- Beam deflection at maximum rated capacity of 250kg - 10-20 mm at centre of span
- Maximum castor surface pressure at full load - 4.96 MPa
- Assembled gantry weight (excluding trollies) - 41kg
- All welding to BS EN ISO 15614-2: 2005 by certified welders.
- For further details and assembly information refer to Operations and Maintenance Manual for Porta Gantry Rapide Product. (available at www.reidlifting.com)

Fall Protection Standards

- Certified to EN795:2012 Type B & supplied under PPE Regulation 2016/425
- Exceeds the requirements of IRATA ICOP & BS7985 (15kN MBL)

Materials & Finishes

- Frame and beam - 6082 T6 Aluminium alloy. Anodised.
- Castors - Steel. Bright Zinc Plated.
- Castor Wheels & Rollers - Nylon & Rubber
- Fixings - Steel. Grade 12:9. Bright Zinc Plated.

Note: Trolleys & Sheave Carrier shown in system as a reference



DO NOT SCALE DRAWING

REVISION

02

REID
LIFTING

Reid Lifting Limited. Unit 1
Wyeview, Newhouse Farm Ind. Est.,
Chepstow, Monmouthshire.
NP16 6UD, UK

Tel +44(0)1291 620796
Fax: +44(0)1291 626490

www.reidlifting.com

enquiries@reidlifting.com

	NAME	DATE
DRAWN	SS	30/06/2021
CHK'D		
APP'VD	CM	15/11/2022

UNLESS OTHERWISE SPECIFIED:
DIMENSIONS ARE IN MILLIMETERS

ALL COPYRIGHT AND DESIGN RIGHT SUBSISTING IN THIS DOCUMENT IS THE PROPERTY OF REID LIFTING LIMITED AND MAY NOT BE REPRODUCED WITHOUT REID LIFTING'S CONSENT. THIS DOCUMENT AND THE INFORMATION CONTAINED WITHIN IT IS CONFIDENTIAL AND MAY NOT BE DISCLOSED TO ANY THIRD PARTY NOR USED FOR ANY UNAUTHORISED PURPOSE WITHOUT REID LIFTING'S CONSENT



TITLE: **Porta-Gantry Rapide
Medium Frame WLL250kg
3000mm Beam - Castors**

DWG NO.

PGRM30J

A4

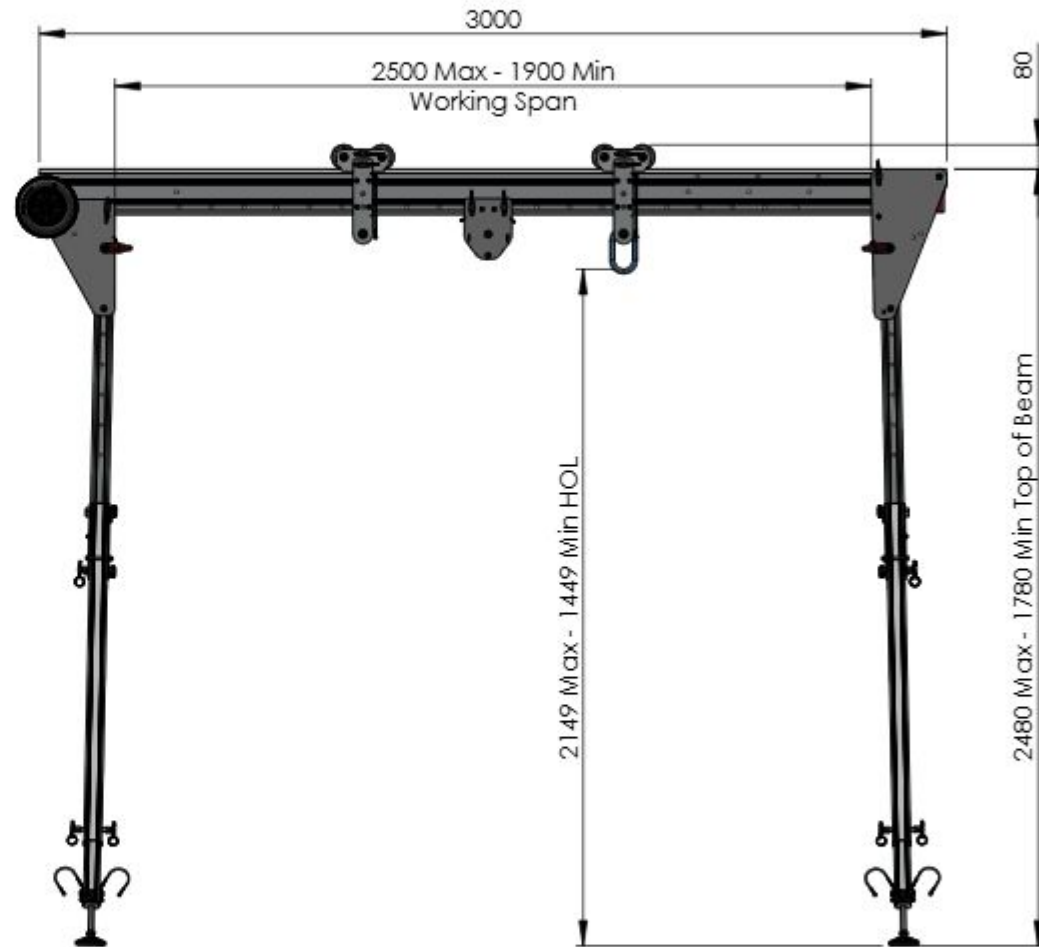
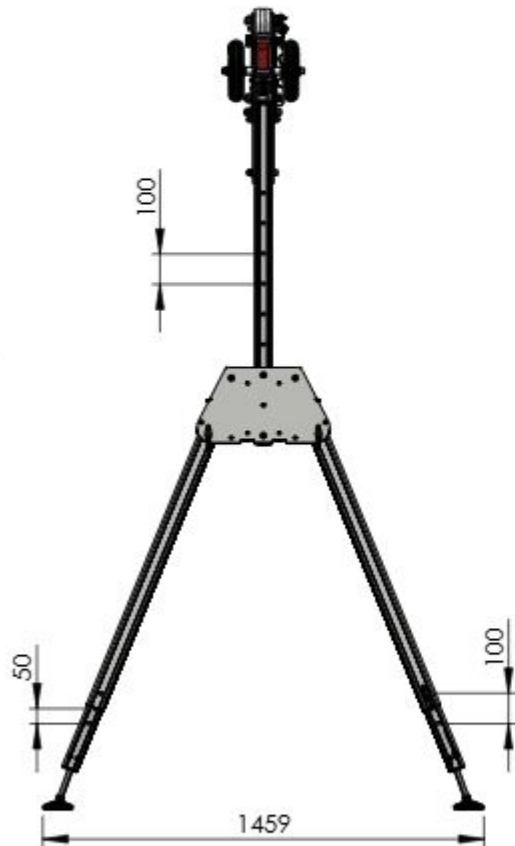
Estimated Weight: 41kg

1:25

SHEET 2 OF 2



Folded



DO NOT SCALE DRAWING

REVISION **02**



Reid Lifting Limited. Unit 1
Wyeview, Newhouse Farm Ind. Est.,
Chepstow, Monmouthshire,
NP16 6UD, UK

Tel +44(0) 1291 620796
Fax +44(0) 1291 626490

www.reidlifting.com

enquiries@reidlifting.com

	NAME	DATE	FINISH:
DRAWN	SS	05/07/2021	Anodised
CHK'D			MATERIAL:
APP'VD	CM	15/11/2022	Aluminium Alloy
<small>ALL COPYRIGHT AND DESIGN RIGHT SUBSISTING IN THIS DOCUMENT IS THE PROPERTY OF REID LIFTING LIMITED AND MAY NOT BE REPRODUCED WITHOUT REID LIFTING'S CONSENT. THIS DOCUMENT AND THE INFORMATION CONTAINED WITHIN IT IS CONFIDENTIAL AND MAY NOT BE DISCLOSED TO ANY THIRD PARTY NOR USED FOR ANY UNAUTHORISED PURPOSE WITHOUT REID LIFTING'S CONSENT</small>			
<small>UNLESS OTHERWISE SPECIFIED: DIMENSIONS ARE IN MILLIMETERS</small>			

TITLE: **Porta-Gantry Rapide Medium
Frame WLL250kg 3000mm
Beam - Adjustable Feet**

DWG NO. **PGRM30K** A4

Estimated Weight: 41kg 1:25 SHEET 1 OF 2

General Specification

- Maximum rated capacity for goods lifting - 250kg
- Maximum rated capacity for personnel lifting - 125kg
- Beam deflection at maximum rated capacity of 250kg - 10-20 mm at centre of span
- Maximum pad surface pressure at full load - 0.23 MPa
- Assembled gantry weight (excluding trollies) - 41kg
- All welding to BS EN ISO 15614-2: 2005 by certified welders.
- For further details and assembly information refer to Operations and Maintenance Manual for Porta Gantry Rapide Product. (available at www.reidlifting.com)

Fall Protection Standards

- Certified to EN795:2012 Type B & supplied under PPE Regulation 2016/425
- Exceeds the requirements of IRATA ICOP & BS7985 (15kN MBL)

Materials & Finishes

- Frame and beam - 6082 T6 Aluminium alloy. Anodised.
- Castors - Steel. Bright Zinc Plated.
- Castor Wheels & Rollers - Nylon & Rubber
- Fixings - Steel. Grade 12:9. Bright Zinc Plated.

Note: Trolleys & Sheave Carrier shown in system as a reference



Approved

DO NOT SCALE DRAWING

REVISION **02**

REID
LIFTING

Reid Lifting Limited. Unit 1
Wyeview, Newhouse Farm Ind. Est.,
Chepstow, Monmouthshire.
NP16 6UD, UK

Tel +44(0)1291 620796
Fax: +44(0)1291 626490

www.reidlifting.com

enquiries@reidlifting.com

	NAME	DATE
DRAWN	SS	05/07/2021
CHK'D		
APP'VD	CM	15/11/2022

UNLESS OTHERWISE SPECIFIED:
DIMENSIONS ARE IN MILLIMETERS

ALL COPYRIGHT AND DESIGN RIGHT SUBSISTING IN THIS DOCUMENT IS THE PROPERTY OF REID LIFTING LIMITED AND MAY NOT BE REPRODUCED WITHOUT REID LIFTING'S CONSENT. THIS DOCUMENT AND THE INFORMATION CONTAINED WITHIN IT IS CONFIDENTIAL AND MAY NOT BE DISCLOSED TO ANY THIRD PARTY NOR USED FOR ANY UNAUTHORISED PURPOSE WITHOUT REID LIFTING'S CONSENT



TITLE: **Porta-Gantry Rapide Medium Frame WLL250kg 3000mm Beam - Adjustable Feet**

DWG NO.

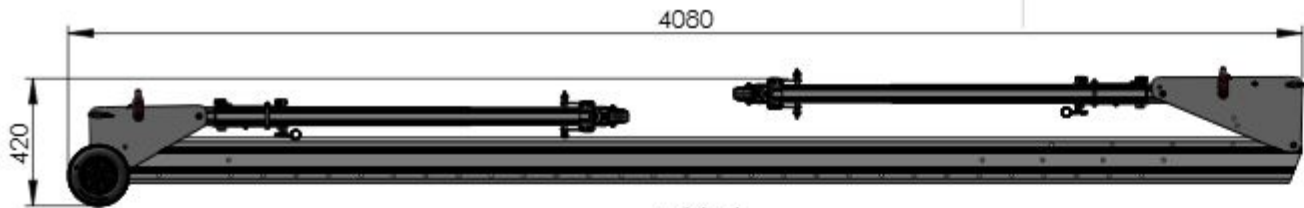
PGRM30K

A4

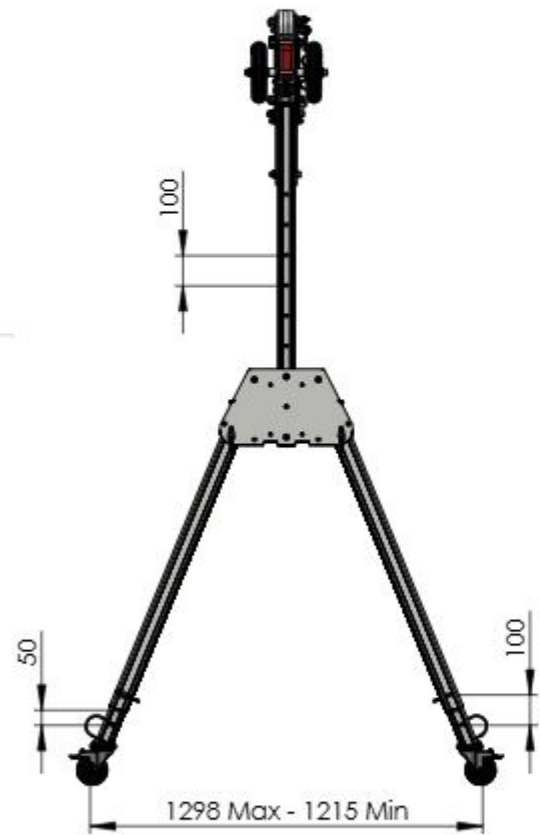
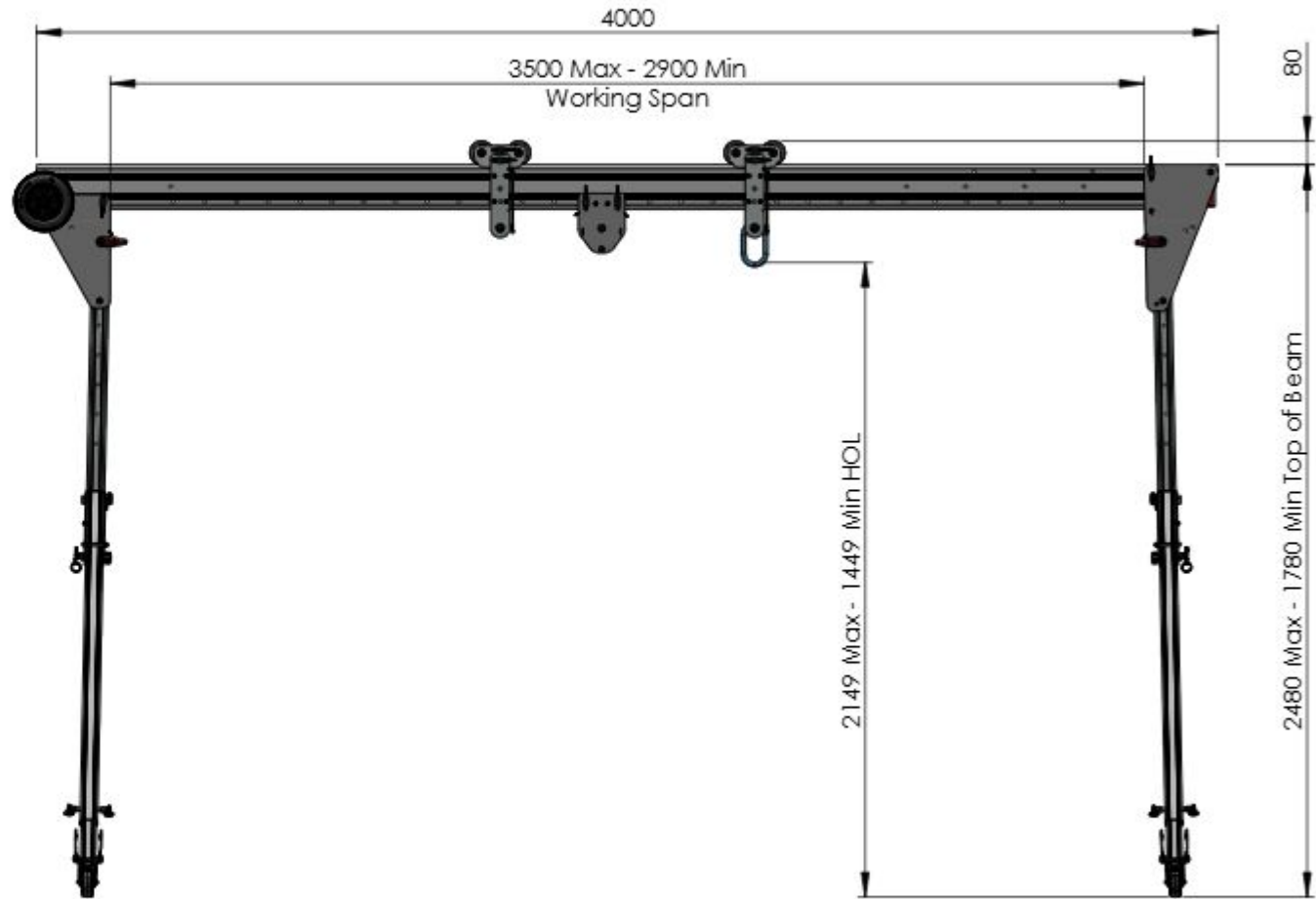
Estimated Weight: 41kg

1:25

SHEET 2 OF 2



Folded



DO NOT SCALE DRAWING

REVISION **02**



Reid Lifting Limited. Unit 1
Wyeview, Newhouse Farm Ind. Est.,
Chepstow, Monmouthshire.
NP16 6UD, UK
Tel +44(0) 1291 620796
Fax +44(0) 1291 626490
www.reidlifting.com
enquiries@reidlifting.com

	NAME	DATE	FINISH:
DRAWN	SS	30/06/2021	Anodised
CHK'D			MATERIAL:
APP'VD	CM	10/11/2022	Aluminium Alloy
<small>ALL COPYRIGHT AND DESIGN RIGHT SUBSISTING IN THIS DOCUMENT IS THE PROPERTY OF REID LIFTING LIMITED AND MAY NOT BE REPRODUCED WITHOUT REID LIFTING'S CONSENT. THIS DOCUMENT AND THE INFORMATION CONTAINED WITHIN IT IS CONFIDENTIAL AND MAY NOT BE DISCLOSED TO ANY THIRD PARTY NOR USED FOR ANY UNAUTHORISED PURPOSE WITHOUT REID LIFTING'S CONSENT.</small>			
<small>UNLESS OTHERWISE SPECIFIED: DIMENSIONS ARE IN MILLIMETERS</small>			

TITLE:	Porta-Gantry Rapide Medium Frame WLL250kg 4000mm Beam - Castors
DWG NO.	PGRM40J
Estimated Weight:	44kg
	1:25
	A4
	SHEET 1 OF 2



General Specification

- Maximum rated capacity for goods lifting - 250kg
- Maximum rated capacity for personnel lifting - 125kg
- Beam deflection at maximum rated capacity of 250kg - 10-20 mm at centre of span
- Maximum castor surface pressure at full load - 5.01 MPa
- Assembled gantry weight (excluding trolleys) - 44kg
- All welding to BS EN ISO 15614-2: 2005 by certified welders.
- For further details and assembly information refer to Operations and Maintenance Manual for Porta Gantry Rapide Product. (available at www.reidlifting.com)

Fall Protection Standards

- Certified to EN795:2012 Type B & supplied under PPE Regulation 2016/425
- Exceeds the requirements of IRATA ICOP & BS7985 (15kN MBL)

Materials & Finishes

- Frame and beam - 6082 T6 Aluminium alloy. Anodised.
- Castors - Steel. Bright Zinc Plated.
- Castor Wheels & Rollers - Nylon & Rubber
- Fixings - Steel. Grade 12:9. Bright Zinc Plated.

Note: Trolleys & Sheave Carrier shown in system as a reference



DO NOT SCALE DRAWING

REVISION **02**



Reid Lifting Limited. Unit 1
Wyeview, Newhouse Farm Ind. Est.,
Chepstow, Monmouthshire.
NP16 6UD, UK

Tel +44(0)1291 620796
Fax: +44(0)1291 626490

www.reidlifting.com

enquiries@reidlifting.com

	NAME	DATE
DRAWN	SS	30/06/2021
CHK'D		
APP'VD	CM	10/11/2022

UNLESS OTHERWISE SPECIFIED:
DIMENSIONS ARE IN MILLIMETERS

ALL COPYRIGHT AND DESIGN RIGHT SUBSISTING IN THIS DOCUMENT IS THE PROPERTY OF REID LIFTING LIMITED AND MAY NOT BE REPRODUCED WITHOUT REID LIFTING'S CONSENT. THIS DOCUMENT AND THE INFORMATION CONTAINED WITHIN IT IS CONFIDENTIAL AND MAY NOT BE DISCLOSED TO ANY THIRD PARTY NOR USED FOR ANY UNAUTHORIZED PURPOSE WITHOUT REID LIFTING'S CONSENT



TITLE: **Porta-Gantry Rapide
Medium Frame WLL250kg
4000mm Beam - Castors**

DWG NO.

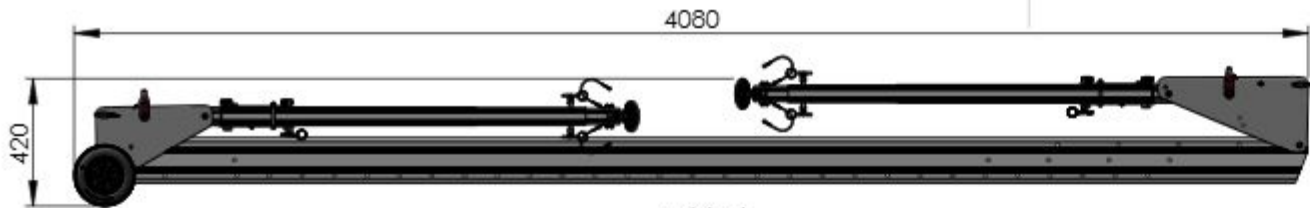
PGRM40J

A4

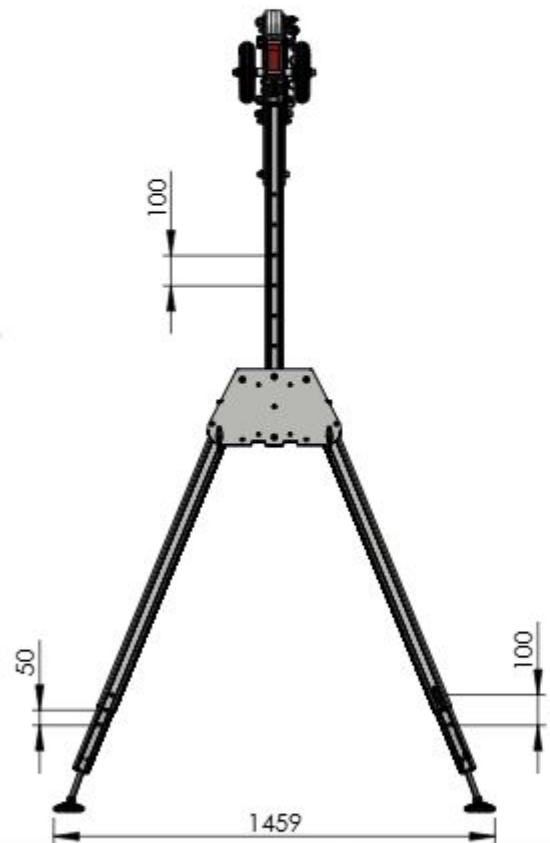
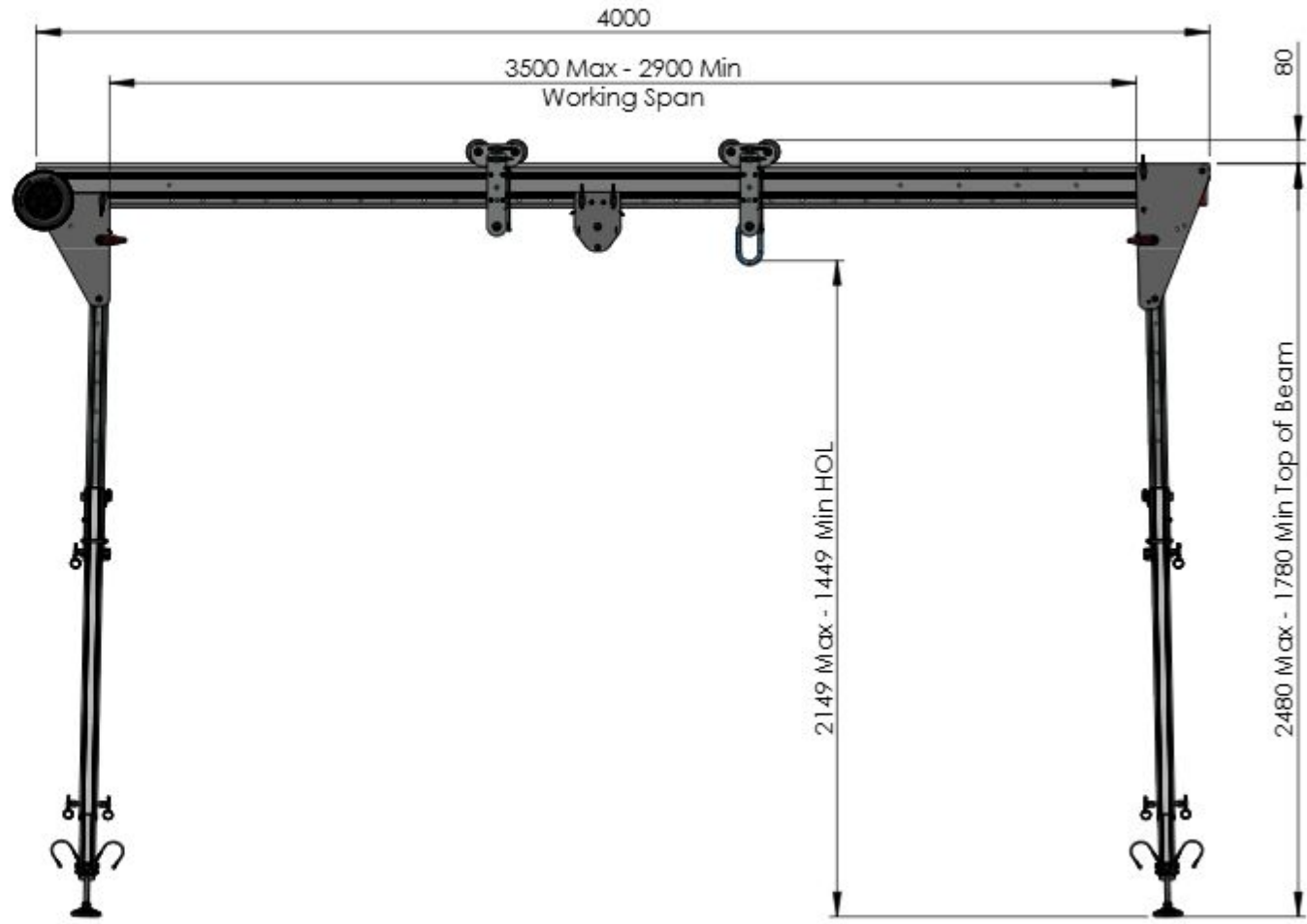
Estimated Weight: 44kg

1:25

SHEET 2 OF 2



Folded



DO NOT SCALE DRAWING

REVISION **02**



Reid Lifting Limited. Unit 1
Wyeview, Newhouse Farm Ind. Est.,
Chepstow, Monmouthshire,
NP16 6UD, UK
Tel +44(0) 1291 620796
Fax +44(0) 1291 626490
www.reidlifting.com
enquiries@reidlifting.com

	NAME	DATE	FINISH:
DRAWN	SS	05/07/2021	Anodised
CHK'D			MATERIAL:
APPR'VD	CM	10/11/2022	Aluminium Alloy
<small>ALL COPYRIGHT AND DESIGN RIGHT SUBSISTING IN THIS DOCUMENT IS THE PROPERTY OF REID LIFTING LIMITED AND MAY NOT BE REPRODUCED WITHOUT REID LIFTING'S CONSENT. THIS DOCUMENT AND THE INFORMATION CONTAINED WITHIN IT IS CONFIDENTIAL AND MAY NOT BE DISCLOSED TO ANY THIRD PARTY NOR USED FOR ANY UNAUTHORISED PURPOSE WITHOUT REID LIFTING'S CONSENT</small>			
<small>UNLESS OTHERWISE SPECIFIED: DIMENSIONS ARE IN MILLIMETERS</small>			

TITLE:	DWG NO.	Estimated Weight:	Scale:	SHEET
Porta-Gantry Rapide Medium Frame WLL250kg 4000mm Beam - Adjustable Feet	PGRM40K	44kg	1:25	1 OF 2
				A4



General Specification

- Maximum rated capacity for goods lifting - 250kg
- Maximum rated capacity for personnel lifting - 125kg
- Beam deflection at maximum rated capacity of 250kg - 10-20 mm at centre of span
- Maximum pad surface pressure at full load - 0.23 MPa
- Assembled gantry weight (excluding trolleys) - 44kg
- All welding to BS EN ISO 15614-2: 2005 by certified welders.
- For further details and assembly information refer to Operations and Maintenance Manual for Porta Gantry Rapide Product. (available at www.reidlifting.com)

Fall Protection Standards

- Certified to EN795:2012 Type B & supplied under PPE Regulation 2016/425
- Exceeds the requirements of IRATA ICOP & BS7985 (15kN MBL)

Materials & Finishes

- Frame and beam - 6082 T6 Aluminium alloy. Anodised.
- Castors - Steel. Bright Zinc Plated.
- Castor Wheels & Rollers - Nylon & Rubber
- Fixings - Steel. Grade 12:9. Bright Zinc Plated.

Note: Trolleys & Sheave Carrier shown in system as a reference



Approved

DO NOT SCALE DRAWING

REVISION **02**



Reid Lifting Limited. Unit 1
Wyeview, Newhouse Farm Ind. Est.,
Chepstow, Monmouthshire.
NP16 6UD, UK

Tel +44(0)1291 620796
Fax: +44(0)1291 626490

www.reidlifting.com

enquiries@reidlifting.com

	NAME	DATE
DRAWN	SS	05/07/2021
CHK'D		
APPR'D	CM	10/11/2022

UNLESS OTHERWISE SPECIFIED:
DIMENSIONS ARE IN MILLIMETERS

ALL COPYRIGHT AND DESIGN RIGHT SUBSISTING IN THIS DOCUMENT IS THE PROPERTY OF REID LIFTING LIMITED AND MAY NOT BE REPRODUCED WITHOUT REID LIFTING'S CONSENT. THIS DOCUMENT AND THE INFORMATION CONTAINED WITHIN IT IS CONFIDENTIAL AND MAY NOT BE DISCLOSED TO ANY THIRD PARTY NOR USED FOR ANY UNAUTHORISED PURPOSE WITHOUT REID LIFTING'S CONSENT



TITLE: **Porta-Gantry Rapide Medium
Frame WLL250kg 4000mm
Beam - Adjustable Feet**

DWG NO.

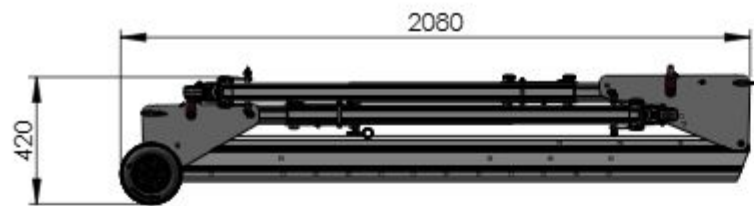
PGRM40K

A4

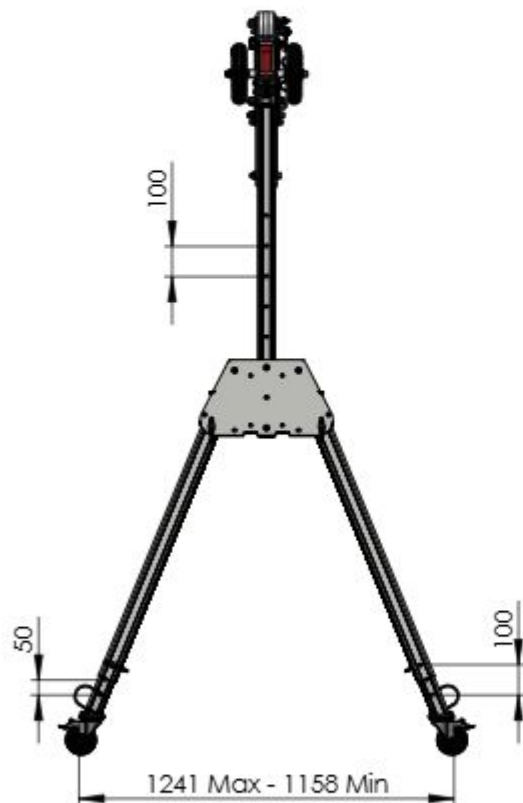
Estimated Weight: 44kg

1:25

SHEET 2 OF 2



Folded



DO NOT SCALE DRAWING

REVISION **03**



Reid Lifting Limited. Unit 1
Wyeview, Newhouse Farm Ind. Est.,
Chepstow, Monmouthshire,
NP16 6UD, UK

Tel +44(0) 1291 620796
Fax +44(0) 1291 626490

www.reidlifting.com

enquiries@reidlifting.com

	NAME	DATE	FINISH:
DRAWN	BJ	26/11/2020	Anodised
CHK'D			MATERIAL:
APP'VD	CM	11/11/2022	Aluminium Alloy
<small>ALL COPYRIGHT AND DESIGN RIGHT SUBSISTING IN THIS DOCUMENT IS THE PROPERTY OF REID LIFTING LIMITED AND MAY NOT BE REPRODUCED WITHOUT REID LIFTING'S CONSENT. THIS DOCUMENT AND THE INFORMATION CONTAINED WITHIN IT IS CONFIDENTIAL AND MAY NOT BE DISCLOSED TO ANY THIRD PARTY NOR USED FOR ANY UNAUTHORISED PURPOSE WITHOUT REID LIFTING'S CONSENT</small>			
<small>UNLESS OTHERWISE SPECIFIED: DIMENSIONS ARE IN MILLIMETERS</small>			

TITLE: **Porta-Gantry Rapide
Standard Frame WLL500kg
2000mm Beam - Castors**

DWG NO. **PGRS20J** A4

Estimated Weight: 43.18 kg 1:25 SHEET 1 OF 2

General Specification

- Maximum rated capacity for goods lifting - 500kg
- Maximum rated capacity for personnel lifting - 250kg
- Beam deflection at maximum rated capacity of 500kg - 5-15 mm at centre of span
- Maximum castor surface pressure at full load - 8.81 MPa
- Assembled gantry weight (excluding trollies) - 37kg
- All welding to BS EN ISO 15614-2: 2005 by certified welders.
- For further details and assembly information refer to Operations and Maintenance Manual for Porta Gantry Rapide Product. (available at www.reidlifting.com)

Fall Protection Standards

- Certified to EN795:2012 Type B & supplied under PPE Regulation 2016/425
- Notified Body Witness tested to the requirements of PD CEN/TS16415:2013 for 3 persons
- Exceeds the requirements of IRATA ICOP & BS7985 (15kN MBL)

Materials & Finishes

- Frame and beam - 6082 T6 Aluminium alloy. Anodised.
- Castors - Steel. Bright Zinc Plated.
- Castor Wheels & Rollers - Nylon & Rubber
- Fixings - Steel. Grade 12:9. Bright Zinc Plated.

Note: Trolleys & Sheave Carrier shown in system as a reference



DO NOT SCALE DRAWING

REVISION

03

REID
LIFTING

Reid Lifting Limited. Unit 1
Wyeview, Newhouse Farm Ind. Est.,
Chepstow, Monmouthshire.
NP16 6UD, UK

Tel +44(0)1291 620796
Fax: +44(0)1291 626490

www.reidlifting.com

enquiries@reidlifting.com

	NAME	DATE
DRAWN	BJ	26/11/2020
CHK'D		
APP'VD	CM	11/11/2022

UNLESS OTHERWISE SPECIFIED:
DIMENSIONS ARE IN MILLIMETERS

ALL COPYRIGHT AND DESIGN RIGHT SUBSISTING IN THIS DOCUMENT IS THE PROPERTY OF REID LIFTING LIMITED AND MAY NOT BE REPRODUCED WITHOUT REID LIFTING'S CONSENT. THIS DOCUMENT AND THE INFORMATION CONTAINED WITHIN IT IS CONFIDENTIAL AND MAY NOT BE DISCLOSED TO ANY THIRD PARTY NOR USED FOR ANY UNAUTHORISED PURPOSE WITHOUT REID LIFTING'S CONSENT



TITLE:

**Porta-Gantry Rapide
Standard Frame WLL500kg
2000mm Beam - Castors**

DWG NO.

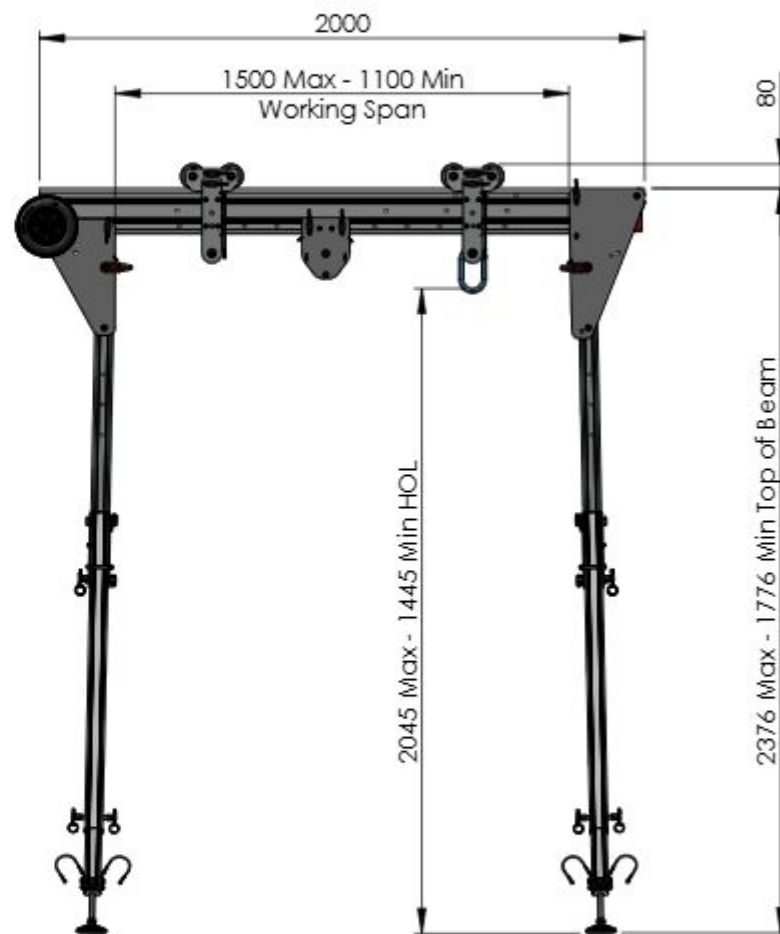
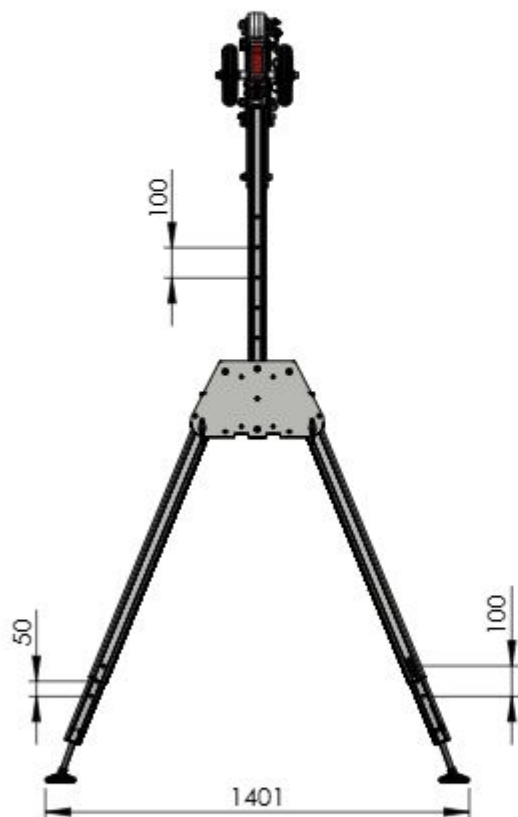
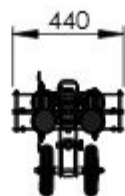
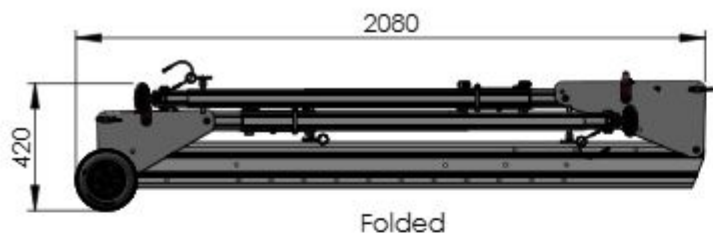
PGRS20J

A4

Estimated Weight: 37kg

1:20

SHEET 2 OF 2



DO NOT SCALE DRAWING

REVISION **02**



Reid Lifting Limited. Unit 1
Wyeview, Newhouse Farm Ind. Est.,
Chepstow, Monmouthshire.
NP16 6UD, UK
Tel +44(0) 1291 620796
Fax +44(0) 1291 626490
www.reidlifting.com
enquiries@reidlifting.com

	NAME	DATE	FINISH:
DRAWN	SS	05/07/2021	Anodised
CHK'D			MATERIAL:
APPR'D	CM	11/11/2022	Aluminium Alloy
<small>ALL COPYRIGHT AND DESIGN RIGHT SUBSISTING IN THIS DOCUMENT IS THE PROPERTY OF REID LIFTING LIMITED AND MAY NOT BE REPRODUCED WITHOUT REID LIFTING'S CONSENT. THIS DOCUMENT AND THE INFORMATION CONTAINED WITHIN IT IS CONFIDENTIAL AND MAY NOT BE DISCLOSED TO ANY THIRD PARTY NOR USED FOR ANY UNAUTHORISED PURPOSE WITHOUT REID LIFTING'S CONSENT.</small>			
<small>UNLESS OTHERWISE SPECIFIED: DIMENSIONS ARE IN MILLIMETERS</small>			

TITLE: **Porta-Gantry Rapide Standard
Frame WLL500kg 2000mm
Beam - Adjustable Feet**

DWG NO. **PGRS20K** **A4**

Estimated Weight: 37kg 1:25 SHEET 1 OF 2

General Specification

- Maximum rated capacity for goods lifting - 500kg
- Maximum rated capacity for personnel lifting - 250kg
- Beam deflection at maximum rated capacity of 500kg - 5-15 mm at centre of span
- Maximum pad surface pressure at full load - 0.43 MPa
- Assembled gantry weight (excluding trolleys) - 37kg
- All welding to BS EN ISO 15614-2: 2005 by certified welders.
- For further details and assembly information refer to Operations and Maintenance Manual for Porta Gantry Rapide Product. (available at www.reidlifting.com)

Fall Protection Standards

- Certified to EN795:2012 Type B & supplied under PPE Regulation 2016/425
- Notified Body Witness tested to the requirements of PD CEN/TS16415:2013 for 3 persons
- Exceeds the requirements of IRATA ICOP & BS7985 (15kN MBL)

Materials & Finishes

- Frame and beam - 6082 T6 Aluminium alloy. Anodised.
- Castors - Steel. Bright Zinc Plated.
- Castor Wheels & Rollers - Nylon & Rubber
- Fixings - Steel. Grade 12:9. Bright Zinc Plated.

Note: Trolleys & Sheave Carrier shown in system as a reference



Approved

DO NOT SCALE DRAWING

REVISION **02**



Reid Lifting Limited. Unit 1
Wyeview, Newhouse Farm Ind. Est.,
Chepstow, Monmouthshire.
NP16 6UD, UK

Tel +44(0)1291 620796
Fax: +44(0)1291 626490

www.reidlifting.com

enquiries@reidlifting.com

	NAME	DATE
DRAWN	SS	05/07/2021
CHK'D		
APP'VD	CM	11/11/2022

UNLESS OTHERWISE SPECIFIED:
DIMENSIONS ARE IN MILLIMETERS

ALL COPYRIGHT AND DESIGN RIGHT SUBSISTING IN THIS DOCUMENT IS THE PROPERTY OF REID LIFTING LIMITED AND MAY NOT BE REPRODUCED WITHOUT REID LIFTING'S CONSENT. THIS DOCUMENT AND THE INFORMATION CONTAINED WITHIN IT IS CONFIDENTIAL AND MAY NOT BE DISCLOSED TO ANY THIRD PARTY NOR USED FOR ANY UNAUTHORIZED PURPOSE WITHOUT REID LIFTING'S CONSENT



TITLE:

**Porta-Gantry Rapide Standard
Frame WLL500kg 2000mm
Beam - Adjustable Feet**

DWG NO.

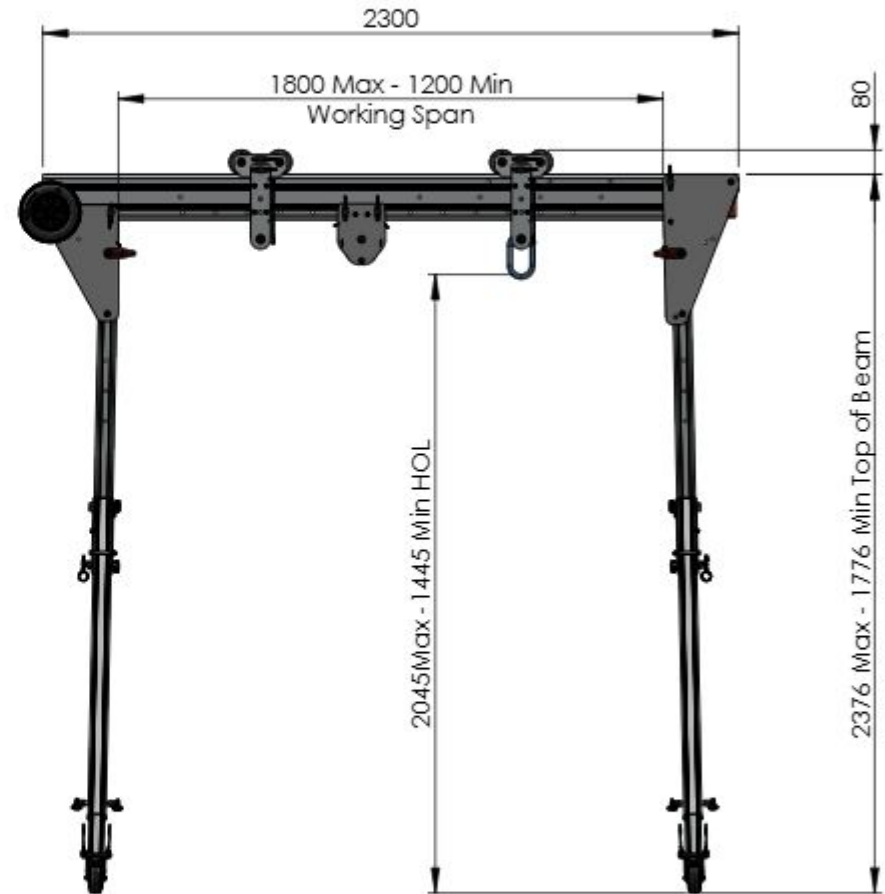
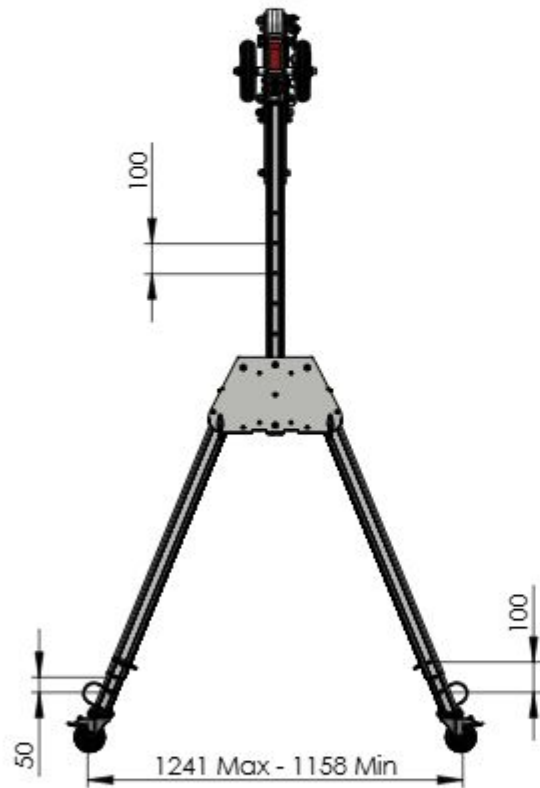
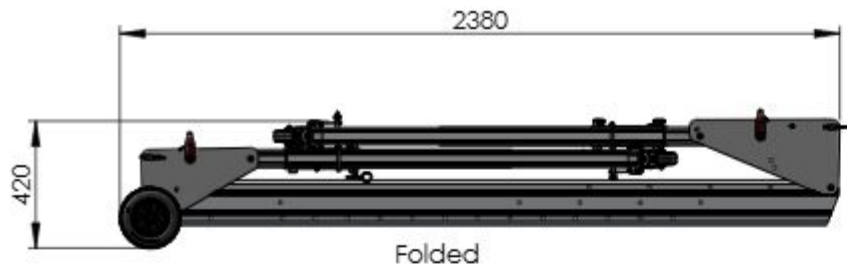
PGRS20K

A4

Estimated Weight: 37kg

1:20

SHEET 2 OF 2



DO NOT SCALE DRAWING

REVISION **02**



Reid Lifting Limited. Unit 1
Wyeview, Newhouse Farm Ind. Est.,
Chepstow, Monmouthshire,
NP16 6UD, UK

Tel +44(0) 1291 620796
Fax +44(0) 1291 626490

www.reidlifting.com

enquiries@reidlifting.com

	NAME	DATE	FINISH:
DRAWN	SS	21/06/2021	Anodised
CHK'D			MATERIAL:
APPR'D	CM	11/11/2022	Aluminium Alloy
<small>ALL COPYRIGHT AND DESIGN RIGHT SUBSISTING IN THIS DOCUMENT IS THE PROPERTY OF REID LIFTING LIMITED AND MAY NOT BE REPRODUCED WITHOUT REID LIFTING'S CONSENT. THIS DOCUMENT AND THE INFORMATION CONTAINED WITHIN IT IS CONFIDENTIAL AND MAY NOT BE DISCLOSED TO ANY THIRD PARTY NOR USED FOR ANY UNAUTHORISED PURPOSE WITHOUT REID LIFTING'S CONSENT</small>			
<small>UNLESS OTHERWISE SPECIFIED: DIMENSIONS ARE IN MILLIMETERS</small>			

TITLE: **Porta-Gantry Rapide
Standard Frame WLL400kg
2300mm Beam - Castors**

DWG NO.

PGRS23J

A4

Estimated Weight: 38kg

1:25

SHEET 1 OF 2

General Specification

- Maximum rated capacity for goods lifting - 400kg
- Maximum rated capacity for personnel lifting - 200kg
- Beam deflection at maximum rated capacity of 400kg - 5-15 mm at centre of span
- Maximum castor surface pressure at full load - 7.45 MPa
- Assembled gantry weight (excluding trollies) - 38kg
- All welding to BS EN ISO 15614-2: 2005 by certified welders.
- For further details and assembly information refer to Operations and Maintenance Manual for Porta Gantry Rapide Product. (available at www.reidlifting.com)

Fall Protection Standards

- Certified to EN795:2012 Type B & supplied under PPE Regulation 2016/425
- Notified Body Witness tested to the requirements of PD CEN/TS16415:2013 for 2 persons
- Exceeds the requirements of IRATA ICOP & BS7985 (15kN MBL)

Materials & Finishes

- Frame and beam - 6082 T6 Aluminium alloy. Anodised.
- Castors - Steel. Bright Zinc Plated.
- Castor Wheels & Rollers - Nylon & Rubber
- Fixings - Steel. Grade 12:9. Bright Zinc Plated.

Note: Trolleys & Sheave Carrier shown in system as a reference



DO NOT SCALE DRAWING

REVISION

02

REID
LIFTING

Reid Lifting Limited. Unit 1
Wyeview, Newhouse Farm Ind. Est.,
Chepstow, Monmouthshire.
NP16 6UD, UK

Tel +44(0)1291 620796
Fax: +44(0)1291 626490

www.reidlifting.com

enquiries@reidlifting.com

	NAME	DATE
DRAWN	SS	21/06/2021
CHK'D		
APP'VD	CM	11/11/2022

UNLESS OTHERWISE SPECIFIED:
DIMENSIONS ARE IN MILLIMETERS

ALL COPYRIGHT AND DESIGN RIGHT SUBSISTING IN THIS DOCUMENT IS THE PROPERTY OF REID LIFTING LIMITED AND MAY NOT BE REPRODUCED WITHOUT REID LIFTING'S CONSENT. THIS DOCUMENT AND THE INFORMATION CONTAINED WITHIN IT IS CONFIDENTIAL AND MAY NOT BE DISCLOSED TO ANY THIRD PARTY NOR USED FOR ANY UNAUTHORISED PURPOSE WITHOUT REID LIFTING'S CONSENT



TITLE:

**Porta-Gantry Rapide
Standard Frame WLL400kg
2300mm Beam - Castors**

DWG NO.

PGRS23J

A4

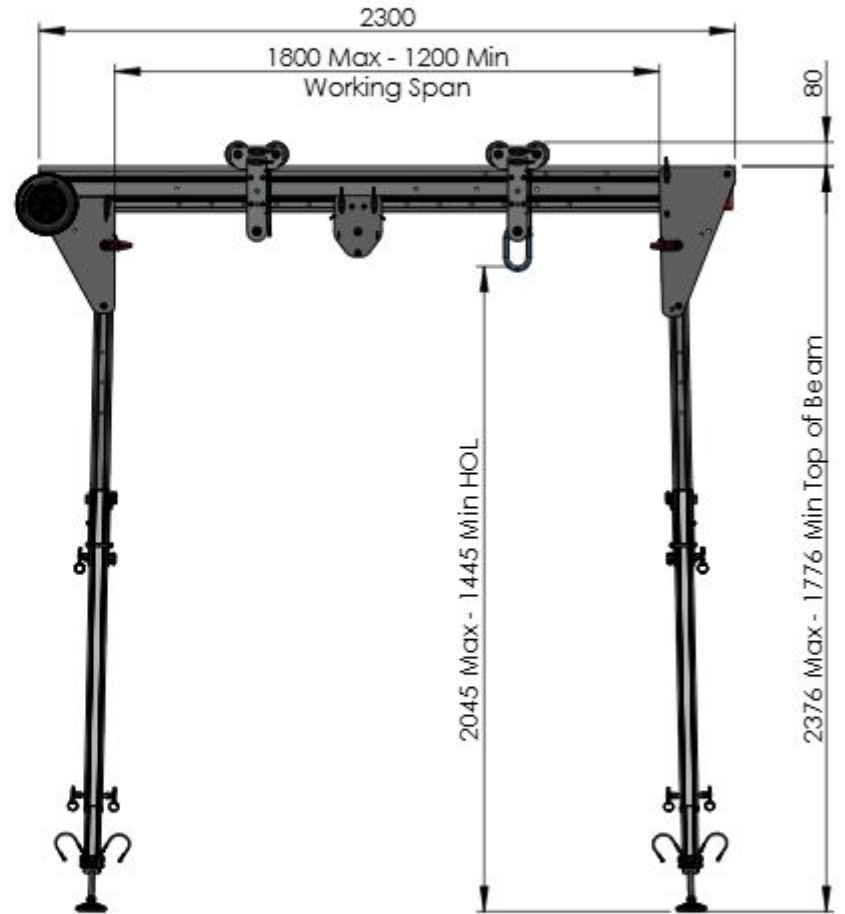
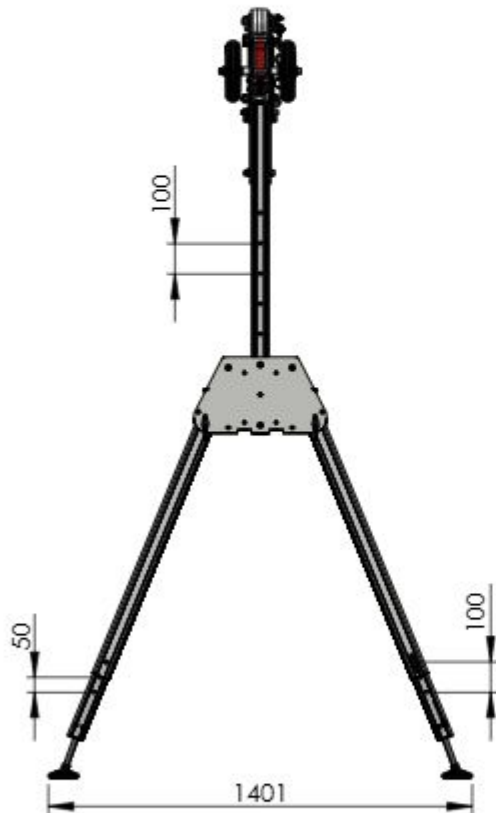
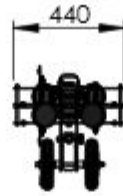
Estimated Weight: 38kg

1:20

SHEET 2 OF 2



Folded



DO NOT SCALE DRAWING

REVISION **02**



Reid Lifting Limited. Unit 1
Wyeview, Newhouse Farm Ind. Est.,
Chepstow, Monmouthshire.
NP16 6UD, UK

Tel +44(0) 1291 620796
Fax +44(0) 1291 626490

www.reidlifting.com

enquiries@reidlifting.com

	NAME	DATE	FINISH:
DRAWN	SS	05/07/2021	Anodised
CHK'D			MATERIAL:
APPR'D	CM	11/11/2022	Aluminium Alloy
<small>ALL COPYRIGHT AND DESIGN RIGHT SUBSISTING IN THIS DOCUMENT IS THE PROPERTY OF REID LIFTING LIMITED AND MAY NOT BE REPRODUCED WITHOUT REID LIFTING'S CONSENT. THIS DOCUMENT AND THE INFORMATION CONTAINED WITHIN IT IS CONFIDENTIAL AND MAY NOT BE DISCLOSED TO ANY THIRD PARTY NOR USED FOR ANY UNAUTHORISED PURPOSE WITHOUT REID LIFTING'S CONSENT.</small>			
<small>UNLESS OTHERWISE SPECIFIED: DIMENSIONS ARE IN MILLIMETERS</small>			

TITLE: **Porta-Gantry Rapide Standard
Frame WLL400kg 2300mm
Beam - Adjustable Feet**

DWG NO. **PGRS23K** **A4**

Estimated Weight: 38kg 1:25 SHEET 1 OF 2

General Specification

- Maximum rated capacity for goods lifting - 400kg
- Maximum rated capacity for personnel lifting - 200kg
- Beam deflection at maximum rated capacity of 400kg - 5-15 mm at centre of span
- Maximum pad surface pressure at full load - 0.35 MPa
- Assembled gantry weight (excluding trollies) - 38kg
- All welding to BS EN ISO 15614-2: 2005 by certified welders.
- For further details and assembly information refer to Operations and Maintenance Manual for Porta Gantry Rapide Product. (available at www.reidlifting.com)

Fall Protection Standards

- Certified to EN795:2012 Type B & supplied under PPE Regulation 2016/425
- Notified Body Witness tested to the requirements of PD CEN/TS16415:2013 for 2 persons
- Exceeds the requirements of IRATA ICOP & BS7985 (15kN MBL)

Materials & Finishes

- Frame and beam - 6082 T6 Aluminium alloy. Anodised.
- Castors - Steel. Bright Zinc Plated.
- Castor Wheels & Rollers - Nylon & Rubber
- Fixings - Steel. Grade 12:9. Bright Zinc Plated.

Note: Trolleys & Sheave Carrier shown in system as a reference



Approved

DO NOT SCALE DRAWING

REVISION

02



Reid Lifting Limited. Unit 1
Wyeview, Newhouse Farm Ind. Est.,
Chepstow, Monmouthshire.
NP16 6UD, UK

Tel +44(0)1291 620796
Fax: +44(0)1291 626490

www.reidlifting.com

enquiries@reidlifting.com

	NAME	DATE
DRAWN	SS	05/07/2021
CHK'D		
APP'VD	CM	11/11/2022

UNLESS OTHERWISE SPECIFIED:
DIMENSIONS ARE IN MILLIMETERS

ALL COPYRIGHT AND DESIGN RIGHT SUBSISTING IN THIS DOCUMENT IS THE PROPERTY OF REID LIFTING LIMITED AND MAY NOT BE REPRODUCED WITHOUT REID LIFTING'S CONSENT. THIS DOCUMENT AND THE INFORMATION CONTAINED WITHIN IT IS CONFIDENTIAL AND MAY NOT BE DISCLOSED TO ANY THIRD PARTY NOR USED FOR ANY UNAUTHORISED PURPOSE WITHOUT REID LIFTING'S CONSENT



TITLE: **Porta-Gantry Rapide Standard
Frame WLL400kg 2300mm
Beam - Adjustable Feet**

DWG NO.

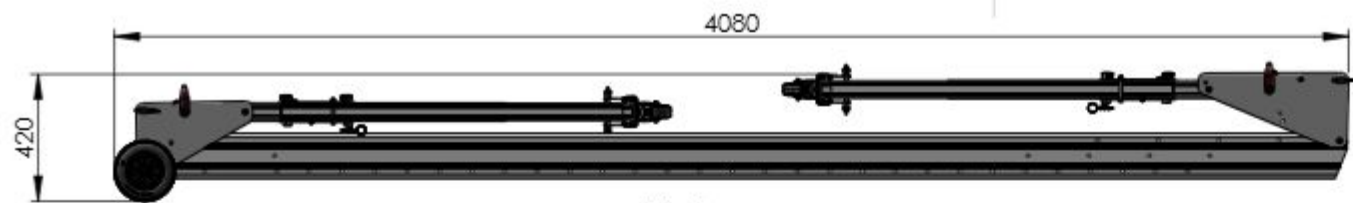
PGRS23K

A4

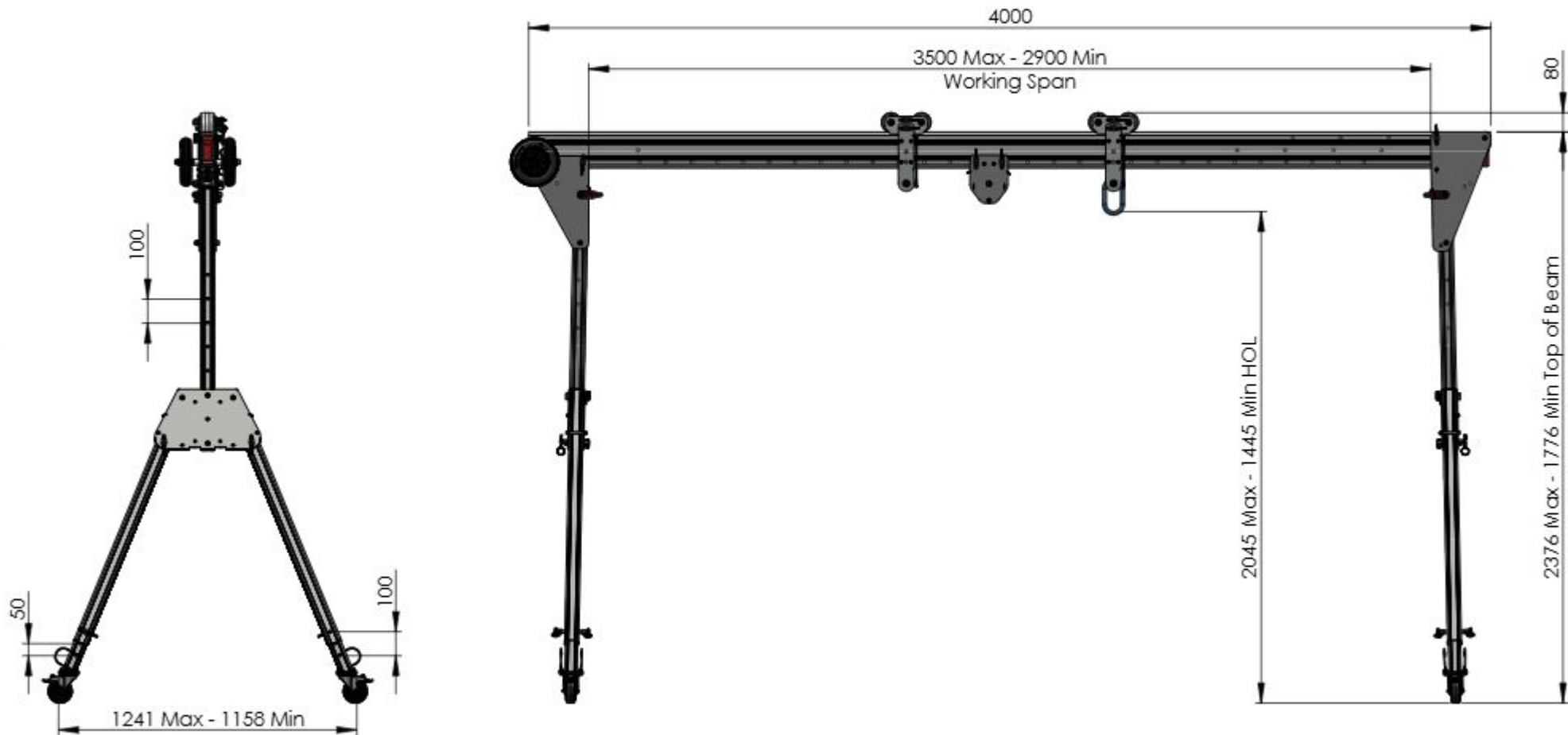
Estimated Weight: 38kg

1:20

SHEET 2 OF 2



Folded



DO NOT SCALE DRAWING

REVISION **02**



Reid Lifting Limited. Unit 1
Wyeview, Newhouse Farm Ind. Est.,
Chepstow, Monmouthshire.
NP16 6UD, UK

Tel +44(0) 1291 620796
Fax +44(0) 1291 626490

www.reidlifting.com

enquiries@reidlifting.com

	NAME	DATE	FINISH:
DRAWN	SS	22/06/2021	Anodised
CHK'D			MATERIAL:
APPR'D	CM	11/11/2022	Aluminium Alloy
<small>ALL COPYRIGHT AND DESIGN RIGHT SUBSISTING IN THIS DOCUMENT IS THE PROPERTY OF REID LIFTING LIMITED AND MAY NOT BE REPRODUCED WITHOUT REID LIFTING'S CONSENT. THIS DOCUMENT AND THE INFORMATION CONTAINED WITHIN IT IS CONFIDENTIAL AND MAY NOT BE DISCLOSED TO ANY THIRD PARTY NOR USED FOR ANY UNAUTHORISED PURPOSE WITHOUT REID LIFTING'S CONSENT.</small>			
<small>UNLESS OTHERWISE SPECIFIED: DIMENSIONS ARE IN MILLIMETERS</small>			

TITLE: **Porta-Gantry Rapide Small
Frame WLL250kg 4000mm
Beam - Castors**

DWG NO. **PGRS40J** **A4**

Estimated Weight: 43kg 1:25 SHEET 1 OF 2

General Specification

- Maximum rated capacity for goods lifting - 250kg
- Maximum rated capacity for personnel lifting - 125kg
- Beam deflection at maximum rated capacity of 250kg - 5-15 mm at centre of span
- Maximum castor surface pressure at full load - 5.00 MPa
- Assembled gantry weight (excluding trolleys) - 43kg
- All welding to BS EN ISO 15614-2: 2005 by certified welders.
- For further details and assembly information refer to Operations and Maintenance Manual for Porta Gantry Rapide Product. (available at www.reidlifting.com)

Fall Protection Standards

- Certified to EN795:2012 Type B & supplied under PPE Regulation 2016/425
- Exceeds the requirements of IRATA ICOP & BS7985 (15kN MBL)

Materials & Finishes

- Frame and beam - 6082 T6 Aluminium alloy. Anodised.
- Castors - Steel. Bright Zinc Plated.
- Castor Wheels & Rollers - Nylon & Rubber
- Fixings - Steel. Grade 12:9. Bright Zinc Plated.



DO NOT SCALE DRAWING

REVISION

02

REID
LIFTING

Reid Lifting Limited. Unit 1
Wyeview, Newhouse Farm Ind. Est.,
Chepstow, Monmouthshire.
NP16 6UD, UK

Tel +44(0)1291 620796
Fax: +44(0)1291 626490

www.reidlifting.com

enquiries@reidlifting.com

	NAME	DATE
DRAWN	SS	22/06/2021
CHK'D		
APP'VD	CM	11/11/2022

UNLESS OTHERWISE SPECIFIED:
DIMENSIONS ARE IN MILLIMETERS

ALL COPYRIGHT AND DESIGN RIGHT SUBSISTING IN THIS DOCUMENT IS THE PROPERTY OF REID LIFTING LIMITED AND MAY NOT BE REPRODUCED WITHOUT REID LIFTING'S CONSENT. THIS DOCUMENT AND THE INFORMATION CONTAINED WITHIN IT IS CONFIDENTIAL AND MAY NOT BE DISCLOSED TO ANY THIRD PARTY NOR USED FOR ANY UNAUTHORISED PURPOSE WITHOUT REID LIFTING'S CONSENT



TITLE: **Porta-Gantry Rapide Small Frame WLL250kg 4000mm Beam - Castors**

DWG NO.

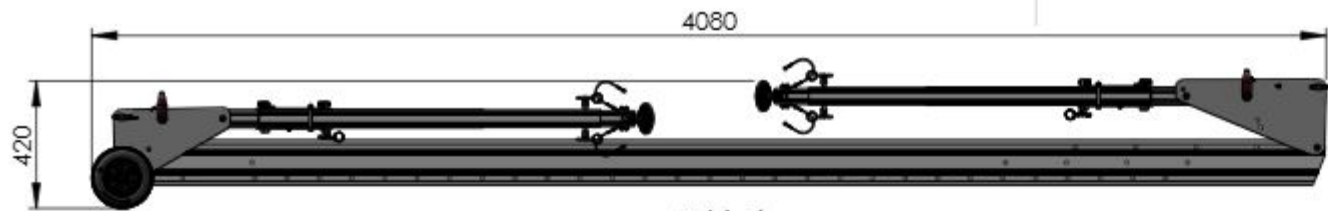
PGRS40J

A4

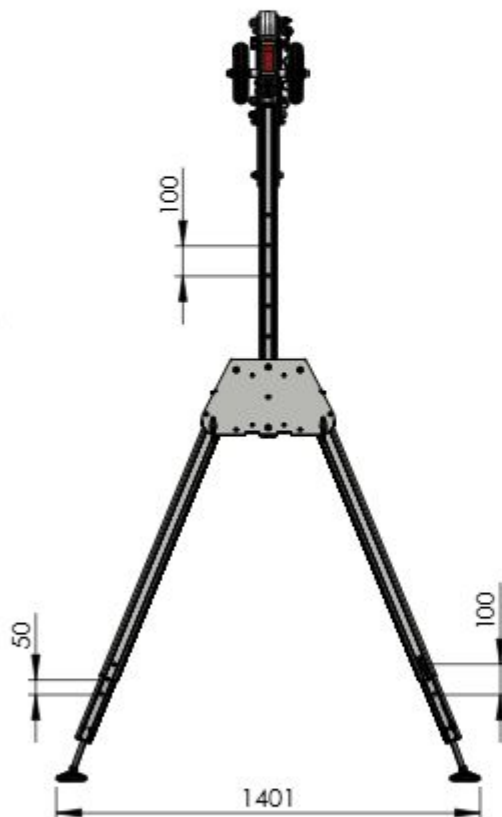
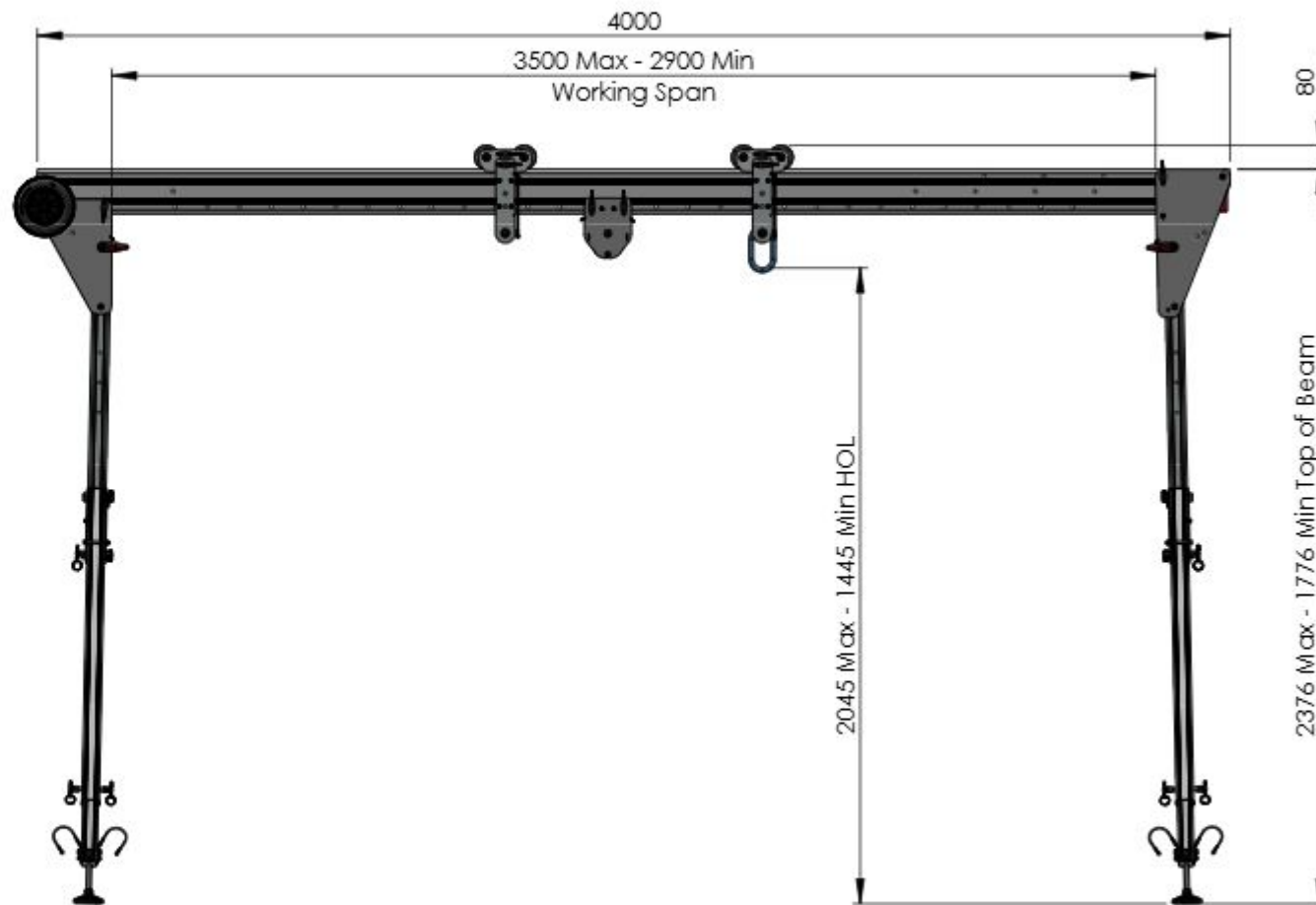
Estimated Weight: 43kg

1:25

SHEET 2 OF 2



Folded



DO NOT SCALE DRAWING

REVISION **02**



Reid Lifting Limited. Unit 1
Wyeview, Newhouse Farm Ind. Est.,
Chepstow, Monmouthshire,
NP16 6UD, UK

Tel +44(0) 1291 620796
Fax +44(0) 1291 626490

www.reidlifting.com

enquiries@reidlifting.com

	NAME	DATE	FINISH:
DRAWN	SS	05/07/2021	Anodised
CHK'D			MATERIAL:
APPR'D	CM	11/11/2022	Aluminium Alloy
<small>ALL COPYRIGHT AND DESIGN RIGHT SUBSISTING IN THIS DOCUMENT IS THE PROPERTY OF REID LIFTING LIMITED AND MAY NOT BE REPRODUCED WITHOUT REID LIFTING'S CONSENT. THIS DOCUMENT AND THE INFORMATION CONTAINED WITHIN IT IS CONFIDENTIAL AND MAY NOT BE DISCLOSED TO ANY THIRD PARTY NOR USED FOR ANY UNAUTHORISED PURPOSE WITHOUT REID LIFTING'S CONSENT.</small>			
<small>UNLESS OTHERWISE SPECIFIED: DIMENSIONS ARE IN MILLIMETERS</small>			



TITLE: **Porta-Gantry Rapide Small Frame WLL250kg 4000mm Beam - Adjustable Feet**

DWG NO. **PGRS40K** **A4**

Estimated Weight: 43kg 1:25 SHEET 1 OF 2

General Specification

- Maximum rated capacity for goods lifting - 250kg
- Maximum rated capacity for personnel lifting - 125kg
- Beam deflection at maximum rated capacity of 250kg - 5-15 mm at centre of span
- Maximum pad surface pressure at full load - 0.23 MPa
- Assembled gantry weight (excluding trolleys) - 43kg
- All welding to BS EN ISO 15614-2: 2005 by certified welders.
- For further details and assembly information refer to Operations and Maintenance Manual for Porta Gantry Rapide Product. (available at www.reidlifting.com)

Fall Protection Standards

- Certified to EN795:2012 Type B & supplied under PPE Regulation 2016/425
- Exceeds the requirements of IRATA ICOP & BS7985 (15kN MBL)

Materials & Finishes

- Frame and beam - 6082 T6 Aluminium alloy. Anodised.
- Castors - Steel. Bright Zinc Plated.
- Castor Wheels & Rollers - Nylon & Rubber
- Fixings - Steel. Grade 12.9. Bright Zinc Plated.



DO NOT SCALE DRAWING

REVISION **02**



Reid Lifting Limited. Unit 1
Wyeview, Newhouse Farm Ind. Est.,
Chepstow, Monmouthshire.
NP16 6UD, UK

Tel +44(0)1291 620796
Fax: +44(0)1291 626490

www.reidlifting.com

enquiries@reidlifting.com

	NAME	DATE
DRAWN	SS	05/07/2021
CHK'D		
APP'VD	CM	11/11/2022

UNLESS OTHERWISE SPECIFIED:
DIMENSIONS ARE IN MILLIMETERS

ALL COPYRIGHT AND DESIGN RIGHT SUBSISTING IN THIS DOCUMENT IS THE PROPERTY OF REID LIFTING LIMITED AND MAY NOT BE REPRODUCED WITHOUT REID LIFTING'S CONSENT. THIS DOCUMENT AND THE INFORMATION CONTAINED WITHIN IT IS CONFIDENTIAL AND MAY NOT BE DISCLOSED TO ANY THIRD PARTY NOR USED FOR ANY UNAUTHORISED PURPOSE WITHOUT REID LIFTING'S CONSENT



TITLE: **Porta-Gantry Rapide Small Frame WLL250kg 4000mm Beam - Adjustable Feet**

DWG NO.

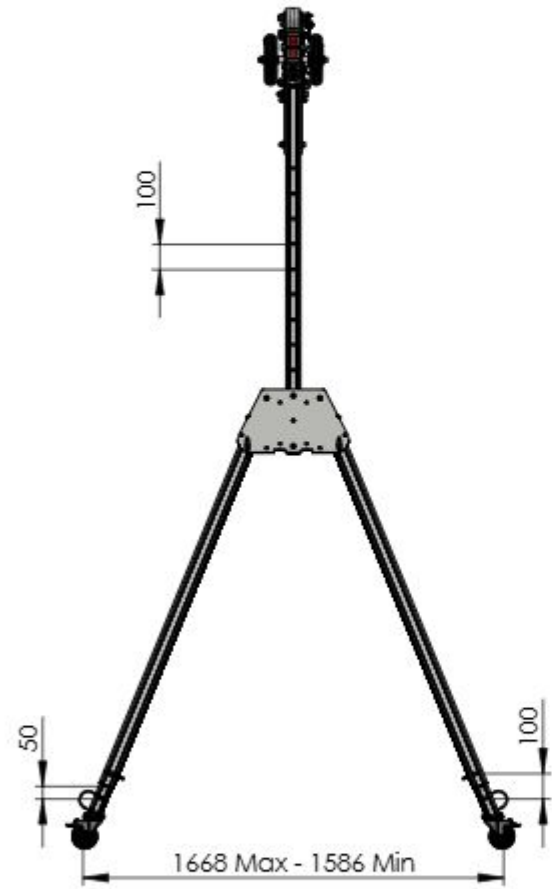
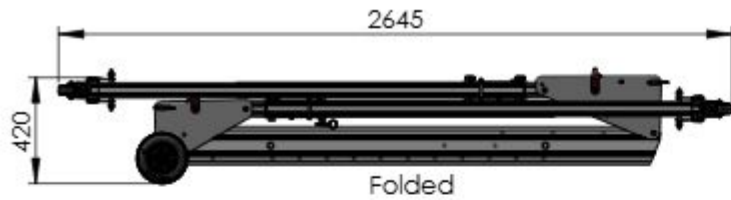
PGRS40K

A4

Estimated Weight: 43kg

1:25

SHEET 2 OF 2



DO NOT SCALE DRAWING

REVISION **02**



Reid Lifting Limited. Unit 1
Wyeview, Newhouse Farm Ind. Est.,
Chepstow, Monmouthshire.
NP16 6UD, UK
Tel +44(0) 1291 620796
Fax +44(0) 1291 626490
www.reidlifting.com
enquiries@reidlifting.com

	NAME	DATE	FINISH:
DRAWN	SS	30/06/2021	Anodised
CHK'D			MATERIAL:
APPR'D	CM	11/11/2022	Aluminium Alloy
<small>ALL COPYRIGHT AND DESIGN RIGHT SUBSISTING IN THIS DOCUMENT IS THE PROPERTY OF REID LIFTING LIMITED AND MAY NOT BE REPRODUCED WITHOUT REID LIFTING'S CONSENT. THIS DOCUMENT AND THE INFORMATION CONTAINED WITHIN IT IS CONFIDENTIAL AND MAY NOT BE DISCLOSED TO ANY THIRD PARTY NOR USED FOR ANY UNAUTHORISED PURPOSE WITHOUT REID LIFTING'S CONSENT</small>			
<small>UNLESS OTHERWISE SPECIFIED: DIMENSIONS ARE IN MILLIMETERS</small>			

TITLE: **Porta-Gantry Rapide Tall Frame WLL250kg 2000mm Beam - Castors**

DWG NO.	PGRT20J	A4
Estimated Weight:	42kg	1:30
		SHEET 1 OF 2

General Specification

- Maximum rated capacity for goods lifting - 250kg
- Maximum rated capacity for personnel lifting - 125kg
- Beam deflection at maximum rated capacity of 250kg - 5-15 mm at centre of span
- Maximum castor surface pressure at full load - 4.98 MPa
- Assembled gantry weight (excluding trolleys) - 42kg
- All welding to BS EN ISO 15614-2: 2005 by certified welders.
- For further details and assembly information refer to Operations and Maintenance Manual for Porta Gantry Rapide Product. (available at www.reidlifting.com)

Fall Protection Standards

- Certified to EN795:2012 Type B & supplied under PPE Regulation 2016/425
- Exceeds the requirements of IRATA ICOP & BS7985 (15kN MBL)

Materials & Finishes

- Frame and beam - 6082 T6 Aluminium alloy. Anodised.
- Castors - Steel. Bright Zinc Plated.
- Castor Wheels & Rollers - Nylon & Rubber
- Fixings - Steel. Grade 12:9. Bright Zinc Plated.

Note: Trolleys & Sheave Carrier shown in system as a reference



DO NOT SCALE DRAWING

REVISION **02**



Reid Lifting Limited. Unit 1
Wyeview, Newhouse Farm Ind. Est.,
Chepstow, Monmouthshire.
NP16 6UD, UK

Tel +44(0)1291 620796
Fax: +44(0)1291 626490

www.reidlifting.com

enquiries@reidlifting.com

	NAME	DATE
DRAWN	SS	30/06/2021
CHK'D		
APP'VD	CM	11/11/2022

UNLESS OTHERWISE SPECIFIED:
DIMENSIONS ARE IN MILLIMETERS

ALL COPYRIGHT AND DESIGN RIGHT SUBSISTING IN THIS DOCUMENT IS THE PROPERTY OF REID LIFTING LIMITED AND MAY NOT BE REPRODUCED WITHOUT REID LIFTING'S CONSENT. THIS DOCUMENT AND THE INFORMATION CONTAINED WITHIN IT IS CONFIDENTIAL AND MAY NOT BE DISCLOSED TO ANY THIRD PARTY NOR USED FOR ANY UNAUTHORISED PURPOSE WITHOUT REID LIFTING'S CONSENT



TITLE: **Porta-Gantry Rapide Tall
Frame WLL250kg 2000mm
Beam - Castors**

DWG NO.

PGRT20J

A4

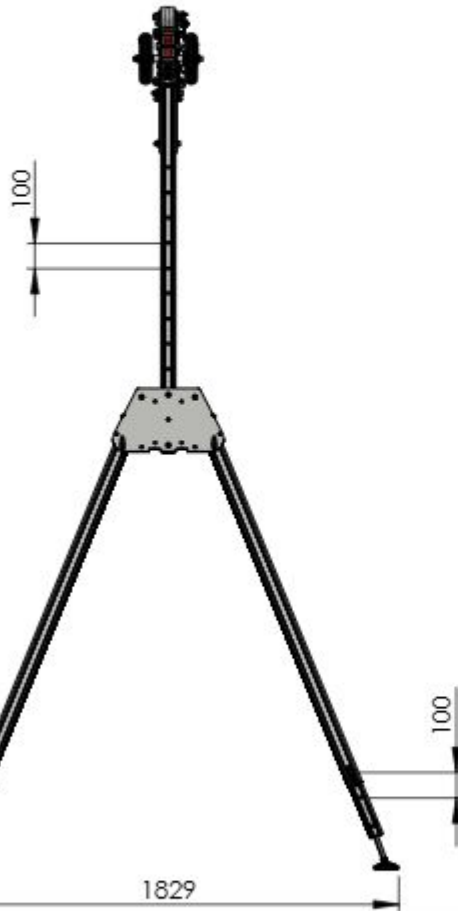
Estimated Weight: 42kg

1:25

SHEET 2 OF 2



Folded



DO NOT SCALE DRAWING

REVISION **02**



Reid Lifting Limited. Unit 1
Wyeview, Newhouse Farm Ind. Est.,
Chepstow, Monmouthshire.
NP16 6UD, UK

Tel +44(0) 1291 620796
Fax +44(0) 1291 626490

www.reidlifting.com

enquiries@reidlifting.com

	NAME	DATE	FINISH:
DRAWN	SS	05/07/2021	Anodised
CHK'D			MATERIAL:
APP'VD	CM	11/11/2022	Aluminium Alloy
<small>ALL COPYRIGHT AND DESIGN RIGHT SUBSISTING IN THIS DOCUMENT IS THE PROPERTY OF REID LIFTING LIMITED AND MAY NOT BE REPRODUCED WITHOUT REID LIFTING'S CONSENT. THIS DOCUMENT AND THE INFORMATION CONTAINED WITHIN IT IS CONFIDENTIAL AND MAY NOT BE DISCLOSED TO ANY THIRD PARTY NOR USED FOR ANY UNAUTHORISED PURPOSE WITHOUT REID LIFTING'S CONSENT</small>			
<small>UNLESS OTHERWISE SPECIFIED: DIMENSIONS ARE IN MILLIMETERS</small>			



TITLE: **Porta-Gantry Rapide Tall Frame WLL250kg 2000mm Beam - Adjustable Feet**

DWG NO.

PGRT20K

A4

Estimated Weight: 42kg

1:30

SHEET 1 OF 2

General Specification

- Maximum rated capacity for goods lifting - 250kg
- Maximum rated capacity for personnel lifting - 125kg
- Beam deflection at maximum rated capacity of 250kg - 5-15 mm at centre of span
- Maximum pad surface pressure at full load - 0.23 MPa
- Assembled gantry weight (excluding trolleys) - 42kg
- All welding to BS EN ISO 15614-2: 2005 by certified welders.
- For further details and assembly information refer to Operations and Maintenance Manual for Porta Gantry Rapide Product. (available at www.reidlifting.com)

Fall Protection Standards

- Certified to EN795:2012 Type B & supplied under PPE Regulation 2016/425
- Exceeds the requirements of IRATA ICOP & BS7985 (15kN MBL)

Materials & Finishes

- Frame and beam - 6082 T6 Aluminium alloy. Anodised.
- Castors - Steel. Bright Zinc Plated.
- Castor Wheels & Rollers - Nylon & Rubber
- Fixings - Steel. Grade 12:9. Bright Zinc Plated.

Note: Trolleys & Sheave Carrier shown in system as a reference



DO NOT SCALE DRAWING

REVISION **02**



Reid Lifting Limited. Unit 1
Wyeview, Newhouse Farm Ind. Est.,
Chepstow, Monmouthshire.
NP16 6UD, UK

Tel +44(0)1291 620796
Fax: +44(0)1291 626490

www.reidlifting.com

enquiries@reidlifting.com

	NAME	DATE
DRAWN	SS	05/07/2021
CHK'D		
APPR'D	CM	11/11/2022

UNLESS OTHERWISE SPECIFIED:
DIMENSIONS ARE IN MILLIMETERS

ALL COPYRIGHT AND DESIGN RIGHT SUBSISTING IN THIS DOCUMENT IS THE PROPERTY OF REID LIFTING LIMITED AND MAY NOT BE REPRODUCED WITHOUT REID LIFTING'S CONSENT. THIS DOCUMENT AND THE INFORMATION CONTAINED WITHIN IT IS CONFIDENTIAL AND MAY NOT BE DISCLOSED TO ANY THIRD PARTY NOR USED FOR ANY UNAUTHORIZED PURPOSE WITHOUT REID LIFTING'S CONSENT



TITLE: **Porta-Gantry Rapide Tall Frame WLL250kg 2000mm Beam - Adjustable Feet**

DWG NO.

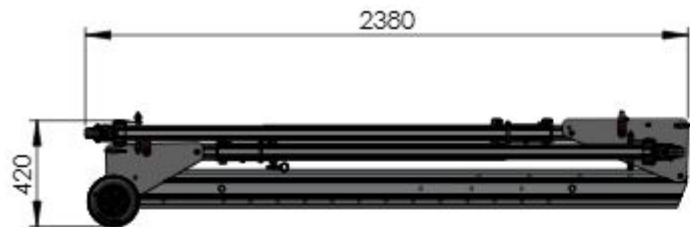
PGRT20K

A4

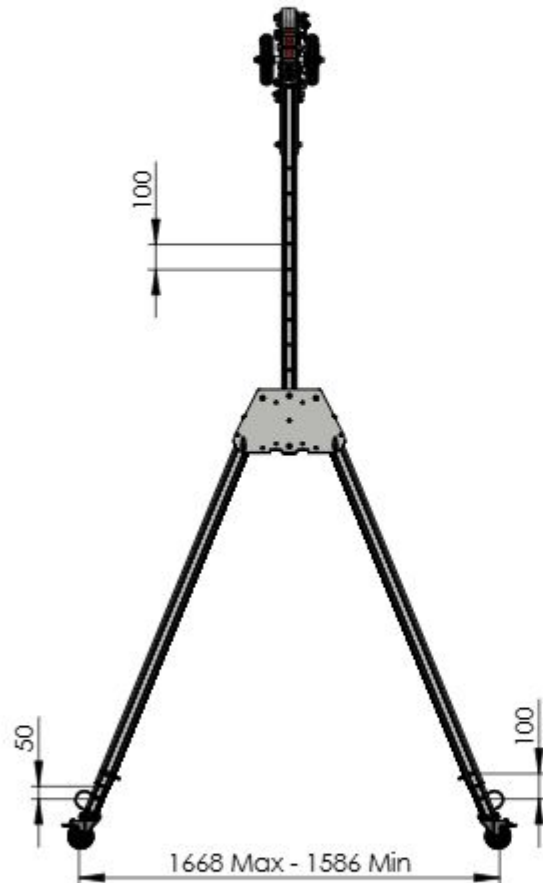
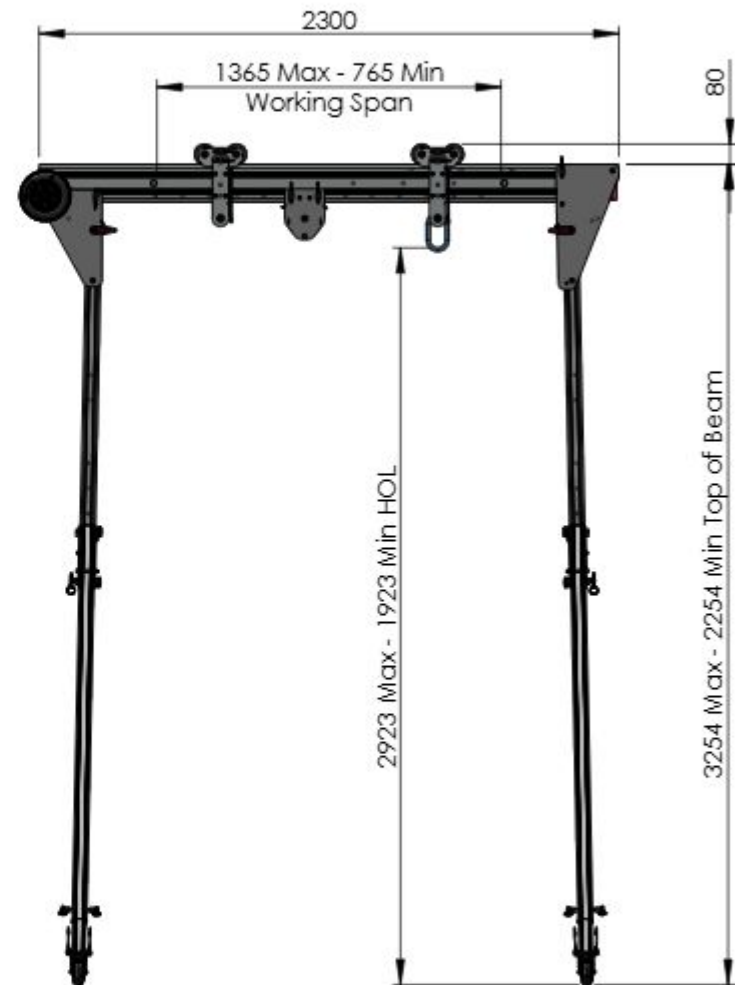
Estimated Weight: 42kg

1:25

SHEET 2 OF 2



Folded



DO NOT SCALE DRAWING

REVISION **02**



Reid Lifting Limited. Unit 1
Wyeview, Newhouse Farm Ind. Est.,
Chepstow, Monmouthshire.
NP16 6UD, UK

Tel +44(0) 1291 620796
Fax +44(0) 1291 626490

www.reidlifting.com

enquiries@reidlifting.com

	NAME	DATE	FINISH:
DRAWN	SS	30/06/2021	Anodised
CHK'D			MATERIAL:
APP'VD	CM	11/11/2022	Aluminium Alloy
<small>ALL COPYRIGHT AND DESIGN RIGHT SUBSISTING IN THIS DOCUMENT IS THE PROPERTY OF REID LIFTING LIMITED AND MAY NOT BE REPRODUCED WITHOUT REID LIFTING'S CONSENT. THIS DOCUMENT AND THE INFORMATION CONTAINED WITHIN IT IS CONFIDENTIAL AND MAY NOT BE DISCLOSED TO ANY THIRD PARTY NOR USED FOR ANY UNAUTHORISED PURPOSE WITHOUT REID LIFTING'S CONSENT</small>			
<small>UNLESS OTHERWISE SPECIFIED: DIMENSIONS ARE IN MILLIMETERS</small>			

TITLE: **Porta-Gantry Rapide Tall
Frame WLL250kg 2300mm
Beam - Castors**

DWG NO.

PGRT23J

A4

Estimated Weight: 43kg

1:30

SHEET 1 OF 2

General Specification

- Maximum rated capacity for goods lifting - 250kg
- Maximum rated capacity for personnel lifting - 125kg
- Beam deflection at maximum rated capacity of 250kg - 5-15 mm at centre of span
- Maximum castor surface pressure at full load - 5.00 MPa
- Assembled gantry weight (excluding trollies) - 43kg
- All welding to BS EN ISO 15614-2: 2005 by certified welders.
- For further details and assembly information refer to Operations and Maintenance Manual for Porta Gantry Rapide Product. (available at www.reidlifting.com)

Fall Protection Standards

- Certified to EN795:2012 Type B & supplied under PPE Regulation 2016/425
- Exceeds the requirements of IRATA ICOP & BS7985 (15kN MBL)

Materials & Finishes

- Frame and beam - 6082 T6 Aluminium alloy. Anodised.
- Castors - Steel. Bright Zinc Plated.
- Castor Wheels & Rollers - Nylon & Rubber
- Fixings - Steel. Grade 12.9. Bright Zinc Plated.

Note: Trolleys & Sheave Carrier shown in system as a reference



DO NOT SCALE DRAWING

REVISION

02

REID
LIFTING

www.reidlifting.com

Reid Lifting Limited. Unit 1
Wyeview, Newhouse Farm Ind. Est.,
Chepstow, Monmouthshire.
NP16 6UD, UK

Tel +44(0)1291 620796
Fax: +44(0)1291 626490

enquiries@reidlifting.com

	NAME	DATE
DRAWN	SS	30/06/2021
CHK'D		
APP'VD	CM	11/11/2022

UNLESS OTHERWISE SPECIFIED:
DIMENSIONS ARE IN MILLIMETERS

ALL COPYRIGHT AND DESIGN RIGHT SUBSISTING IN THIS DOCUMENT IS THE PROPERTY OF REID LIFTING LIMITED AND MAY NOT BE REPRODUCED WITHOUT REID LIFTING'S CONSENT. THIS DOCUMENT AND THE INFORMATION CONTAINED WITHIN IT IS CONFIDENTIAL AND MAY NOT BE DISCLOSED TO ANY THIRD PARTY NOR USED FOR ANY UNAUTHORISED PURPOSE WITHOUT REID LIFTING'S CONSENT



TITLE: **Porta-Gantry Rapide Tall
Frame WLL250kg 2300mm
Beam - Castors**

DWG NO.

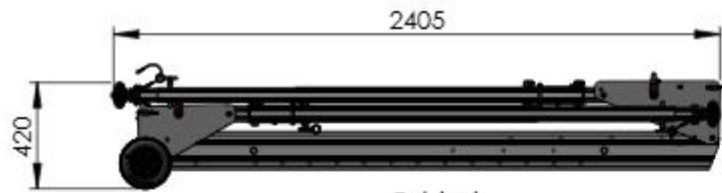
PGRT23J

A4

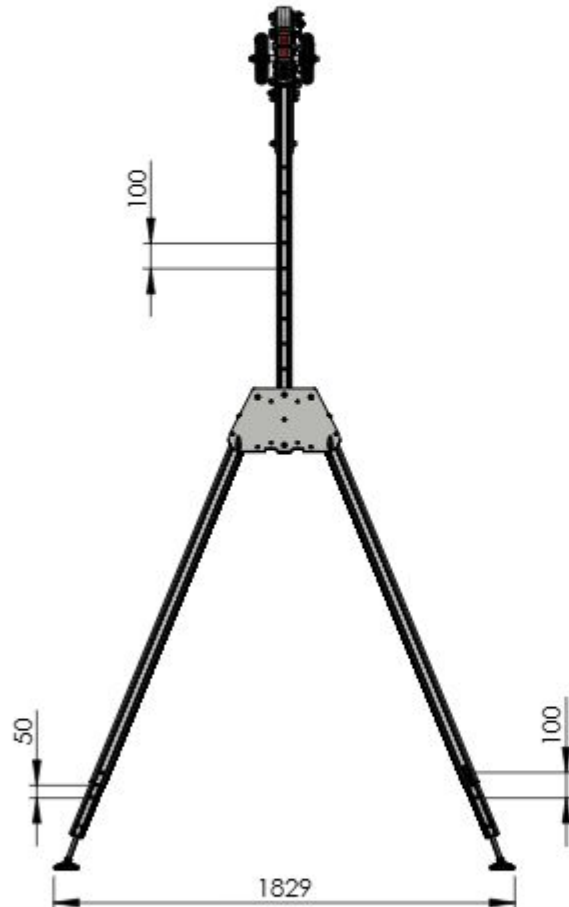
Estimated Weight: 43kg

1:25

SHEET 2 OF 2



Folded



DO NOT SCALE DRAWING

REVISION **02**



Reid Lifting Limited. Unit 1
Wyeview, Newhouse Farm Ind. Est.,
Chepstow, Monmouthshire.
NP16 6UD, UK

Tel +44(0) 1291 620796
Fax +44(0) 1291 626490

www.reidlifting.com

enquiries@reidlifting.com

	NAME	DATE	FINISH:
DRAWN	SS	05/07/2021	Anodised
CHK'D			MATERIAL:
APPR'D	CM	11/11/2022	Aluminium Alloy

ALL COPYRIGHT AND DESIGN RIGHT SUBSISTING IN THIS DOCUMENT IS THE PROPERTY OF REID LIFTING LIMITED AND MAY NOT BE REPRODUCED WITHOUT REID LIFTING'S CONSENT. THIS DOCUMENT AND THE INFORMATION CONTAINED WITHIN IT IS CONFIDENTIAL AND MAY NOT BE DISCLOSED TO ANY THIRD PARTY NOR USED FOR ANY UNAUTHORISED PURPOSE WITHOUT REID LIFTING'S CONSENT.

UNLESS OTHERWISE SPECIFIED:
DIMENSIONS ARE IN MILLIMETERS

TITLE: **Porta-Gantry Rapide Tall Frame WLL250kg 2300mm Beam - Adjustable Feet**

DWG NO. **PGRT23K** A4

Estimated Weight: 43kg 1:30 SHEET 1 OF 2

General Specification

- Maximum rated capacity for goods lifting - 250kg
- Maximum rated capacity for personnel lifting - 125kg
- Beam deflection at maximum rated capacity of 250kg - 5-15 mm at centre of span
- Maximum pad surface pressure at full load - 0.23 MPa
- Assembled gantry weight (excluding trollies) - 43kg
- All welding to BS EN ISO 15614-2: 2005 by certified welders.
- For further details and assembly information refer to Operations and Maintenance Manual for Porta Gantry Rapide Product. (available at www.reidlifting.com)

Fall Protection Standards

- Certified to EN795:2012 Type B & supplied under PPE Regulation 2016/425
- Exceeds the requirements of IRATA ICOP & BS7985 (15kN MBL)

Materials & Finishes

- Frame and beam - 6082 T6 Aluminium alloy. Anodised.
- Castors - Steel. Bright Zinc Plated.
- Castor Wheels & Rollers - Nylon & Rubber
- Fixings - Steel. Grade 12.9. Bright Zinc Plated.

Note: Trolleys & Sheave Carrier shown in system as a reference



DO NOT SCALE DRAWING

REVISION **02**

REID
LIFTING

www.reidlifting.com

Reid Lifting Limited. Unit 1
Wyeview, Newhouse Farm Ind. Est.,
Chepstow, Monmouthshire.
NP16 6UD, UK

Tel +44(0)1291 620796
Fax: +44(0)1291 626490

enquiries@reidlifting.com

	NAME	DATE
DRAWN	SS	05/07/2021
CHK'D		
APP'VD	CM	11/11/2022

UNLESS OTHERWISE SPECIFIED:
DIMENSIONS ARE IN MILLIMETERS

ALL COPYRIGHT AND DESIGN RIGHT SUBSISTING IN THIS DOCUMENT IS THE PROPERTY OF REID LIFTING LIMITED AND MAY NOT BE REPRODUCED WITHOUT REID LIFTING'S CONSENT. THIS DOCUMENT AND THE INFORMATION CONTAINED WITHIN IT IS CONFIDENTIAL AND MAY NOT BE DISCLOSED TO ANY THIRD PARTY NOR USED FOR ANY UNAUTHORISED PURPOSE WITHOUT REID LIFTING'S CONSENT



TITLE: **Porta-Gantry Rapide Tall Frame WLL250kg 2300mm Beam - Adjustable Feet**

DWG NO.

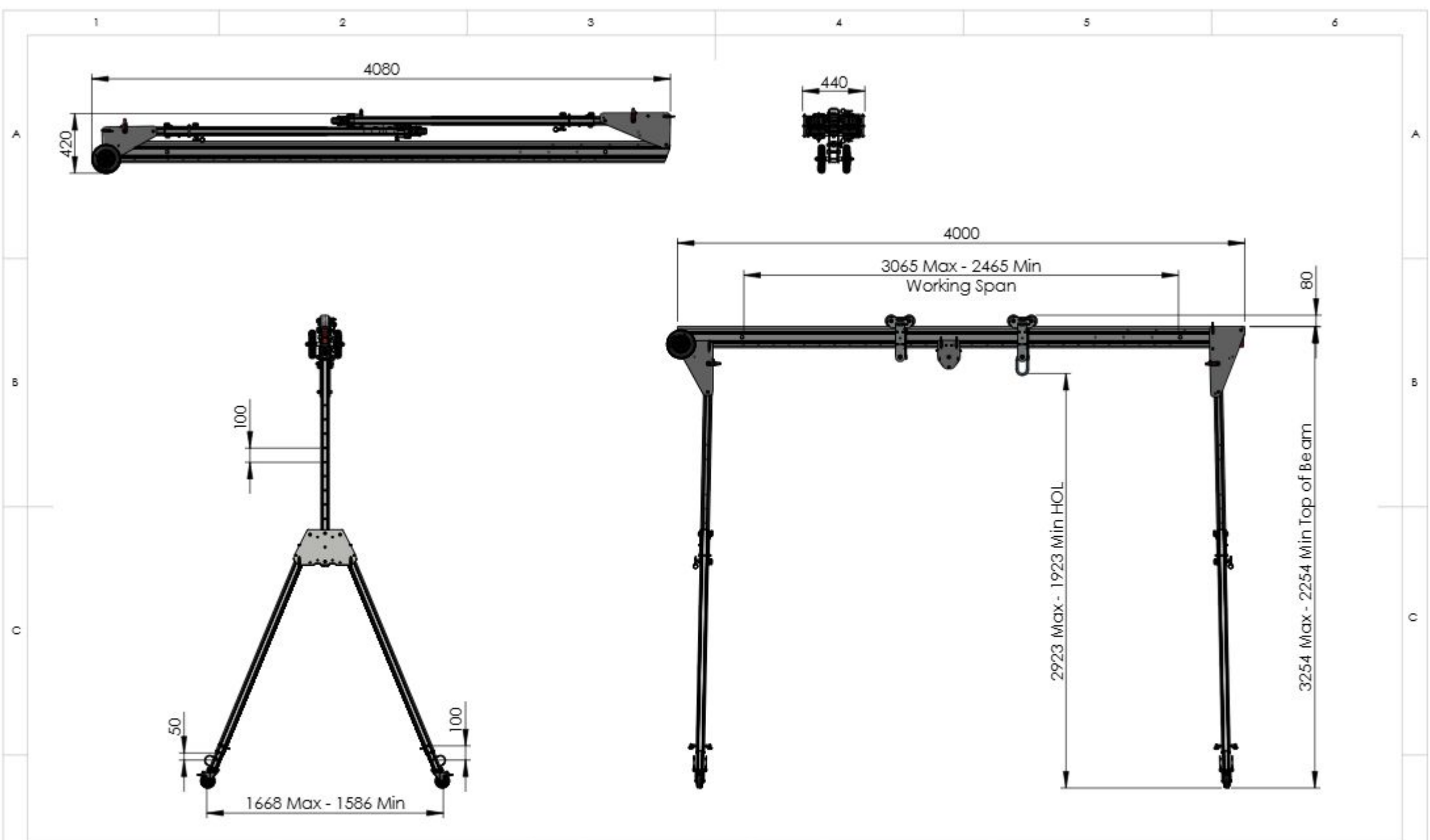
PGRT23K

A4

Estimated Weight: 43kg

1:30

SHEET 2 OF 2



DO NOT SCALE DRAWING

REVISION **02**



Reid Lifting Limited. Unit 1
Wyeview, Newhouse Farm Ind. Est.,
Chepstow, Monmouthshire.
NP16 6UD, UK

Tel +44(0) 1291 620796
Fax +44(0) 1291 626490

www.reidlifting.com

enquiries@reidlifting.com

	NAME	DATE	FINISH:
DRAWN	SS	30/06/2021	Anodised
CHK'D			MATERIAL:
APP'VD	CM	11/11/2022	Aluminium Alloy
<small>ALL COPYRIGHT AND DESIGN RIGHT SUBSISTING IN THIS DOCUMENT IS THE PROPERTY OF REID LIFTING LIMITED AND MAY NOT BE REPRODUCED WITHOUT REID LIFTING'S CONSENT. THIS DOCUMENT AND THE INFORMATION CONTAINED WITHIN IT IS CONFIDENTIAL AND MAY NOT BE DISCLOSED TO ANY THIRD PARTY NOR USED FOR ANY UNAUTHORISED PURPOSE WITHOUT REID LIFTING'S CONSENT</small>			
<small>UNLESS OTHERWISE SPECIFIED: DIMENSIONS ARE IN MILLIMETERS</small>			

TITLE: **Porta-Gantry Rapide Tall
Frame WLL250kg 4000mm
Beam - Castors**

DWG NO.

PGRT40J

A4

Estimated Weight: 48kg

1:35

SHEET 1 OF 2

General Specification

- Maximum rated capacity for goods lifting - 250kg
- Maximum rated capacity for personnel lifting - 125kg
- Beam deflection at maximum rated capacity of 250kg - 20-30 mm at centre of span
- Maximum castor surface pressure at full load - 5.08 MPa
- Assembled gantry weight (excluding trollies) - 48kg
- All welding to BS EN ISO 15614-2: 2005 by certified welders.
- For further details and assembly information refer to Operations and Maintenance Manual for Porta Gantry Rapide Product. (available at www.reidlifting.com)

Fall Protection Standards

- Certified to EN795:2012 Type B & supplied under PPE Regulation 2016/425
- Exceeds the requirements of IRATA ICOP & BS7985 (15kN MBL)

Materials & Finishes

- Frame and beam - 6082 T6 Aluminium alloy. Anodised.
- Castors - Steel. Bright Zinc Plated.
- Castor Wheels & Rollers - Nylon & Rubber
- Fixings - Steel. Grade 12.9. Bright Zinc Plated.

Note: Trolleys & Sheave Carrier shown in system as a reference



DO NOT SCALE DRAWING

REVISION

02

REID
LIFTING

Reid Lifting Limited. Unit 1
Wyeview, Newhouse Farm Ind. Est.,
Chepstow, Monmouthshire.
NP16 6UD, UK

Tel +44(0)1291 620796
Fax: +44(0)1291 626490

www.reidlifting.com

enquiries@reidlifting.com

	NAME	DATE
DRAWN	SS	30/06/2021
CHK'D		
APP'VD	CM	11/11/2022

UNLESS OTHERWISE SPECIFIED:
DIMENSIONS ARE IN MILLIMETERS

ALL COPYRIGHT AND DESIGN RIGHT SUBSISTING IN THIS DOCUMENT IS THE PROPERTY OF REID LIFTING LIMITED AND MAY NOT BE REPRODUCED WITHOUT REID LIFTING'S CONSENT. THIS DOCUMENT AND THE INFORMATION CONTAINED WITHIN IT IS CONFIDENTIAL AND MAY NOT BE DISCLOSED TO ANY THIRD PARTY NOR USED FOR ANY UNAUTHORISED PURPOSE WITHOUT REID LIFTING'S CONSENT



TITLE: **Porta-Gantry Rapide Tall
Frame WLL250kg 4000mm
Beam - Castors**

DWG NO.

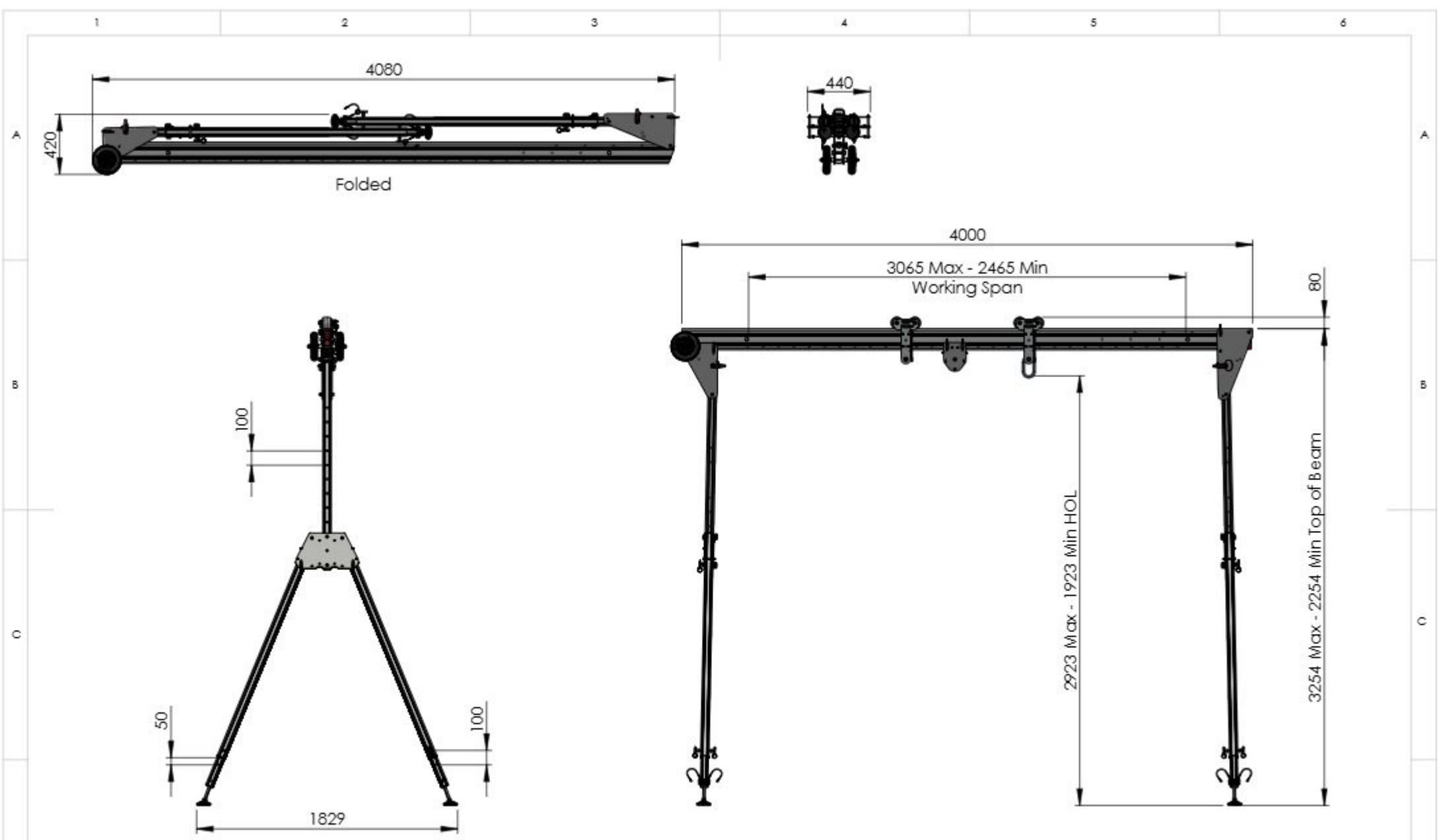
PGRT40J

A4

Estimated Weight: 48kg

1:30

SHEET 2 OF 2



DO NOT SCALE DRAWING

REVISION **02**



Reid Lifting Limited. Unit 1
Wyeview, Newhouse Farm Ind. Est.,
Chepstow, Monmouthshire.
NP16 6UD, UK

Tel +44(0) 1291 620796
Fax +44(0) 1291 626490

www.reidlifting.com

enquiries@reidlifting.com

	NAME	DATE	FINISH:
DRAWN	SS	05/07/2021	Anodised
CHK'D			MATERIAL:
APP'VD	CM	11/11/2022	Aluminium Alloy
<small>ALL COPYRIGHT AND DESIGN RIGHT SUBSISTING IN THIS DOCUMENT IS THE PROPERTY OF REID LIFTING LIMITED AND MAY NOT BE REPRODUCED WITHOUT REID LIFTING'S CONSENT. THIS DOCUMENT AND THE INFORMATION CONTAINED WITHIN IT IS CONFIDENTIAL AND MAY NOT BE DISCLOSED TO ANY THIRD PARTY NOR USED FOR ANY UNAUTHORISED PURPOSE WITHOUT REID LIFTING'S CONSENT</small>			
<small>UNLESS OTHERWISE SPECIFIED: DIMENSIONS ARE IN MILLIMETERS</small>			

TITLE: **Porta-Gantry Rapide Tall Frame WLL250kg 4000mm Beam - Adjustable Feet**

DWG NO.

PGRT40K

A4

Estimated Weight: 48kg

1:35

SHEET 1 OF 2

General Specification

- Maximum rated capacity for goods lifting - 250kg
- Maximum rated capacity for personnel lifting - 125kg
- Beam deflection at maximum rated capacity of 250kg - 20-30 mm at centre of span
- Maximum pad surface pressure at full load - 0.24 MPa
- Assembled gantry weight (excluding trollies) - 48kg
- All welding to BS EN ISO 15614-2: 2005 by certified welders.
- For further details and assembly information refer to Operations and Maintenance Manual for Porta Gantry Rapide Product. (available at www.reidlifting.com)

Fall Protection Standards

- Certified to EN795:2012 Type B & supplied under PPE Regulation 2016/425
- Exceeds the requirements of IRATA ICOP & BS7985 (15kN MBL)

Materials & Finishes

- Frame and beam - 6082 T6 Aluminium alloy. Anodised.
- Castors - Steel. Bright Zinc Plated.
- Castor Wheels & Rollers - Nylon & Rubber
- Fixings - Steel. Grade 12.9. Bright Zinc Plated.

Note: Trolleys & Sheave Carrier shown in system as a reference



DO NOT SCALE DRAWING

REVISION

02

REID
LIFTING

Reid Lifting Limited. Unit 1
Wyeview, Newhouse Farm Ind. Est.,
Chepstow, Monmouthshire.
NP16 6UD, UK

Tel +44(0)1291 620796
Fax: +44(0)1291 626490

www.reidlifting.com

enquiries@reidlifting.com

	NAME	DATE
DRAWN	SS	05/07/2021
CHK'D		
APP'VD	CM	11/11/2022

UNLESS OTHERWISE SPECIFIED:
DIMENSIONS ARE IN MILLIMETERS

ALL COPYRIGHT AND DESIGN RIGHT SUBSISTING IN THIS DOCUMENT IS THE PROPERTY OF REID LIFTING LIMITED AND MAY NOT BE REPRODUCED WITHOUT REID LIFTING'S CONSENT. THIS DOCUMENT AND THE INFORMATION CONTAINED WITHIN IT IS CONFIDENTIAL AND MAY NOT BE DISCLOSED TO ANY THIRD PARTY NOR USED FOR ANY UNAUTHORISED PURPOSE WITHOUT REID LIFTING'S CONSENT



TITLE: **Porta-Gantry Rapide Tall
Frame WLL250kg 4000mm
Beam - Adjustable Feet**

DWG NO.

PGRT40K

A4

Estimated Weight: 48kg

1:30

SHEET 2 OF 2