



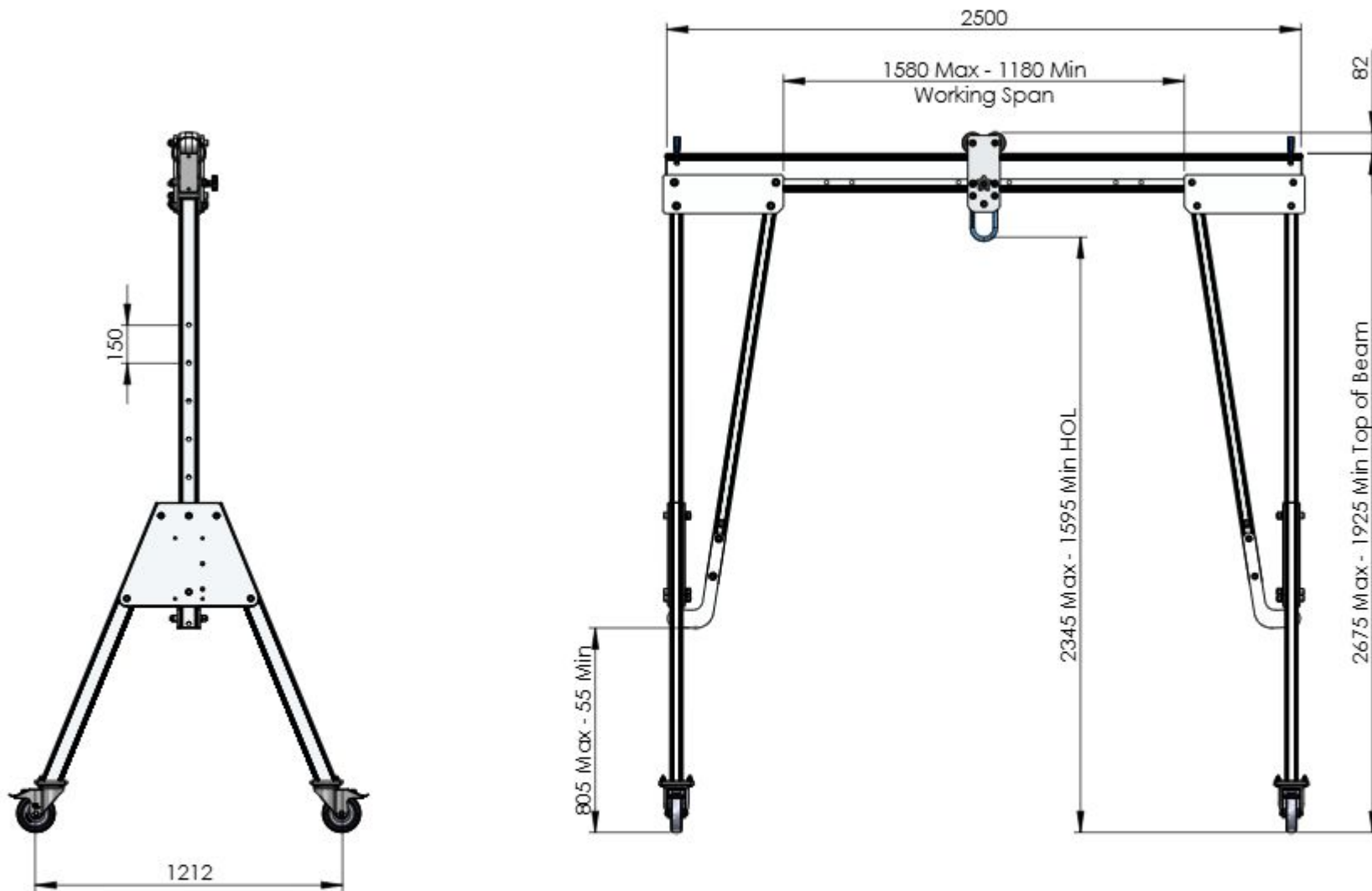
TECHNICAL DATASHEETS

# PORTAGANTRY®

1000kg



To ensure stability of the structure, the working span of the beam must be equal to or greater than the distance between castors on A-frame



DO NOT SCALE DRAWING

REVISION **02**



Reid Lifting Limited. Unit 1  
Wyeview, Newhouse Farm Ind. Est.,  
Chepstow, Monmouthshire.  
NP16 6UD, UK

Tel +44(0) 1291 620796  
Fax +44(0) 1291 626490

[www.reidlifting.com](http://www.reidlifting.com)

[enquiries@reidlifting.com](mailto:enquiries@reidlifting.com)

	NAME	DATE	FINISH:
DRAWN	TB	17/05/2021	Anodised
CHK'D			MATERIAL:
APPR'D	CM	10/03/2023	Aluminium Alloy
<small>ALL COPYRIGHT AND DESIGN RIGHT SUBSISTING IN THIS DOCUMENT IS THE PROPERTY OF REID LIFTING LIMITED AND MAY NOT BE REPRODUCED WITHOUT REID LIFTING'S CONSENT. THIS DOCUMENT AND THE INFORMATION CONTAINED WITHIN IT IS CONFIDENTIAL AND MAY NOT BE DISCLOSED TO ANY THIRD PARTY NOR USED FOR ANY UNAUTHORISED PURPOSE WITHOUT REID LIFTING'S CONSENT</small>			
<small>UNLESS OTHERWISE SPECIFIED: DIMENSIONS ARE IN MILLIMETERS</small>			



TITLE: **General Arrangement of REID Lifting Porta-Gantry Size: Small - 2500mm Beam**

DWG NO. **PGSS01000S-2500A** A4

Estimated Weight: 82 kg 1:25 SHEET 1 OF 2

## General Specification

- Maximum rated capacity for goods lifting - 1000kg
- Maximum rated capacity for personnel lifting - 500kg
- Beam deflection at maximum rated capacity of 1000kg - 5-10 mm at centre of span
- Maximum castor surface pressure at full load - 28.07 MPa
- Assembled gantry weight (excluding trolleys) - 82kg
- All welding to BS EN ISO 15614-2: 2005 by certified welders.
- For further details and assembly information refer to Operations and Maintenance Manual for Porta Gantry Product. (available at [www.reidlifting.com](http://www.reidlifting.com))

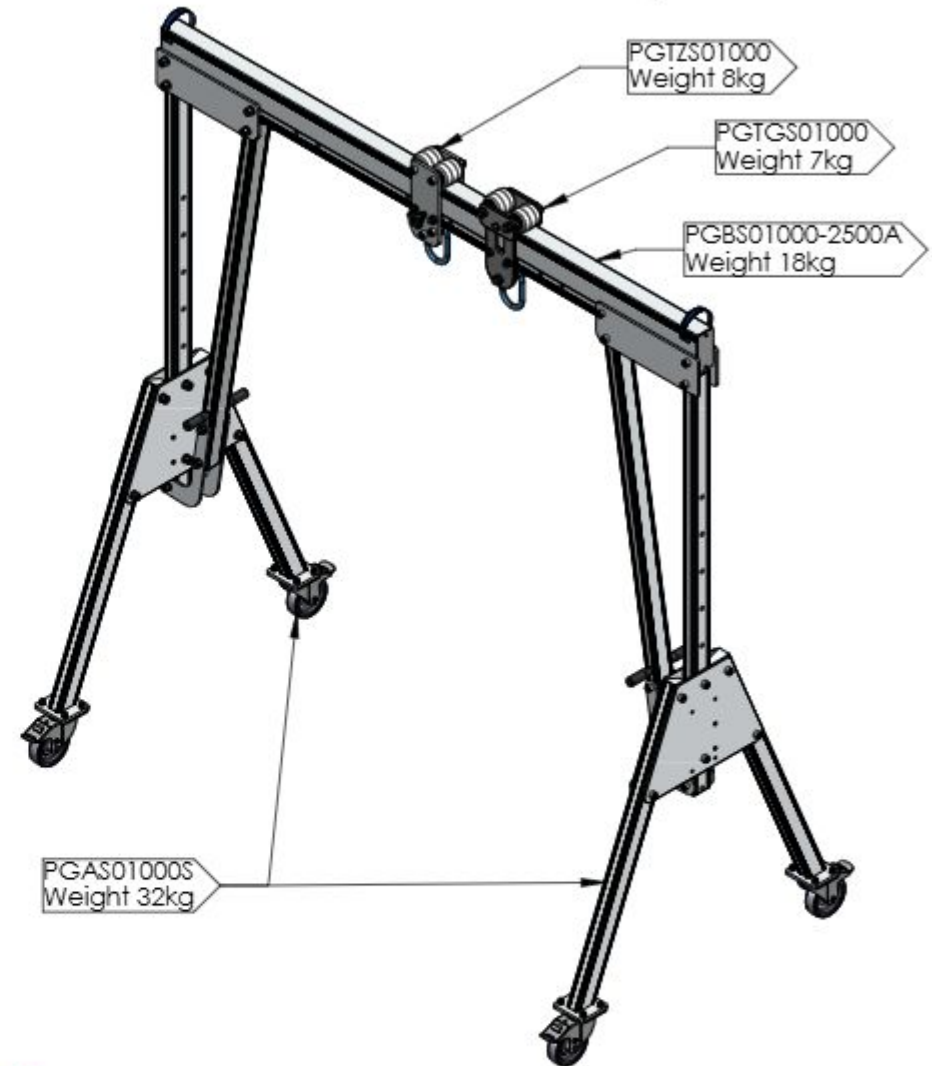
## Fall Protection Standards

- Certified to EN795:2012 Type B & supplied under PPE Regulation 2016/425
- Notified Body Witness tested to the requirements of PD CEN/TS16415:2013 for 3 persons
- Exceeds the requirements of IRATA ICOP & BS7985 (15kN MBL)
- Tested to and meets the requirements of ANSI Z359.18.2017 for 2 persons.

## Materials & Finishes

- Frame and beam - 6082 T6 Aluminium alloy. Anodised.
- Castors - Steel. Bright Zinc Plated.
- Castor Wheels & Rollers - Nylon & Polyurethane
- Fixings - Steel. Grade 12.9. Bright Zinc Plated.

Note: Masterlink Trolley shown in system as a reference



Approved

DO NOT SCALE DRAWING

REVISION

02

**REID**  
**LIFTING**

Reid Lifting Limited. Unit 1  
Wyeview, Newhouse Farm Ind. Est.,  
Chepstow, Monmouthshire.  
NP16 6UD, UK

Tel +44(0)1291 620796  
Fax: +44(0)1291 626490

[www.reidlifting.com](http://www.reidlifting.com)

[enquiries@reidlifting.com](mailto:enquiries@reidlifting.com)

	NAME	DATE
DRAWN	TB	17/05/2021
CHK'D		
APPR'D	CM	10/03/2023

UNLESS OTHERWISE SPECIFIED:  
DIMENSIONS ARE IN MILLIMETERS

ALL COPYRIGHT AND DESIGN RIGHT SUBSISTING IN THIS DOCUMENT IS THE PROPERTY OF REID LIFTING LIMITED AND MAY NOT BE REPRODUCED WITHOUT REID LIFTING'S CONSENT. THIS DOCUMENT AND THE INFORMATION CONTAINED WITHIN IT IS CONFIDENTIAL AND MAY NOT BE DISCLOSED TO ANY THIRD PARTY NOR USED FOR ANY UNAUTHORISED PURPOSE WITHOUT REID LIFTING'S CONSENT



TITLE: **General Arrangement of REID Lifting Porta-Gantry Size: Small - 2500mm Beam**

DWG NO.

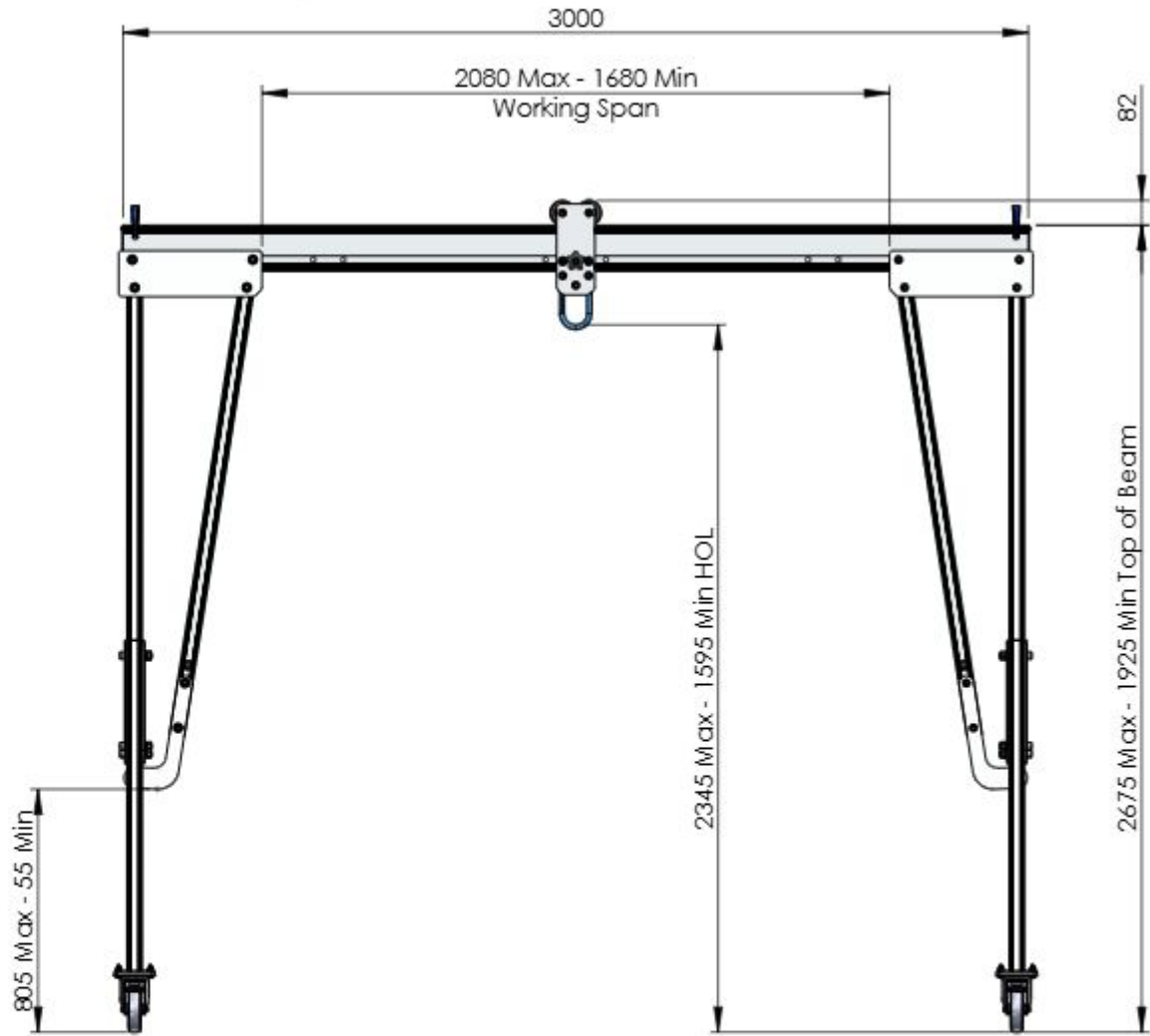
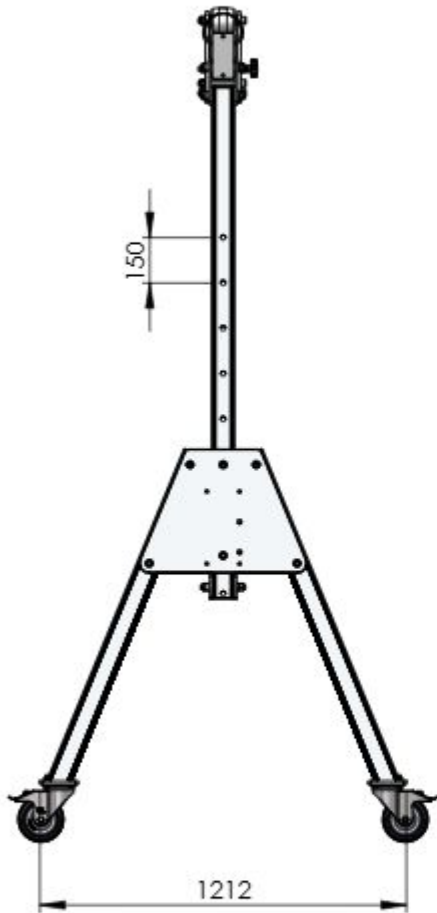
**PGSS01000S-2500A**

A4

Estimated Weight: 82 kg

1:25

SHEET 2 OF 2



DO NOT SCALE DRAWING

REVISION **02**



Reid Lifting Limited. Unit 1  
Wyeview, Newhouse Farm Ind. Est.,  
Chepstow, Monmouthshire.  
NP16 6UD, UK

Tel +44(0) 1291 620796  
Fax +44(0) 1291 626490

[www.reidlifting.com](http://www.reidlifting.com)

[enquiries@reidlifting.com](mailto:enquiries@reidlifting.com)

	NAME	DATE	FINISH:
DRAWN	TB	17/05/2021	Anodised
CHK'D			MATERIAL:
APP'VD	CM	10/03/2023	Aluminium Alloy
<small>ALL COPYRIGHT AND DESIGN RIGHT SUBSISTING IN THIS DOCUMENT IS THE PROPERTY OF REID LIFTING LIMITED AND MAY NOT BE REPRODUCED WITHOUT REID LIFTING'S CONSENT. THIS DOCUMENT AND THE INFORMATION CONTAINED WITHIN IT IS CONFIDENTIAL AND MAY NOT BE DISCLOSED TO ANY THIRD PARTY NOR USED FOR ANY UNAUTHORISED PURPOSE WITHOUT REID LIFTING'S CONSENT</small>			
<small>UNLESS OTHERWISE SPECIFIED: DIMENSIONS ARE IN MILLIMETERS</small>			



TITLE: **General Arrangement of REID Lifting Porta-Gantry Size: Small - 3000mm Beam**

DWG NO. **PGSS01000S-3000A** A4

Estimated Weight: 86 kg 1:25 SHEET 1 OF 2

## General Specification

- Maximum rated capacity for goods lifting - 1000kg
- Maximum rated capacity for personnel lifting - 500kg
- Beam deflection at maximum rated capacity of 1000kg - 5-10 mm at centre of span
- Maximum castor surface pressure at full load - 28.12 MPa
- Assembled gantry weight (excluding trolleys) - 86kg
- All welding to BS EN ISO 15614-2: 2005 by certified welders.
- For further details and assembly information refer to Operations and Maintenance Manual for Porta Gantry Product. (available at [www.reidlifting.com](http://www.reidlifting.com))

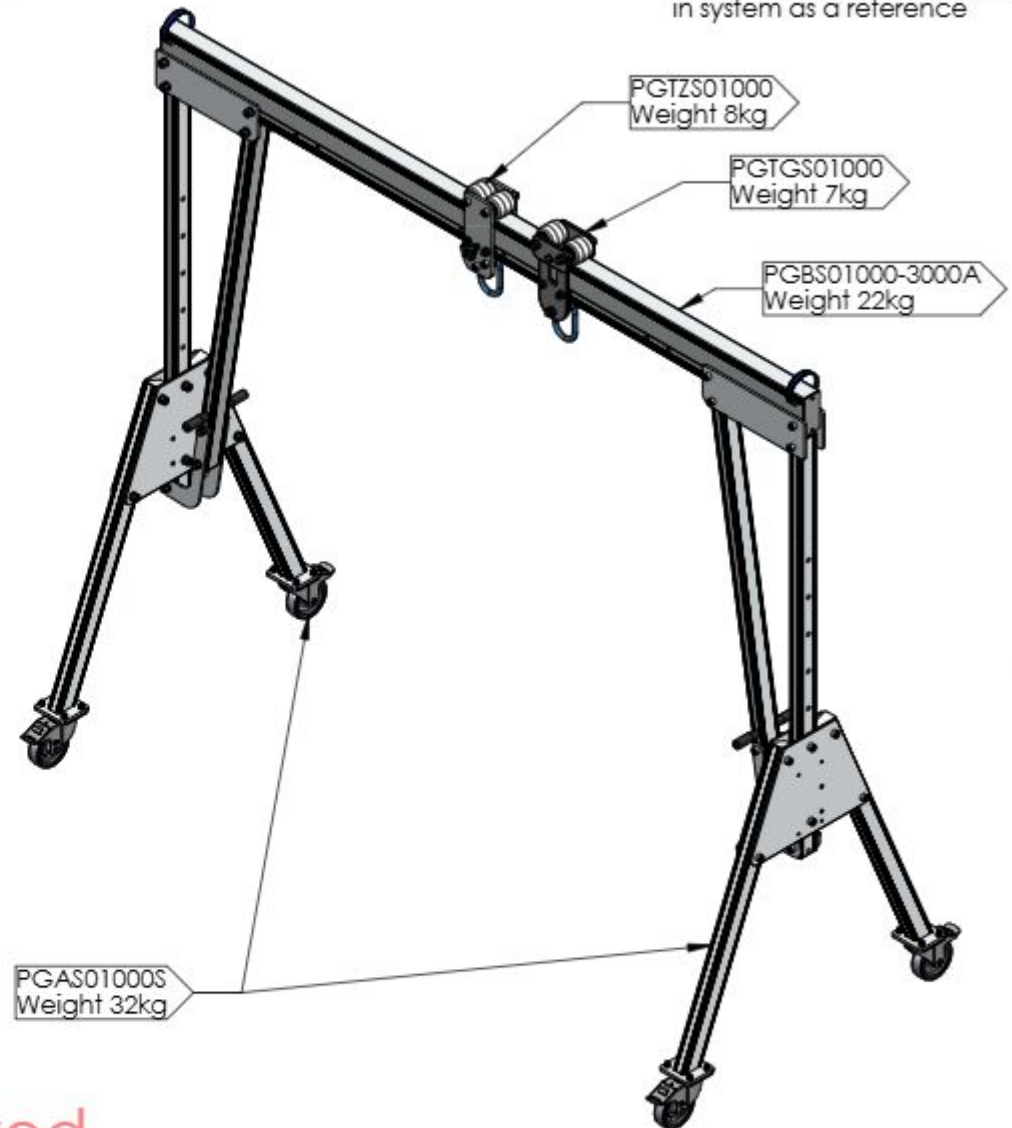
## Fall Protection Standards

- Certified to EN795:2012 Type B & supplied under PPE Regulation 2016/425
- Notified Body Witness tested to the requirements of PD CEN/TS16415:2013 for 3 persons
- Exceeds the requirements of IRATA ICOP & BS7985 (15kN MBL)
- Tested to and meets the requirements of ANSI Z359.18.2017 for 2 persons.

## Materials & Finishes

- Frame and beam - 6082 T6 Aluminium alloy. Anodised.
- Castors - Steel. Bright Zinc Plated.
- Castor Wheels & Rollers - Nylon & Polyurethane
- Fixings - Steel. Grade 12.9. Bright Zinc Plated.

Note: Masterlink Trolley shown in system as a reference



Approved

DO NOT SCALE DRAWING

REVISION **02**

**REID**  
**LIFTING**

Reid Lifting Limited. Unit 1  
Wyeview, Newhouse Farm Ind. Est.,  
Chepstow, Monmouthshire.  
NP16 6UD, UK

Tel +44(0)1291 620796  
Fax: +44(0)1291 626490

[www.reidlifting.com](http://www.reidlifting.com)

[enquiries@reidlifting.com](mailto:enquiries@reidlifting.com)

	NAME	DATE
DRAWN	TB	17/05/2021
CHK'D		
APPR'D	CM	10/03/2023

UNLESS OTHERWISE SPECIFIED:  
DIMENSIONS ARE IN MILLIMETERS

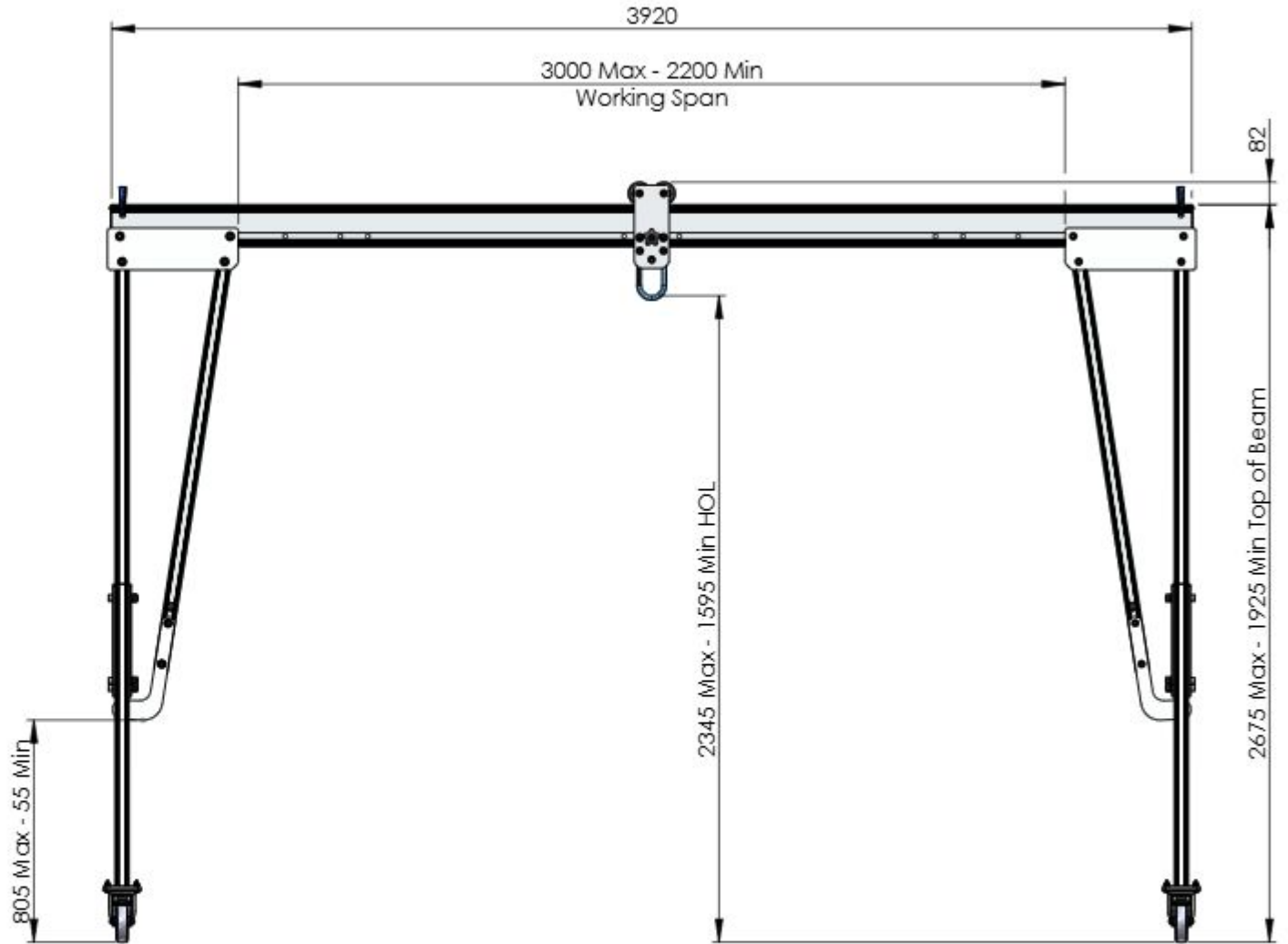
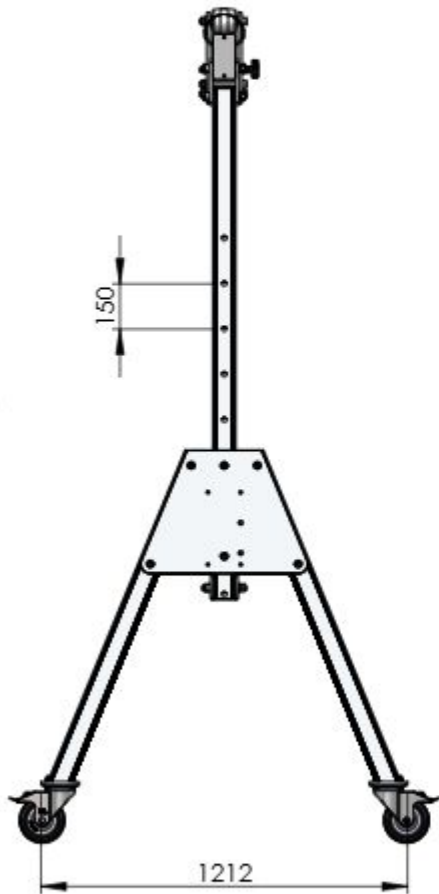
ALL COPYRIGHT AND DESIGN RIGHT SUBSISTING IN THIS DOCUMENT IS THE PROPERTY OF REID LIFTING LIMITED AND MAY NOT BE REPRODUCED WITHOUT REID LIFTING'S CONSENT. THIS DOCUMENT AND THE INFORMATION CONTAINED WITHIN IT IS CONFIDENTIAL AND MAY NOT BE DISCLOSED TO ANY THIRD PARTY NOR USED FOR ANY UNAUTHORIZED PURPOSE WITHOUT REID LIFTING'S CONSENT



TITLE: **General Arrangement of REID Lifting Porta-Gantry Size: Small - 3000mm Beam**

DWG NO. **PGSS01000S-3000A** **A4**

Estimated Weight: 86 kg 1:25 SHEET 2 OF 2



DO NOT SCALE DRAWING

REVISION

03



Reid Lifting Limited. Unit 1  
Wyeview, Newhouse Farm Ind. Est.,  
Chepstow, Monmouthshire.  
NP16 6UD, UK

Tel +44(0) 1291 620796  
Fax +44(0) 1291 626490

[www.reidlifting.com](http://www.reidlifting.com)

[enquiries@reidlifting.com](mailto:enquiries@reidlifting.com)

	NAME	DATE	FINISH:
DRAWN	BJ	24/03/2021	Anodised
CHK'D			MATERIAL:
APP'VD	CM	10/03/2023	Aluminium Alloy
<small>ALL COPYRIGHT AND DESIGN RIGHT SUBSISTING IN THIS DOCUMENT IS THE PROPERTY OF REID LIFTING LIMITED AND MAY NOT BE REPRODUCED WITHOUT REID LIFTING'S CONSENT. THIS DOCUMENT AND THE INFORMATION CONTAINED WITHIN IT IS CONFIDENTIAL AND MAY NOT BE DISCLOSED TO ANY THIRD PARTY NOR USED FOR ANY UNAUTHORISED PURPOSE WITHOUT REID LIFTING'S CONSENT</small>			
<small>UNLESS OTHERWISE SPECIFIED: DIMENSIONS ARE IN MILLIMETERS</small>			



TITLE: **General Arrangement of  
REID Lifting Porta-Gantry  
Size: Small - 3920mm Beam**

DWG NO.

PGSS01000S-3920A

A4

Estimated Weight: 93 kg

1:25

SHEET 1 OF 2

## General Specification

- Maximum rated capacity for goods lifting - 1000kg
- Maximum rated capacity for personnel lifting - 500kg
- Beam deflection at maximum rated capacity of 1000kg - 15-20 mm at centre of span
- Maximum castor surface pressure at full load - 28.21 MPa
- Assembled gantry weight (excluding trollies) - 93kg
- All welding to BS EN ISO 15614-2: 2005 by certified welders.
- For further details and assembly information refer to Operations and Maintenance Manual for Porta Gantry Product. (available at [www.reidlifting.com](http://www.reidlifting.com))

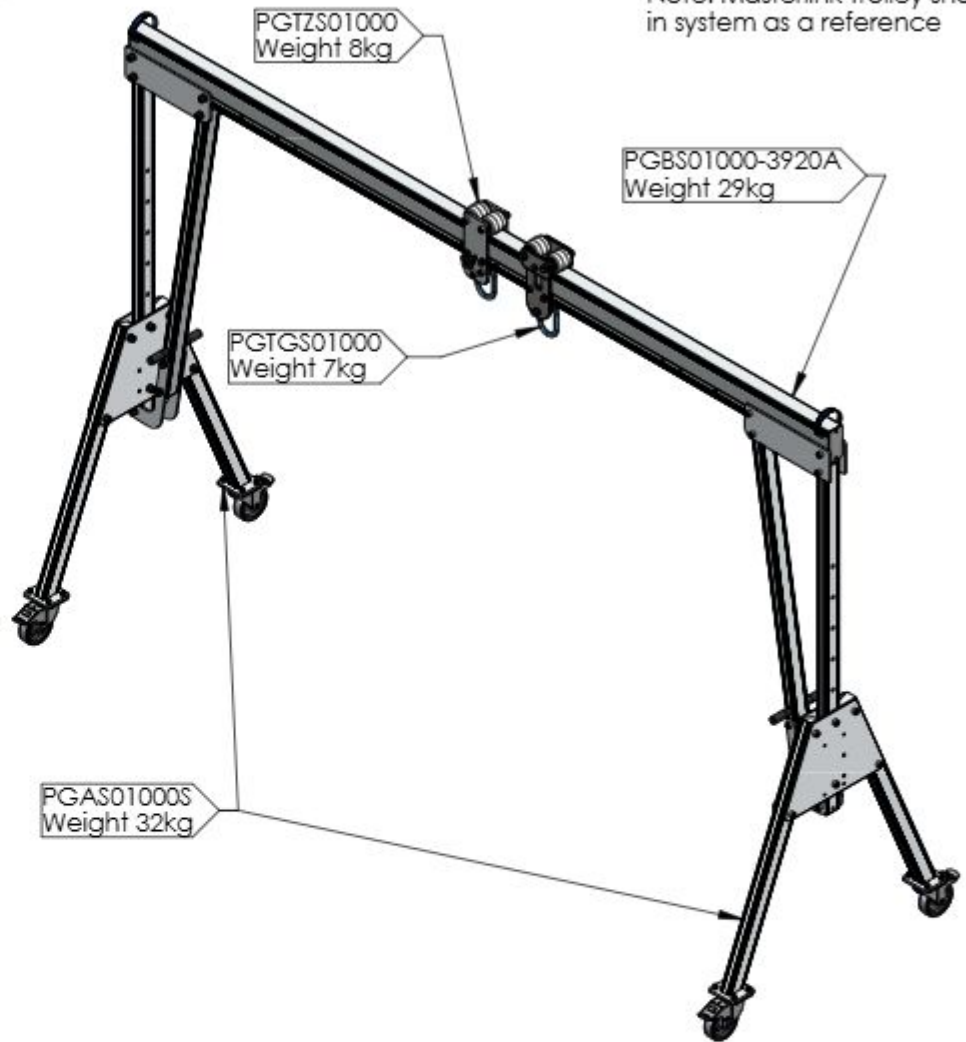
## Fall Protection Standards

- Certified to EN795:2012 Type B & supplied under PPE Regulation 2016/425
- Notified Body Witness tested to the requirements of PD CEN/TS16415:2013 for 3 persons
- Exceeds the requirements of IRATA ICOP & BS7985 (15kN MBL)
- Tested to and meets the requirements of ANSI Z359.18.2017 for 2 persons.

## Materials & Finishes

- Frame and beam - 6082 T6 Aluminium alloy. Anodised.
- Castors - Steel. Bright Zinc Plated.
- Castor Wheels & Rollers - Nylon & Polyurethane
- Fixings - Steel. Grade 12.9. Bright Zinc Plated.

Note: Masterlink Trolley shown in system as a reference



Approved

DO NOT SCALE DRAWING

REVISION

03



Reid Lifting Limited. Unit 1  
Wyeview, Newhouse Farm Ind. Est.,  
Chepstow, Monmouthshire.  
NP16 6UD, UK

Tel +44(0)1291 620796  
Fax: +44(0)1291 626490

[www.reidlifting.com](http://www.reidlifting.com)

[enquiries@reidlifting.com](mailto:enquiries@reidlifting.com)

	NAME	DATE
DRAWN	BJ	24/03/2021
CHK'D		
APP'VD	CM	10/03/2023

UNLESS OTHERWISE SPECIFIED:  
DIMENSIONS ARE IN MILLIMETERS

ALL COPYRIGHT AND DESIGN RIGHT SUBSISTING IN THIS DOCUMENT IS THE PROPERTY OF REID LIFTING LIMITED AND MAY NOT BE REPRODUCED WITHOUT REID LIFTING'S CONSENT. THIS DOCUMENT AND THE INFORMATION CONTAINED WITHIN IT IS CONFIDENTIAL AND MAY NOT BE DISCLOSED TO ANY THIRD PARTY NOR USED FOR ANY UNAUTHORISED PURPOSE WITHOUT REID LIFTING'S CONSENT



TITLE: **General Arrangement of REID Lifting Porta-Gantry Size: Small - 3920mm Beam**

DWG NO.

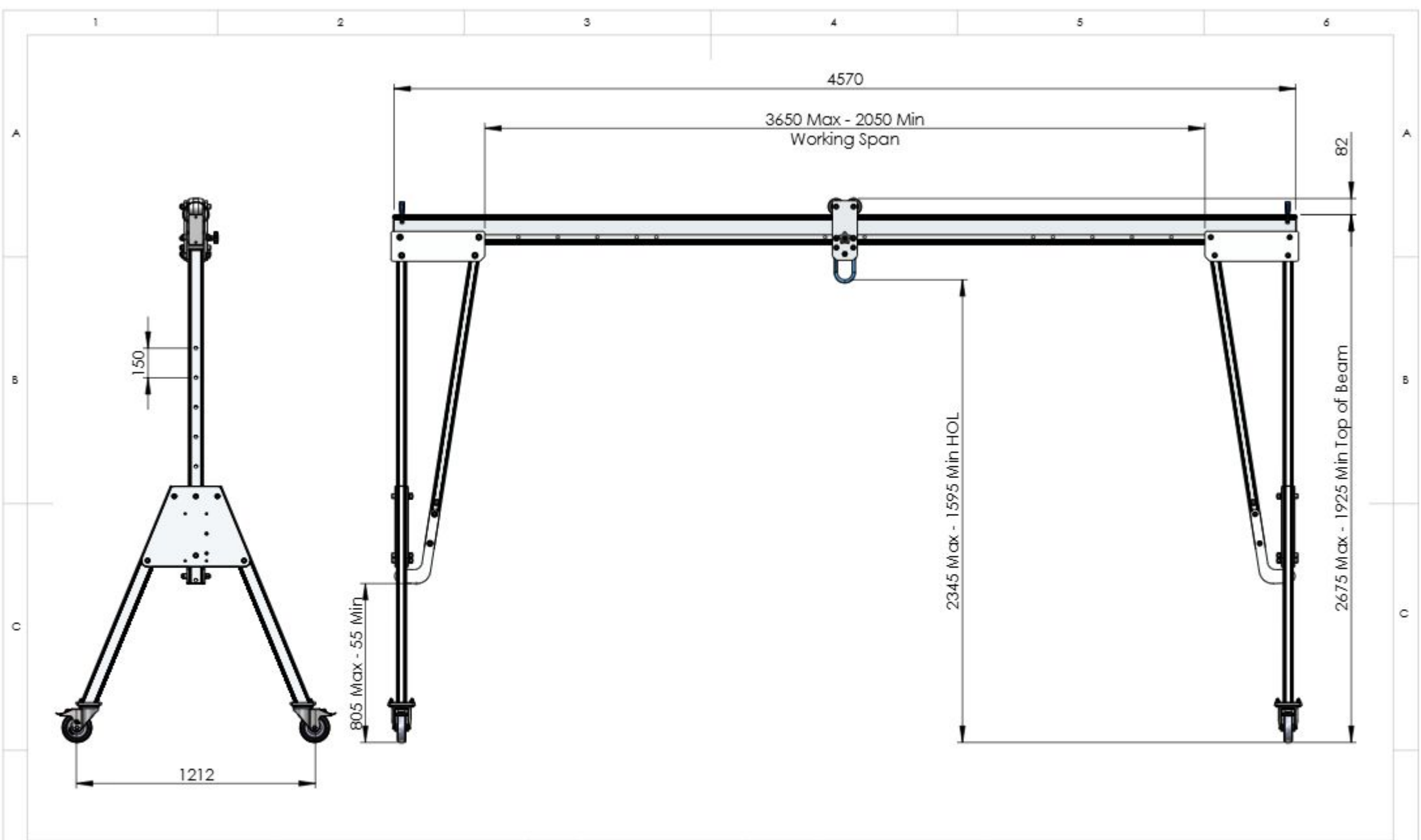
**PGSS01000S-3920A**

A4

Estimated Weight: 93 kg

1:30

SHEET 2 OF 2



DO NOT SCALE DRAWING

REVISION

**02**



Reid Lifting Limited. Unit 1  
Wyeview, Newhouse Farm Ind. Est.,  
Chepstow, Monmouthshire.  
NP16 6UD, UK

Tel +44(0) 1291 620796  
Fax +44(0) 1291 626490

[www.reidlifting.com](http://www.reidlifting.com)

[enquiries@reidlifting.com](mailto:enquiries@reidlifting.com)

	NAME	DATE	FINISH:
DRAWN	TB	17/05/2021	Anodised
CHK'D			MATERIAL:
APPR'D	CM	10/03/2023	Aluminium Alloy
<small>ALL COPYRIGHT AND DESIGN RIGHT SUBSISTING IN THIS DOCUMENT IS THE PROPERTY OF REID LIFTING LIMITED AND MAY NOT BE REPRODUCED WITHOUT REID LIFTING'S CONSENT. THIS DOCUMENT AND THE INFORMATION CONTAINED WITHIN IT IS CONFIDENTIAL AND MAY NOT BE DISCLOSED TO ANY THIRD PARTY NOR USED FOR ANY UNAUTHORISED PURPOSE WITHOUT REID LIFTING'S CONSENT</small>			
<small>UNLESS OTHERWISE SPECIFIED: DIMENSIONS ARE IN MILLIMETERS</small>			

TITLE:

**General Arrangement of REID  
Lifting Porta-Gantry Size: Small -  
4570mm Beam**

DWG NO.

**PGSS01000S-4570A**

A4

Estimated Weight: 97 kg

1:25

SHEET 1 OF 2

## General Specification

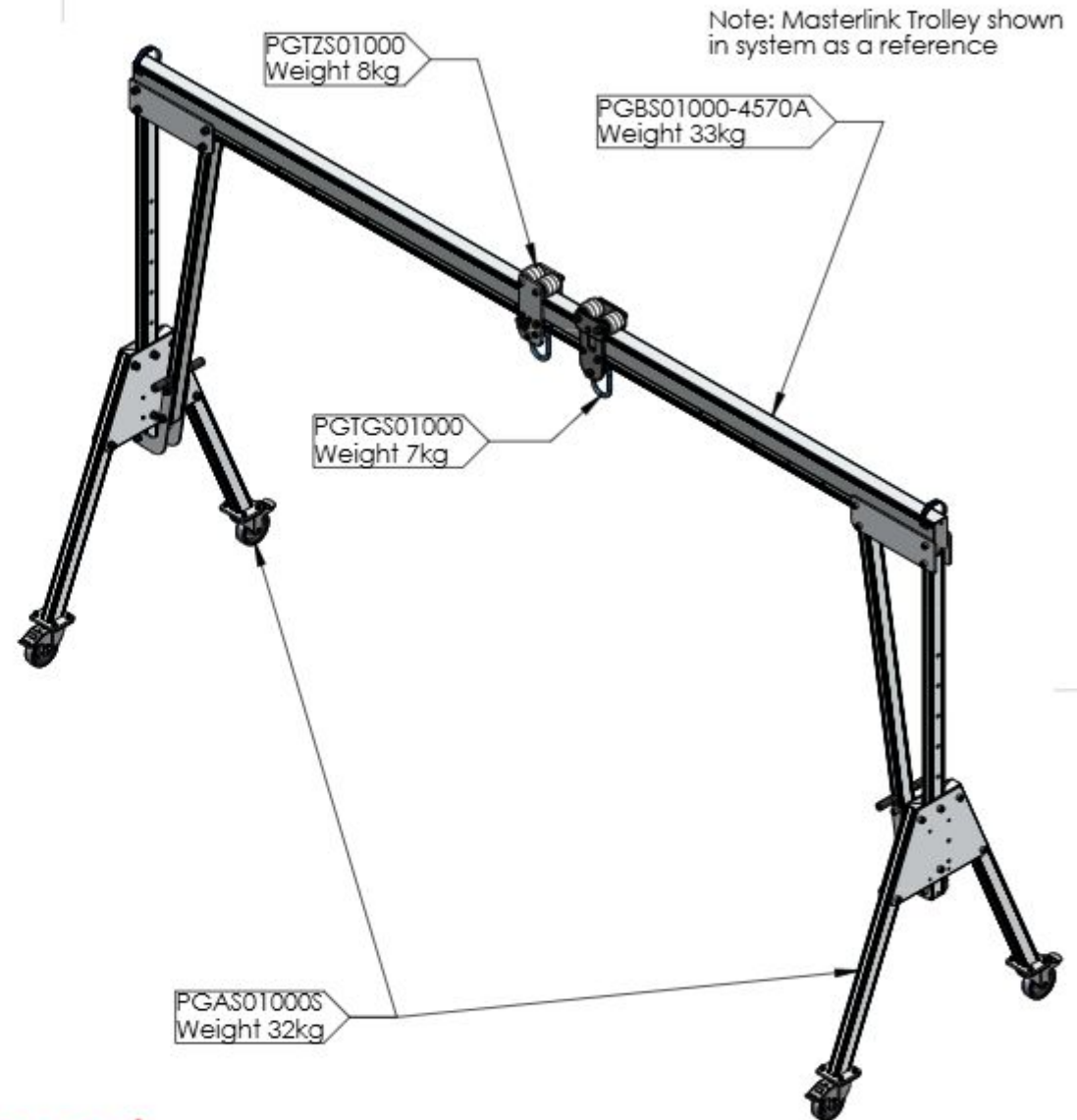
- Maximum rated capacity for goods lifting - 1000kg
- Maximum rated capacity for personnel lifting - 500kg
- Beam deflection at maximum rated capacity of 1000kg - 20-30 mm at centre of span
- Maximum castor surface pressure at full load - 28.27 MPa
- Assembled gantry weight (excluding trollies) - 97kg
- All welding to BS EN ISO 15614-2: 2005 by certified welders.
- For further details and assembly information refer to Operations and Maintenance Manual for Porta Gantry Product. (available at [www.reidlifting.com](http://www.reidlifting.com))

## Fall Protection Standards

- Certified to EN795:2012 Type B & supplied under PPE Regulation 2016/425
- Notified Body Witness tested to the requirements of PD CEN/TS16415:2013 for 3 persons
- Exceeds the requirements of IRATA ICOP & BS7985 (15kN MBL)
- Tested to and meets the requirements of ANSI Z359.18.2017 for 2 persons.

## Materials & Finishes

- Frame and beam - 6082 T6 Aluminium alloy. Anodised.
- Castors - Steel. Bright Zinc Plated.
- Castor Wheels & Rollers - Nylon & Polyurethane
- Fixings - Steel. Grade 12.9. Bright Zinc Plated.



Approved

DO NOT SCALE DRAWING

REVISION

02



Reid Lifting Limited. Unit 1  
Wyeview, Newhouse Farm Ind. Est.,  
Chepstow, Monmouthshire.  
NP16 6UD, UK

Tel +44(0)1291 620796  
Fax: +44(0)1291 626490

[www.reidlifting.com](http://www.reidlifting.com)

[enquiries@reidlifting.com](mailto:enquiries@reidlifting.com)

	NAME	DATE
DRAWN	TB	17/05/2021
CHK'D		
APPR'D	CM	10/03/2023

UNLESS OTHERWISE SPECIFIED:  
DIMENSIONS ARE IN MILLIMETERS

ALL COPYRIGHT AND DESIGN RIGHT SUBSISTING IN THIS DOCUMENT IS THE PROPERTY OF REID LIFTING LIMITED AND MAY NOT BE REPRODUCED WITHOUT REID LIFTING'S CONSENT. THIS DOCUMENT AND THE INFORMATION CONTAINED WITHIN IT IS CONFIDENTIAL AND MAY NOT BE DISCLOSED TO ANY THIRD PARTY NOR USED FOR ANY UNAUTHORISED PURPOSE WITHOUT REID LIFTING'S CONSENT



TITLE: **General Arrangement of REID Lifting Porta-Gantry Size: Small - 4570mm Beam**

DWG NO.

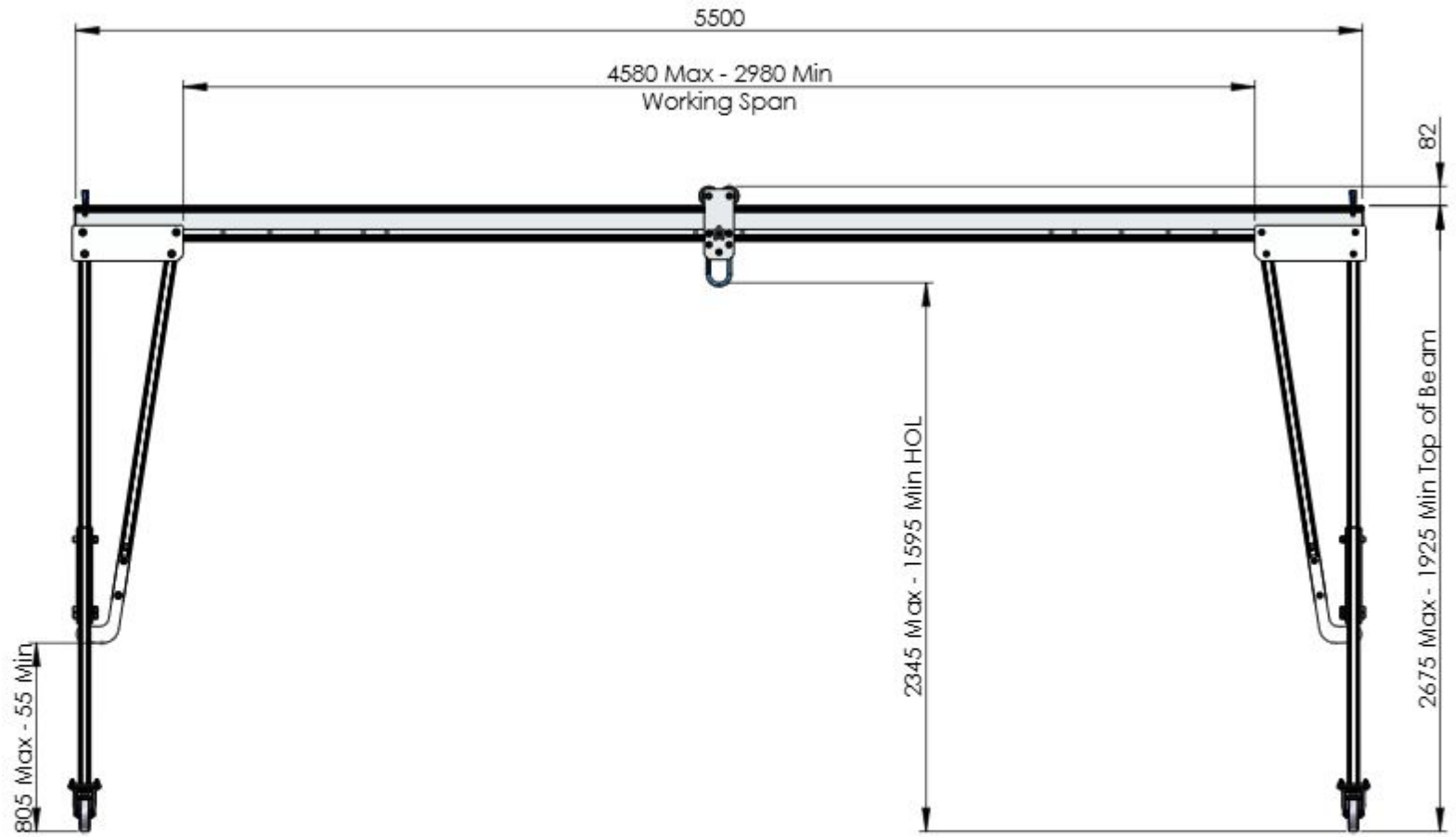
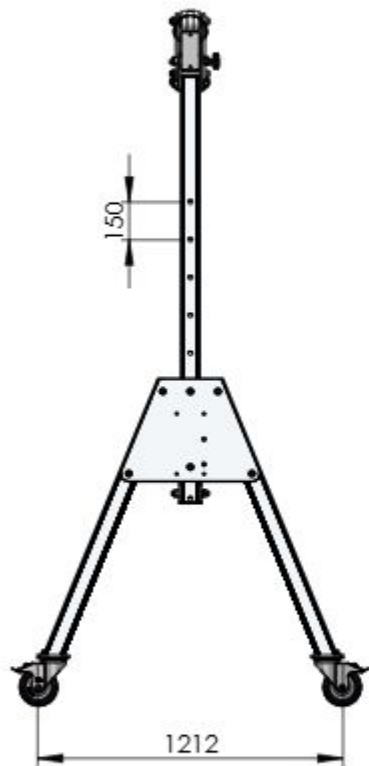
**PGSS01000S-4570A**

A4

Estimated Weight: 97 kg

1:30

SHEET 2 OF 2



DO NOT SCALE DRAWING

REVISION **02**



Reid Lifting Limited. Unit 1  
Wyeview, Newhouse Farm Ind. Est.,  
Chepstow, Monmouthshire.  
NP16 6UD, UK

Tel +44(0) 1291 620796  
Fax +44(0) 1291 626490

[www.reidlifting.com](http://www.reidlifting.com)

[enquiries@reidlifting.com](mailto:enquiries@reidlifting.com)

	NAME	DATE	FINISH:
DRAWN	TB	17/05/2021	Anodised
CHK'D			MATERIAL:
APP'VD	CM	10/03/2023	Aluminium Alloy
<small>ALL COPYRIGHT AND DESIGN RIGHT SUBSISTING IN THIS DOCUMENT IS THE PROPERTY OF REID LIFTING LIMITED AND MAY NOT BE REPRODUCED WITHOUT REID LIFTING'S CONSENT. THIS DOCUMENT AND THE INFORMATION CONTAINED WITHIN IT IS CONFIDENTIAL AND MAY NOT BE DISCLOSED TO ANY THIRD PARTY NOR USED FOR ANY UNAUTHORISED PURPOSE WITHOUT REID LIFTING'S CONSENT</small>			
<small>UNLESS OTHERWISE SPECIFIED: DIMENSIONS ARE IN MILLIMETERS</small>			



TITLE: **General Arrangement of REID Lifting Porta-Gantry Size: Small - 5500mm Beam**

DWG NO. **PGSS01000S-5500A** A4

Estimated Weight: 104 kg 1:30 SHEET 1 OF 2

## General Specification

- Maximum rated capacity for goods lifting - 1000kg
- Maximum rated capacity for personnel lifting - 500kg
- Beam deflection at maximum rated capacity of 1000kg - 42-52 mm at centre of span
- Maximum castor surface pressure at full load - 28.36 MPa
- Assembled gantry weight (excluding trollies) - 104kg
- All welding to BS EN ISO 15614-2: 2005 by certified welders.
- For further details and assembly information refer to Operations and Maintenance Manual for Porta Gantry Product. (available at [www.reidlifting.com](http://www.reidlifting.com))

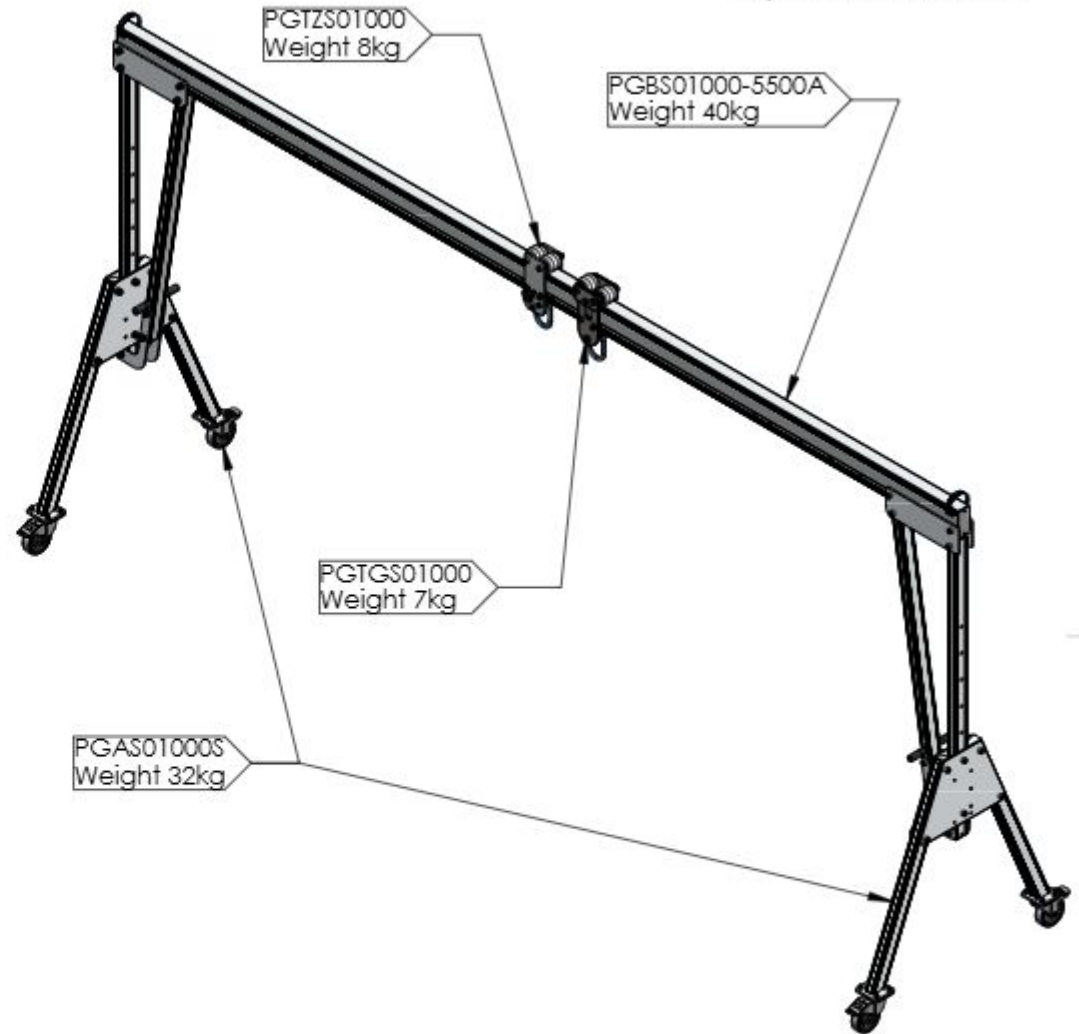
## Fall Protection Standards

- Certified to EN795:2012 Type B & supplied under PPE Regulation 2016/425
- Notified Body Witness tested to the requirements of PD CEN/TS16415:2013 for 3 persons
- Exceeds the requirements of IRATA ICOP & BS7985 (15kN MBL)

## Materials & Finishes

- Frame and beam - 6082 T6 Aluminium alloy. Anodised.
- Castors - Steel. Bright Zinc Plated.
- Castor Wheels & Rollers - Nylon & Polyurethane
- Fixings - Steel. Grade 12:9. Bright Zinc Plated.

Note: Masterlink Trolley shown in system as a reference



Approved

DO NOT SCALE DRAWING

REVISION **02**



Reid Lifting Limited. Unit 1  
Wyeview, Newhouse Farm Ind. Est.,  
Chepstow, Monmouthshire.  
NP16 6UD, UK

Tel +44(0)1291 620796  
Fax: +44(0)1291 626490

[www.reidlifting.com](http://www.reidlifting.com)

[enquiries@reidlifting.com](mailto:enquiries@reidlifting.com)

	NAME	DATE
DRAWN	TB	17/05/2021
CHK'D		
APPR'D	CM	10/03/2023

UNLESS OTHERWISE SPECIFIED:  
DIMENSIONS ARE IN MILLIMETERS

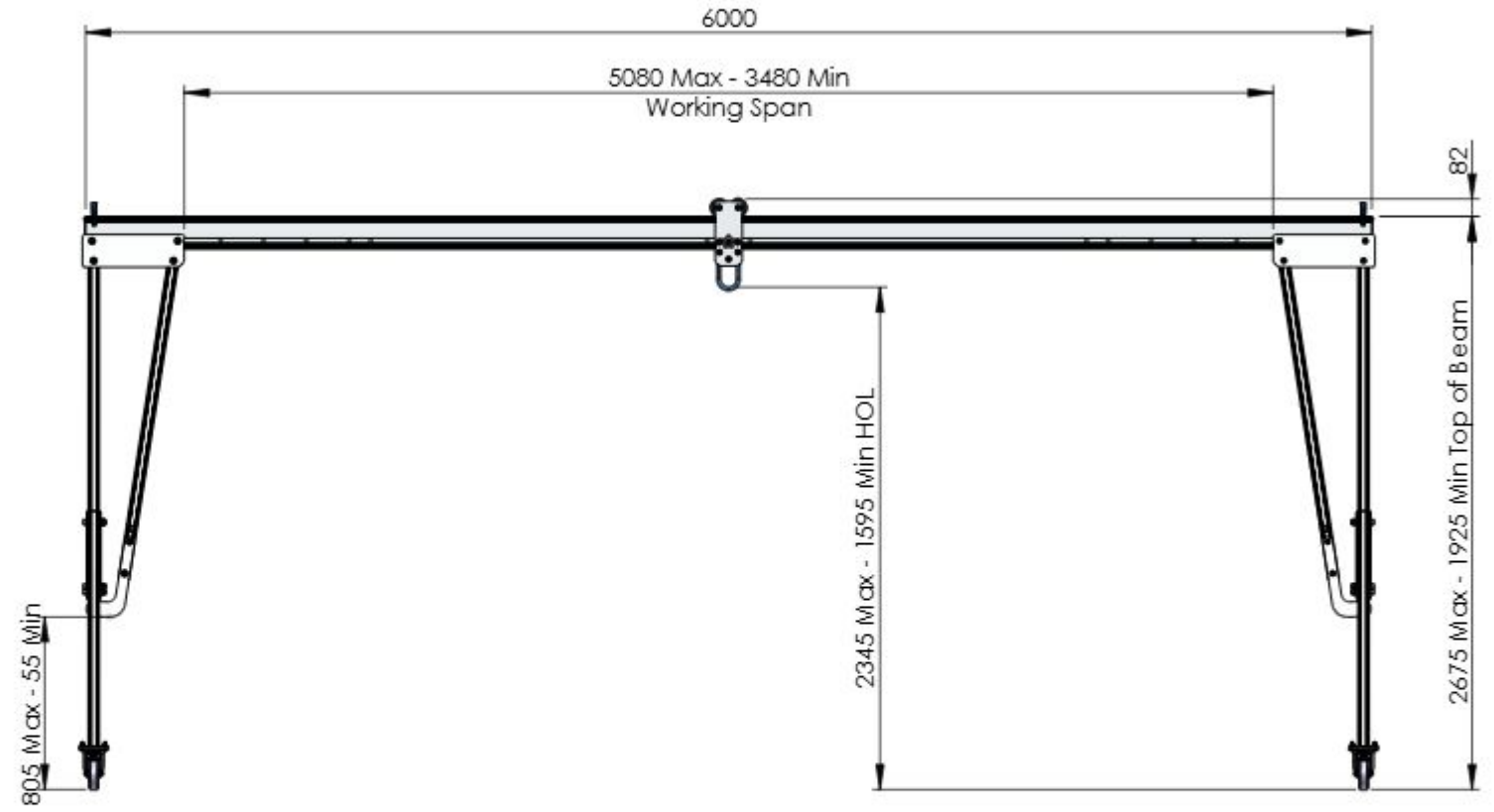
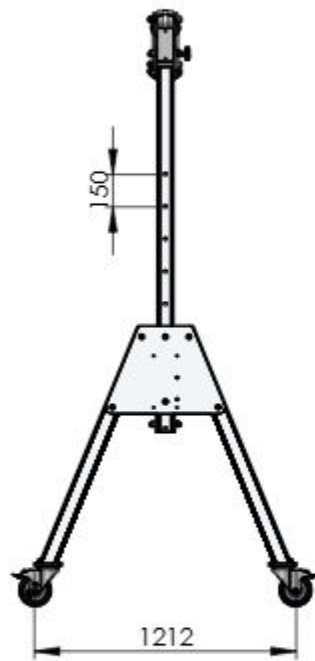
ALL COPYRIGHT AND DESIGN RIGHT SUBSISTING IN THIS DOCUMENT IS THE PROPERTY OF REID LIFTING LIMITED AND MAY NOT BE REPRODUCED WITHOUT REID LIFTING'S CONSENT. THIS DOCUMENT AND THE INFORMATION CONTAINED WITHIN IT IS CONFIDENTIAL AND MAY NOT BE DISCLOSED TO ANY THIRD PARTY NOR USED FOR ANY UNAUTHORISED PURPOSE WITHOUT REID LIFTING'S CONSENT



TITLE: **General Arrangement of REID Lifting Porta-Gantry Size: Small - 5500mm Beam**

DWG NO. **PGSS01000S-5500A** **A4**

Estimated Weight: 104 kg 1:35 SHEET 2 OF 2



DO NOT SCALE DRAWING

REVISION **02**



Reid Lifting Limited. Unit 1  
Wyeview, Newhouse Farm Ind. Est.,  
Chepstow, Monmouthshire.  
NP16 6UD, UK

Tel +44(0) 1291 620796  
Fax +44(0) 1291 626490

[www.reidlifting.com](http://www.reidlifting.com)

[enquiries@reidlifting.com](mailto:enquiries@reidlifting.com)

	NAME	DATE	FINISH:
DRAWN	TB	17/05/2021	Anodised
CHK'D			MATERIAL:
APP'VD	CM	10/03/2023	Aluminium Alloy
<small>ALL COPYRIGHT AND DESIGN RIGHT SUBSISTING IN THIS DOCUMENT IS THE PROPERTY OF REID LIFTING LIMITED AND MAY NOT BE REPRODUCED WITHOUT REID LIFTING'S CONSENT. THIS DOCUMENT AND THE INFORMATION CONTAINED WITHIN IT IS CONFIDENTIAL AND MAY NOT BE DISCLOSED TO ANY THIRD PARTY NOR USED FOR ANY UNAUTHORISED PURPOSE WITHOUT REID LIFTING'S CONSENT</small>			
<small>UNLESS OTHERWISE SPECIFIED: DIMENSIONS ARE IN MILLIMETERS</small>			

TITLE:	<b>General Arrangement of REID Lifting Porta-Gantry Size: Small - 6000mm Beam</b>	
DWG NO.	<b>PGSS01000S-6000A</b>	A4
Estimated Weight:	108 kg	1:35
		SHEET 1 OF 2



## General Specification

- Maximum rated capacity for goods lifting - 1000kg
- Maximum rated capacity for personnel lifting - 500kg
- Beam deflection at maximum rated capacity of 1000kg - 45-55 mm at centre of span
- Maximum castor surface pressure at full load - 28.41 MPa
- Assembled gantry weight (excluding trollies) - 108kg
- All welding to BS EN ISO 15614-2: 2005 by certified welders.
- For further details and assembly information refer to Operations and Maintenance Manual for Porta Gantry Product. (available at [www.reidlifting.com](http://www.reidlifting.com))

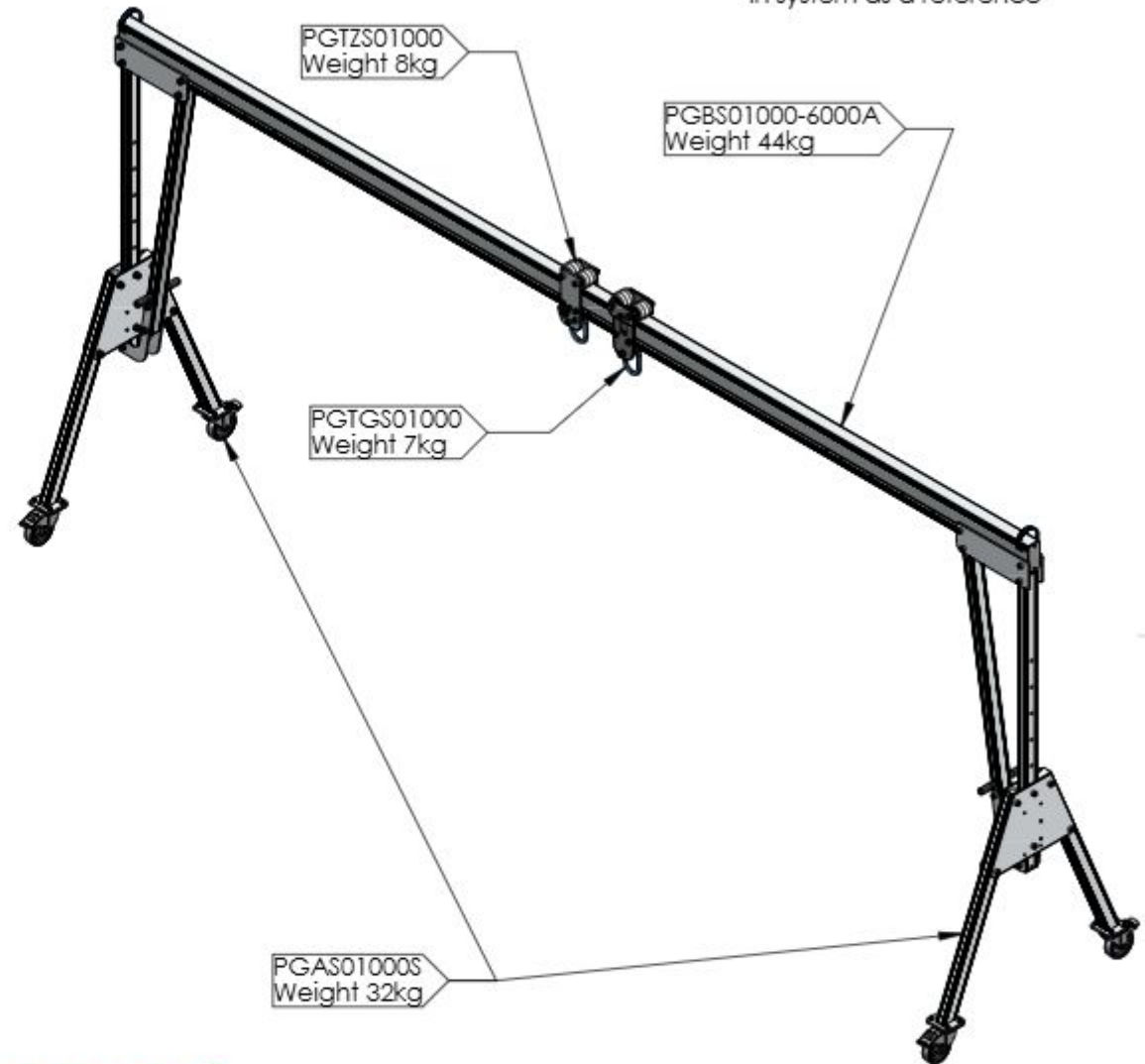
## Fall Protection Standards

- Certified to EN795:2012 Type B & supplied under PPE Regulation 2016/425
- Notified Body Witness tested to the requirements of PD CEN/TS16415:2013 for 3 persons
- Exceeds the requirements of IRATA ICOP & BS7985 (15kN MBL)

## Materials & Finishes

- Frame and beam - 6082 T6 Aluminium alloy. Anodised.
- Castors - Steel. Bright Zinc Plated.
- Castor Wheels & Rollers - Nylon & Polyurethane
- Fixings - Steel. Grade 12:9. Bright Zinc Plated.

Note: Masterlink Trolley shown in system as a reference



Approved

DO NOT SCALE DRAWING

REVISION

02



Reid Lifting Limited. Unit 1  
Wyeview, Newhouse Farm Ind. Est.,  
Chepstow, Monmouthshire.  
NP16 6UD, UK

Tel +44(0)1291 620796  
Fax: +44(0)1291 626490

[www.reidlifting.com](http://www.reidlifting.com)

[enquiries@reidlifting.com](mailto:enquiries@reidlifting.com)

	NAME	DATE
DRAWN	TB	17/05/2021
CHK'D		
APPR'D	CM	10/03/2023

UNLESS OTHERWISE SPECIFIED:  
DIMENSIONS ARE IN MILLIMETERS

ALL COPYRIGHT AND DESIGN RIGHT SUBSISTING IN THIS DOCUMENT IS THE PROPERTY OF REID LIFTING LIMITED AND MAY NOT BE REPRODUCED WITHOUT REID LIFTING'S CONSENT. THIS DOCUMENT AND THE INFORMATION CONTAINED WITHIN IT IS CONFIDENTIAL AND MAY NOT BE DISCLOSED TO ANY THIRD PARTY NOR USED FOR ANY UNAUTHORISED PURPOSE WITHOUT REID LIFTING'S CONSENT



TITLE: **General Arrangement of REID Lifting Porta-Gantry Size: Small - 6000mm Beam**

DWG NO.

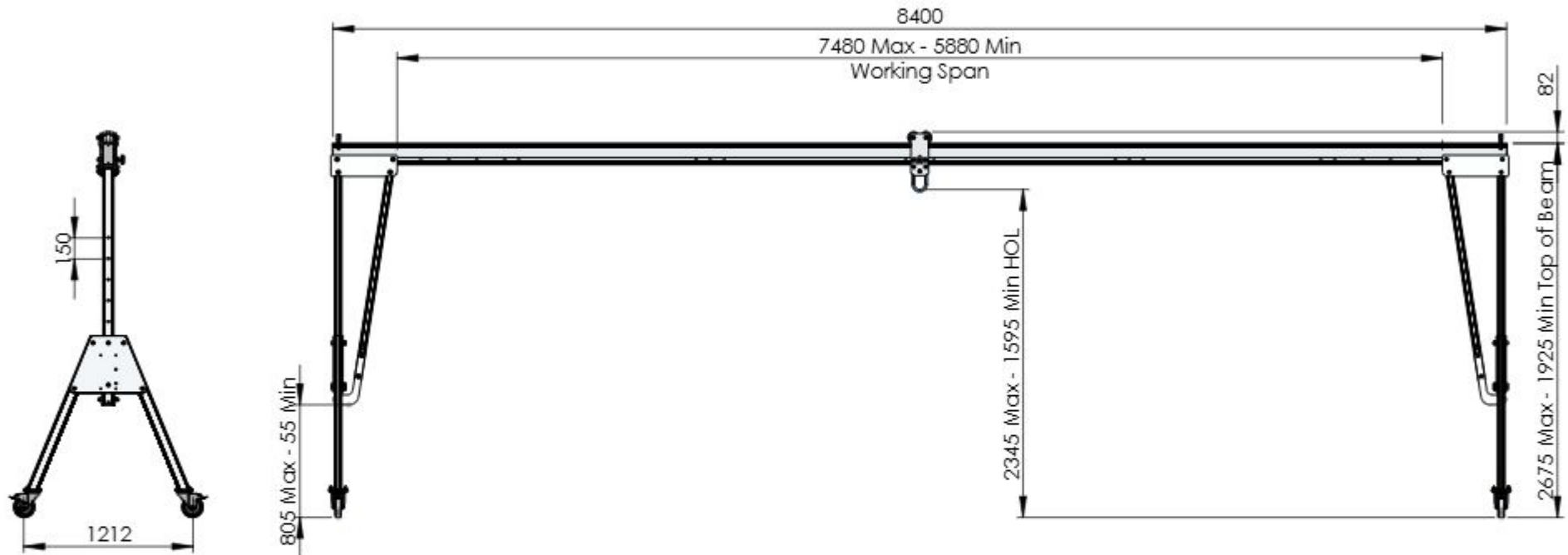
**PGSS01000S-6000A**

A4

Estimated Weight: 108 kg

1:35

SHEET 2 OF 2



DO NOT SCALE DRAWING

REVISION **02**



Reid Lifting Limited. Unit 1  
Wyeview, Newhouse Farm Ind. Est.,  
Chepstow, Monmouthshire.  
NP16 6UD, UK

Tel +44(0) 1291 620796  
Fax +44(0) 1291 626490

[www.reidlifting.com](http://www.reidlifting.com)

[enquiries@reidlifting.com](mailto:enquiries@reidlifting.com)

	NAME	DATE	FINISH:
DRAWN	TB	19/05/2021	Anodised
CHK'D			MATERIAL:
APP'VD	CM	10/03/2023	Aluminium Alloy
<small>ALL COPYRIGHT AND DESIGN RIGHT SUBSISTING IN THIS DOCUMENT IS THE PROPERTY OF REID LIFTING LIMITED AND MAY NOT BE REPRODUCED WITHOUT REID LIFTING'S CONSENT. THIS DOCUMENT AND THE INFORMATION CONTAINED WITHIN IT IS CONFIDENTIAL AND MAY NOT BE DISCLOSED TO ANY THIRD PARTY NOR USED FOR ANY UNAUTHORISED PURPOSE WITHOUT REID LIFTING'S CONSENT</small>			
<small>UNLESS OTHERWISE SPECIFIED: DIMENSIONS ARE IN MILLIMETERS</small>			



TITLE:	<b>General Arrangement of REID Lifting Porta-Gantry Size: Small - 8400mm Beam</b>	
DWG NO.	<b>PGSS01000S-8400B</b>	A4
Estimated Weight:	142 kg	1:45
		SHEET 1 OF 2

## General Specification

- Maximum rated capacity for goods lifting - 1000kg
- Maximum rated capacity for personnel lifting - 500kg
- Beam deflection at maximum rated capacity of 1000kg - 110-120 mm at centre of span
- Maximum castor surface pressure at full load - 28.87 MPa
- Assembled gantry weight (excluding trolleys) - 142kg
- All welding to BS EN ISO 15614-2: 2005 by certified welders.
- For further details and assembly information refer to Operations and Maintenance Manual for Porta Gantry Product. (available at [www.reidlifting.com](http://www.reidlifting.com))

## Fall Protection Standards

- Certified to EN795:2012 Type B & supplied under PPE Regulation 2016/425
- Notified Body Witness tested to the requirements of PD CEN/TS16415:2013 for 3 persons
- Exceeds the requirements of IRATA ICOP & BS7985 (15kN MBL)

## Materials & Finishes

- Frame and beam - 6082 T6 Aluminium alloy. Anodised.
- Castors - Steel. Bright Zinc Plated.
- Castor Wheels & Rollers - Nylon & Polyurethane
- Fixings - Steel. Grade 12:9. Bright Zinc Plated.

Note: Masterlink Trolley shown in system as a reference



Approved

DO NOT SCALE DRAWING

REVISION **02**



Reid Lifting Limited. Unit 1  
Wyeview, Newhouse Farm Ind. Est.,  
Chepstow, Monmouthshire.  
NP16 6UD, UK

Tel +44(0)1291 620796  
Fax: +44(0)1291 626490

[www.reidlifting.com](http://www.reidlifting.com)

[enquiries@reidlifting.com](mailto:enquiries@reidlifting.com)

	NAME	DATE
DRAWN	TB	19/05/2021
CHK'D		
APPR'D	CM	10/03/2023

UNLESS OTHERWISE SPECIFIED:  
DIMENSIONS ARE IN MILLIMETERS

ALL COPYRIGHT AND DESIGN RIGHT SUBSISTING IN THIS DOCUMENT IS THE PROPERTY OF REID LIFTING LIMITED AND MAY NOT BE REPRODUCED WITHOUT REID LIFTING'S CONSENT. THIS DOCUMENT AND THE INFORMATION CONTAINED WITHIN IT IS CONFIDENTIAL AND MAY NOT BE DISCLOSED TO ANY THIRD PARTY NOR USED FOR ANY UNAUTHORISED PURPOSE WITHOUT REID LIFTING'S CONSENT



TITLE: **General Arrangement of REID Lifting Porta-Gantry Size: Small - 8400mm Beam**

DWG NO.

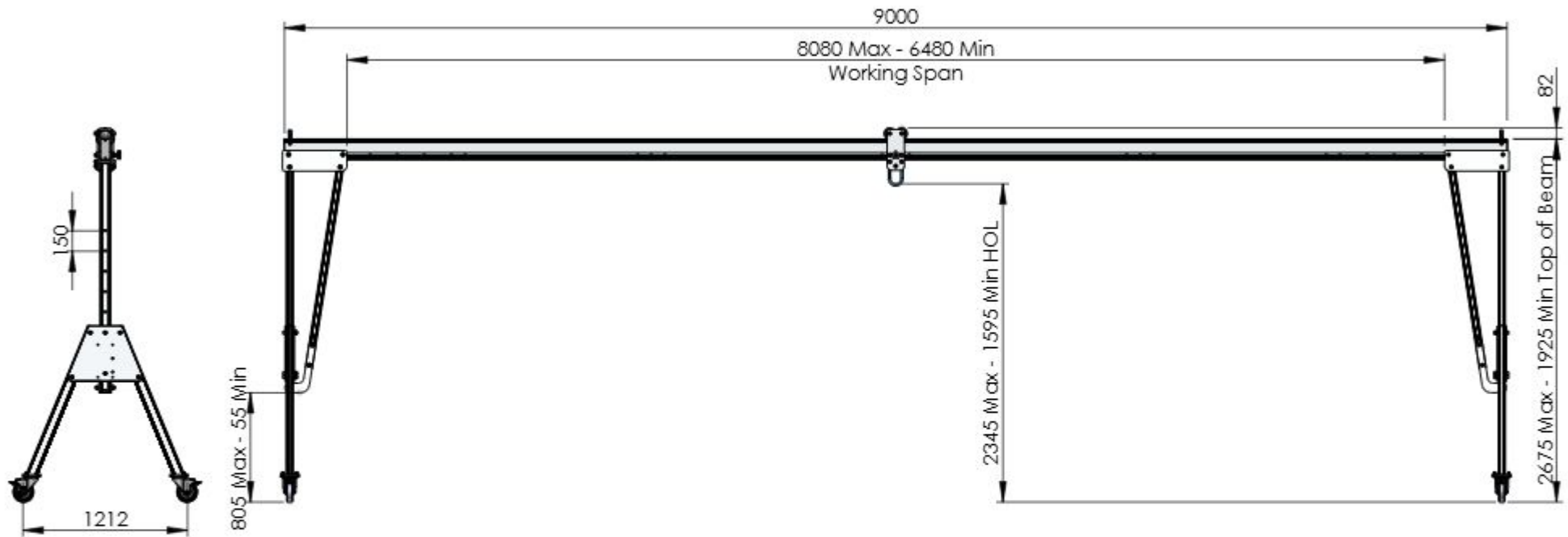
**PGSS01000S-8400B**

A4

Estimated Weight: 142 kg

1:50

SHEET 2 OF 2



DO NOT SCALE DRAWING

REVISION **02**



Reid Lifting Limited. Unit 1  
Wyeview, Newhouse Farm Ind. Est.,  
Chepstow, Monmouthshire.  
NP16 6UD, UK

Tel +44(0) 1291 620796  
Fax +44(0) 1291 626490

[www.reidlifting.com](http://www.reidlifting.com)

[enquiries@reidlifting.com](mailto:enquiries@reidlifting.com)

	NAME	DATE	FINISH:
DRAWN	TB	19/05/2021	Anodised
CHK'D			MATERIAL:
APP'VD	CM	10/03/2023	Aluminium Alloy
<small>ALL COPYRIGHT AND DESIGN RIGHT SUBSISTING IN THIS DOCUMENT IS THE PROPERTY OF REID LIFTING LIMITED AND MAY NOT BE REPRODUCED WITHOUT REID LIFTING'S CONSENT. THIS DOCUMENT AND THE INFORMATION CONTAINED WITHIN IT IS CONFIDENTIAL AND MAY NOT BE DISCLOSED TO ANY THIRD PARTY NOR USED FOR ANY UNAUTHORISED PURPOSE WITHOUT REID LIFTING'S CONSENT</small>			
<small>UNLESS OTHERWISE SPECIFIED: DIMENSIONS ARE IN MILLIMETERS</small>			



TITLE: **General Arrangement of REID Lifting Porta-Gantry Size: Small - 9000mm Beam**

DWG NO. **PGSS01000S-9000B** A4

Estimated Weight: 148 kg 1:45 SHEET 1 OF 2

## General Specification

- Maximum rated capacity for goods lifting - 1000kg
- Maximum rated capacity for personnel lifting - 500kg
- Beam deflection at maximum rated capacity of 1000kg - 125-140 mm at centre of span
- Maximum castor surface pressure at full load - 28.95 MPa
- Assembled gantry weight (excluding trolleys) - 148kg
- All welding to BS EN ISO 15614-2: 2005 by certified welders.
- For further details and assembly information refer to Operations and Maintenance Manual for Porta Gantry Product. (available at [www.reidlifting.com](http://www.reidlifting.com))

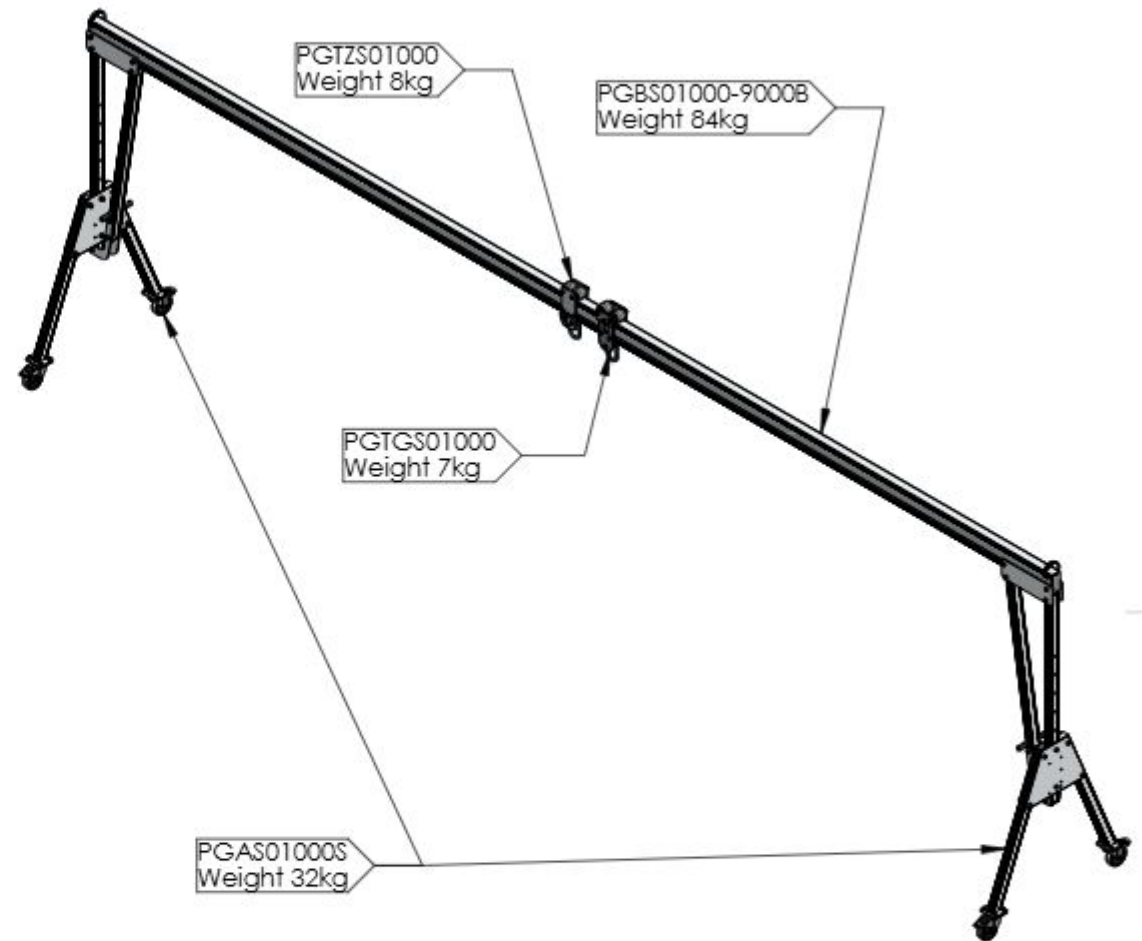
## Fall Protection Standards

- Certified to EN795:2012 Type B & supplied under PPE Regulation 2016/425
- Notified Body Witness tested to the requirements of PD CEN/TS16415:2013 for 3 persons
- Exceeds the requirements of IRATA ICOP & BS7985 (15kN MBL)

## Materials & Finishes

- Frame and beam - 6082 T6 Aluminium alloy. Anodised.
- Castors - Steel. Bright Zinc Plated.
- Castor Wheels & Rollers - Nylon & Polyurethane
- Fixings - Steel. Grade 12:9. Bright Zinc Plated.

Note: Masterlink Trolley shown in system as a reference



Approved

DO NOT SCALE DRAWING

REVISION **02**



Reid Lifting Limited. Unit 1  
Wyeview, Newhouse Farm Ind. Est.,  
Chepstow, Monmouthshire.  
NP16 6UD, UK

Tel +44(0)1291 620796  
Fax: +44(0)1291 626490

[www.reidlifting.com](http://www.reidlifting.com)

[enquiries@reidlifting.com](mailto:enquiries@reidlifting.com)

	NAME	DATE
DRAWN	TB	19/05/2021
CHK'D		
APPR'D	CM	10/03/2023

UNLESS OTHERWISE SPECIFIED:  
DIMENSIONS ARE IN MILLIMETERS

ALL COPYRIGHT AND DESIGN RIGHT SUBSISTING IN THIS DOCUMENT IS THE PROPERTY OF REID LIFTING LIMITED AND MAY NOT BE REPRODUCED WITHOUT REID LIFTING'S CONSENT. THIS DOCUMENT AND THE INFORMATION CONTAINED WITHIN IT IS CONFIDENTIAL AND MAY NOT BE DISCLOSED TO ANY THIRD PARTY NOR USED FOR ANY UNAUTHORISED PURPOSE WITHOUT REID LIFTING'S CONSENT



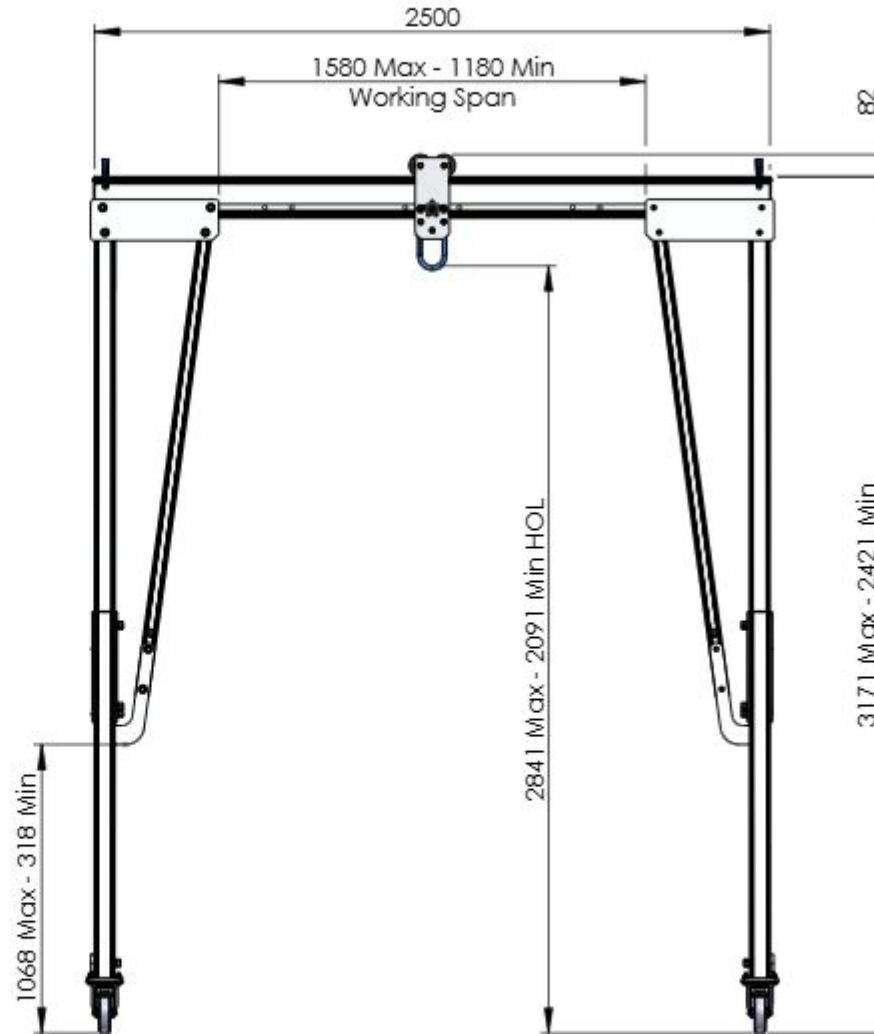
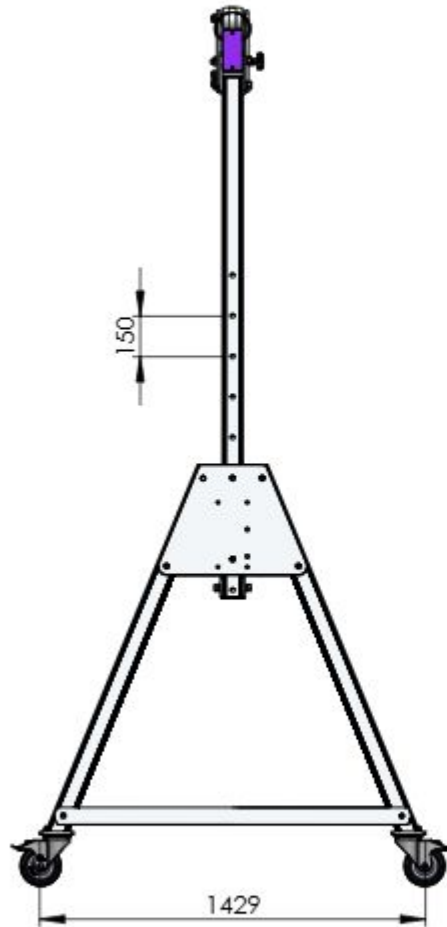
TITLE: **General Arrangement of REID Lifting Porta-Gantry Size: Small - 9000mm Beam**

DWG NO. **PGSS01000S-9000B** **A4**

Estimated Weight: 148 kg 1:50 SHEET 2 OF 2



To ensure stability of the structure, the working span of the beam must be equal to or greater than the distance between the castor on the A-frame



DO NOT SCALE DRAWING

REVISION **02**



Reid Lifting Limited. Unit 1  
Wyeview, Newhouse Farm Ind. Est.,  
Chepstow, Monmouthshire,  
NP16 6UD, UK

Tel +44(0) 1291 620796  
Fax +44(0) 1291 626490

[www.reidlifting.com](http://www.reidlifting.com)

[enquiries@reidlifting.com](mailto:enquiries@reidlifting.com)

	NAME	DATE	FINISH:
DRAWN	TB	24/05/2021	Anodised
CHK'D			MATERIAL:
APPR'D	CM	10/03/2023	Aluminium Alloy
<small>ALL COPYRIGHT AND DESIGN RIGHT SUBSISTING IN THIS DOCUMENT IS THE PROPERTY OF REID LIFTING LIMITED AND MAY NOT BE REPRODUCED WITHOUT REID LIFTING'S CONSENT. THIS DOCUMENT AND THE INFORMATION CONTAINED WITHIN IT IS CONFIDENTIAL AND MAY NOT BE DISCLOSED TO ANY THIRD PARTY NOR USED FOR ANY UNAUTHORISED PURPOSE WITHOUT REID LIFTING'S CONSENT</small>			
<small>UNLESS OTHERWISE SPECIFIED: DIMENSIONS ARE IN MILLIMETERS</small>			

TITLE: **General Arrangement of REID Lifting PORTA-GANTRY Size Medium - 2500mm Beam WLL1000kg**

DWG NO. **PGSS01000M-2500A** A4

Estimated Weight: 102 kg 1:28 SHEET 1 OF 2

## General Specification

- Maximum rated capacity for goods lifting - 1000kg
- Maximum rated capacity for personnel lifting - 500kg
- Beam deflection at maximum rated capacity of 1000kg - 5-10 mm at centre of span
- Maximum castor surface pressure at full load - 28.34 Mpa
- Assembled gantry weight (excluding trolleys) - 102kg
- All welding to BS EN ISO 15614-2: 2005 by certified welders.
- For further details and assembly information refer to Operations and Maintenance Manual for Porta Gantry Product. (available at [www.reidlifting.com](http://www.reidlifting.com))

## Fall Protection Standards

- Certified to EN795:2012 Type B & supplied under PPE Regulation 2016/425
- Notified Body Witness tested to the requirements of PD CEN/TS16415:2013 for 3 persons
- Exceeds the requirements of IRATA ICOP & BS7985 (15kN MBL)
- Tested to and meets the requirements of ANSI Z359.18.2017 for 2 persons.

## Materials & Finishes

- Frame and beam - 6082 T6 Aluminium alloy. Anodised.
- Castors - Steel. Bright Zinc Plated.
- Castor Wheels & Rollers - Nylon & Polyurethane
- Fixings - Steel. Grade 12.9. Bright Zinc Plated.

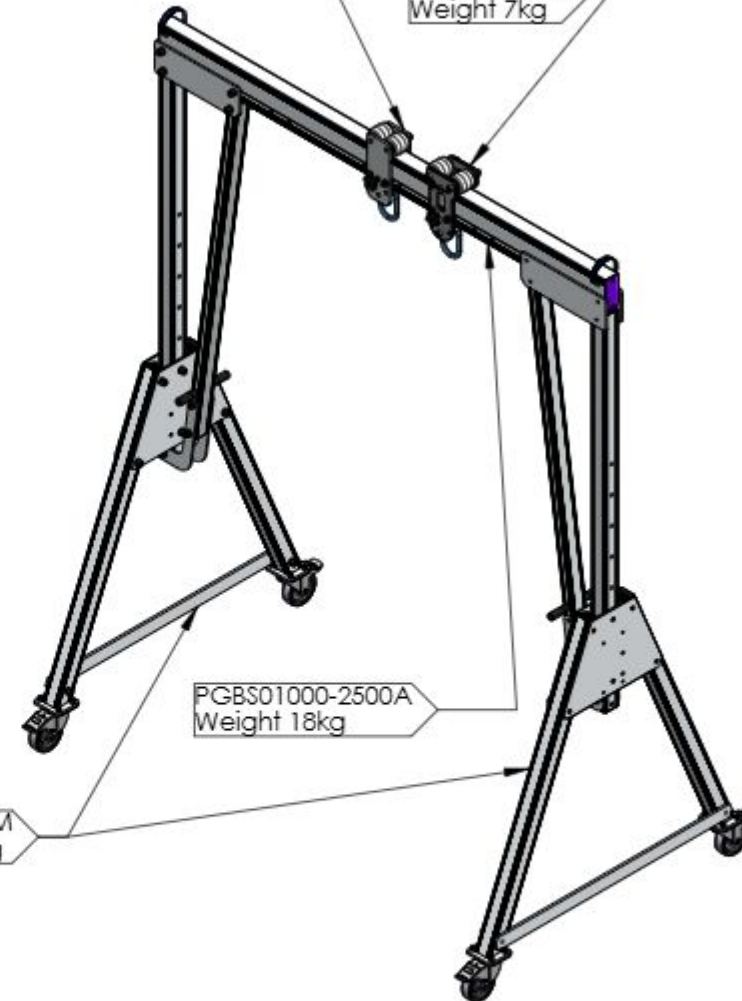
PGTZO1000  
Weight 8kg

PGTGS01000  
Weight 7kg

Note: Master Link Trolleys shown in system as a reference

PGBS01000-2500A  
Weight 18kg

PGAS01000M  
Weight 42kg



Approved

DO NOT SCALE DRAWING

REVISION **02**



Reid Lifting Limited. Unit 1  
Wyeview, Newhouse Farm Ind. Est.,  
Chepstow, Monmouthshire.  
NP16 6UD, UK

Tel +44(0)1291 620796  
Fax: +44(0)1291 626490

[www.reidlifting.com](http://www.reidlifting.com)

[enquiries@reidlifting.com](mailto:enquiries@reidlifting.com)

	NAME	DATE
DRAWN	TB	24/05/2021
CHK'D		
APPR'D	CM	10/03/2023

UNLESS OTHERWISE SPECIFIED:  
DIMENSIONS ARE IN MILLIMETERS

ALL COPYRIGHT AND DESIGN RIGHT SUBSISTING IN THIS DOCUMENT IS THE PROPERTY OF REID LIFTING LIMITED AND MAY NOT BE REPRODUCED WITHOUT REID LIFTING'S CONSENT. THIS DOCUMENT AND THE INFORMATION CONTAINED WITHIN IT IS CONFIDENTIAL AND MAY NOT BE DISCLOSED TO ANY THIRD PARTY NOR USED FOR ANY UNAUTHORISED PURPOSE WITHOUT REID LIFTING'S CONSENT



TITLE: **General Arrangement of REID Lifting PORTA-GANTRY Size Medium - 2500mm Beam WLL1000kg**

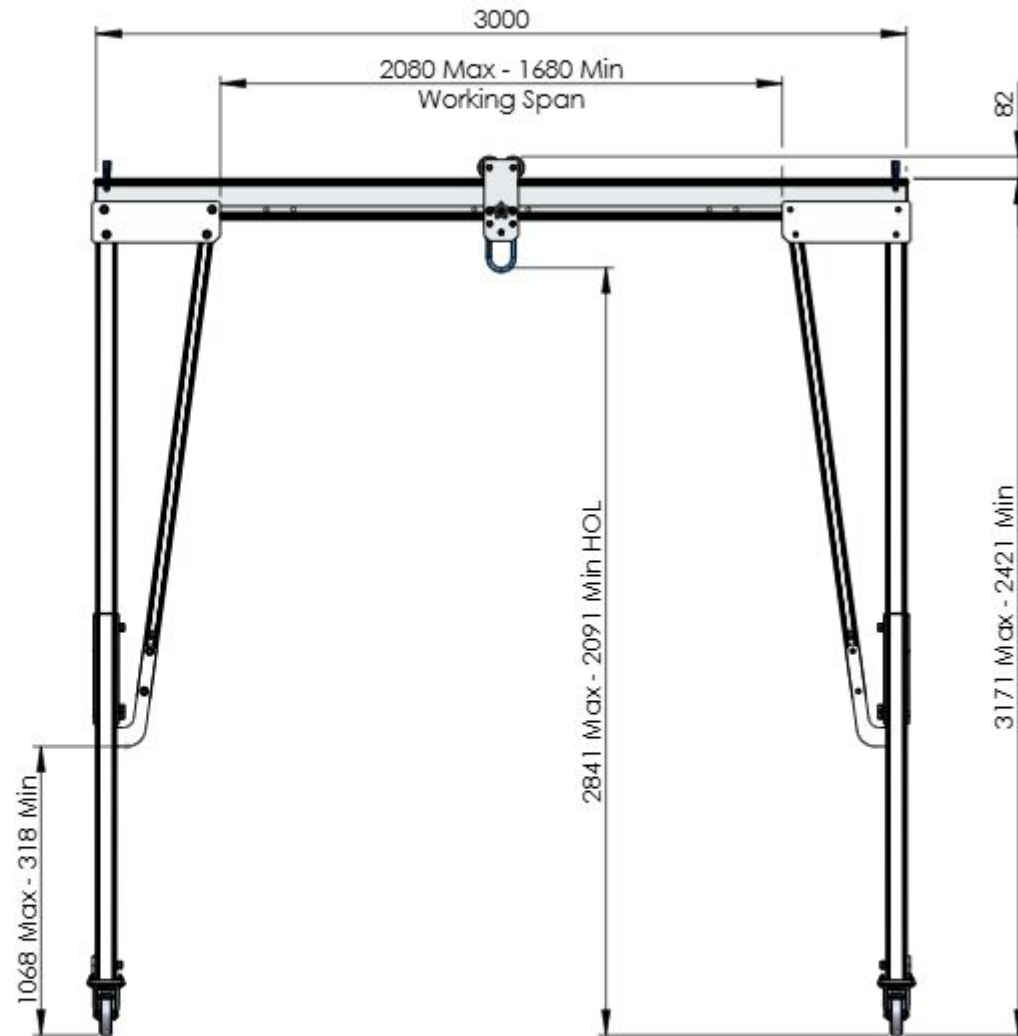
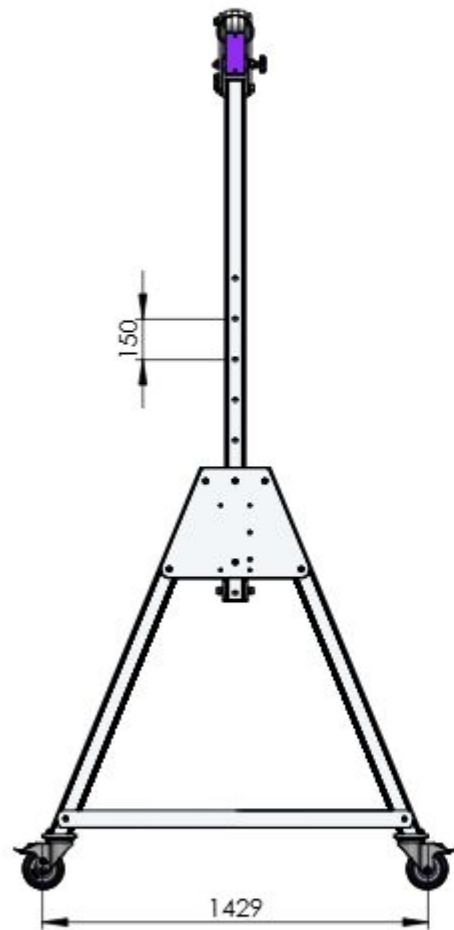
DWG NO. **PGSS01000M-2500A**

A4

Estimated Weight: 102 kg

1:30

SHEET 2 OF 2



DO NOT SCALE DRAWING

REVISION **02**



Reid Lifting Limited. Unit 1  
Wyeview, Newhouse Farm Ind. Est.,  
Chepstow, Monmouthshire,  
NP16 6UD, UK

Tel +44(0) 1291 620796  
Fax +44(0) 1291 626490

[www.reidlifting.com](http://www.reidlifting.com)

[enquiries@reidlifting.com](mailto:enquiries@reidlifting.com)

	NAME	DATE	FINISH:
DRAWN	TB	24/05/2021	Anodised
CHK'D			MATERIAL:
APP'VD	CM	10/03/2023	Aluminium Alloy
<small>ALL COPYRIGHT AND DESIGN RIGHT SUBSISTING IN THIS DOCUMENT IS THE PROPERTY OF REID LIFTING LIMITED AND MAY NOT BE REPRODUCED WITHOUT REID LIFTING'S CONSENT. THIS DOCUMENT AND THE INFORMATION CONTAINED WITHIN IT IS CONFIDENTIAL AND MAY NOT BE DISCLOSED TO ANY THIRD PARTY NOR USED FOR ANY UNAUTHORISED PURPOSE WITHOUT REID LIFTING'S CONSENT</small>			
<small>UNLESS OTHERWISE SPECIFIED: DIMENSIONS ARE IN MILLIMETERS</small>			



TITLE: **General Arrangement of REID Lifting PORTA-GANTRY Size Medium - 3000mm Beam WLL1000kg**

DWG NO. **PGSS01000M-3000A** A4

Estimated Weight: 106 kg 1:28 SHEET 1 OF 2

## General Specification

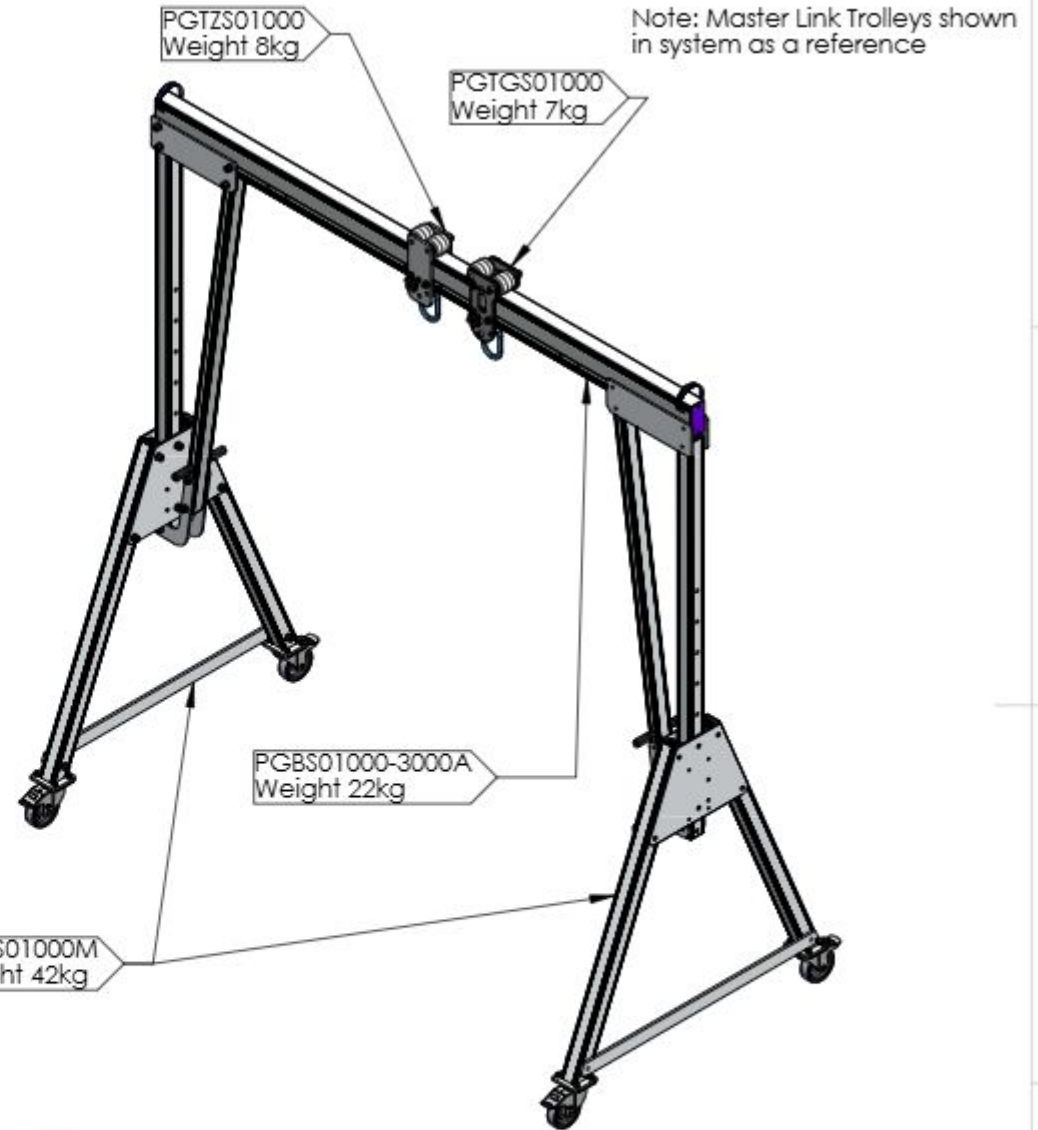
- Maximum rated capacity for goods lifting - 1000kg
- Maximum rated capacity for personnel lifting - 500kg
- Beam deflection at maximum rated capacity of 1000kg - 5-10 mm at centre of span
- Maximum castor surface pressure at full load - 28.39 MPa
- Assembled gantry weight (excluding trolleys) - 106kg
- All welding to BS EN ISO 15614-2: 2005 by certified welders.
- For further details and assembly information refer to Operations and Maintenance Manual for Porta Gantry Product. (available at [www.reidlifting.com](http://www.reidlifting.com))

## Fall Protection Standards

- Certified to EN795:2012 Type B & supplied under PPE Regulation 2016/425
- Notified Body Witness tested to the requirements of PD CEN/TS16415:2013 for 3 persons
- Exceeds the requirements of IRATA ICOP & BS7985 (15kN MBL)
- Tested to and meets the requirements of ANSI Z359.18.2017 for 2 persons.

## Materials & Finishes

- Frame and beam - 6082 T6 Aluminium alloy. Anodised.
- Castors - Steel. Bright Zinc Plated.
- Castor Wheels & Rollers - Nylon & Polyurethane
- Fixings - Steel. Grade 12.9. Bright Zinc Plated.



Approved

DO NOT SCALE DRAWING

REVISION **02**

**REID**  
**LIFTING**

Reid Lifting Limited. Unit 1  
Wyeview, Newhouse Farm Ind. Est.,  
Chepstow, Monmouthshire.  
NP16 6UD, UK

Tel +44(0)1291 620796  
Fax: +44(0)1291 626490

[www.reidlifting.com](http://www.reidlifting.com)

[enquiries@reidlifting.com](mailto:enquiries@reidlifting.com)

	NAME	DATE
DRAWN	TB	24/05/2021
CHK'D		
APPR'D	CM	10/03/2023

UNLESS OTHERWISE SPECIFIED:  
DIMENSIONS ARE IN MILLIMETERS

ALL COPYRIGHT AND DESIGN RIGHT SUBSISTING IN THIS DOCUMENT IS THE PROPERTY OF REID LIFTING LIMITED AND MAY NOT BE REPRODUCED WITHOUT REID LIFTING'S CONSENT. THIS DOCUMENT AND THE INFORMATION CONTAINED WITHIN IT IS CONFIDENTIAL AND MAY NOT BE DISCLOSED TO ANY THIRD PARTY NOR USED FOR ANY UNAUTHORISED PURPOSE WITHOUT REID LIFTING'S CONSENT



TITLE: **General Arrangement of REID Lifting PORTA-GANTRY Size Medium - 3000mm Beam WLL1000kg**

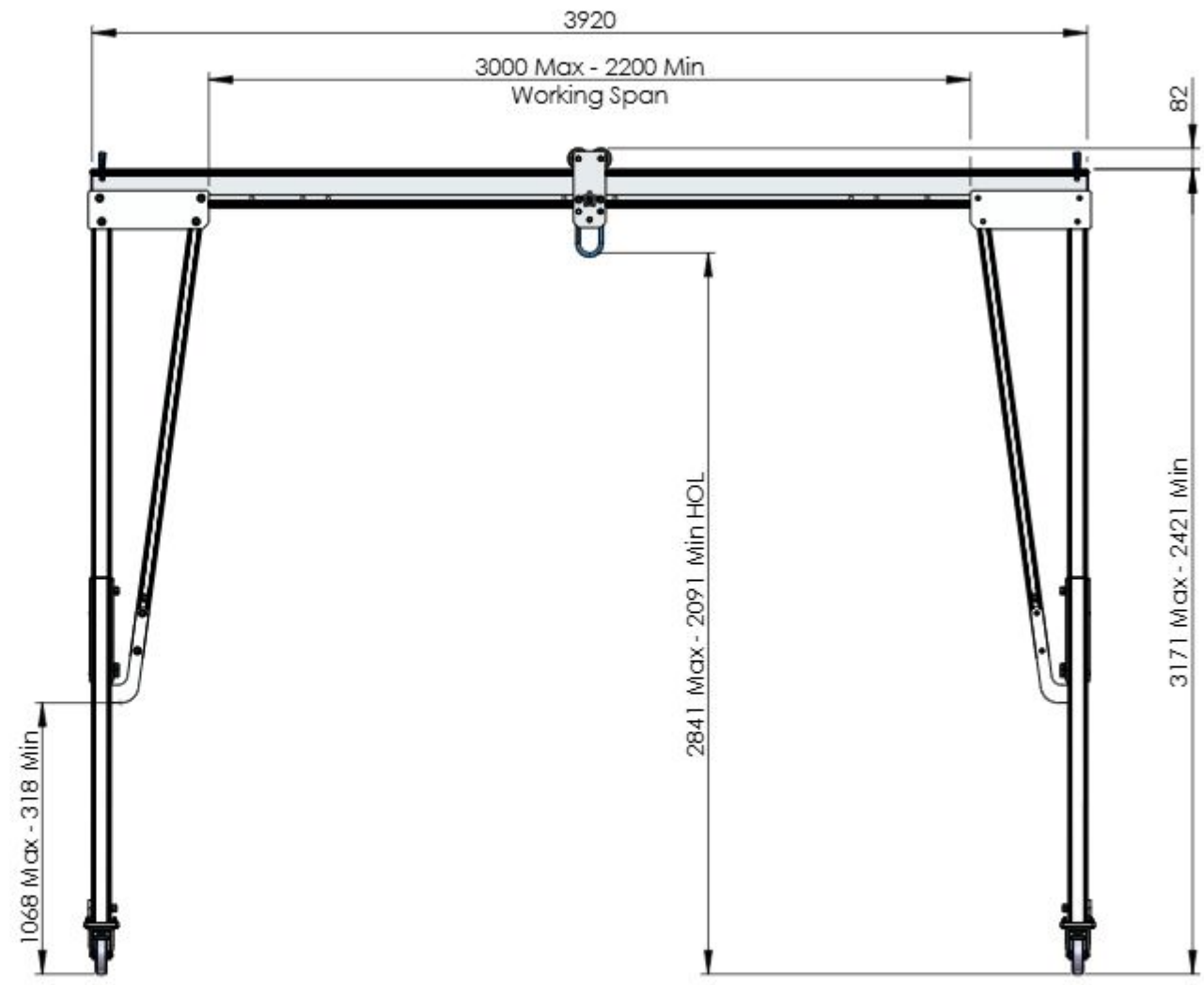
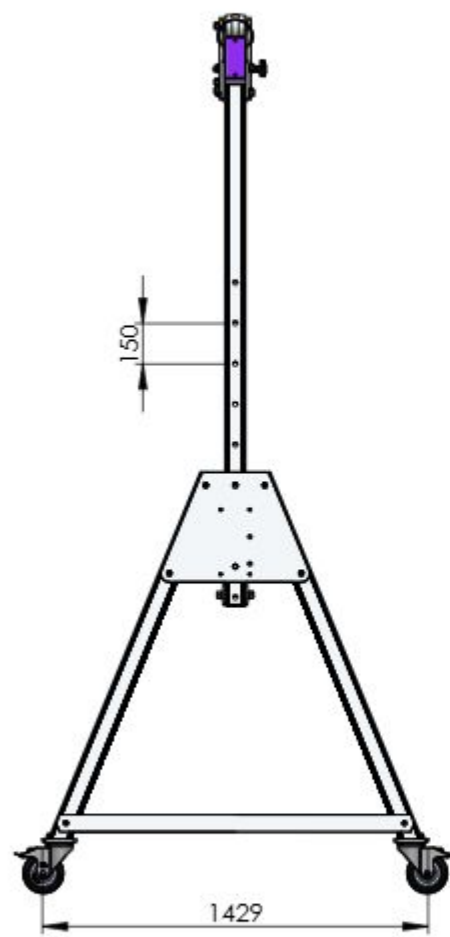
DWG NO. **PGSS01000M-3000A**

A4

Estimated Weight: 106 kg

1:30

SHEET 2 OF 2



DO NOT SCALE DRAWING

REVISION **03**



Reid Lifting Limited. Unit 1  
Wyeview, Newhouse Farm Ind. Est.,  
Chepstow, Monmouthshire.  
NP16 6UD, UK  
Tel +44(0) 1291 620796  
Fax +44(0) 1291 626490  
[www.reidlifting.com](http://www.reidlifting.com)  
[enquiries@reidlifting.com](mailto:enquiries@reidlifting.com)

	NAME	DATE	FINISH:
DRAWN	BJ	24/03/2021	Anodised
CHK'D			MATERIAL:
APP'VD	AB	01/03/2023	Aluminium Alloy
<small>ALL COPYRIGHT AND DESIGN RIGHT SUBSISTING IN THIS DOCUMENT IS THE PROPERTY OF REID LIFTING LIMITED AND MAY NOT BE REPRODUCED WITHOUT REID LIFTING'S CONSENT. THIS DOCUMENT AND THE INFORMATION CONTAINED WITHIN IT IS CONFIDENTIAL AND MAY NOT BE DISCLOSED TO ANY THIRD PARTY NOR USED FOR ANY UNAUTHORISED PURPOSE WITHOUT REID LIFTING'S CONSENT</small>			
<small>UNLESS OTHERWISE SPECIFIED: DIMENSIONS ARE IN MILLIMETERS</small>			

TITLE:	<b>General Arrangement of REID Lifting PORTA-GANTRY Size Medium - 3920mm Beam WLL1000kg</b>
DWG NO.	<b>PGSS01000M-3920A</b>
Estimated Weight:	113 kg
	1:28
	SHEET 1 OF 2

A4

## General Specification

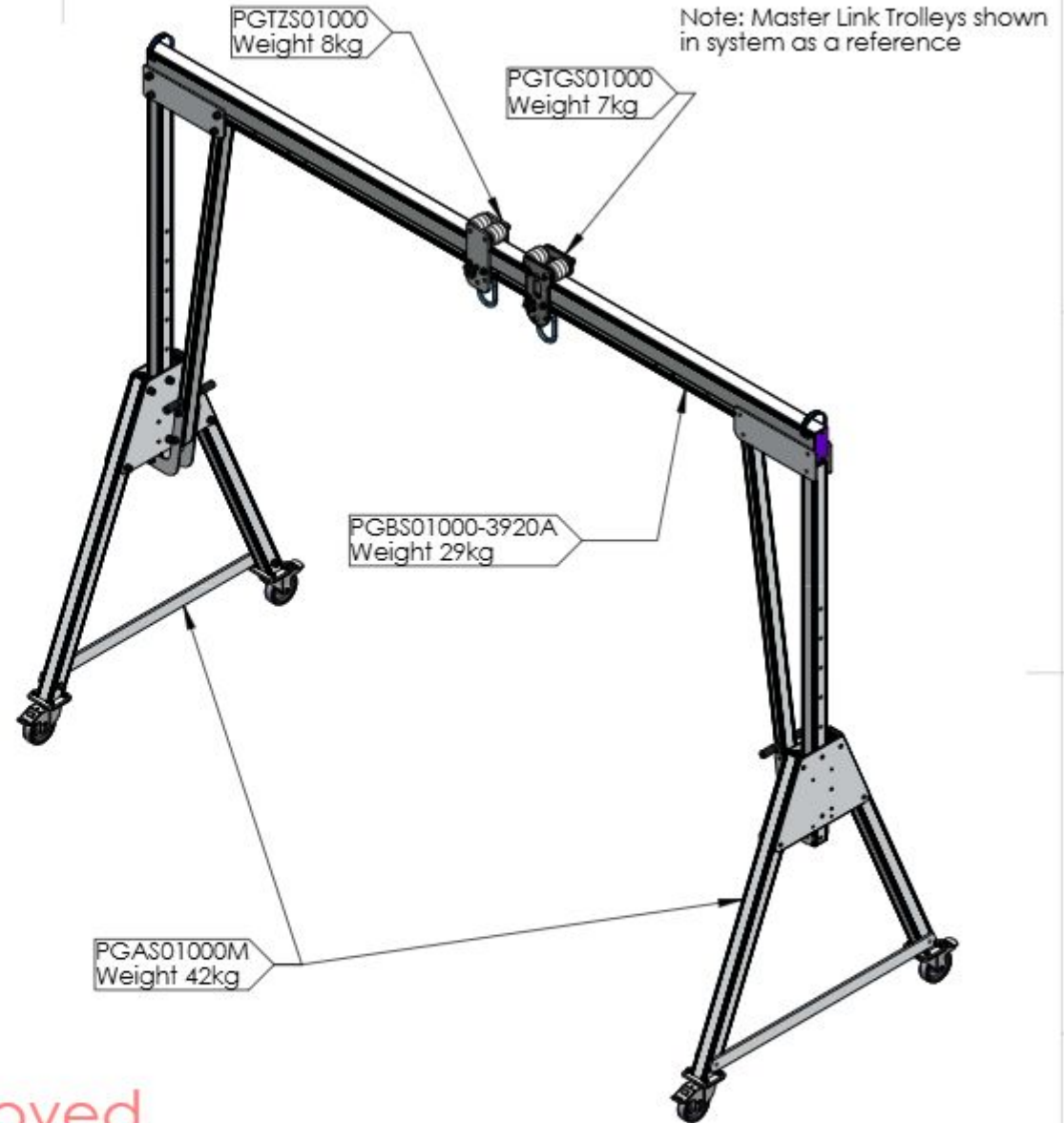
- Maximum rated capacity for goods lifting - 1000kg
- Maximum rated capacity for personnel lifting - 500kg
- Beam deflection at maximum rated capacity of 1000kg - 15-20 mm at centre of span
- Maximum castor surface pressure at full load - 28.48 MPa
- Assembled gantry weight (excluding trolleys) - 113kg
- All welding to BS EN ISO 15614-2: 2005 by certified welders.
- For further details and assembly information refer to Operations and Maintenance Manual for Porta Gantry Product. (available at [www.reidlifting.com](http://www.reidlifting.com))

## Fall Protection Standards

- Certified to EN795:2012 Type B & supplied under PPE Regulation 2016/425
- Notified Body Witness tested to the requirements of PD CEN/TS16415:2013 for 3 persons
- Exceeds the requirements of IRATA ICOP & BS7985 (15kN MBL)
- Tested to and meets the requirements of ANSI Z359.18.2017 for 2 persons.

## Materials & Finishes

- Frame and beam - 6082 T6 Aluminium alloy. Anodised.
- Castors - Steel. Bright Zinc Plated.
- Castor Wheels & Rollers - Nylon & Polyurethane
- Fixings - Steel. Grade 12.9. Bright Zinc Plated.



Approved

DO NOT SCALE DRAWING

REVISION

03



Reid Lifting Limited. Unit 1  
Wyeview, Newhouse Farm Ind. Est.,  
Chepstow, Monmouthshire.  
NP16 6UD, UK

Tel +44(0)1291 620796  
Fax: +44(0)1291 626490

[www.reidlifting.com](http://www.reidlifting.com)

[enquiries@reidlifting.com](mailto:enquiries@reidlifting.com)

	NAME	DATE
DRAWN	BJ	24/03/2021
CHK'D		
APPR'D	AB	01/03/2023

UNLESS OTHERWISE SPECIFIED:  
DIMENSIONS ARE IN MILLIMETERS

ALL COPYRIGHT AND DESIGN RIGHT SUBSISTING IN THIS DOCUMENT IS THE PROPERTY OF REID LIFTING LIMITED AND MAY NOT BE REPRODUCED WITHOUT REID LIFTING'S CONSENT. THIS DOCUMENT AND THE INFORMATION CONTAINED WITHIN IT IS CONFIDENTIAL AND MAY NOT BE DISCLOSED TO ANY THIRD PARTY NOR USED FOR ANY UNAUTHORISED PURPOSE WITHOUT REID LIFTING'S CONSENT



TITLE: **General Arrangement of REID Lifting PORTA-GANTRY Size Medium - 3920mm Beam WLL1000kg**

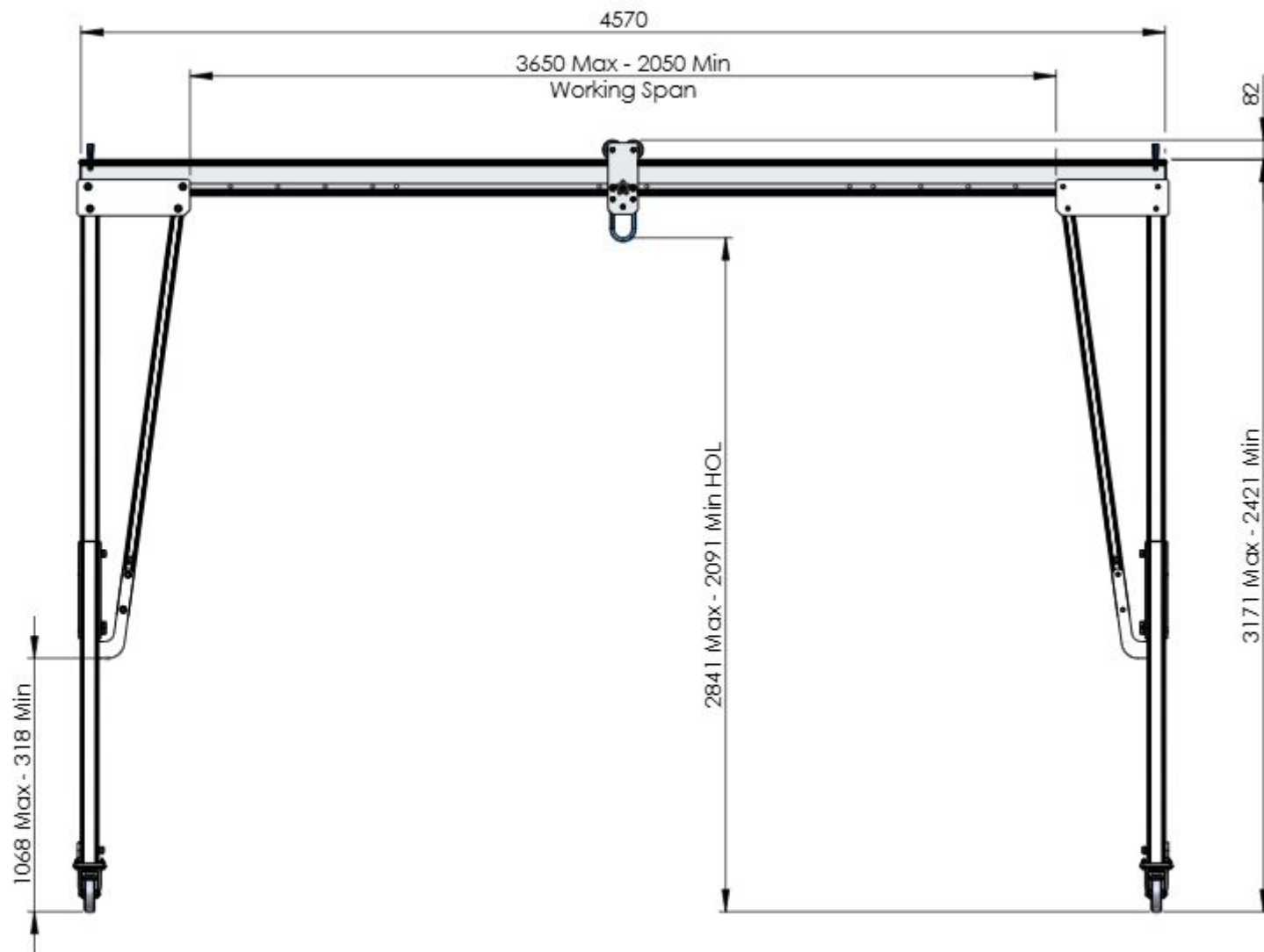
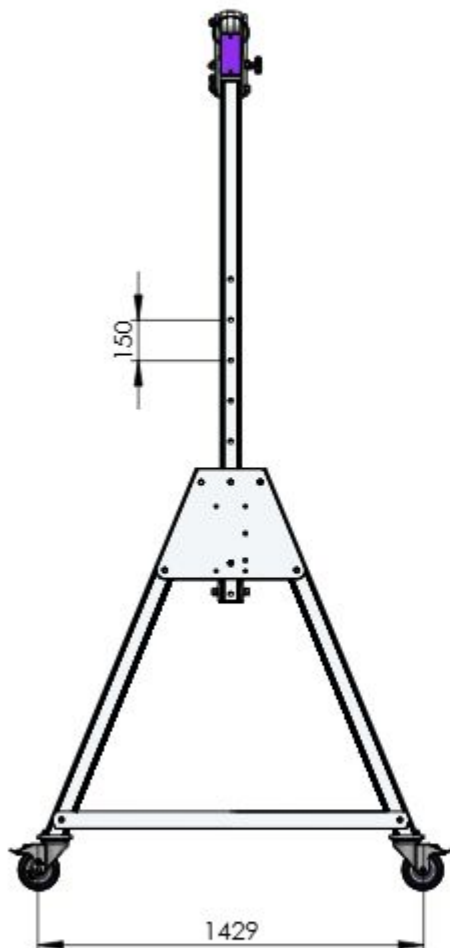
DWG NO. **PGSS01000M-3920A**

A4

Estimated Weight: 113 kg

1:30

SHEET 2 OF 2



DO NOT SCALE DRAWING

REVISION **02**



Reid Lifting Limited. Unit 1  
Wyeview, Newhouse Farm Ind. Est.,  
Chepstow, Monmouthshire.  
NP16 6UD, UK

Tel +44(0) 1291 620796  
Fax +44(0) 1291 626490

[www.reidlifting.com](http://www.reidlifting.com)

[enquiries@reidlifting.com](mailto:enquiries@reidlifting.com)

	NAME	DATE	FINISH:
DRAWN	TB	24/05/2021	Anodised
CHK'D			MATERIAL:
APP'VD	CM	10/03/2023	Aluminium Alloy
<small>ALL COPYRIGHT AND DESIGN RIGHT SUBSISTING IN THIS DOCUMENT IS THE PROPERTY OF REID LIFTING LIMITED AND MAY NOT BE REPRODUCED WITHOUT REID LIFTING'S CONSENT. THIS DOCUMENT AND THE INFORMATION CONTAINED WITHIN IT IS CONFIDENTIAL AND MAY NOT BE DISCLOSED TO ANY THIRD PARTY NOR USED FOR ANY UNAUTHORISED PURPOSE WITHOUT REID LIFTING'S CONSENT</small>			
<small>UNLESS OTHERWISE SPECIFIED: DIMENSIONS ARE IN MILLIMETERS</small>			



TITLE: **General Arrangement of REID Lifting PORTA-GANTRY Size Medium - 4570mm Beam WLL1000kg**

DWG NO. **PGSS01000M-4570A** A4

Estimated Weight: 117 kg 1:28 SHEET 1 OF 2

## General Specification

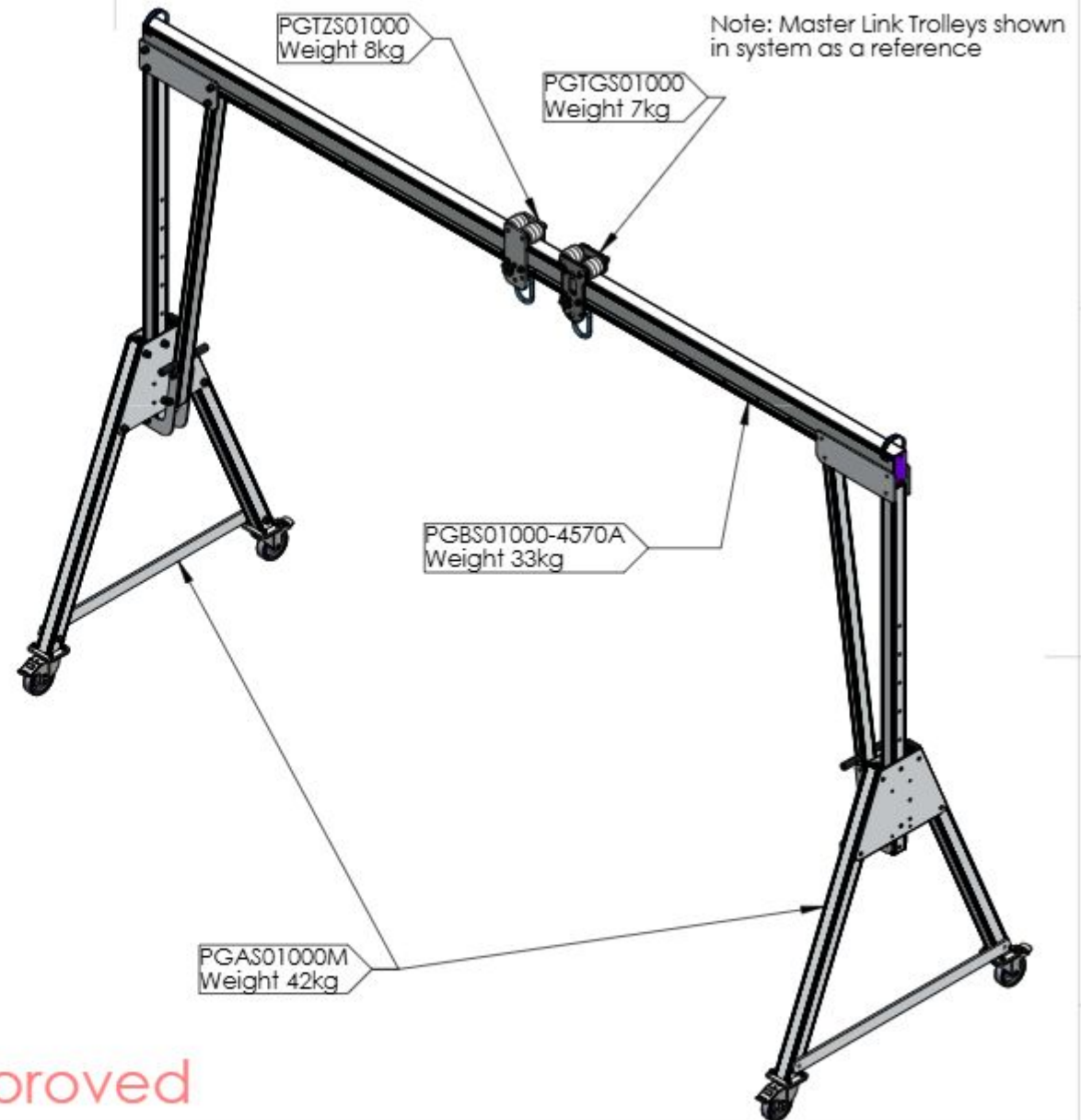
- Maximum rated capacity for goods lifting - 1000kg
- Maximum rated capacity for personnel lifting - 500kg
- Beam deflection at maximum rated capacity of 1000kg - 20-30 mm at centre of span
- Maximum castor surface pressure at full load - 28.54 MPa
- Assembled gantry weight (excluding trolleys) - 117kg
- All welding to BS EN ISO 15614-2: 2005 by certified welders.
- For further details and assembly information refer to Operations and Maintenance Manual for Porta Gantry Product. (available at [www.reidlifting.com](http://www.reidlifting.com))

## Fall Protection Standards

- Certified to EN795:2012 Type B & supplied under PPE Regulation 2016/425
- Notified Body Witness tested to the requirements of PD CEN/TS16415:2013 for 3 persons
- Exceeds the requirements of IRATA ICOP & BS7985 (15kN MBL)
- Tested to and meets the requirements of ANSI Z359.18.2017 for 2 persons.

## Materials & Finishes

- Frame and beam - 6082 T6 Aluminium alloy. Anodised.
- Castors - Steel. Bright Zinc Plated.
- Castor Wheels & Rollers - Nylon & Polyurethane
- Fixings - Steel. Grade 12.9. Bright Zinc Plated.



Approved

DO NOT SCALE DRAWING

REVISION

02



Reid Lifting Limited. Unit 1  
Wyeview, Newhouse Farm Ind. Est.,  
Chepstow, Monmouthshire.  
NP16 6UD, UK

Tel +44(0)1291 620796  
Fax: +44(0)1291 626490

[www.reidlifting.com](http://www.reidlifting.com)

[enquiries@reidlifting.com](mailto:enquiries@reidlifting.com)

	NAME	DATE
DRAWN	TB	24/05/2021
CHK'D		
APP'VD	CM	10/03/2023

UNLESS OTHERWISE SPECIFIED:  
DIMENSIONS ARE IN MILLIMETERS

ALL COPYRIGHT AND DESIGN RIGHT SUBSISTING IN THIS DOCUMENT IS THE PROPERTY OF REID LIFTING LIMITED AND MAY NOT BE REPRODUCED WITHOUT REID LIFTING'S CONSENT. THIS DOCUMENT AND THE INFORMATION CONTAINED WITHIN IT IS CONFIDENTIAL AND MAY NOT BE DISCLOSED TO ANY THIRD PARTY NOR USED FOR ANY UNAUTHORISED PURPOSE WITHOUT REID LIFTING'S CONSENT



TITLE: **General Arrangement of REID Lifting PORTA-GANTRY Size Medium - 4570mm Beam WLL1000kg**

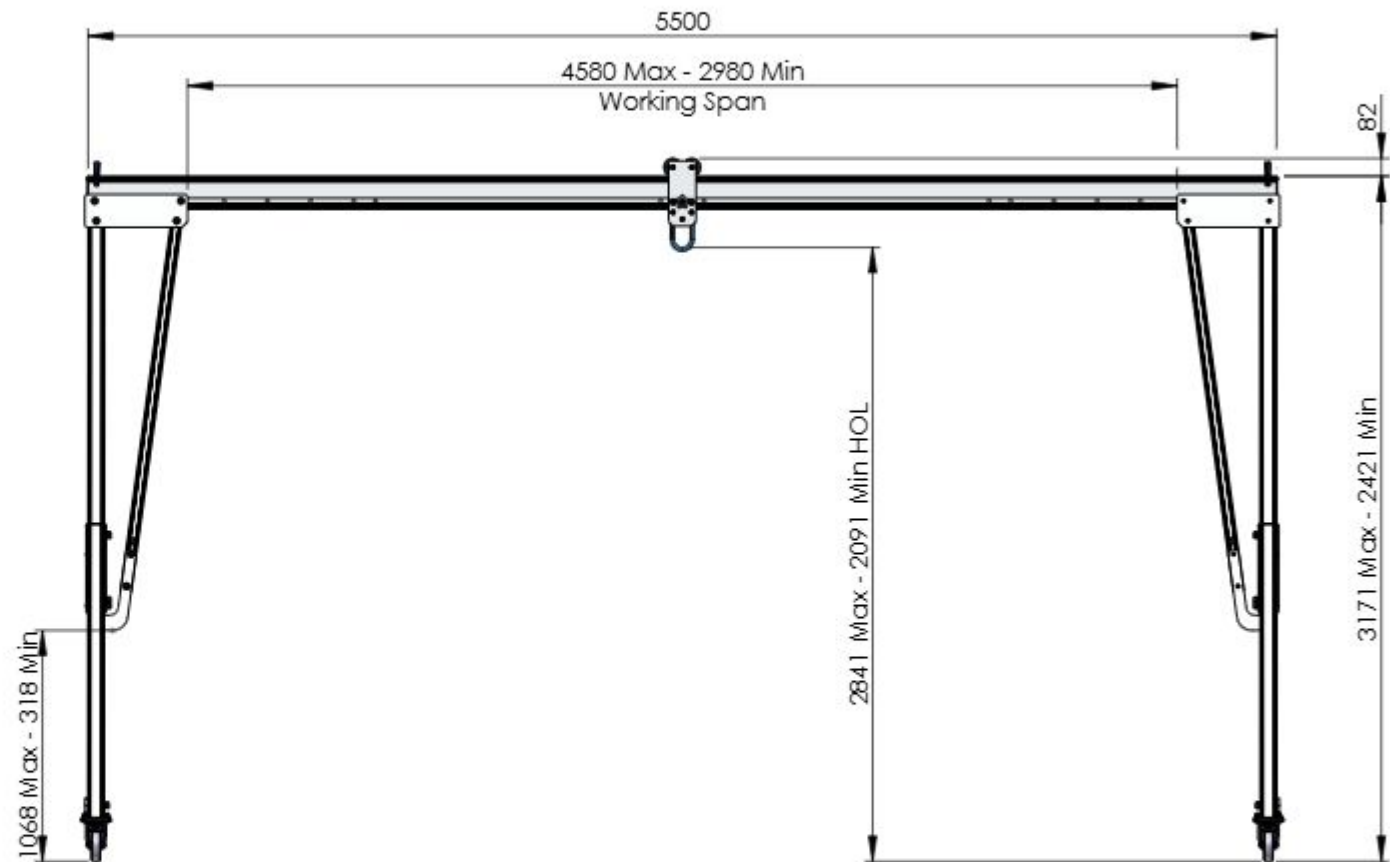
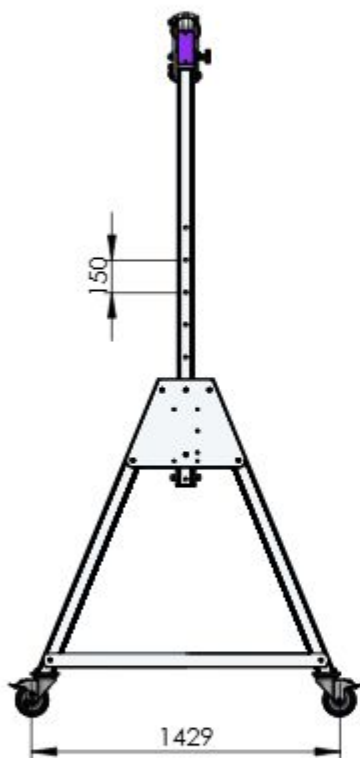
DWG NO. **PGSS01000M-4570A**

A4

Estimated Weight: 117 kg

1:30

SHEET 2 OF 2



DO NOT SCALE DRAWING

REVISION **02**



Reid Lifting Limited. Unit 1  
Wyeview, Newhouse Farm Ind. Est.,  
Chepstow, Monmouthshire.  
NP16 6UD, UK

Tel +44(0) 1291 620796  
Fax +44(0) 1291 626490

[www.reidlifting.com](http://www.reidlifting.com)

[enquiries@reidlifting.com](mailto:enquiries@reidlifting.com)

	NAME	DATE	FINISH:
DRAWN	TB	24/05/2021	Anodised
CHK'D			MATERIAL:
APP'VD	CM	10/03/2023	Aluminium Alloy
<small>ALL COPYRIGHT AND DESIGN RIGHT SUBSISTING IN THIS DOCUMENT IS THE PROPERTY OF REID LIFTING LIMITED AND MAY NOT BE REPRODUCED WITHOUT REID LIFTING'S CONSENT. THIS DOCUMENT AND THE INFORMATION CONTAINED WITHIN IT IS CONFIDENTIAL AND MAY NOT BE DISCLOSED TO ANY THIRD PARTY NOR USED FOR ANY UNAUTHORISED PURPOSE WITHOUT REID LIFTING'S CONSENT</small>			
<small>UNLESS OTHERWISE SPECIFIED: DIMENSIONS ARE IN MILLIMETERS</small>			

TITLE: **General Arrangement of REID Lifting PORTA-GANTRY Size Medium - 5500mm Beam WLL1000kg**

DWG NO.	<b>PGSS01000M-5500A</b>	A4
Estimated Weight:	124 kg	1:35
		SHEET 1 OF 2

## General Specification

- Maximum rated capacity for goods lifting - 1000kg
- Maximum rated capacity for personnel lifting - 500kg
- Beam deflection at maximum rated capacity of 1000kg - 42-52 mm at centre of span
- Maximum castor surface pressure at full load - 28.63 MPa
- Assembled gantry weight (excluding trolleys) - 124kg
- All welding to BS EN ISO 15614-2: 2005 by certified welders.
- For further details and assembly information refer to Operations and Maintenance Manual for Porta Gantry Product. (available at [www.reidlifting.com](http://www.reidlifting.com))

## Fall Protection Standards

- Certified to EN795:2012 Type B & supplied under PPE Regulation 2016/425
- Notified Body Witness tested to the requirements of PD CEN/TS16415:2013 for 3 persons
- Exceeds the requirements of IRATA ICOP & BS7985 (15kN MBL)

## Materials & Finishes

- Frame and beam - 6082 T6 Aluminium alloy. Anodised.
- Castors - Steel. Bright Zinc Plated.
- Castor Wheels & Rollers - Nylon & Polyurethane
- Fixings - Steel. Grade 12:9. Bright Zinc Plated.

Note: Master Link Trolleys shown in system as a reference



Approved

DO NOT SCALE DRAWING

REVISION **02**



Reid Lifting Limited. Unit 1  
Wyeview, Newhouse Farm Ind. Est.,  
Chepstow, Monmouthshire.  
NP16 6UD, UK

Tel +44(0)1291 620796  
Fax: +44(0)1291 626490

[www.reidlifting.com](http://www.reidlifting.com)

[enquiries@reidlifting.com](mailto:enquiries@reidlifting.com)

	NAME	DATE
DRAWN	TB	24/05/2021
CHK'D		
APPR'D	CM	10/03/2023

UNLESS OTHERWISE SPECIFIED:  
DIMENSIONS ARE IN MILLIMETERS

ALL COPYRIGHT AND DESIGN RIGHT SUBSISTING IN THIS DOCUMENT IS THE PROPERTY OF REID LIFTING LIMITED AND MAY NOT BE REPRODUCED WITHOUT REID LIFTING'S CONSENT. THIS DOCUMENT AND THE INFORMATION CONTAINED WITHIN IT IS CONFIDENTIAL AND MAY NOT BE DISCLOSED TO ANY THIRD PARTY NOR USED FOR ANY UNAUTHORISED PURPOSE WITHOUT REID LIFTING'S CONSENT



TITLE: **General Arrangement of REID Lifting PORTA-GANTRY Size Medium - 5500mm Beam WLL1000kg**

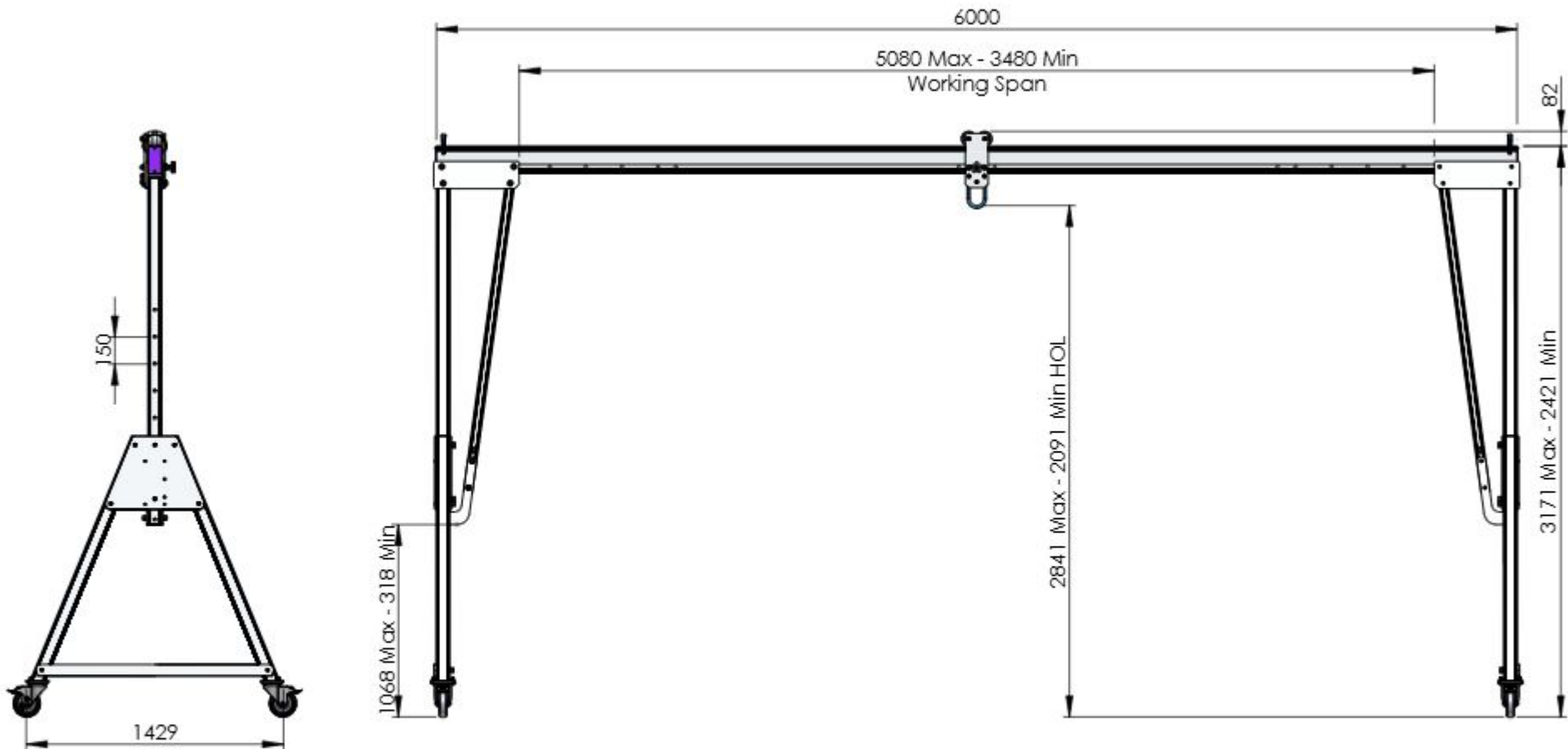
DWG NO. **PGSS01000M-5500A**

A4

Estimated Weight: 124 kg

1:45

SHEET 2 OF 2



DO NOT SCALE DRAWING

REVISION **02**



Reid Lifting Limited. Unit 1  
Wyeview, Newhouse Farm Ind. Est.,  
Chepstow, Monmouthshire.  
NP16 6UD, UK

Tel +44(0) 1291 620796  
Fax +44(0) 1291 626490

[www.reidlifting.com](http://www.reidlifting.com)

[enquiries@reidlifting.com](mailto:enquiries@reidlifting.com)

	NAME	DATE	FINISH:
DRAWN	TB	24/05/2021	Anodised
CHK'D			MATERIAL:
APP'VD	CM	10/03/2023	Aluminium Alloy
<small>ALL COPYRIGHT AND DESIGN RIGHT SUBSISTING IN THIS DOCUMENT IS THE PROPERTY OF REID LIFTING LIMITED AND MAY NOT BE REPRODUCED WITHOUT REID LIFTING'S CONSENT. THIS DOCUMENT AND THE INFORMATION CONTAINED WITHIN IT IS CONFIDENTIAL AND MAY NOT BE DISCLOSED TO ANY THIRD PARTY NOR USED FOR ANY UNAUTHORISED PURPOSE WITHOUT REID LIFTING'S CONSENT</small>			
<small>UNLESS OTHERWISE SPECIFIED: DIMENSIONS ARE IN MILLIMETERS</small>			



TITLE: **General Arrangement of REID Lifting PORTA-GANTRY Size Medium - 6000mm Beam WLL1000kg**

DWG NO. **PGSS01000M-6000A** A4

Estimated Weight: 128 kg 1:45 SHEET 1 OF 2

## General Specification

- Maximum rated capacity for goods lifting - 1000kg
- Maximum rated capacity for personnel lifting - 500kg
- Beam deflection at maximum rated capacity of 1000kg - 45-55 mm at centre of span
- Maximum castor surface pressure at full load - 28.68 MPa
- Assembled gantry weight (excluding trolleys) - 128kg
- All welding to BS EN ISO 15614-2: 2005 by certified welders.
- For further details and assembly information refer to Operations and Maintenance Manual for Porta Gantry Product. (available at [www.reidlifting.com](http://www.reidlifting.com))

## Fall Protection Standards

- Certified to EN795:2012 Type B & supplied under PPE Regulation 2016/425
- Notified Body Witness tested to the requirements of PD CEN/TS16415:2013 for 3 persons
- Exceeds the requirements of IRATA ICOP & BS7985 (15kN MBL)

## Materials & Finishes

- Frame and beam - 6082 T6 Aluminium alloy. Anodised.
- Castors - Steel. Bright Zinc Plated.
- Castor Wheels & Rollers - Nylon & Polyurethane
- Fixings - Steel. Grade 12:9. Bright Zinc Plated.

Note: Master Link Trolleys shown in system as a reference



Approved

DO NOT SCALE DRAWING

REVISION **02**



Reid Lifting Limited. Unit 1  
Wyeview, Newhouse Farm Ind. Est.,  
Chepstow, Monmouthshire.  
NP16 6UD, UK

Tel +44(0)1291 620796  
Fax: +44(0)1291 626490

[www.reidlifting.com](http://www.reidlifting.com)

[enquiries@reidlifting.com](mailto:enquiries@reidlifting.com)

	NAME	DATE
DRAWN	TB	24/05/2021
CHK'D		
APPR'D	CM	10/03/2023

UNLESS OTHERWISE SPECIFIED:  
DIMENSIONS ARE IN MILLIMETERS

ALL COPYRIGHT AND DESIGN RIGHT SUBSISTING IN THIS DOCUMENT IS THE PROPERTY OF REID LIFTING LIMITED AND MAY NOT BE REPRODUCED WITHOUT REID LIFTING'S CONSENT. THIS DOCUMENT AND THE INFORMATION CONTAINED WITHIN IT IS CONFIDENTIAL AND MAY NOT BE DISCLOSED TO ANY THIRD PARTY NOR USED FOR ANY UNAUTHORISED PURPOSE WITHOUT REID LIFTING'S CONSENT



TITLE: **General Arrangement of REID Lifting PORTA-GANTRY Size Medium - 6000mm Beam WLL1000kg**

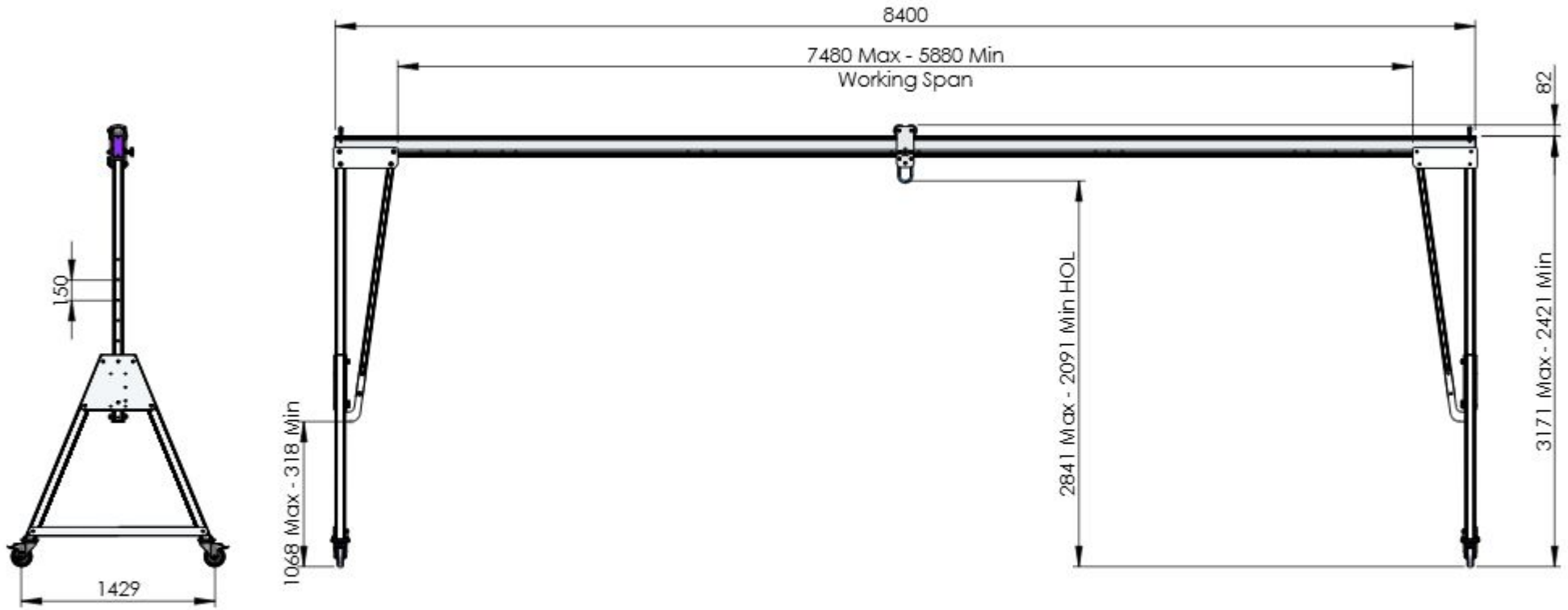
DWG NO. **PGSS01000M-6000A**

A4

Estimated Weight: 128 kg

1:45

SHEET 2 OF 2



DO NOT SCALE DRAWING

REVISION **02**



Reid Lifting Limited. Unit 1  
Wyeview, Newhouse Farm Ind. Est.,  
Chepstow, Monmouthshire.  
NP16 6UD, UK

Tel +44(0) 1291 620796  
Fax +44(0) 1291 626490

[www.reidlifting.com](http://www.reidlifting.com)

[enquiries@reidlifting.com](mailto:enquiries@reidlifting.com)

	NAME	DATE	FINISH:
DRAWN	TB	24/05/2021	Anodised
CHK'D			MATERIAL:
APP'VD	CM	10/03/2023	Aluminium Alloy
<small>ALL COPYRIGHT AND DESIGN RIGHT SUBSISTING IN THIS DOCUMENT IS THE PROPERTY OF REID LIFTING LIMITED AND MAY NOT BE REPRODUCED WITHOUT REID LIFTING'S CONSENT. THIS DOCUMENT AND THE INFORMATION CONTAINED WITHIN IT IS CONFIDENTIAL AND MAY NOT BE DISCLOSED TO ANY THIRD PARTY NOR USED FOR ANY UNAUTHORISED PURPOSE WITHOUT REID LIFTING'S CONSENT</small>			
<small>UNLESS OTHERWISE SPECIFIED: DIMENSIONS ARE IN MILLIMETERS</small>			



TITLE: **General Arrangement of REID Lifting PORTA-GANTRY Size Medium - 8400mm Beam WLL1000kg**

DWG NO.	<b>PGSS01000M-8400B</b>	A4
Estimated Weight:	162 kg	1:45
		SHEET 1 OF 2

## General Specification

- Maximum rated capacity for goods lifting - 1000kg
- Maximum rated capacity for personnel lifting - 500kg
- Beam deflection at maximum rated capacity of 1000kg - 110-120 mm at centre of span
- Maximum castor surface pressure at full load - 29.14 MPa
- Assembled gantry weight (excluding trolleys) - 162kg
- All welding to BS EN ISO 15614-2: 2005 by certified welders.
- For further details and assembly information refer to Operations and Maintenance Manual for Porta Gantry Product. (available at [www.reidlifting.com](http://www.reidlifting.com))

## Fall Protection Standards

- Certified to EN795:2012 Type B & supplied under PPE Regulation 2016/425
- Notified Body Witness tested to the requirements of PD CEN/TS16415:2013 for 3 persons
- Exceeds the requirements of IRATA ICOP & BS7985 (15kN MBL)

## Materials & Finishes

- Frame and beam - 6082 T6 Aluminium alloy. Anodised.
- Castors - Steel. Bright Zinc Plated.
- Castor Wheels & Rollers - Nylon & Polyurethane
- Fixings - Steel. Grade 12.9. Bright Zinc Plated.

Note: Master Link Trolleys shown in system as a reference



Approved

DO NOT SCALE DRAWING

REVISION **02**



Reid Lifting Limited. Unit 1  
Wyeview, Newhouse Farm Ind. Est.,  
Chepstow, Monmouthshire.  
NP16 6UD, UK

Tel +44(0)1291 620796  
Fax: +44(0)1291 626490

[www.reidlifting.com](http://www.reidlifting.com)

[enquiries@reidlifting.com](mailto:enquiries@reidlifting.com)

	NAME	DATE
DRAWN	TB	24/05/2021
CHK'D		
APP'VD	CM	10/03/2023

UNLESS OTHERWISE SPECIFIED:  
DIMENSIONS ARE IN MILLIMETERS

ALL COPYRIGHT AND DESIGN RIGHT SUBSISTING IN THIS DOCUMENT IS THE PROPERTY OF REID LIFTING LIMITED AND MAY NOT BE REPRODUCED WITHOUT REID LIFTING'S CONSENT. THIS DOCUMENT AND THE INFORMATION CONTAINED WITHIN IT IS CONFIDENTIAL AND MAY NOT BE DISCLOSED TO ANY THIRD PARTY NOR USED FOR ANY UNAUTHORISED PURPOSE WITHOUT REID LIFTING'S CONSENT



TITLE: **General Arrangement of REID Lifting PORTA-GANTRY Size Medium - 8400mm Beam WLL1000kg**

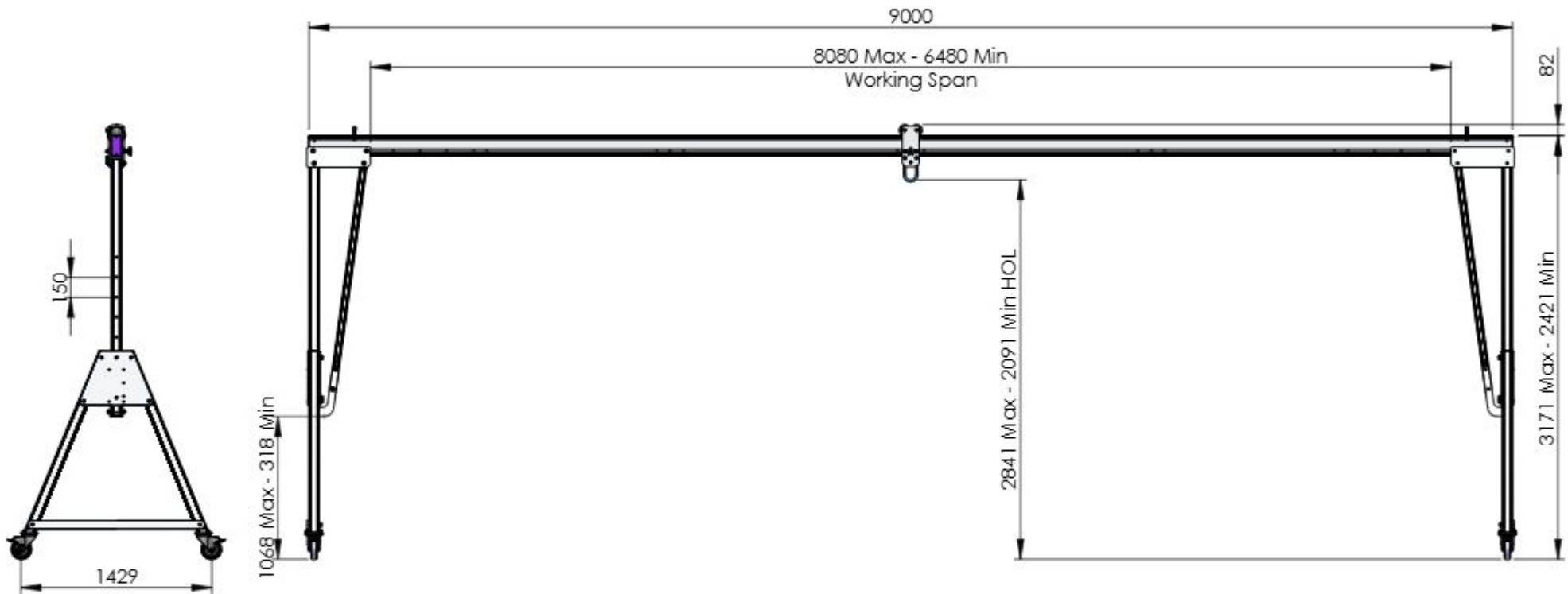
DWG NO. **PGSS01000M-8400B**

A4

Estimated Weight: 162 kg

1:45

SHEET 2 OF 2



DO NOT SCALE DRAWING

REVISION **02**



Reid Lifting Limited. Unit 1  
Wyeview, Newhouse Farm Ind. Est.,  
Chepstow, Monmouthshire.  
NP16 6UD, UK

Tel +44(0) 1291 620796  
Fax +44(0) 1291 626490

[www.reidlifting.com](http://www.reidlifting.com)

[enquiries@reidlifting.com](mailto:enquiries@reidlifting.com)

	NAME	DATE	FINISH:
DRAWN	TB	24/05/2021	Anodised
CHK'D			MATERIAL:
APPR'D	CM	10/03/2023	Aluminium Alloy
<small>ALL COPYRIGHT AND DESIGN RIGHT SUBSISTING IN THIS DOCUMENT IS THE PROPERTY OF REID LIFTING LIMITED AND MAY NOT BE REPRODUCED WITHOUT REID LIFTING'S CONSENT. THIS DOCUMENT AND THE INFORMATION CONTAINED WITHIN IT IS CONFIDENTIAL AND MAY NOT BE DISCLOSED TO ANY THIRD PARTY NOR USED FOR ANY UNAUTHORISED PURPOSE WITHOUT REID LIFTING'S CONSENT</small>			
<small>UNLESS OTHERWISE SPECIFIED: DIMENSIONS ARE IN MILLIMETERS</small>			



TITLE: **General Arrangement of REID Lifting PORTA-GANTRY Size Medium - 9000mm Beam WLL1000kg**

DWG NO. **PGSS01000M-9000B** A4

Estimated Weight: 168 kg

1:45

SHEET 1 OF 2

## General Specification

- Maximum rated capacity for goods lifting - 1000kg
- Maximum rated capacity for personnel lifting - 500kg
- Beam deflection at maximum rated capacity of 1000kg - 125-140 mm at centre of span
- Maximum castor surface pressure at full load - 29.22 MPa
- Assembled gantry weight (excluding trolleys) - 168kg
- All welding to BS EN ISO 15614-2: 2005 by certified welders.
- For further details and assembly information refer to Operations and Maintenance Manual for Porta Gantry Product. (available at [www.reidlifting.com](http://www.reidlifting.com))

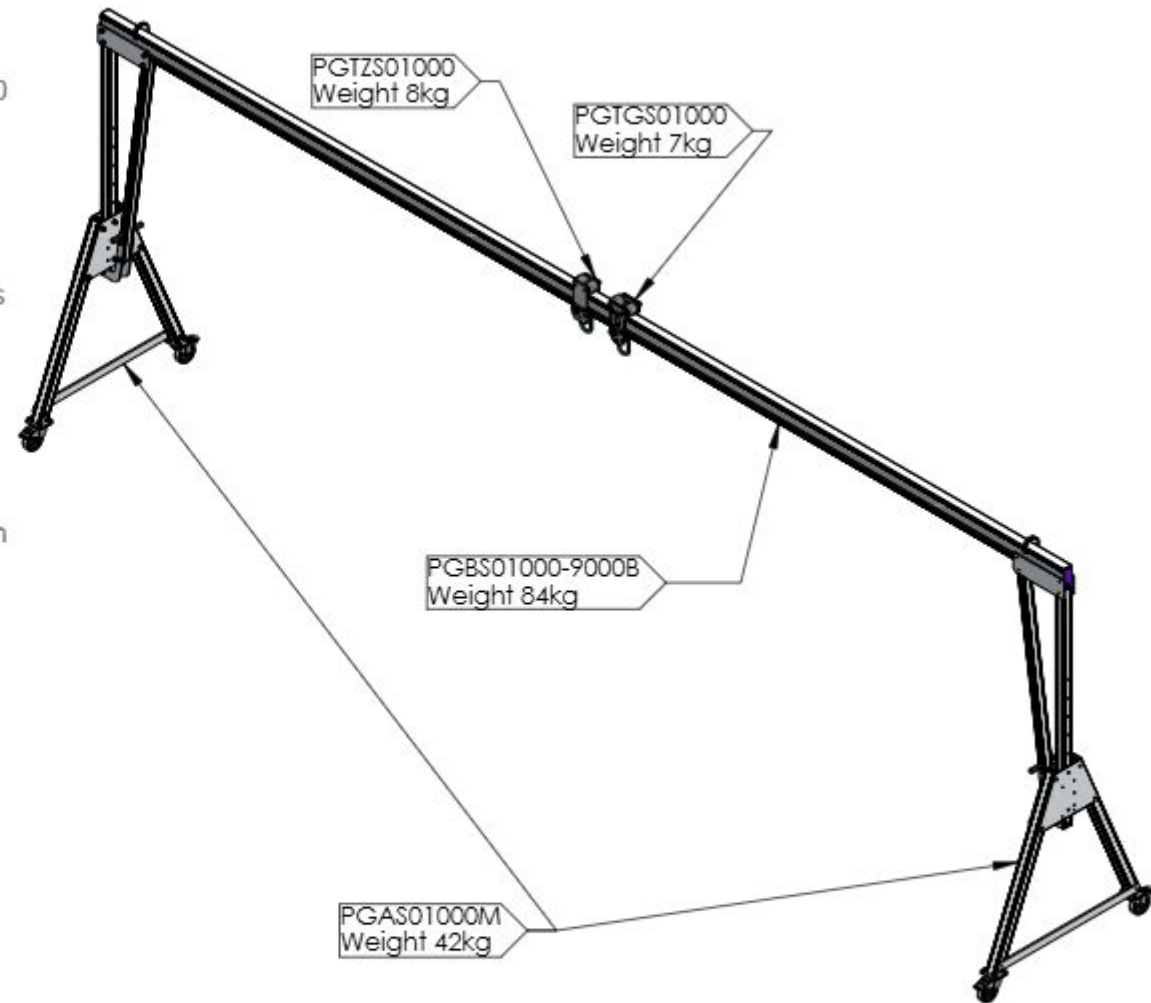
## Fall Protection Standards

- Certified to EN795:2012 Type B & supplied under PPE Regulation 2016/425
- Notified Body Witness tested to the requirements of PD CEN/TS16415:2013 for 3 persons
- Exceeds the requirements of IRATA ICOP & BS7985 (15kN MBL)

## Materials & Finishes

- Frame and beam - 6082 T6 Aluminium alloy. Anodised.
- Castors - Steel. Bright Zinc Plated.
- Castor Wheels & Rollers - Nylon & Polyurethane
- Fixings - Steel. Grade 12:9. Bright Zinc Plated.

Note: Master Link Trolleys shown in system as a reference



Approved

DO NOT SCALE DRAWING

REVISION **02**



Reid Lifting Limited. Unit 1  
Wyeview, Newhouse Farm Ind. Est.,  
Chepstow, Monmouthshire.  
NP16 6UD, UK

Tel +44(0)1291 620796  
Fax: +44(0)1291 626490

[www.reidlifting.com](http://www.reidlifting.com)

[enquiries@reidlifting.com](mailto:enquiries@reidlifting.com)

	NAME	DATE
DRAWN	TB	24/05/2021
CHK'D		
APPROV'D	CM	10/03/2023

UNLESS OTHERWISE SPECIFIED:  
DIMENSIONS ARE IN MILLIMETERS

ALL COPYRIGHT AND DESIGN RIGHT SUBSISTING IN THIS DOCUMENT IS THE PROPERTY OF REID LIFTING LIMITED AND MAY NOT BE REPRODUCED WITHOUT REID LIFTING'S CONSENT. THIS DOCUMENT AND THE INFORMATION CONTAINED WITHIN IT IS CONFIDENTIAL AND MAY NOT BE DISCLOSED TO ANY THIRD PARTY NOR USED FOR ANY UNAUTHORISED PURPOSE WITHOUT REID LIFTING'S CONSENT



TITLE: **General Arrangement of REID Lifting PORTA-GANTRY Size Medium - 9000mm Beam WLL1000kg**

DWG NO. **PGSS01000M-9000B**

A4

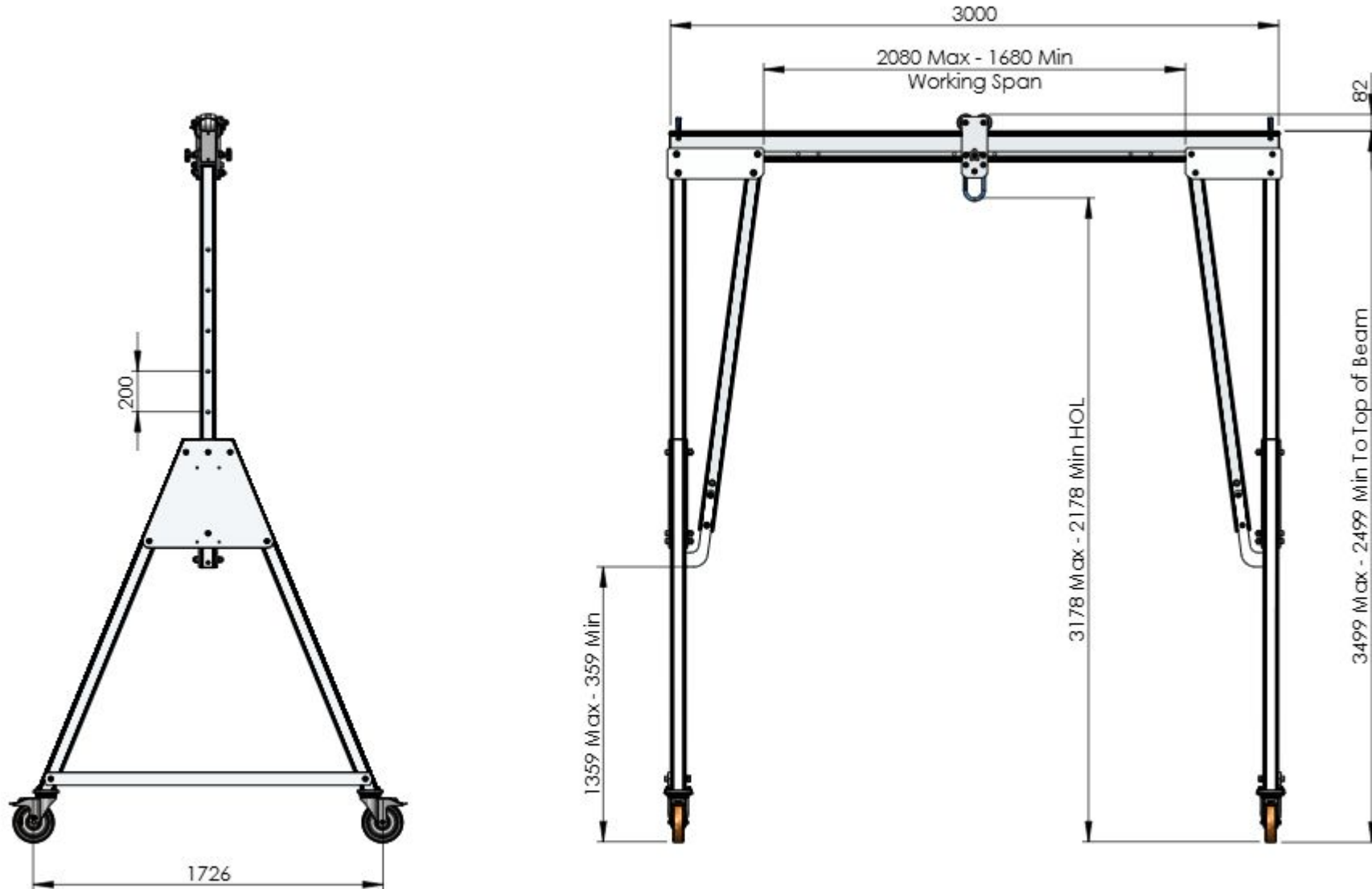
Estimated Weight: 168 kg

1:50

SHEET 2 OF 2



To ensure stability of the structure, the working span of the beam must be equal to or greater than the distance between the castors on the A-frame



DO NOT SCALE DRAWING

REVISION **02**



Reid Lifting Limited. Unit 1  
Wyeview, Newhouse Farm Ind. Est.,  
Chepstow, Monmouthshire.  
NP16 6UD, UK

Tel +44(0) 1291 620796  
Fax +44(0) 1291 626490

[www.reidlifting.com](http://www.reidlifting.com)

[enquiries@reidlifting.com](mailto:enquiries@reidlifting.com)

	NAME	DATE	FINISH:
DRAWN	SS	14/05/2021	Galvanised
CHK'D			MATERIAL:
APPR'D	CM	10/03/2023	Aluminium Alloy
<small>ALL COPYRIGHT AND DESIGN RIGHT SUBSISTING IN THIS DOCUMENT IS THE PROPERTY OF REID LIFTING LIMITED AND MAY NOT BE REPRODUCED WITHOUT REID LIFTING'S CONSENT. THIS DOCUMENT AND THE INFORMATION CONTAINED WITHIN IT IS CONFIDENTIAL AND MAY NOT BE DISCLOSED TO ANY THIRD PARTY NOR USED FOR ANY UNAUTHORISED PURPOSE WITHOUT REID LIFTING'S CONSENT</small>			
<small>UNLESS OTHERWISE SPECIFIED: DIMENSIONS ARE IN MILLIMETERS</small>			

TITLE:  
**General Arrangement of REID  
Lifting Porta-Gantry Size  
Intermediate - 3000mm Beam**

DWG NO. **PGSS01000I-3000A** A4

Estimated Weight: 122kg 1:30 SHEET 1 OF 2

## General Specification

- Maximum rated capacity for goods lifting - 1000kg
- Maximum rated capacity for personnel lifting - 500kg
- Beam deflection at maximum rated capacity of 1000kg - between 5 - 10mm at centre of span
- Maximum castor surface pressure at full load - 23.47 Mpa
- Assembled gantry weight (excluding trollies) - 122kg
- All welding to BS EN ISO 15614-2: 2005 by certified welders.
- For further details and assembly information refer to Operations and Maintenance Manual for Porta Gantry Product. (available at [www.reidlifting.com](http://www.reidlifting.com))

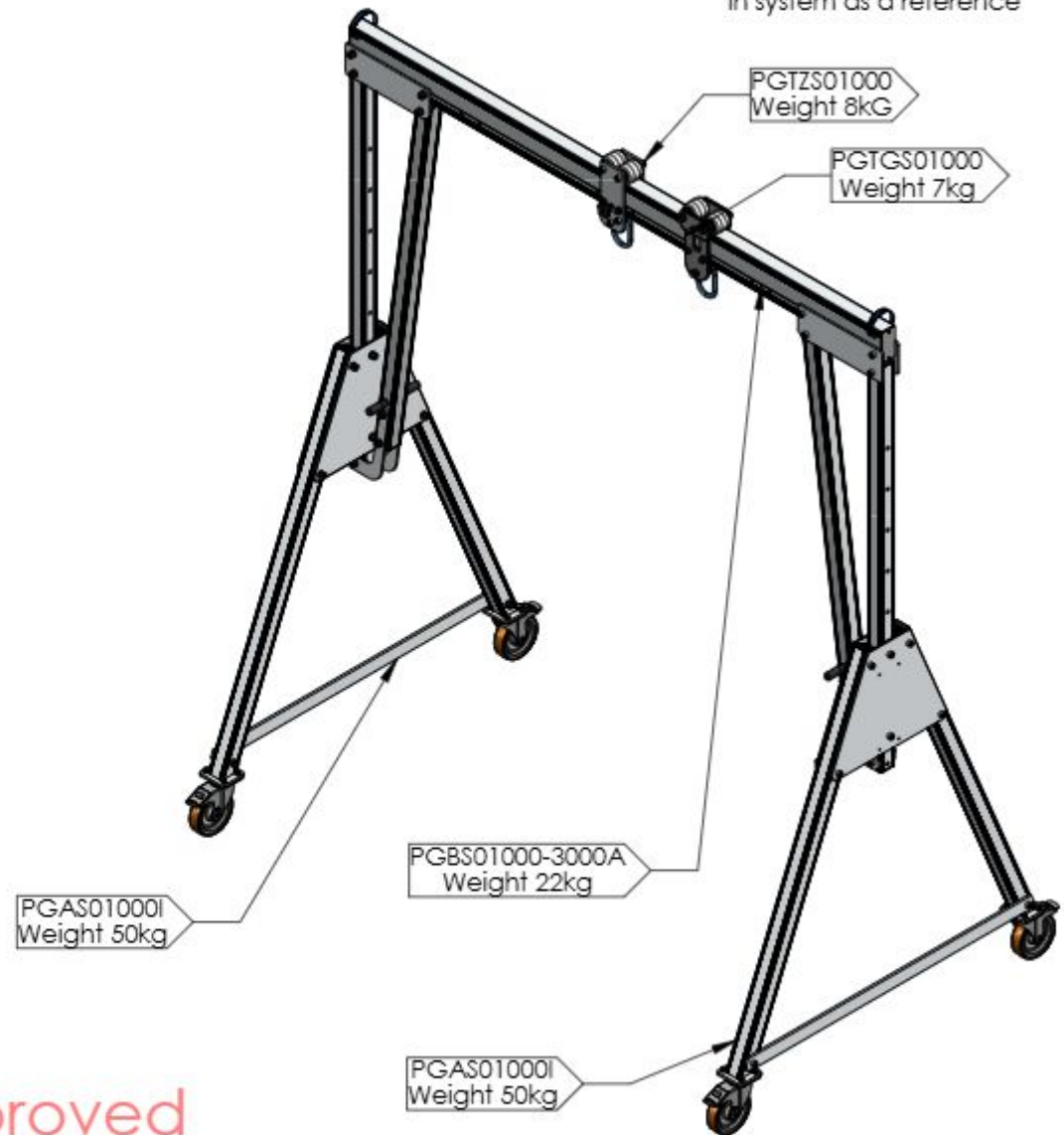
## Fall Protection Standards

- Certified to EN795:2012 Type B & supplied under the PPE regulation 2016/425
- Notified Body Witness tested to the requirements of PD CEN/TS16415:2013 for 3 persons
- Exceeds the requirements of IRATA ICOP & BS7985 (15kN MBL)
- Tested to and meets the requirements of ANSI Z359.18.2017 for 2 persons.

## Materials & Finishes

- Frame and beam - 6082 T6 Aluminium alloy. Anodized.
- Castors - Steel. Bright Zinc Plated.
- Castor Wheels & Rollers - Nylon & Polyurethane
- Fixings - Steel. Grade 12:9. Bright Zinc Plated.

Note: Master Link Trollies shown in system as a reference



Approved

DO NOT SCALE DRAWING

REVISION

02

**REID**  
**LIFTING**

Reid Lifting Limited. Unit 1  
Wyeview, Newhouse Farm Ind. Est.,  
Chepstow, Monmouthshire.  
NP16 6UD, UK

Tel +44(0)1291 620796  
Fax: +44(0)1291 626490

[www.reidlifting.com](http://www.reidlifting.com)

[enquiries@reidlifting.com](mailto:enquiries@reidlifting.com)

	NAME	DATE
DRAWN	SS	14/05/2021
CHK'D		
APP'VD	CM	10/03/2023

UNLESS OTHERWISE SPECIFIED:  
DIMENSIONS ARE IN MILLIMETERS

ALL COPYRIGHT AND DESIGN RIGHT SUBSISTING IN THIS DOCUMENT IS THE PROPERTY OF REID LIFTING LIMITED AND MAY NOT BE REPRODUCED WITHOUT REID LIFTING'S CONSENT. THIS DOCUMENT AND THE INFORMATION CONTAINED WITHIN IT IS CONFIDENTIAL AND MAY NOT BE DISCLOSED TO ANY THIRD PARTY NOR USED FOR ANY UNAUTHORIZED PURPOSE WITHOUT REID LIFTING'S CONSENT



TITLE:

**General Arrangement of REID Lifting Porta-Gantry Size Intermediate - 3000mm Beam**

DWG NO.

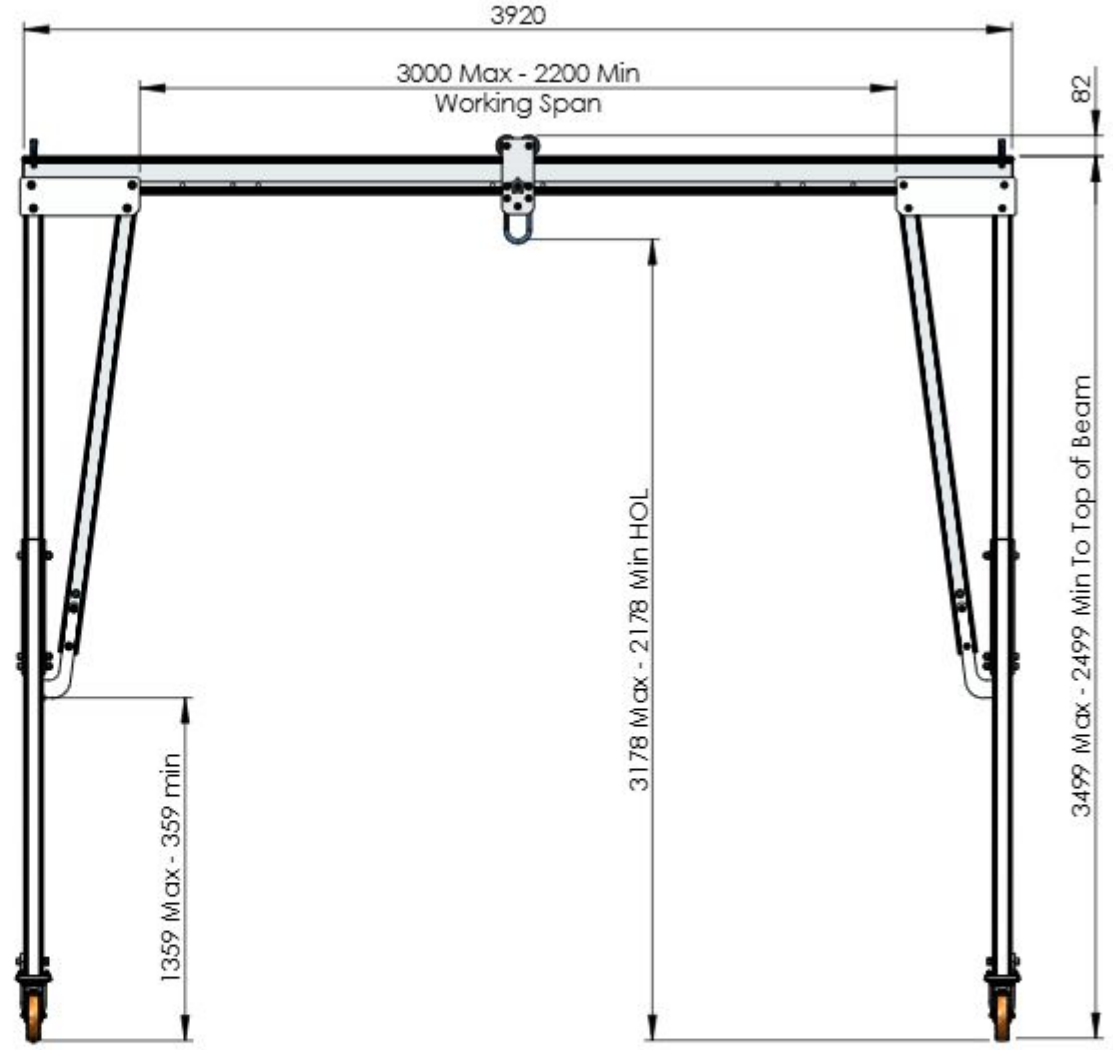
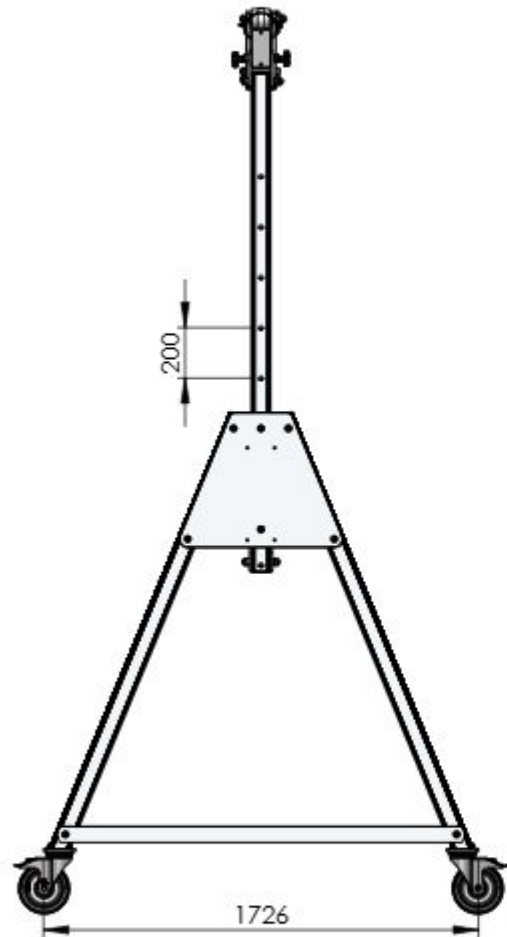
**PGSS01000I-3000A**

A4

Estimated Weight: 122kg

1:30

SHEET 2 OF 2



DO NOT SCALE DRAWING

REVISION **02**



Reid Lifting Limited. Unit 1  
Wyeview, Newhouse Farm Ind. Est.,  
Chepstow, Monmouthshire,  
NP16 6UD, UK

Tel +44(0) 1291 620796  
Fax +44(0) 1291 626490

[www.reidlifting.com](http://www.reidlifting.com)

[enquiries@reidlifting.com](mailto:enquiries@reidlifting.com)

	NAME	DATE	FINISH:
DRAWN	SS	14/05/2021	Galvanised
CHK'D			MATERIAL:
APPR'D	CM	10/03/2023	Aluminium Alloy
<small>ALL COPYRIGHT AND DESIGN RIGHT SUBSISTING IN THIS DOCUMENT IS THE PROPERTY OF REID LIFTING LIMITED AND MAY NOT BE REPRODUCED WITHOUT REID LIFTING'S CONSENT. THIS DOCUMENT AND THE INFORMATION CONTAINED WITHIN IT IS CONFIDENTIAL AND MAY NOT BE DISCLOSED TO ANY THIRD PARTY NOR USED FOR ANY UNAUTHORISED PURPOSE WITHOUT REID LIFTING'S CONSENT</small>			
<small>UNLESS OTHERWISE SPECIFIED: DIMENSIONS ARE IN MILLIMETERS</small>			



TITLE:  
**General Arrangement of REID  
Lifting Porta-Gantry Size  
Intermediate - 3920mm Beam**

DWG NO. **PGSS01000I-3920A** A4

Estimated Weight: 129kg 1:30 SHEET 1 OF 2

## General Specification

- Maximum rated capacity for goods lifting - 1000kg
- Maximum rated capacity for personnel lifting - 500kg
- Beam deflection at maximum rated capacity of 1000kg - between 15 - 20mm at centre of span
- Maximum castor surface pressure at full load - 23.54 Mpa
- Assembled gantry weight (excluding trolleys) - 129kg
- All welding to BS EN ISO 15614-2: 2005 by certified welders.
- For further details and assembly information refer to Operations and Maintenance Manual for Porta Gantry Product. (available at [www.reidlifting.com](http://www.reidlifting.com))

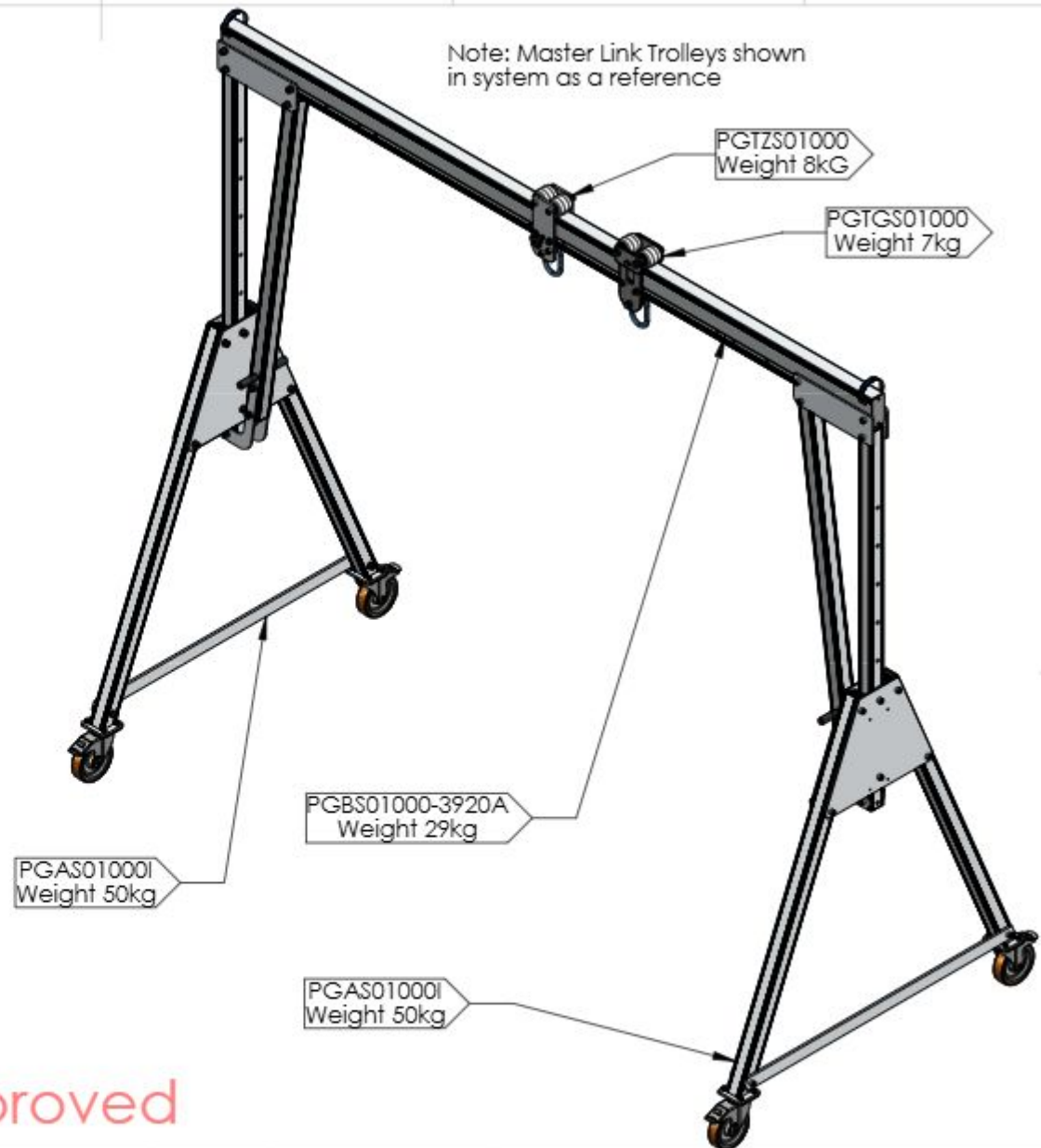
## Fall Protection Standards

- Certified to EN95:2012 Type B & supplied under the PPE regulation 2016/425
- Notified Body Witness tested to the requirements of PD CEN/TS16415:2013 for 3 persons
- Exceeds the requirements of IRATA ICOP & BS7985 (15kN MBL)
- Tested to and meets the requirements of ANSI Z359.18.2017 for 2 persons.

## Materials & Finishes

- Frame and beam - 6082 T6 Aluminium alloy. Anodized.
- Castors - Steel. Bright Zinc Plated.
- Castor Wheels & Rollers - Nylon & Polyurethane
- Fixings - Steel. Grade 12.9. Bright Zinc Plated.

Note: Master Link Trolleys shown in system as a reference



Approved

DO NOT SCALE DRAWING

REVISION **02**



Reid Lifting Limited. Unit 1  
Wyeview, Newhouse Farm Ind. Est.,  
Chepstow, Monmouthshire.  
NP16 6UD, UK

Tel +44(0)1291 620796  
Fax: +44(0)1291 626490

[www.reidlifting.com](http://www.reidlifting.com)

[enquiries@reidlifting.com](mailto:enquiries@reidlifting.com)

	NAME	DATE
DRAWN	SS	14/05/2021
CHK'D		
APPR'D	CM	10/03/2023

UNLESS OTHERWISE SPECIFIED:  
DIMENSIONS ARE IN MILLIMETERS

ALL COPYRIGHT AND DESIGN RIGHT SUBSISTING IN THIS DOCUMENT IS THE PROPERTY OF REID LIFTING LIMITED AND MAY NOT BE REPRODUCED WITHOUT REID LIFTING'S CONSENT. THIS DOCUMENT AND THE INFORMATION CONTAINED WITHIN IT IS CONFIDENTIAL AND MAY NOT BE DISCLOSED TO ANY THIRD PARTY NOR USED FOR ANY UNAUTHORISED PURPOSE WITHOUT REID LIFTING'S CONSENT



TITLE:

**General Arrangement of REID Lifting Porta-Gantry Size Intermediate - 3920mm Beam**

DWG NO.

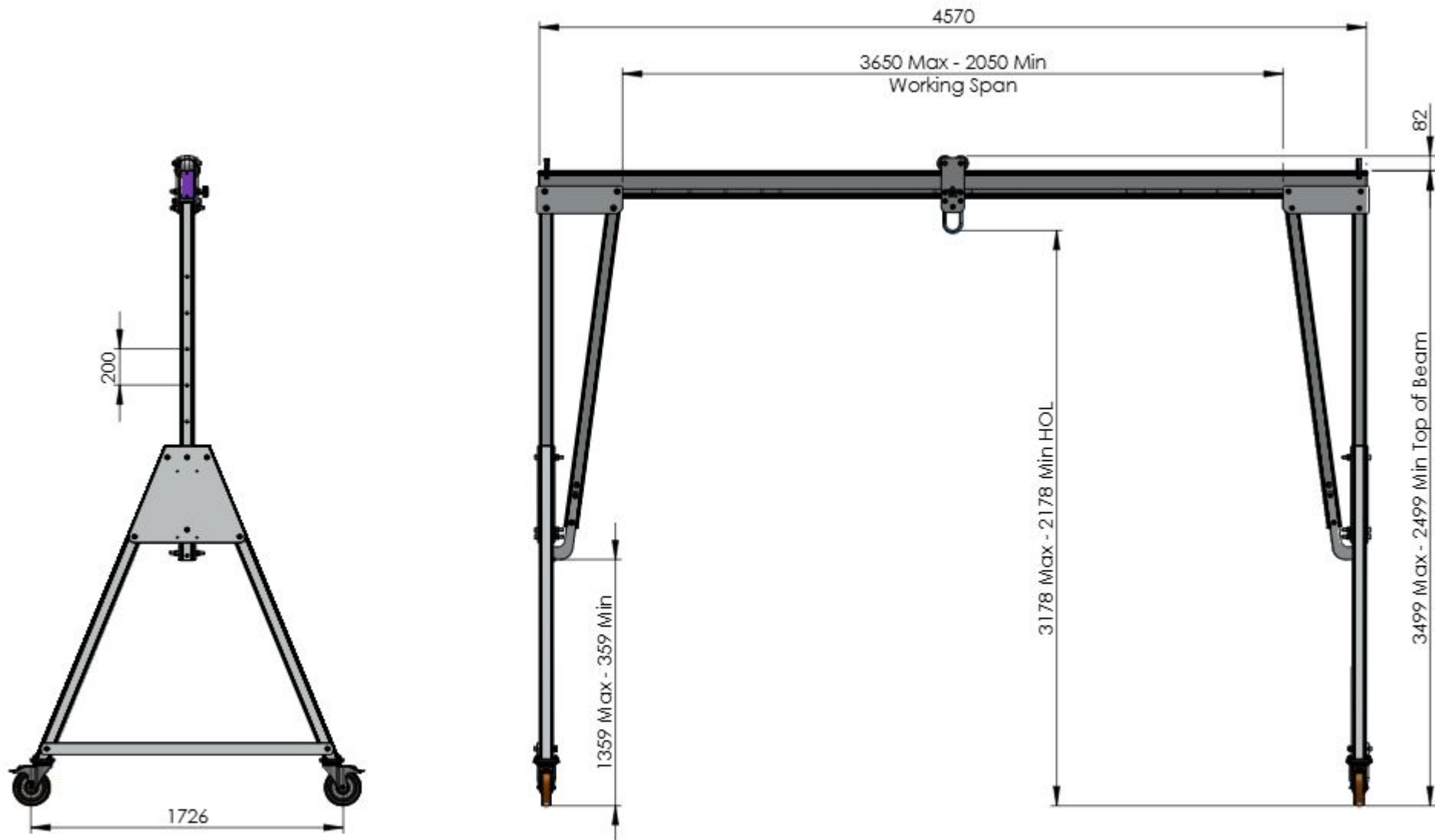
**PGSS01000I-3920A**

A4

Estimated Weight: 129kg

1:30

SHEET 2 OF 2



DO NOT SCALE DRAWING

REVISION **03**



Reid Lifting Limited. Unit 1  
Wyeview, Newhouse Farm Ind. Est.,  
Chepstow, Monmouthshire,  
NP16 6UD, UK

Tel +44(0) 1291 620796  
Fax +44(0) 1291 626490

[www.reidlifting.com](http://www.reidlifting.com)

[enquiries@reidlifting.com](mailto:enquiries@reidlifting.com)

	NAME	DATE	FINISH:
DRAWN	BJ	08/02/2021	Anodised
CHK'D			MATERIAL:
APP'VD	CM	10/03/2023	Aluminium Alloy
<small>ALL COPYRIGHT AND DESIGN RIGHT SUBSISTING IN THIS DOCUMENT IS THE PROPERTY OF REID LIFTING LIMITED AND MAY NOT BE REPRODUCED WITHOUT REID LIFTING'S CONSENT. THIS DOCUMENT AND THE INFORMATION CONTAINED WITHIN IT IS CONFIDENTIAL AND MAY NOT BE DISCLOSED TO ANY THIRD PARTY NOR USED FOR ANY UNAUTHORISED PURPOSE WITHOUT REID LIFTING'S CONSENT</small>			
<small>UNLESS OTHERWISE SPECIFIED: DIMENSIONS ARE IN MILLIMETERS</small>			



TITLE:  
**General Arrangement of Reid Lifting  
PORTA-GANTRY Size Intermediate  
4570mm Beam WLL1000kg**

DWG NO. **PGSS01000I-4570A**

A4

Estimated Weight: 134kg

1:32

SHEET 1 OF 2

## General Specification

- Maximum rated capacity for goods lifting - 1000kg
- Maximum rated capacity for personnel lifting - 500kg
- Beam deflection at maximum rated capacity of 1000kg - between 20 - 30mm at centre of span
- Maximum castor surface pressure at full load - 23.6 Mpa
- Assembled gantry weight (excluding trollies) - 134kg
- All welding to BS EN ISO 15614-2: 2005 by certified welders.
- For further details and assembly information refer to Operations and Maintenance Manual for Porta Gantry Product. (available at [www.reidlifting.com](http://www.reidlifting.com))

## Fall Protection Standards

- Certified to EN795:2012 Type B & supplied under the PPE regulation 2016/425
- Notified Body Witness tested to the requirements of PD CEN/TS16415:2013 for 3 persons
- Exceeds the requirements of IRATA ICOP & BS7985 (15kN MBL)
- Tested to and meets the requirements of ANSI Z359.18.2017 for 2 persons.

## Materials & Finishes

- Frame and beam - 6082 T6 Aluminium alloy. Anodized.
- Castors - Steel. Bright Zinc Plated.
- Castor Wheels & Rollers - Nylon & Polyurethane
- Fixings - Steel. Grade 12.9. Bright Zinc Plated.

Note: Master Link Trolleys shown in system as a reference



Approved

DO NOT SCALE DRAWING

REVISION **03**



Reid Lifting Limited. Unit 1  
Wyeview, Newhouse Farm Ind. Est.,  
Chepstow, Monmouthshire.  
NP16 6UD, UK

Tel +44(0)1291 620796  
Fax: +44(0)1291 626490

[www.reidlifting.com](http://www.reidlifting.com)

[enquiries@reidlifting.com](mailto:enquiries@reidlifting.com)

	NAME	DATE
DRAWN	BJ	08/02/2021
CHK'D		
APP'VD	CM	10/03/2023

UNLESS OTHERWISE SPECIFIED:  
DIMENSIONS ARE IN MILLIMETERS

ALL COPYRIGHT AND DESIGN RIGHT SUBSISTING IN THIS DOCUMENT IS THE PROPERTY OF REID LIFTING LIMITED AND MAY NOT BE REPRODUCED WITHOUT REID LIFTING'S CONSENT. THIS DOCUMENT AND THE INFORMATION CONTAINED WITHIN IT IS CONFIDENTIAL AND MAY NOT BE DISCLOSED TO ANY THIRD PARTY NOR USED FOR ANY UNAUTHORISED PURPOSE WITHOUT REID LIFTING'S CONSENT



TITLE: **General Arrangement of Reid Lifting  
PORTA-GANTRY Size Intermediate  
4570mm Beam WLL1000kg**

DWG NO.

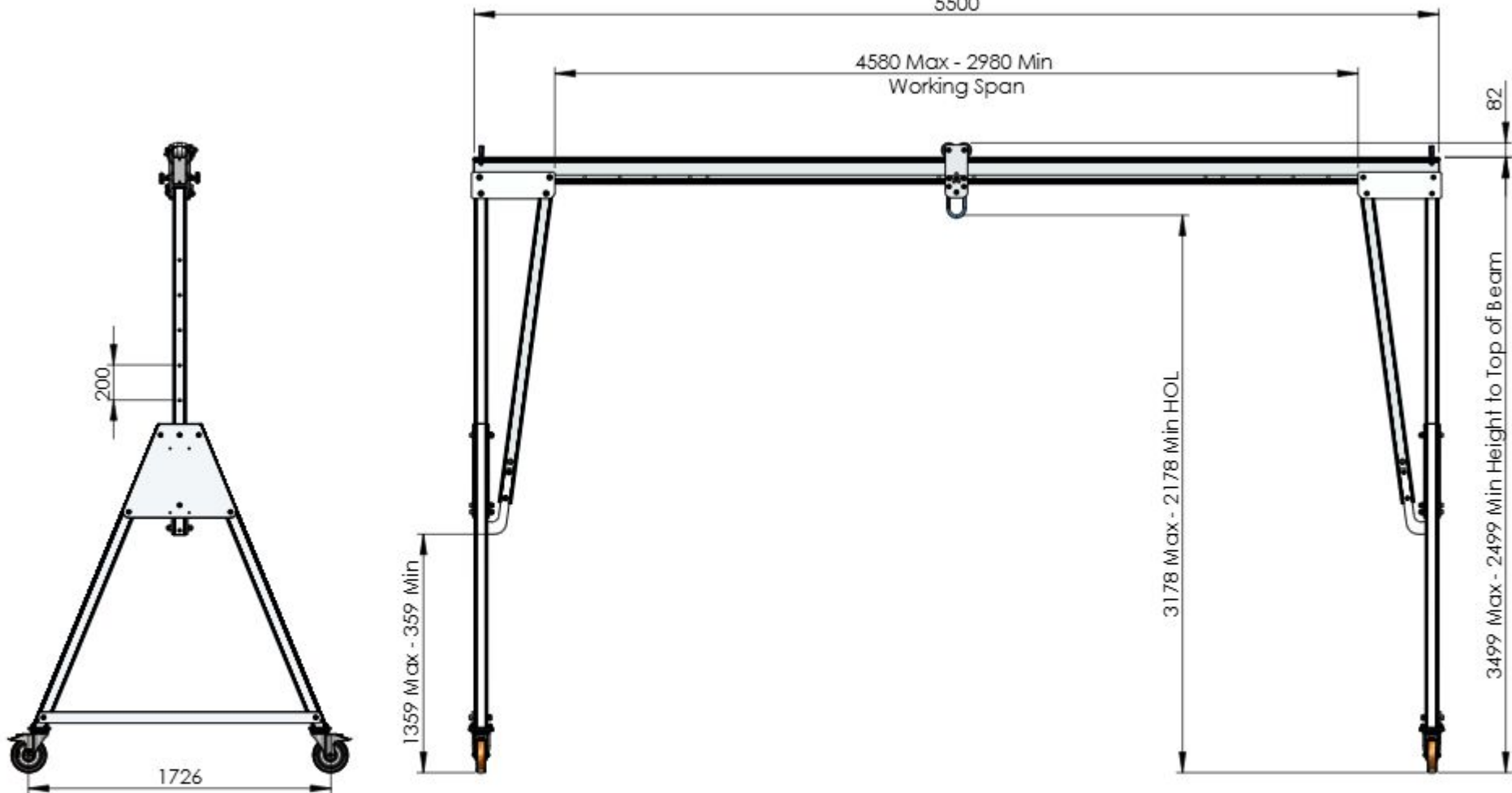
**PGSS01000I-4570A**

A4

Estimated Weight: 134kg

1:35

SHEET 2 OF 2



DO NOT SCALE DRAWING

REVISION **02**



Reid Lifting Limited. Unit 1  
Wyeview, Newhouse Farm Ind. Est.,  
Chepstow, Monmouthshire.  
NP16 6UD, UK

Tel +44(0) 1291 620796  
Fax +44(0) 1291 626490

[www.reidlifting.com](http://www.reidlifting.com)

[enquiries@reidlifting.com](mailto:enquiries@reidlifting.com)

	NAME	DATE	FINISH:
DRAWN	SS	17/05/2021	Galvanised
CHK'D			MATERIAL:
APPR'D	CM	10/03/2023	Aluminium Alloy
<small>ALL COPYRIGHT AND DESIGN RIGHT SUBSISTING IN THIS DOCUMENT IS THE PROPERTY OF REID LIFTING LIMITED AND MAY NOT BE REPRODUCED WITHOUT REID LIFTING'S CONSENT. THIS DOCUMENT AND THE INFORMATION CONTAINED WITHIN IT IS CONFIDENTIAL AND MAY NOT BE DISCLOSED TO ANY THIRD PARTY NOR USED FOR ANY UNAUTHORISED PURPOSE WITHOUT REID LIFTING'S CONSENT</small>			
<small>UNLESS OTHERWISE SPECIFIED: DIMENSIONS ARE IN MILLIMETERS</small>			



TITLE:  
**General Arrangement of REID  
Lifting Porta-Gantry Size  
Intermediate - 5500mm Beam**

DWG NO. **PGSS01000I-5500A**

A4

Estimated Weight: 141kg

1:35

SHEET 1 OF 2

## General Specification

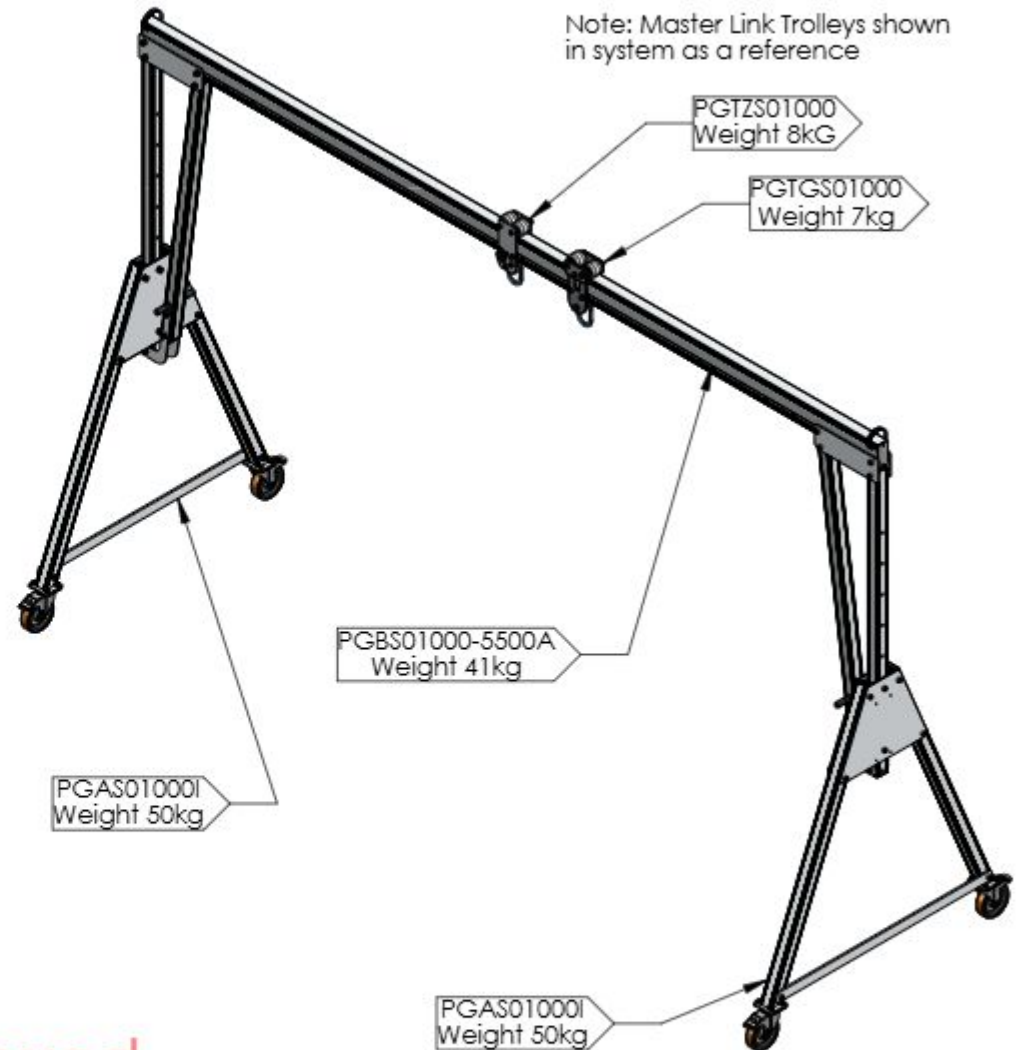
- Maximum rated capacity for goods lifting - 1000kg
- Maximum rated capacity for personnel lifting - 500kg
- Beam deflection at maximum rated capacity of 1000kg - between 42 - 52mm at centre of span
- Maximum castor surface pressure at full load - 23.67 Mpa
- Assembled gantry weight (excluding trollies) - 141kg
- All welding to BS EN ISO 15614-2: 2005 by certified welders.
- For further details and assembly information refer to Operations and Maintenance Manual for Porta Gantry Product. (available at [www.reidlifting.com](http://www.reidlifting.com))

## Fall Protection Standards

- Certified to EN795:2012 Type B & supplied under the PPE regulation 2016/425
- Notified Body Witness tested to the requirements of PD CEN/TS16415:2013 for 3 persons
- Exceeds the requirements of IRATA ICOP & BS7985 (15kN MBL)

## Materials & Finishes

- Frame and beam - 6082 T6 Aluminium alloy. Anodized.
- Castors - Steel. Bright Zinc Plated.
- Castor Wheels & Rollers - Nylon & Polyurethane
- Fixings - Steel. Grade 12:9. Bright Zinc Plated.



Approved

DO NOT SCALE DRAWING

REVISION

02

**REID**  
**LIFTING**

[www.reidlifting.com](http://www.reidlifting.com)

Reid Lifting Limited. Unit 1  
Wyeview, Newhouse Farm Ind. Est.,  
Chepstow, Monmouthshire.  
NP16 6UD, UK

Tel +44(0)1291 620796  
Fax: +44(0)1291 626490

[enquiries@reidlifting.com](mailto:enquiries@reidlifting.com)

	NAME	DATE
DRAWN	SS	17/05/2021
CHK'D		
APP'VD	CM	10/03/2023

UNLESS OTHERWISE SPECIFIED:  
DIMENSIONS ARE IN MILLIMETERS

ALL COPYRIGHT AND DESIGN RIGHT SUBSISTING IN THIS DOCUMENT IS THE PROPERTY OF REID LIFTING LIMITED AND MAY NOT BE REPRODUCED WITHOUT REID LIFTING'S CONSENT. THIS DOCUMENT AND THE INFORMATION CONTAINED WITHIN IT IS CONFIDENTIAL AND MAY NOT BE DISCLOSED TO ANY THIRD PARTY NOR USED FOR ANY UNAUTHORISED PURPOSE WITHOUT REID LIFTING'S CONSENT



TITLE:

**General Arrangement of REID  
Lifting Porta-Gantry Size  
Intermediate - 5500mm Beam**

DWG NO.

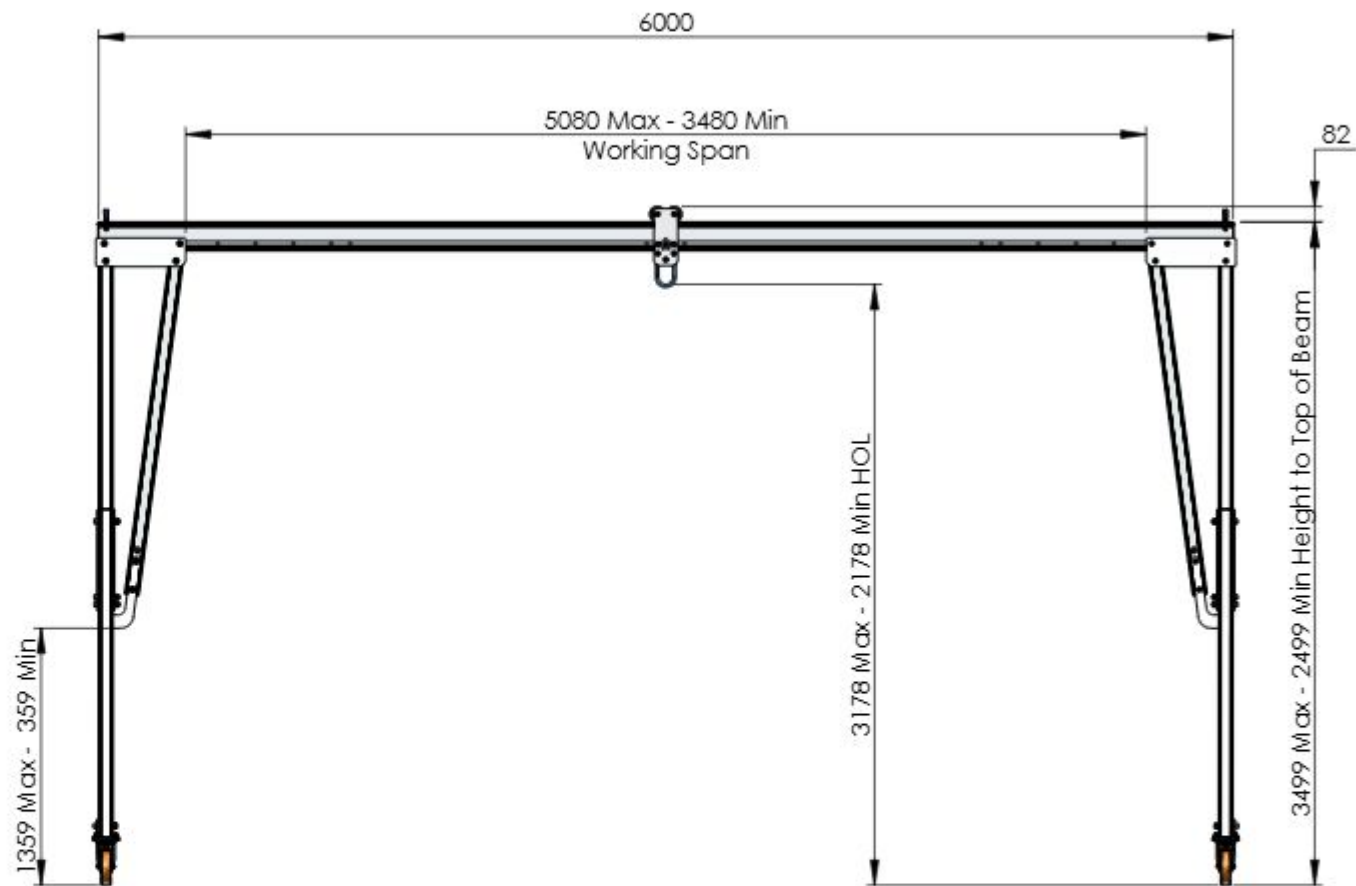
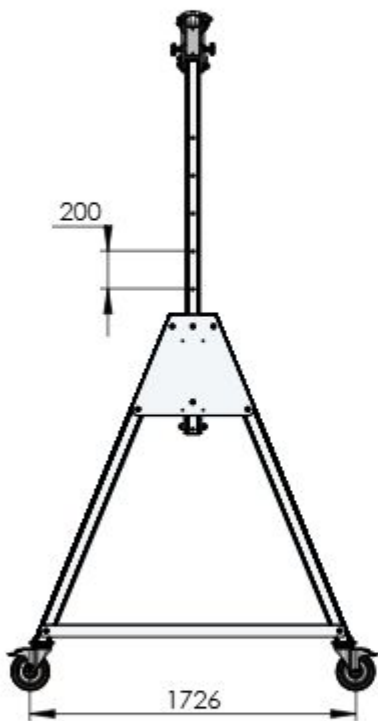
**PGSS01000I-5500A**

A4

Estimated Weight: 141kg

1:40

SHEET 2 OF 2



DO NOT SCALE DRAWING

REVISION **02**



Reid Lifting Limited. Unit 1  
Wyeview, Newhouse Farm Ind. Est.,  
Chepstow, Monmouthshire,  
NP16 6UD, UK

Tel +44(0) 1291 620796  
Fax +44(0) 1291 626490

[www.reidlifting.com](http://www.reidlifting.com)

[enquiries@reidlifting.com](mailto:enquiries@reidlifting.com)

	NAME	DATE	FINISH:
DRAWN	SS	17/05/2021	Galvanised
CHK'D			MATERIAL:
APPR'D	CM	10/03/2023	Aluminium Alloy
<small>ALL COPYRIGHT AND DESIGN RIGHT SUBSISTING IN THIS DOCUMENT IS THE PROPERTY OF REID LIFTING LIMITED AND MAY NOT BE REPRODUCED WITHOUT REID LIFTING'S CONSENT. THIS DOCUMENT AND THE INFORMATION CONTAINED WITHIN IT IS CONFIDENTIAL AND MAY NOT BE DISCLOSED TO ANY THIRD PARTY NOR USED FOR ANY UNAUTHORISED PURPOSE WITHOUT REID LIFTING'S CONSENT</small>			
<small>UNLESS OTHERWISE SPECIFIED: DIMENSIONS ARE IN MILLIMETERS</small>			



TITLE:  
**General Arrangement of REID  
Lifting Porta-Gantry Size  
Intermediate - 6000mm Beam**

DWG NO. **PGSS01000I-6000A** A4

Estimated Weight: 144kg

1:40

SHEET 1 OF 2

## General Specification

- Maximum rated capacity for goods lifting - 1000kg
- Maximum rated capacity for personnel lifting - 500kg
- Beam deflection at maximum rated capacity of 1000kg - between 45 - 55mm at centre of span
- Maximum castor surface pressure at full load - 23.71 Mpa
- Assembled gantry weight (excluding trolleys) - 144kg
- All welding to BS EN ISO 15614-2: 2005 by certified welders.
- For further details and assembly information refer to Operations and Maintenance Manual for Porta Gantry Product. (available at [www.reidlifting.com](http://www.reidlifting.com))

## Fall Protection Standards

- Certified to EN795:2012 Type B & supplied under the PPE regulation 2016/425
- Notified Body Witness tested to the requirements of PD CEN/TS16415:2013 for 3 persons
- Exceeds the requirements of IRATA ICOP & BS7985 (15kN MBL)

## Materials & Finishes

- Frame and beam - 6082 T6 Aluminium alloy. Anodized.
- Castors - Steel. Bright Zinc Plated.
- Castor Wheels & Rollers - Nylon & Polyurethane
- Fixings - Steel. Grade 12.9. Bright Zinc Plated.



Approved

DO NOT SCALE DRAWING

REVISION **02**

**REID**  
**LIFTING**

Reid Lifting Limited. Unit 1  
Wyeview, Newhouse Farm Ind. Est.,  
Chepstow, Monmouthshire.  
NP16 6UD, UK

Tel +44(0)1291 620796  
Fax: +44(0)1291 626490

[www.reidlifting.com](http://www.reidlifting.com)

[enquiries@reidlifting.com](mailto:enquiries@reidlifting.com)

	NAME	DATE
DRAWN	SS	17/05/2021
CHK'D		
APP'VD	CM	10/03/2023

UNLESS OTHERWISE SPECIFIED:  
DIMENSIONS ARE IN MILLIMETERS

ALL COPYRIGHT AND DESIGN RIGHT SUBSISTING IN THIS DOCUMENT IS THE PROPERTY OF REID LIFTING LIMITED AND MAY NOT BE REPRODUCED WITHOUT REID LIFTING'S CONSENT. THIS DOCUMENT AND THE INFORMATION CONTAINED WITHIN IT IS CONFIDENTIAL AND MAY NOT BE DISCLOSED TO ANY THIRD PARTY NOR USED FOR ANY UNAUTHORIZED PURPOSE WITHOUT REID LIFTING'S CONSENT



TITLE:

**General Arrangement of REID  
Lifting Porta-Gantry Size  
Intermediate - 6000mm Beam**

DWG NO.

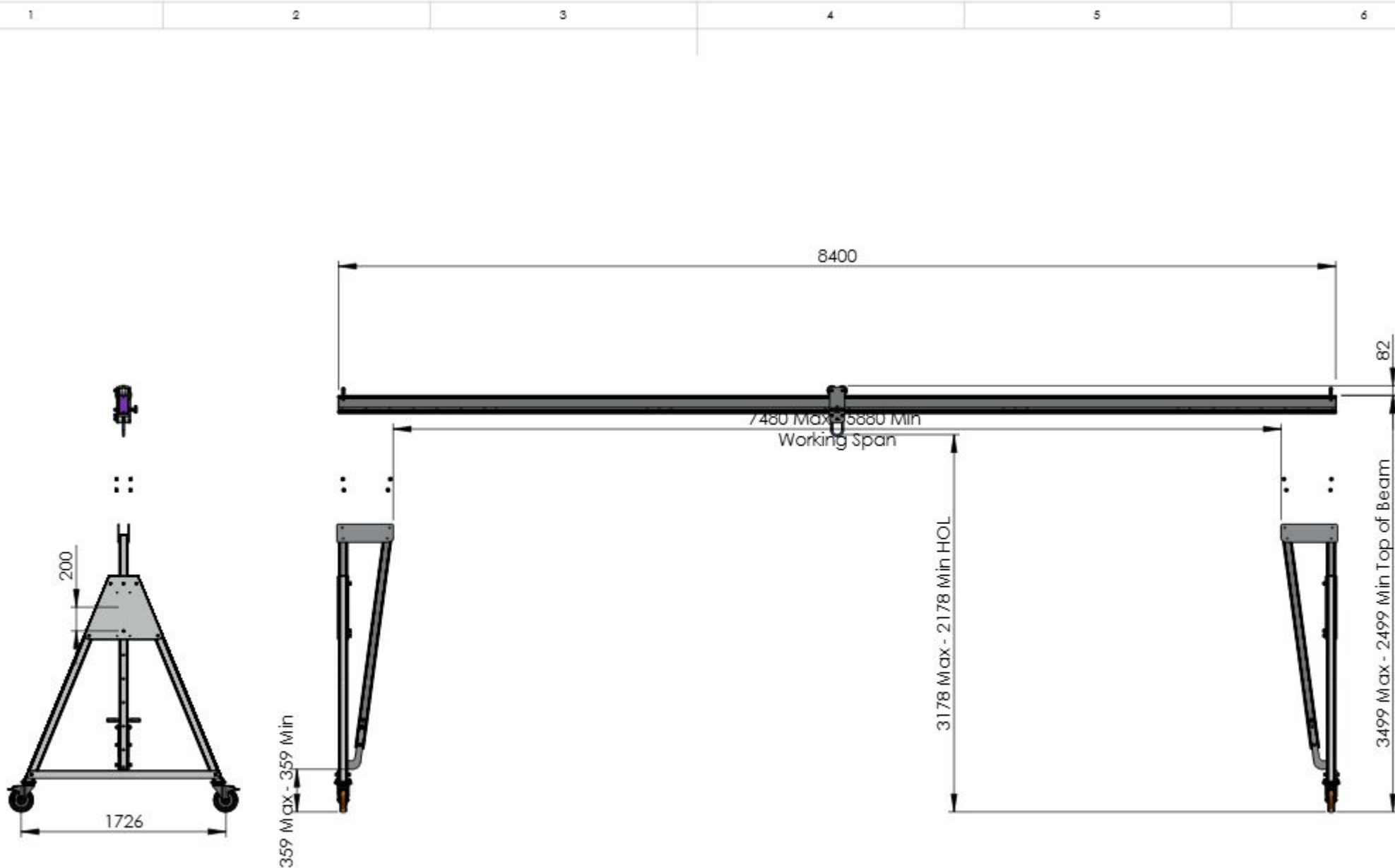
**PGSS01000I-6000A**

A4

Estimated Weight: 144kg

1:40

SHEET 2 OF 2



DO NOT SCALE DRAWING

REVISION **03**



Reid Lifting Limited. Unit 1  
Wyeview, Newhouse Farm Ind. Est.,  
Chepstow, Monmouthshire.  
NP16 6UD, UK

Tel +44(0) 1291 620796  
Fax +44(0) 1291 626490

[www.reidlifting.com](http://www.reidlifting.com)

[enquiries@reidlifting.com](mailto:enquiries@reidlifting.com)

	NAME	DATE	FINISH:
DRAWN	BJ	27/04/2021	Anodised
CHK'D			MATERIAL:
APP'VD	CM	10/03/2023	Aluminium Alloy
<small>ALL COPYRIGHT AND DESIGN RIGHT SUBSISTING IN THIS DOCUMENT IS THE PROPERTY OF REID LIFTING LIMITED AND MAY NOT BE REPRODUCED WITHOUT REID LIFTING'S CONSENT. THIS DOCUMENT AND THE INFORMATION CONTAINED WITHIN IT IS CONFIDENTIAL AND MAY NOT BE DISCLOSED TO ANY THIRD PARTY NOR USED FOR ANY UNAUTHORISED PURPOSE WITHOUT REID LIFTING'S CONSENT</small>			
<small>UNLESS OTHERWISE SPECIFIED: DIMENSIONS ARE IN MILLIMETERS</small>			



TITLE: **General Arrangement of REID Lifting Intermediate Porta-Gantry - 8400mm Beam**

DWG NO. **PGSS01000I-8400B** A4

Estimated Weight: 179kg 1:45 SHEET 1 OF 2

## General Specification

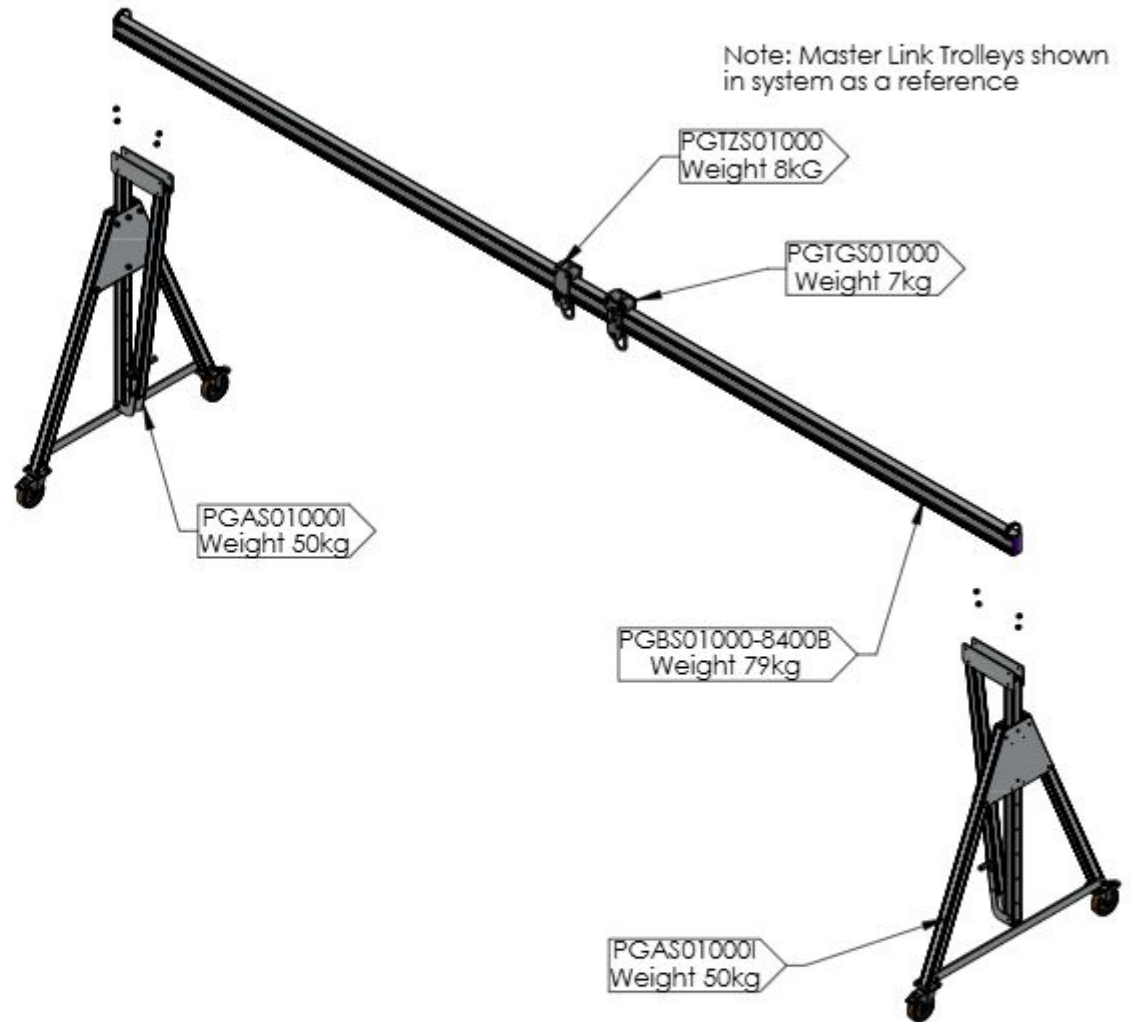
- Maximum rated capacity for goods lifting - 1000kg
- Maximum rated capacity for personnel lifting - 500kg
- Beam deflection at maximum rated capacity of 1000kg - between 110 - 120mm at centre of span
- Maximum castor surface pressure at full load - 24.09 Mpa
- Assembled gantry weight (excluding trolleys) - 179kg
- All welding to BS EN ISO 15614-2: 2005 by certified welders.
- For further details and assembly information refer to Operations and Maintenance Manual for Porta Gantry Product. (available at [www.reidlifting.com](http://www.reidlifting.com))

## Fall Protection Standards

- Certified to EN795:2012 Type B & supplied under the PPE regulation 2016/425
- Notified Body Witness tested to the requirements of PD CEN/TS16415:2013 for 3 persons
- Exceeds the requirements of IRATA ICOP & BS7985 (15kN MBL)

## Materials & Finishes

- Frame and beam - 6082 T6 Aluminium alloy. Anodized.
- Castors - Steel. Bright Zinc Plated.
- Castor Wheels & Rollers - Nylon & Polyurethane
- Fixings - Steel. Grade 12:9. Bright Zinc Plated.



Approved

DO NOT SCALE DRAWING

REVISION **03**



Reid Lifting Limited. Unit 1  
Wyeview, Newhouse Farm Ind. Est.,  
Chepstow, Monmouthshire.  
NP16 6UD, UK

Tel +44(0)1291 620796  
Fax: +44(0)1291 626490

[www.reidlifting.com](http://www.reidlifting.com)

[enquiries@reidlifting.com](mailto:enquiries@reidlifting.com)

	NAME	DATE
DRAWN	BJ	27/04/2021
CHK'D		
APP'VD	CM	10/03/2023

UNLESS OTHERWISE SPECIFIED:  
DIMENSIONS ARE IN MILLIMETERS

ALL COPYRIGHT AND DESIGN RIGHT SUBSISTING IN THIS DOCUMENT IS THE PROPERTY OF REID LIFTING LIMITED AND MAY NOT BE REPRODUCED WITHOUT REID LIFTING'S CONSENT. THIS DOCUMENT AND THE INFORMATION CONTAINED WITHIN IT IS CONFIDENTIAL AND MAY NOT BE DISCLOSED TO ANY THIRD PARTY NOR USED FOR ANY UNAUTHORIZED PURPOSE WITHOUT REID LIFTING'S CONSENT



TITLE: **General Arrangement of REID Lifting Intermediate Porta-Gantry - 8400mm Beam**

DWG NO.

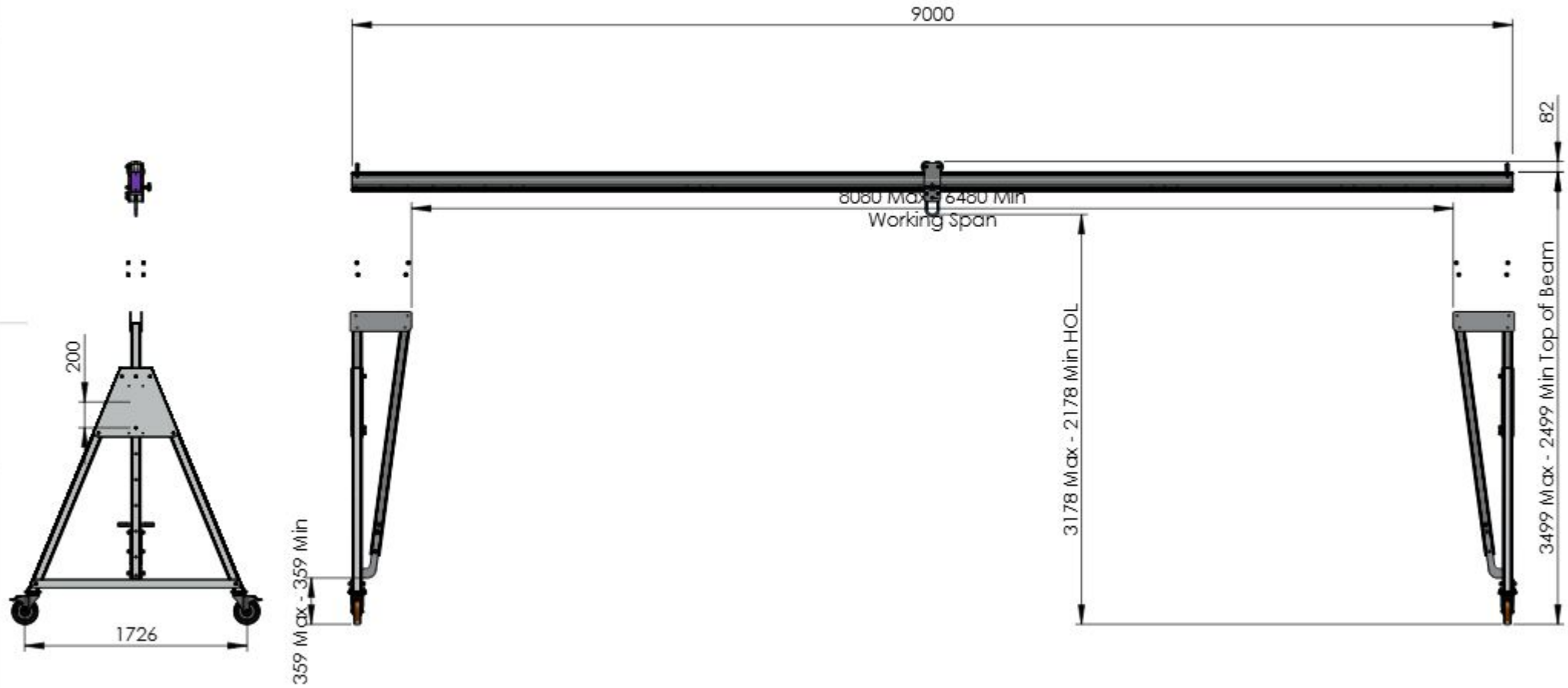
**PGSS01000I-8400B**

A4

Estimated Weight: 179kg

1:50

SHEET 2 OF 2



DO NOT SCALE DRAWING

REVISION **02**



Reid Lifting Limited. Unit 1  
Wyeview, Newhouse Farm Ind. Est.,  
Chepstow, Monmouthshire,  
NP16 6UD, UK

Tel +44(0) 1291 620796  
Fax +44(0) 1291 626490

[www.reidlifting.com](http://www.reidlifting.com)

[enquiries@reidlifting.com](mailto:enquiries@reidlifting.com)

	NAME	DATE	FINISH:
DRAWN	SS	17/05/2021	Anodised
CHK'D			MATERIAL:
APPR'D	CM	10/03/2023	Aluminium Alloy
<small>ALL COPYRIGHT AND DESIGN RIGHT SUBSISTING IN THIS DOCUMENT IS THE PROPERTY OF REID LIFTING LIMITED AND MAY NOT BE REPRODUCED WITHOUT REID LIFTING'S CONSENT. THIS DOCUMENT AND THE INFORMATION CONTAINED WITHIN IT IS CONFIDENTIAL AND MAY NOT BE DISCLOSED TO ANY THIRD PARTY NOR USED FOR ANY UNAUTHORISED PURPOSE WITHOUT REID LIFTING'S CONSENT</small>			
<small>UNLESS OTHERWISE SPECIFIED: DIMENSIONS ARE IN MILLIMETERS</small>			

TITLE: **General Arrangement of REID Lifting Intermediate Porta-Gantry - 9000mm Beam**

DWG NO. **PGSS01000I-9000B** A4

Estimated Weight: 184kg 1:45 SHEET 1 OF 2

## General Specification

- Maximum rated capacity for goods lifting - 1000kg
- Maximum rated capacity for personnel lifting - 500kg
- Beam deflection at maximum rated capacity of 1000kg - between 125 - 140mm at centre of span
- Maximum castor surface pressure at full load - 24.15 Mpa
- Assembled gantry weight (excluding trolleys) - 184kg
- All welding to BS EN ISO 15614-2: 2005 by certified welders.
- For further details and assembly information refer to Operations and Maintenance Manual for Porta Gantry Product. (available at [www.reidlifting.com](http://www.reidlifting.com))

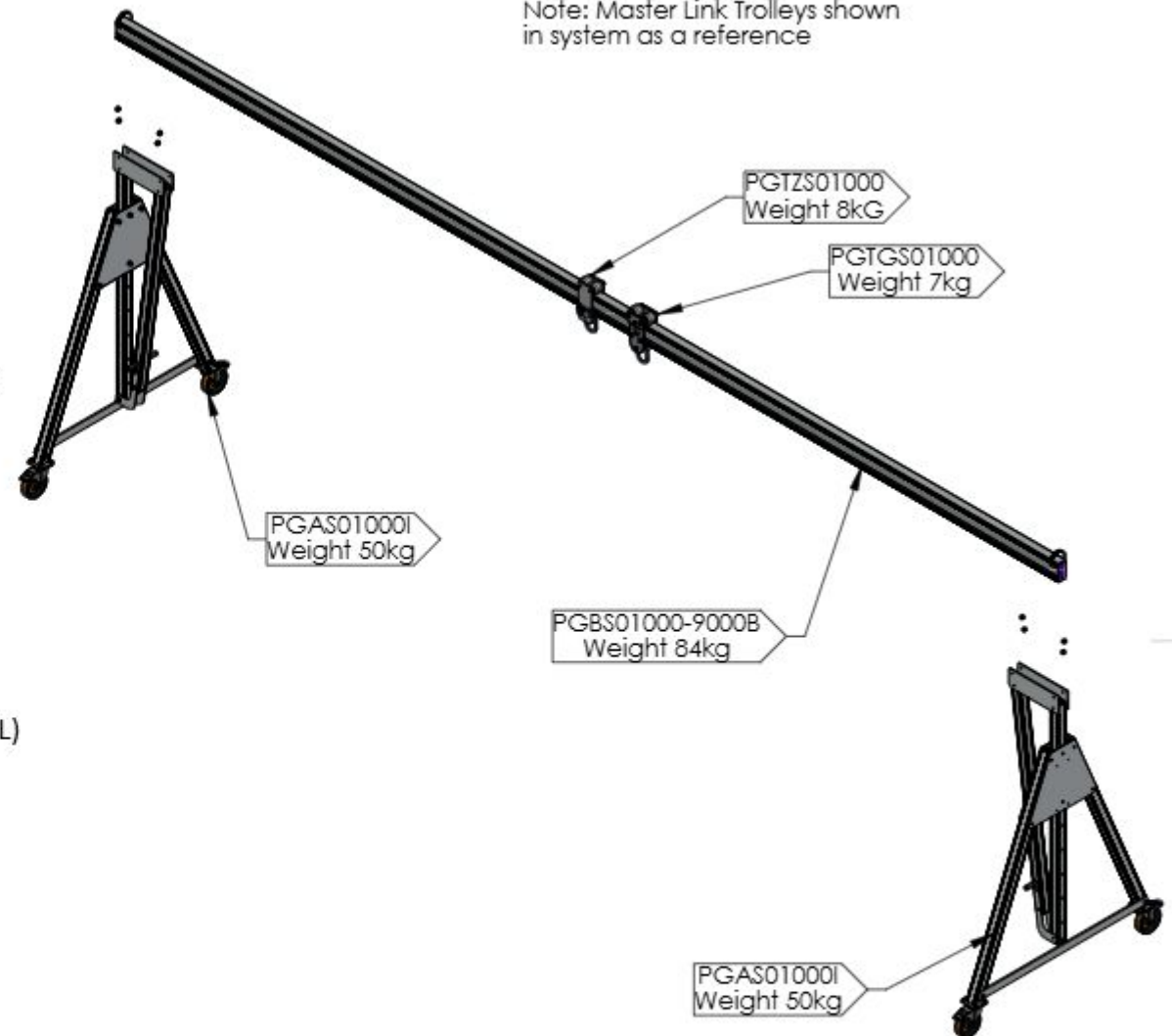
## Fall Protection Standards

- Certified to EN795:2012 Type B & supplied under the PPE regulation 2016/425
- Notified Body Witness tested to the requirements of PD CEN/TS16415:2013 for 3 persons
- Exceeds the requirements of IRATA ICOP & BS7985 (15kN MBL)

## Materials & Finishes

- Frame and beam - 6082 T6 Aluminium alloy. Anodized.
- Castors - Steel. Bright Zinc Plated.
- Castor Wheels & Rollers - Nylon & Polyurethane
- Fixings - Steel. Grade 12:9. Bright Zinc Plated.

Note: Master Link Trolleys shown in system as a reference



Approved

DO NOT SCALE DRAWING

REVISION **02**



Reid Lifting Limited. Unit 1  
Wyeview, Newhouse Farm Ind. Est.,  
Chepstow, Monmouthshire.  
NP16 6UD, UK

Tel +44(0)1291 620796  
Fax: +44(0)1291 626490

[www.reidlifting.com](http://www.reidlifting.com)

[enquiries@reidlifting.com](mailto:enquiries@reidlifting.com)

	NAME	DATE
DRAWN	SS	17/05/2021
CHK'D		
APP'VD	CM	10/03/2023

UNLESS OTHERWISE SPECIFIED:  
DIMENSIONS ARE IN MILLIMETERS

ALL COPYRIGHT AND DESIGN RIGHT SUBSISTING IN THIS DOCUMENT IS THE PROPERTY OF REID LIFTING LIMITED AND MAY NOT BE REPRODUCED WITHOUT REID LIFTING'S CONSENT. THIS DOCUMENT AND THE INFORMATION CONTAINED WITHIN IT IS CONFIDENTIAL AND MAY NOT BE DISCLOSED TO ANY THIRD PARTY NOR USED FOR ANY UNAUTHORIZED PURPOSE WITHOUT REID LIFTING'S CONSENT



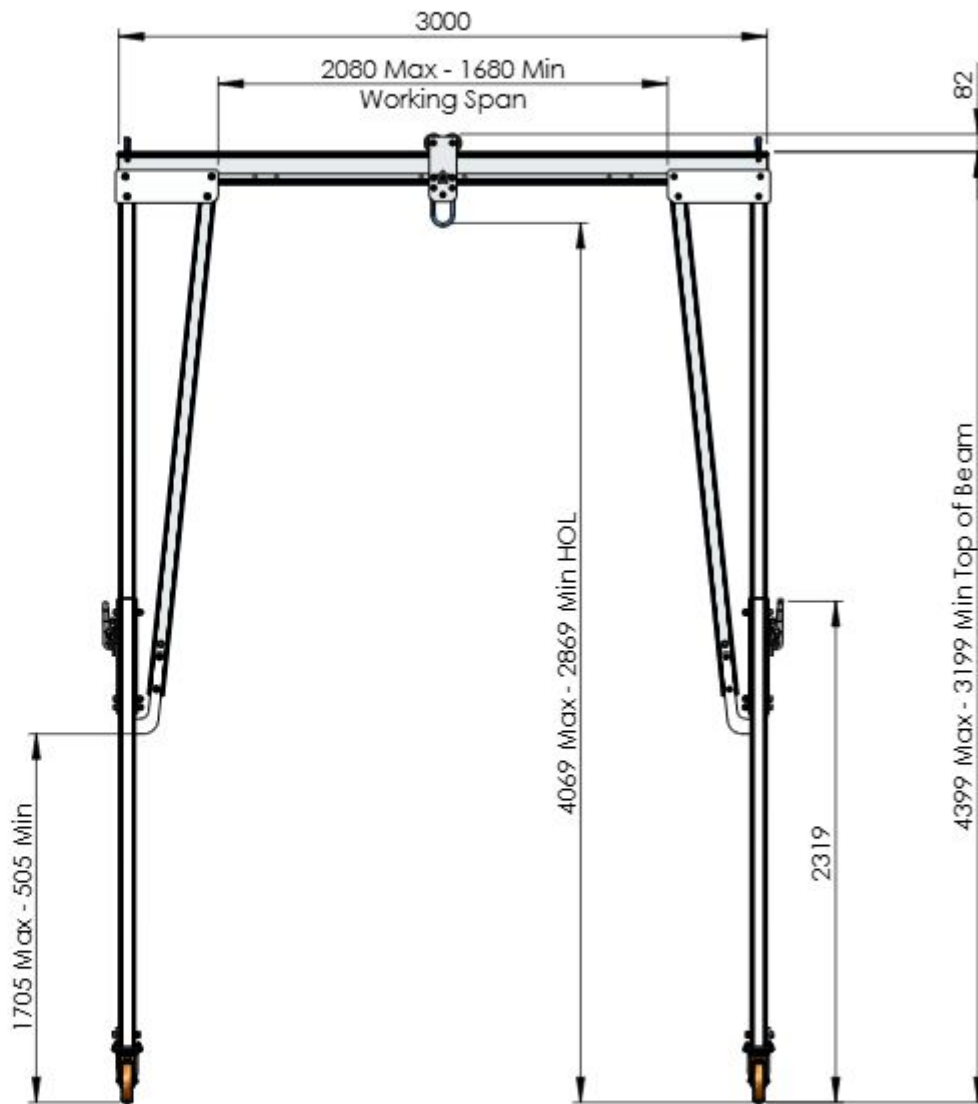
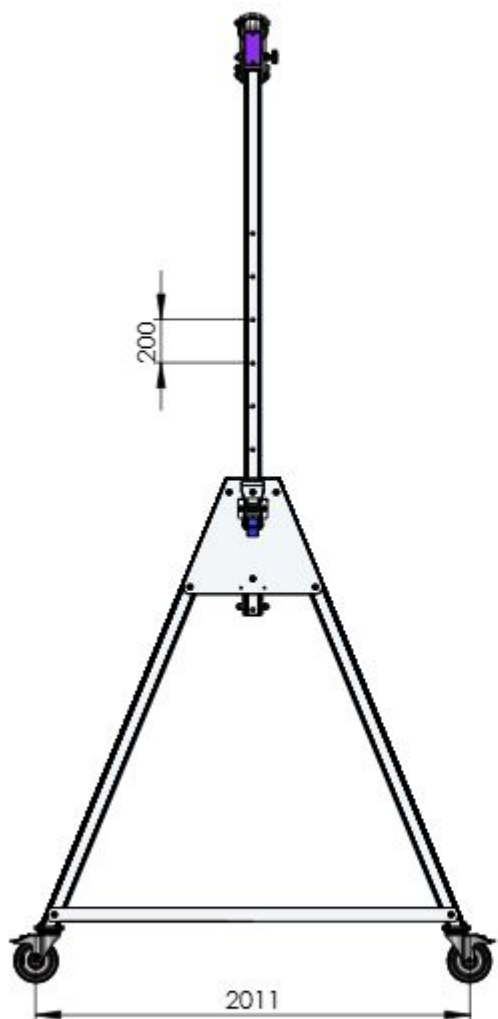
TITLE: **General Arrangement of REID Lifting Intermediate Porta-Gantry - 9000mm Beam**

DWG NO. **PGSS01000I-9000B** A4

Estimated Weight: 184kg 1:50 SHEET 2 OF 2



To ensure stability of the structure, the working span of the beam must be equal to or greater than the distance between castors on the A-frame



DO NOT SCALE DRAWING

REVISION **02**



Reid Lifting Limited. Unit 1  
Wyeview, Newhouse Farm Ind. Est.,  
Chepstow, Monmouthshire.  
NP16 6UD, UK

Tel +44(0) 1291 620796  
Fax +44(0) 1291 626490

[www.reidlifting.com](http://www.reidlifting.com)

[enquiries@reidlifting.com](mailto:enquiries@reidlifting.com)

	NAME	DATE	FINISH:
DRAWN	SS	26/05/2021	Anodised
CHK'D			MATERIAL:
APPR'D	CM	10/03/2023	Aluminium Alloy
<small>ALL COPYRIGHT AND DESIGN RIGHT SUBSISTING IN THIS DOCUMENT IS THE PROPERTY OF REID LIFTING LIMITED AND MAY NOT BE REPRODUCED WITHOUT REID LIFTING'S CONSENT. THIS DOCUMENT AND THE INFORMATION CONTAINED WITHIN IT IS CONFIDENTIAL AND MAY NOT BE DISCLOSED TO ANY THIRD PARTY NOR USED FOR ANY UNAUTHORISED PURPOSE WITHOUT REID LIFTING'S CONSENT</small>			
<small>UNLESS OTHERWISE SPECIFIED: DIMENSIONS ARE IN MILLIMETERS</small>			



TITLE: **General Arrangement of REID Lifting Porta-Gantry Size Tall - 3000mm Beam WLL 1000kg**

DWG NO. **PGSS01000T-3000A** **A4**

Estimated Weight: 134kg 1:35 SHEET 1 OF 2

## General Specification

- Maximum rated capacity for goods lifting - 1000kg
- Maximum rated capacity for personnel lifting - 500kg
- Beam deflection at maximum rated capacity of 1000kg - between 5 - 10mm at centre of span
- Maximum castor surface pressure at full load - 23.6 Mpa
- Assembled gantry weight (excluding trolleys) - 134kg
- All welding to BS EN ISO 15614-2: 2005 by certified welders.
- For further details and assembly information refer to Operations and Maintenance Manual for Porta Gantry Product. (available at [www.reidlifting.com](http://www.reidlifting.com))

## Fall Protection Standards

- Certified to EN795:2012 Type B & supplied under PPE Regulation 2016/425
- Notified Body Witness tested to the requirements of PD CEN/TS16415:2013 for 3 persons
- Exceeds the requirements of IRATA ICOP & BS7985 (15kN MBL)
- Tested to and meets the requirements of ANSI Z359.18.2017 for 2 persons.

## Materials & Finishes

- Frame and beam - 6082 T6 Aluminium alloy. Anodized.
- Castors - Steel. Bright Zinc Plated.
- Castor Wheels & Rollers - Nylon & Polyurethane
- Fixings - Steel. Grade 12.9. Bright Zinc Plated.

Note: Master Link Trolleys shown in system as a reference



Approved

DO NOT SCALE DRAWING

REVISION **02**



Reid Lifting Limited. Unit 1  
Wyeview, Newhouse Farm Ind. Est.,  
Chepstow, Monmouthshire.  
NP16 6UD, UK

Tel +44(0)1291 620796  
Fax: +44(0)1291 626490

[www.reidlifting.com](http://www.reidlifting.com)

[enquiries@reidlifting.com](mailto:enquiries@reidlifting.com)

	NAME	DATE
DRAWN	SS	26/05/2021
CHK'D		
APPR'D	CM	10/03/2023

UNLESS OTHERWISE SPECIFIED:  
DIMENSIONS ARE IN MILLIMETERS

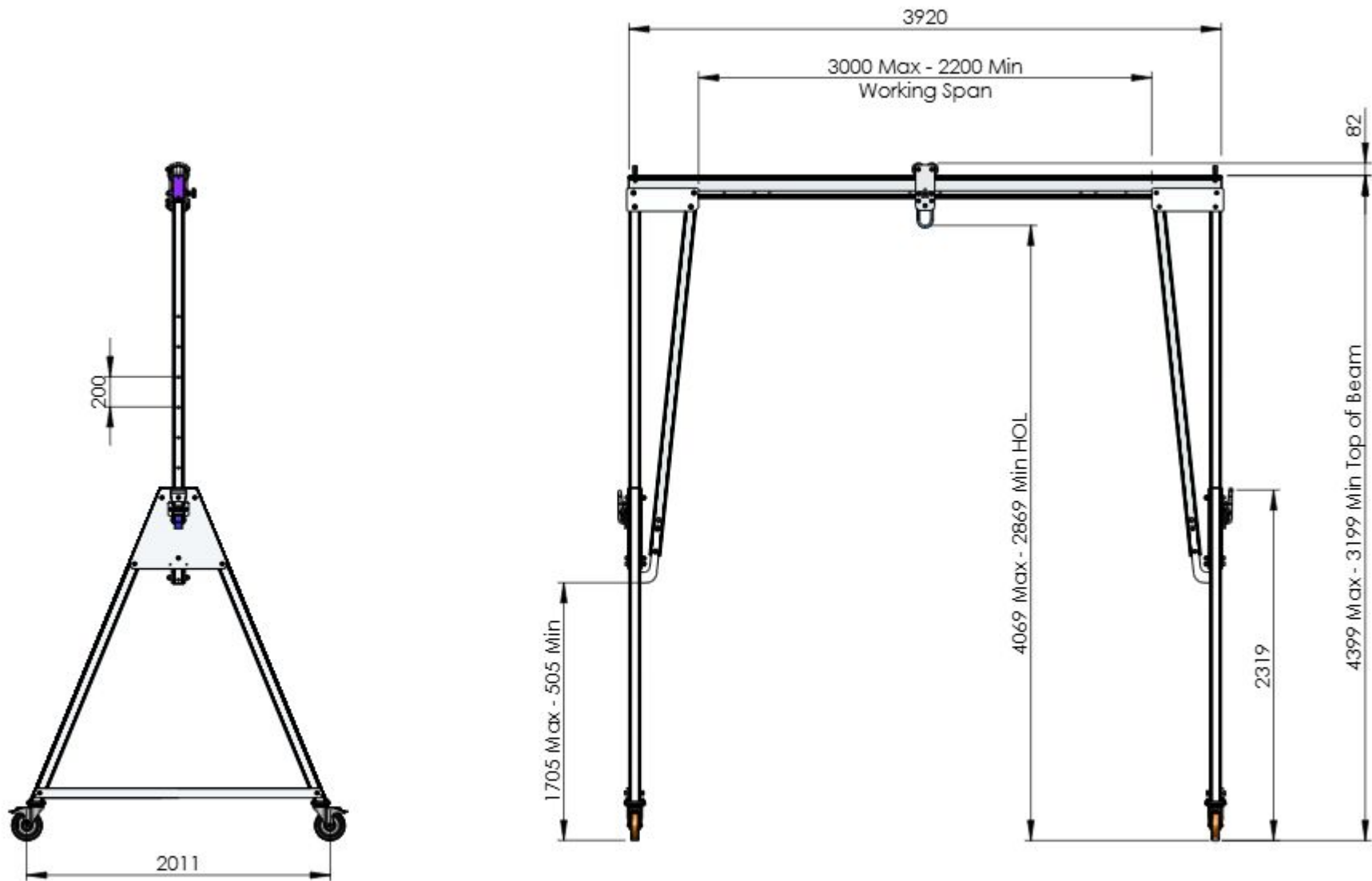
ALL COPYRIGHT AND DESIGN RIGHT SUBSISTING IN THIS DOCUMENT IS THE PROPERTY OF REID LIFTING LIMITED AND MAY NOT BE REPRODUCED WITHOUT REID LIFTING'S CONSENT. THIS DOCUMENT AND THE INFORMATION CONTAINED WITHIN IT IS CONFIDENTIAL AND MAY NOT BE DISCLOSED TO ANY THIRD PARTY NOR USED FOR ANY UNAUTHORISED PURPOSE WITHOUT REID LIFTING'S CONSENT



TITLE: **General Arrangement of REID Lifting Porta-Gantry Size Tall - 3000mm Beam WLL 1000kg**

DWG NO. **PGSS01000T-3000A** **A4**

Estimated Weight: 134kg 1:35 SHEET 2 OF 2



DO NOT SCALE DRAWING

REVISION **03**



Reid Lifting Limited. Unit 1  
Wyeview, Newhouse Farm Ind. Est.,  
Chepstow, Monmouthshire,  
NP16 6UD, UK

Tel +44(0) 1291 620796  
Fax +44(0) 1291 626490

[www.reidlifting.com](http://www.reidlifting.com)

[enquiries@reidlifting.com](mailto:enquiries@reidlifting.com)

	NAME	DATE	FINISH:
DRAWN	BJ	19/01/2021	Anodised
CHK'D			MATERIAL:
APPR'D	CM	10/03/2023	Aluminium Alloy
<small>ALL COPYRIGHT AND DESIGN RIGHT SUBSISTING IN THIS DOCUMENT IS THE PROPERTY OF REID LIFTING LIMITED AND MAY NOT BE REPRODUCED WITHOUT REID LIFTING'S CONSENT. THIS DOCUMENT AND THE INFORMATION CONTAINED WITHIN IT IS CONFIDENTIAL AND MAY NOT BE DISCLOSED TO ANY THIRD PARTY NOR USED FOR ANY UNAUTHORISED PURPOSE WITHOUT REID LIFTING'S CONSENT</small>			
<small>UNLESS OTHERWISE SPECIFIED: DIMENSIONS ARE IN MILLIMETERS</small>			

TITLE:

**General Arrangement of REID  
Lifting Porta-Gantry Size Tall  
3920mm Beam WLL1000kg**

DWG NO.

**PGSS01000T-3920A**

A4

Estimated Weight: 141kg

1:40

SHEET 1 OF 2

## General Specification

- Maximum rated capacity for goods lifting - 1000kg
- Maximum rated capacity for personnel lifting - 500kg
- Beam deflection at maximum rated capacity of 1000kg - between 15-20 mm at centre of span
- Maximum castor surface pressure at full load - 23.68 MPa
- Assembled gantry weight (excluding trolleys) - 141kg
- All welding to BS EN ISO 15614-2: 2005 by certified welders.
- For further details and assembly information refer to Operations and Maintenance Manual for Porta Gantry Product. (available at [www.reidlifting.com](http://www.reidlifting.com))

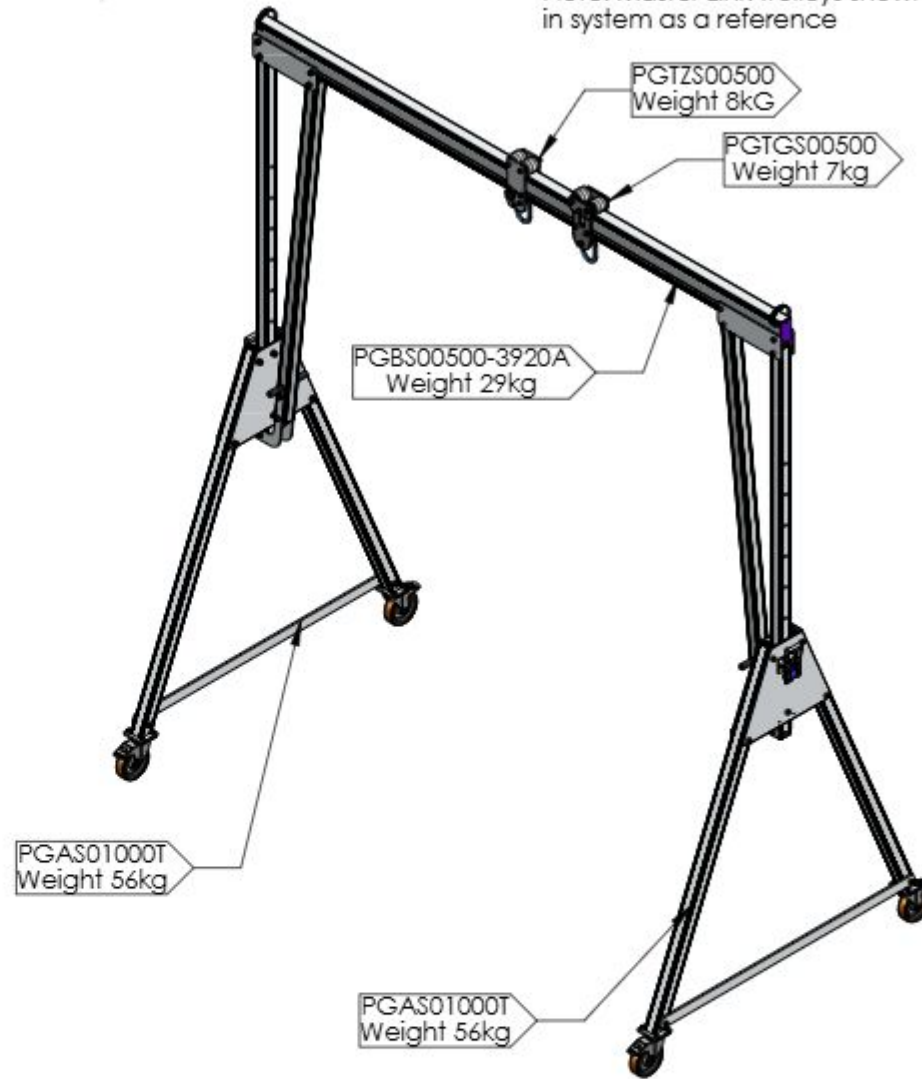
## Fall Protection Standards

- Certified to EN795:2012 Type B & supplied under PPE Regulation 2016/425
- Notified Body Witness tested to the requirements of PD CEN/TS16415:2013 for 3 persons
- Exceeds the requirements of IRATA ICOP & BS7985 (15kN MBL)
- Tested to and meets the requirements of ANSI Z359.18.2017 for 2 persons.

## Materials & Finishes

- Frame and beam - 6082 T6 Aluminium alloy. Anodised.
- Castors - Steel. Bright Zinc Plated.
- Castor Wheels & Rollers - Nylon & Polyurethane
- Fixings - Steel. Grade 12.9. Bright Zinc Plated.

Note: Master Link Trolleys shown in system as a reference



Approved

DO NOT SCALE DRAWING

REVISION **03**

**REID**  
**LIFTING**

[www.reidlifting.com](http://www.reidlifting.com)

Reid Lifting Limited. Unit 1  
Wyeview, Newhouse Farm Ind. Est.,  
Chepstow, Monmouthshire.  
NP16 6UD, UK

Tel +44(0)1291 620796  
Fax: +44(0)1291 626490

[enquiries@reidlifting.com](mailto:enquiries@reidlifting.com)

	NAME	DATE
DRAWN	BJ	19/01/2021
CHK'D		
APPR'D	CM	10/03/2023

UNLESS OTHERWISE SPECIFIED:  
DIMENSIONS ARE IN MILLIMETERS

ALL COPYRIGHT AND DESIGN RIGHT SUBSISTING IN THIS DOCUMENT IS THE PROPERTY OF REID LIFTING LIMITED AND MAY NOT BE REPRODUCED WITHOUT REID LIFTING'S CONSENT. THIS DOCUMENT AND THE INFORMATION CONTAINED WITHIN IT IS CONFIDENTIAL AND MAY NOT BE DISCLOSED TO ANY THIRD PARTY NOR USED FOR ANY UNAUTHORIZED PURPOSE WITHOUT REID LIFTING'S CONSENT



TITLE:

**General Arrangement of REID  
Lifting Porta-Gantry Size Tall  
3920mm Beam WLL1000kg**

DWG NO.

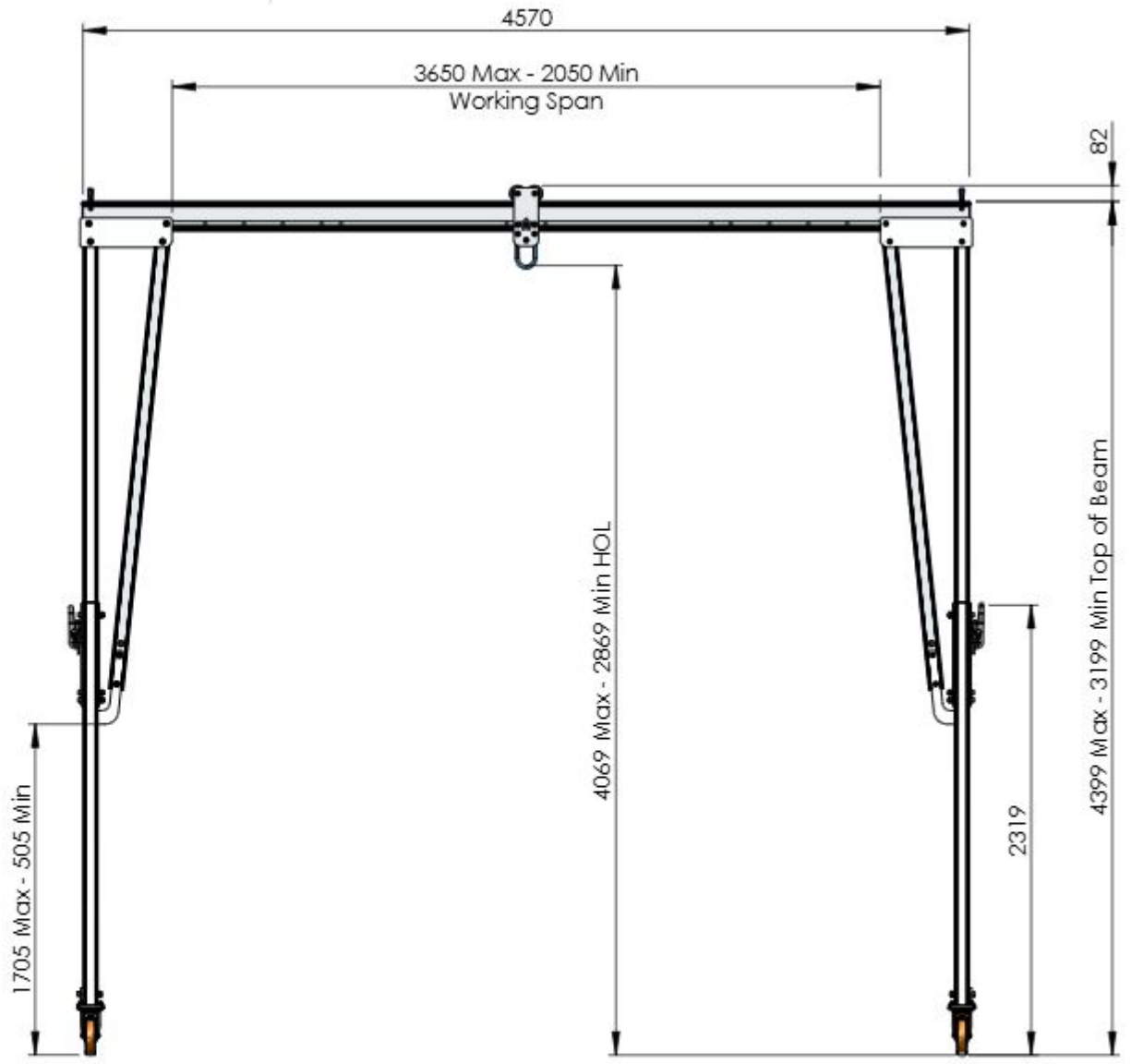
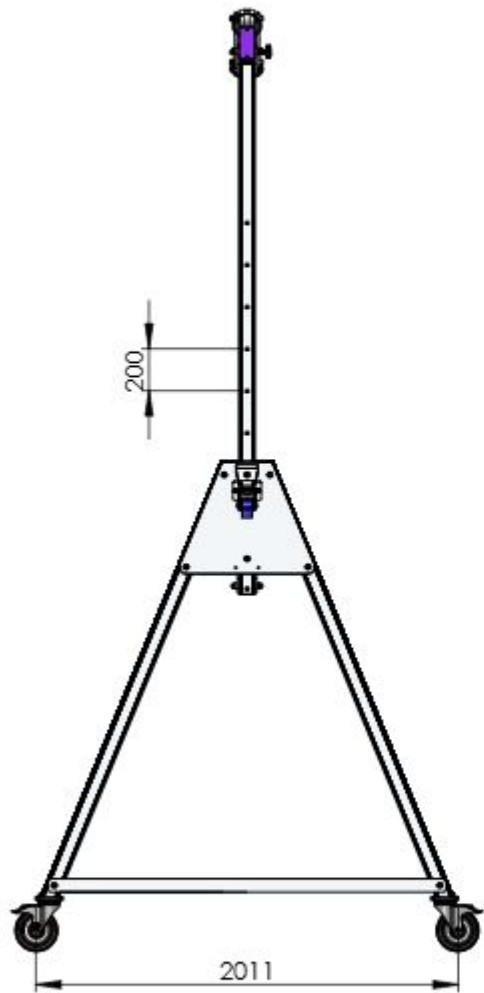
**PGSS01000T-3920A**

A4

Estimated Weight: 141kg

1:40

SHEET 2 OF 2



DO NOT SCALE DRAWING

REVISION **03**



Reid Lifting Limited. Unit 1  
Wyeview, Newhouse Farm Ind. Est.,  
Chepstow, Monmouthshire,  
NP16 6UD, UK

Tel +44(0) 1291 620796  
Fax +44(0) 1291 626490

[www.reidlifting.com](http://www.reidlifting.com)

[enquiries@reidlifting.com](mailto:enquiries@reidlifting.com)

	NAME	DATE	FINISH:
DRAWN	BJ	21/10/2020	Anodised
CHK'D			MATERIAL:
APP'VD	CM	10/03/2023	Aluminium Alloy
<small>ALL COPYRIGHT AND DESIGN RIGHT SUBSISTING IN THIS DOCUMENT IS THE PROPERTY OF REID LIFTING LIMITED AND MAY NOT BE REPRODUCED WITHOUT REID LIFTING'S CONSENT. THIS DOCUMENT AND THE INFORMATION CONTAINED WITHIN IT IS CONFIDENTIAL AND MAY NOT BE DISCLOSED TO ANY THIRD PARTY NOR USED FOR ANY UNAUTHORISED PURPOSE WITHOUT REID LIFTING'S CONSENT</small>			
<small>UNLESS OTHERWISE SPECIFIED: DIMENSIONS ARE IN MILLIMETERS</small>			

TITLE: **General Arrangement of REID Lifting Porta-Gantry Size Tall 4570mm Beam WLL1000kg**

DWG NO.	<b>PGSS01000T-4570A</b>	A4
Estimated Weight:	145kg	1:36
		SHEET 1 OF 2

## General Specification

- Maximum rated capacity for goods lifting - 1000kg
- Maximum rated capacity for personnel lifting - 500kg
- Beam deflection at maximum rated capacity of 1000kg - between 20-30 mm at centre of span
- Maximum castor surface pressure at full load - 23.73 MPa
- Assembled gantry weight (excluding trolleys) - 145kg
- All welding to BS EN ISO 15614-2: 2005 by certified welders.
- For further details and assembly information refer to Operations and Maintenance Manual for Porta Gantry Product. (available at [www.reidlifting.com](http://www.reidlifting.com))

## Fall Protection Standards

- Certified to EN795:2012 Type B & supplied under PPE Regulation 2016/425
- Notified Body Witness tested to the requirements of PD CEN/TS16415:2013 for 3 persons
- Exceeds the requirements of IRATA ICOP & BS7985 (15kN MBL)
- Tested to and meets the requirements of ANSI Z359.18.2017 for 2 persons.

## Materials & Finishes

- Frame and beam - 6082 T6 Aluminium alloy. Anodised.
- Castors - Steel. Bright Zinc Plated.
- Castor Wheels & Rollers - Nylon & Polyurethane
- Fixings - Steel. Grade 12.9. Bright Zinc Plated.

Note: Master Link Trolleys shown in system as a reference



Approved

DO NOT SCALE DRAWING

REVISION

03



Reid Lifting Limited. Unit 1  
Wyeview, Newhouse Farm Ind. Est.,  
Chepstow, Monmouthshire.  
NP16 6UD, UK

Tel +44(0)1291 620796  
Fax: +44(0)1291 626490

[www.reidlifting.com](http://www.reidlifting.com)

[enquiries@reidlifting.com](mailto:enquiries@reidlifting.com)

	NAME	DATE
DRAWN	BJ	21/10/2020
CHK'D		
APPR'D	CM	10/03/2023

UNLESS OTHERWISE SPECIFIED:  
DIMENSIONS ARE IN MILLIMETERS

ALL COPYRIGHT AND DESIGN RIGHT SUBSISTING IN THIS DOCUMENT IS THE PROPERTY OF REID LIFTING LIMITED AND MAY NOT BE REPRODUCED WITHOUT REID LIFTING'S CONSENT. THIS DOCUMENT AND THE INFORMATION CONTAINED WITHIN IT IS CONFIDENTIAL AND MAY NOT BE DISCLOSED TO ANY THIRD PARTY NOR USED FOR ANY UNAUTHORIZED PURPOSE WITHOUT REID LIFTING'S CONSENT



TITLE: **General Arrangement of REID Lifting Porta-Gantry Size Tall 4570mm Beam WLL1000kg**

DWG NO.

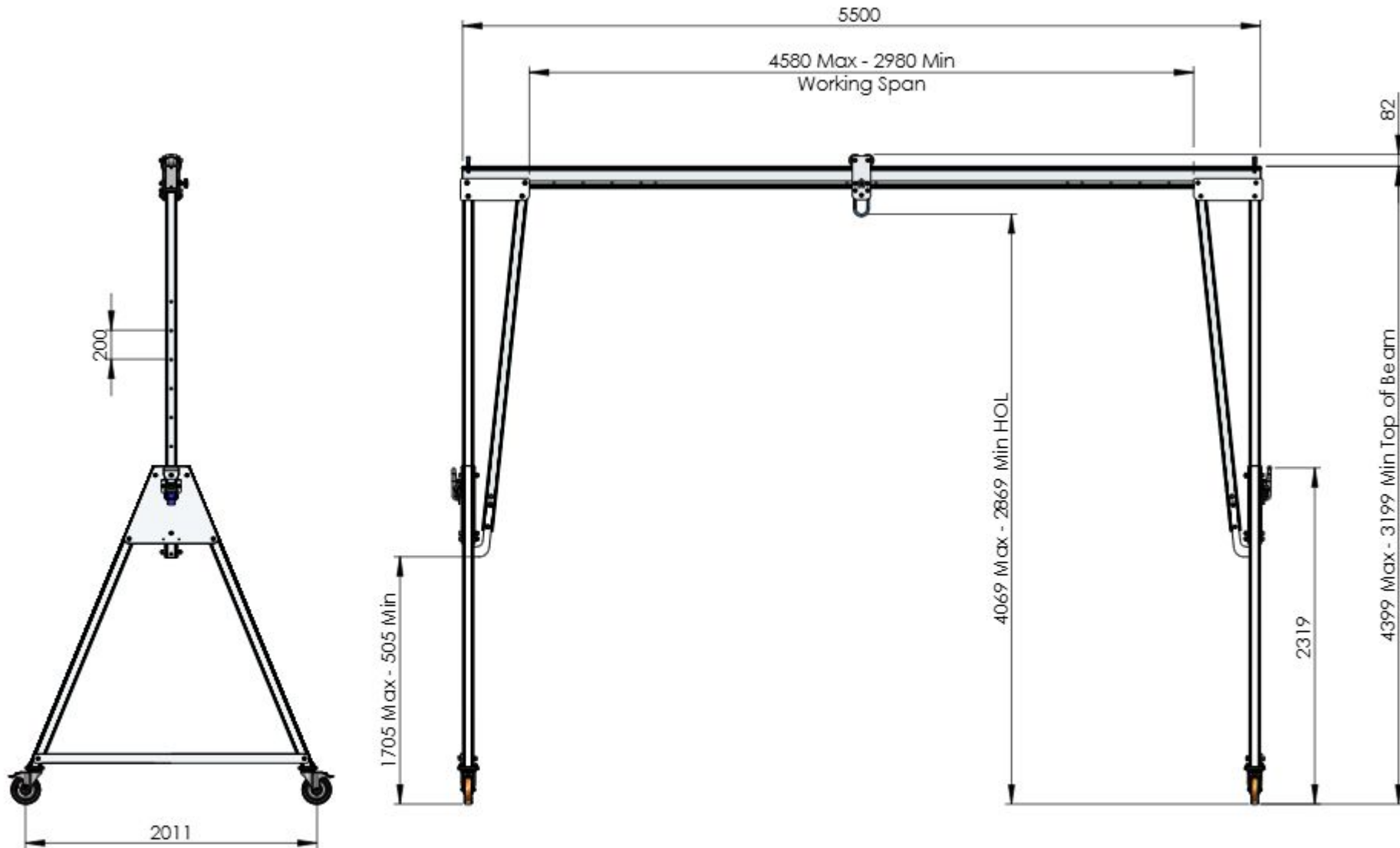
PGSS01000T-4570A

A4

Estimated Weight: 145kg

1:45

SHEET 2 OF 2



DO NOT SCALE DRAWING

REVISION **01**



Reid Lifting Limited. Unit 1  
Wyeview, Newhouse Farm Ind. Est.,  
Chepstow, Monmouthshire.  
NP16 6UD, UK

Tel +44(0) 1291 620796  
Fax +44(0) 1291 626490

[www.reidlifting.com](http://www.reidlifting.com)

[enquiries@reidlifting.com](mailto:enquiries@reidlifting.com)

	NAME	DATE	FINISH:
DRAWN	SS	26/05/2021	Anodised
CHK'D			MATERIAL:
APPR'D	CM	10/03/2023	Aluminium Alloy
<small>ALL COPYRIGHT AND DESIGN RIGHT SUBSISTING IN THIS DOCUMENT IS THE PROPERTY OF REID LIFTING LIMITED AND MAY NOT BE REPRODUCED WITHOUT REID LIFTING'S CONSENT. THIS DOCUMENT AND THE INFORMATION CONTAINED WITHIN IT IS CONFIDENTIAL AND MAY NOT BE DISCLOSED TO ANY THIRD PARTY NOR USED FOR ANY UNAUTHORISED PURPOSE WITHOUT REID LIFTING'S CONSENT</small>			
<small>UNLESS OTHERWISE SPECIFIED: DIMENSIONS ARE IN MILLIMETERS</small>			

TITLE:

**General Arrangement of REID  
Lifting Porta-Gantry Size Tall  
5500mm Beam WLL1000kg**

DWG NO.

**PGSS01000T-5500A**

A4

Estimated Weight: 152kg

1:40

SHEET 1 OF 2

## General Specification

- Maximum rated capacity for goods lifting - 1000kg
- Maximum rated capacity for personnel lifting - 500kg
- Beam deflection at maximum rated capacity of 1000kg - between 42 - 52mm at centre of span
- Maximum castor surface pressure at full load - 23.8 Mpa
- Assembled gantry weight (excluding trolleys) - 152kg
- All welding to BS EN ISO 15614-2: 2005 by certified welders.
- For further details and assembly information refer to Operations and Maintenance Manual for Porta Gantry Product. (available at [www.reidlifting.com](http://www.reidlifting.com))

## Fall Protection Standards

- Certified to EN795:2012 Type B & supplied under PPE Regulation 2016/425
- Notified Body Witness tested to the requirements of PD CEN/TS16415:2013 for 3 persons
- Exceeds the requirements of IRATA ICOP & BS7985 (15kN MBL)

## Materials & Finishes

- Frame and beam - 6082 T6 Aluminium alloy. Anodized.
- Castors - Steel. Bright Zinc Plated.
- Castor Wheels & Rollers - Nylon & Polyurethane
- Fixings - Steel. Grade 12:9. Bright Zinc Plated.

Note: Master Link Trolleys shown in system as a reference



Approved

DO NOT SCALE DRAWING

REVISION **01**



Reid Lifting Limited. Unit 1  
Wyeview, Newhouse Farm Ind. Est.,  
Chepstow, Monmouthshire.  
NP16 6UD, UK

Tel +44(0)1291 620796  
Fax: +44(0)1291 626490

[www.reidlifting.com](http://www.reidlifting.com)

[enquiries@reidlifting.com](mailto:enquiries@reidlifting.com)

	NAME	DATE
DRAWN	SS	26/05/2021
CHK'D		
APPR'D	CM	10/03/2023

UNLESS OTHERWISE SPECIFIED:  
DIMENSIONS ARE IN MILLIMETERS

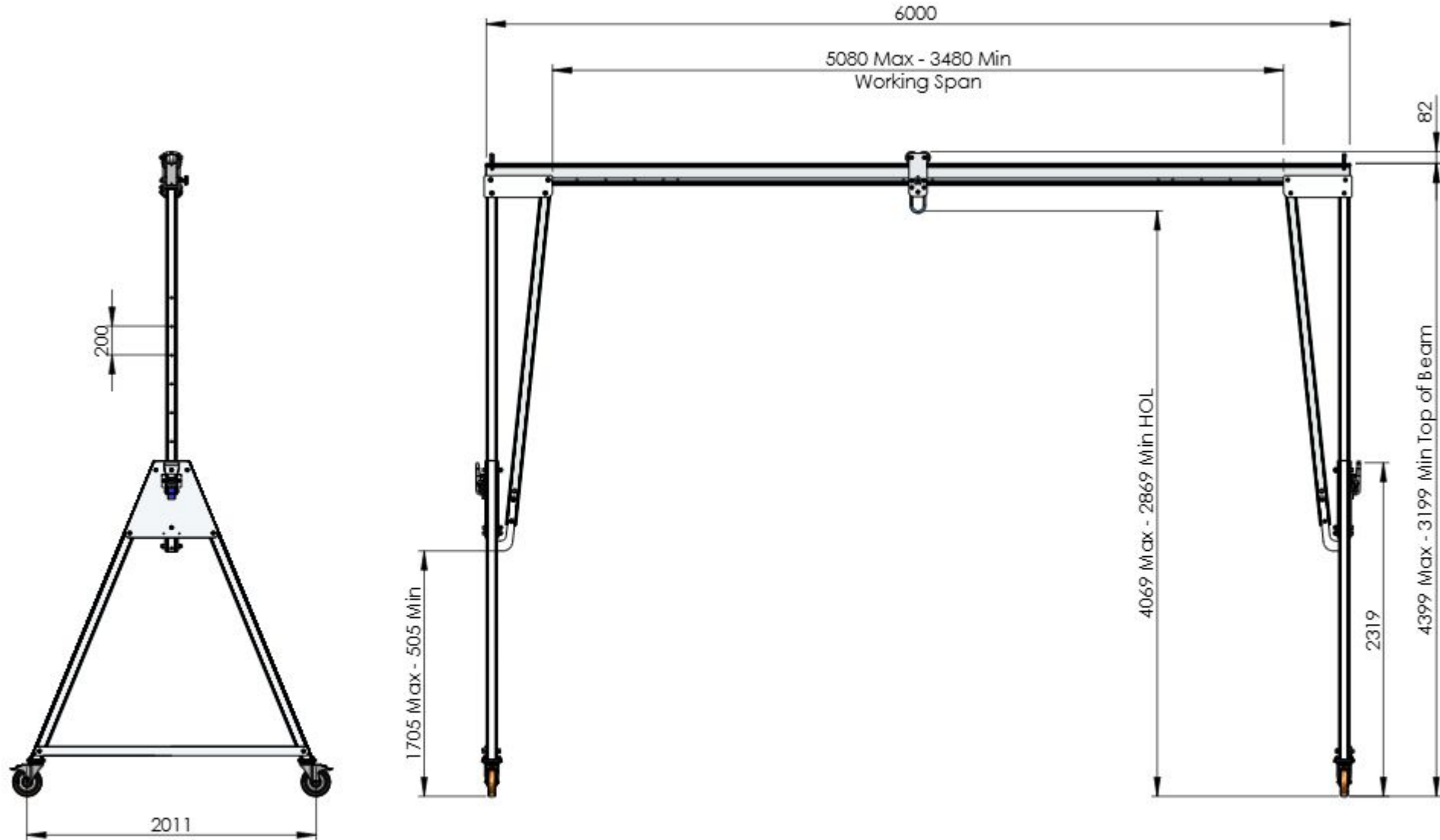
ALL COPYRIGHT AND DESIGN RIGHT SUBSISTING IN THIS DOCUMENT IS THE PROPERTY OF REID LIFTING LIMITED AND MAY NOT BE REPRODUCED WITHOUT REID LIFTING'S CONSENT. THIS DOCUMENT AND THE INFORMATION CONTAINED WITHIN IT IS CONFIDENTIAL AND MAY NOT BE DISCLOSED TO ANY THIRD PARTY NOR USED FOR ANY UNAUTHORIZED PURPOSE WITHOUT REID LIFTING'S CONSENT



TITLE: **General Arrangement of REID Lifting Porta-Gantry Size Tall 5500mm Beam WLL1000kg**

DWG NO. **PGSS01000T-5500A** A4

Estimated Weight: 152kg 1:45 SHEET 2 OF 2



DO NOT SCALE DRAWING

REVISION **02**



Reid Lifting Limited. Unit 1  
Wyeview, Newhouse Farm Ind. Est.,  
Chepstow, Monmouthshire.  
NP16 6UD, UK

Tel +44(0) 1291 620796  
Fax +44(0) 1291 626490

[www.reidlifting.com](http://www.reidlifting.com)

[enquiries@reidlifting.com](mailto:enquiries@reidlifting.com)

	NAME	DATE	FINISH:
DRAWN	SS	26/05/2021	Anodised
CHK'D			MATERIAL:
APP'VD	CM	10/03/2023	Aluminium Alloy
<small>ALL COPYRIGHT AND DESIGN RIGHT SUBSISTING IN THIS DOCUMENT IS THE PROPERTY OF REID LIFTING LIMITED AND MAY NOT BE REPRODUCED WITHOUT REID LIFTING'S CONSENT. THIS DOCUMENT AND THE INFORMATION CONTAINED WITHIN IT IS CONFIDENTIAL AND MAY NOT BE DISCLOSED TO ANY THIRD PARTY NOR USED FOR ANY UNAUTHORISED PURPOSE WITHOUT REID LIFTING'S CONSENT</small>			
<small>UNLESS OTHERWISE SPECIFIED: DIMENSIONS ARE IN MILLIMETERS</small>			



TITLE:

**General Arrangement of REID  
Lifting Porta-Gantry Size Tall  
6000mm Beam WLL1000kg**

DWG NO.

**PGSS01000T-6000A**

A4

Estimated Weight: 156kg

1:40

SHEET 1 OF 2

## General Specification

- Maximum rated capacity for goods lifting - 1000kg
- Maximum rated capacity for personnel lifting - 500kg
- Beam deflection at maximum rated capacity of 1000kg - between 45 - 55mm at centre of span
- Maximum castor surface pressure at full load - 23.84 Mpa
- Assembled gantry weight (excluding trollies) - 156kg
- All welding to BS EN ISO 15614-2: 2005 by certified welders.
- For further details and assembly information refer to Operations and Maintenance Manual for Porta Gantry Product. (available at [www.reidlifting.com](http://www.reidlifting.com))

## Fall Protection Standards

- Certified to EN795:2012 Type B & supplied under PPE Regulation 2016/425
- Notified Body Witness tested to the requirements of PD CEN/TS16415:2013 for 3 persons
- Exceeds the requirements of IRATA ICOP & BS7985 (15kN MBL)
- Tested to and meets the requirements of ANSI Z359.18.2017 for 2 persons.

## Materials & Finishes

- Frame and beam - 6082 T6 Aluminium alloy. Anodized.
- Castors - Steel. Bright Zinc Plated.
- Castor Wheels & Rollers - Nylon & Polyurethane
- Fixings - Steel. Grade 12.9. Bright Zinc Plated.

Note: Master Link Trollies shown in system as a reference



Approved

DO NOT SCALE DRAWING

REVISION **02**



Reid Lifting Limited. Unit 1  
Wyeview, Newhouse Farm Ind. Est.,  
Chepstow, Monmouthshire.  
NP16 6UD, UK

Tel +44(0)1291 620796  
Fax: +44(0)1291 626490

[www.reidlifting.com](http://www.reidlifting.com)

[enquiries@reidlifting.com](mailto:enquiries@reidlifting.com)

	NAME	DATE
DRAWN	SS	26/05/2021
CHK'D		
APP'VD	CM	10/03/2023

UNLESS OTHERWISE SPECIFIED:  
DIMENSIONS ARE IN MILLIMETERS

ALL COPYRIGHT AND DESIGN RIGHT SUBSISTING IN THIS DOCUMENT IS THE PROPERTY OF REID LIFTING LIMITED AND MAY NOT BE REPRODUCED WITHOUT REID LIFTING'S CONSENT. THIS DOCUMENT AND THE INFORMATION CONTAINED WITHIN IT IS CONFIDENTIAL AND MAY NOT BE DISCLOSED TO ANY THIRD PARTY NOR USED FOR ANY UNAUTHORISED PURPOSE WITHOUT REID LIFTING'S CONSENT



TITLE: **General Arrangement of REID Lifting Porta-Gantry Size Tall 6000mm Beam WLL1000kg**

DWG NO.

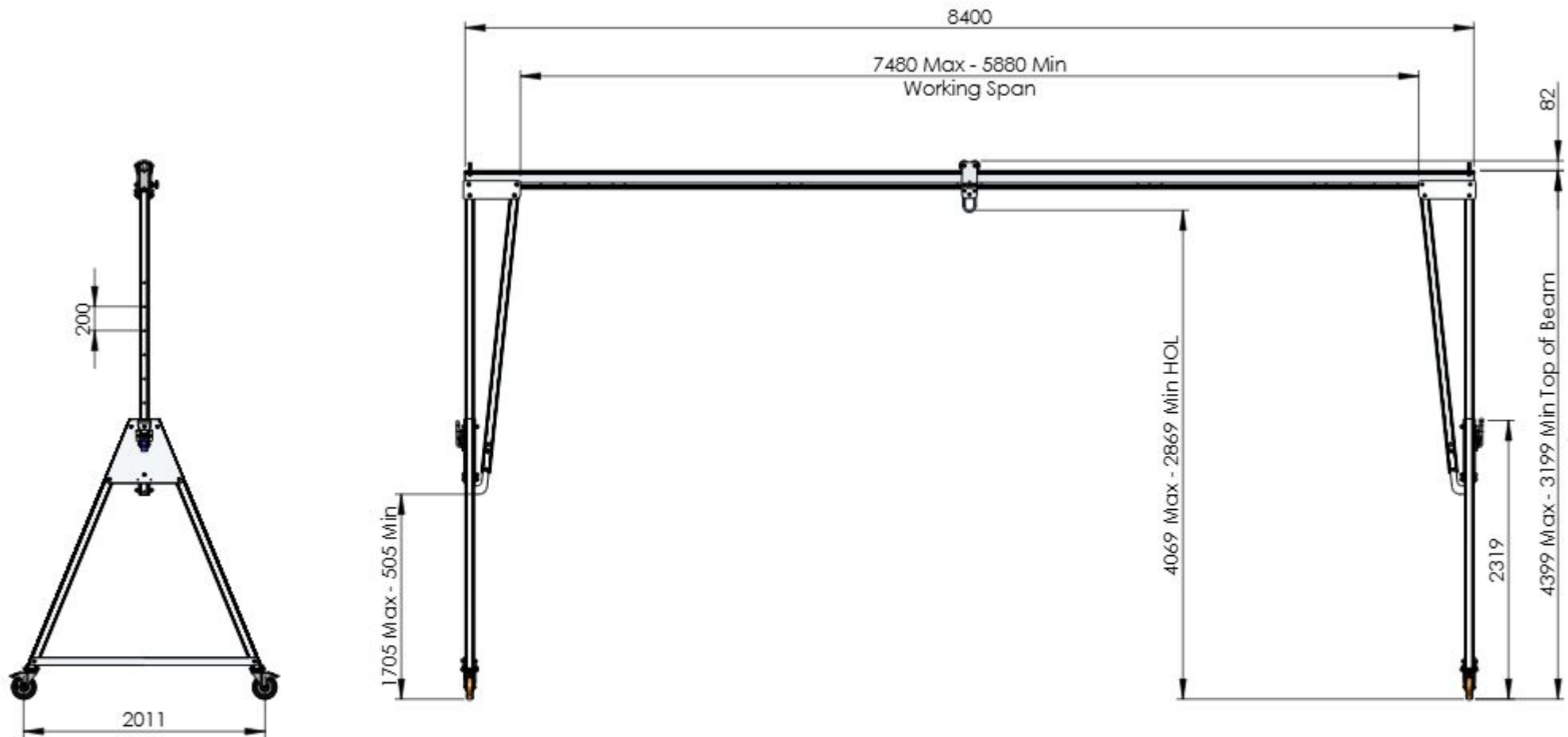
**PGSS01000T-6000A**

A4

Estimated Weight: 156kg

1:45

SHEET 2 OF 2



DO NOT SCALE DRAWING

REVISION

01



Reid Lifting Limited. Unit 1  
Wyeview, Newhouse Farm Ind. Est.,  
Chepstow, Monmouthshire.  
NP16 6UD, UK

Tel +44(0) 1291 620796  
Fax +44(0) 1291 626490

[www.reidlifting.com](http://www.reidlifting.com)

[enquiries@reidlifting.com](mailto:enquiries@reidlifting.com)

	NAME	DATE	FINISH:
DRAWN	SS	26/05/2021	Anodised
CHK'D			MATERIAL:
APPR'D	CM	10/03/2023	Aluminium Alloy

ALL COPYRIGHT AND DESIGN RIGHT SUBSISTING IN THIS DOCUMENT IS THE PROPERTY OF REID LIFTING LIMITED AND MAY NOT BE REPRODUCED WITHOUT REID LIFTING'S CONSENT. THIS DOCUMENT AND THE INFORMATION CONTAINED WITHIN IT IS CONFIDENTIAL AND MAY NOT BE DISCLOSED TO ANY THIRD PARTY NOR USED FOR ANY UNAUTHORISED PURPOSE WITHOUT REID LIFTING'S CONSENT

UNLESS OTHERWISE SPECIFIED:  
DIMENSIONS ARE IN MILLIMETERS

TITLE:

**General Arrangement of REID  
Lifting Porta-Gantry Size Tall  
8400mm Beam WLL1000kg**

DWG NO.

**PGSS01000T-8400B**

A4

Estimated Weight: 190kg

1:50

SHEET 1 OF 2

## General Specification

- Maximum rated capacity for goods lifting - 1000kg
- Maximum rated capacity for personnel lifting - 500kg
- Beam deflection at maximum rated capacity of 1000kg - between 110 - 120mm at centre of span
- Maximum castor surface pressure at full load - 24.22 Mpa
- Assembled gantry weight (excluding trolleys) - 190kg
- All welding to BS EN ISO 15614-2: 2005 by certified welders.
- For further details and assembly information refer to Operations and Maintenance Manual for Porta Gantry Product. (available at [www.reidlifting.com](http://www.reidlifting.com))

## Fall Protection Standards

- Certified to EN795:2012 Type B & supplied under PPE Regulation 2016/425
- Notified Body Witness tested to the requirements of PD CEN/TS16415:2013 for 3 persons
- Exceeds the requirements of IRATA ICOP & BS7985 (15kN MBL)

## Materials & Finishes

- Frame and beam - 6082 T6 Aluminium alloy. Anodized.
- Castors - Steel. Bright Zinc Plated.
- Castor Wheels & Rollers - Nylon & Polyurethane
- Fixings - Steel. Grade 12:9. Bright Zinc Plated.

Note: Master Link Trolleys shown in system as a reference



Approved

DO NOT SCALE DRAWING

REVISION **01**



Reid Lifting Limited. Unit 1  
Wyeview, Newhouse Farm Ind. Est.,  
Chepstow, Monmouthshire.  
NP16 6UD, UK

Tel +44(0)1291 620796  
Fax: +44(0)1291 626490

[www.reidlifting.com](http://www.reidlifting.com)

[enquiries@reidlifting.com](mailto:enquiries@reidlifting.com)

	NAME	DATE
DRAWN	SS	26/05/2021
CHK'D		
APP'VD	CM	10/03/2023

UNLESS OTHERWISE SPECIFIED:  
DIMENSIONS ARE IN MILLIMETERS

ALL COPYRIGHT AND DESIGN RIGHT SUBSISTING IN THIS DOCUMENT IS THE PROPERTY OF REID LIFTING LIMITED AND MAY NOT BE REPRODUCED WITHOUT REID LIFTING'S CONSENT. THIS DOCUMENT AND THE INFORMATION CONTAINED WITHIN IT IS CONFIDENTIAL AND MAY NOT BE DISCLOSED TO ANY THIRD PARTY NOR USED FOR ANY UNAUTHORISED PURPOSE WITHOUT REID LIFTING'S CONSENT



TITLE: **General Arrangement of REID Lifting Porta-Gantry Size Tall 8400mm Beam WLL1000kg**

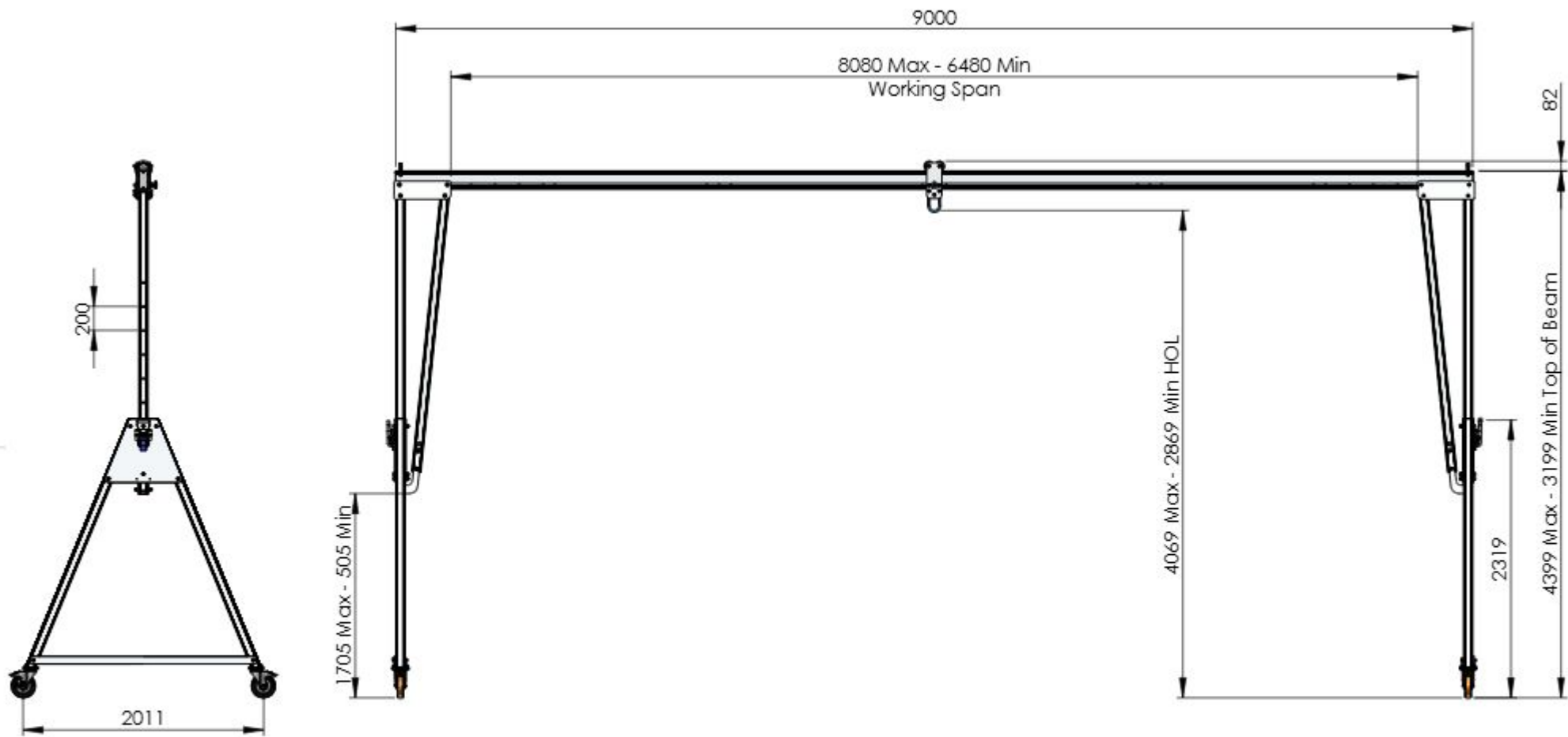
DWG NO. **PGSS01000T-8400B**

A4

Estimated Weight: 190kg

1:55

SHEET 2 OF 2



DO NOT SCALE DRAWING

REVISION **02**



Reid Lifting Limited. Unit 1  
Wyeview, Newhouse Farm Ind. Est.,  
Chepstow, Monmouthshire.  
NP16 6UD, UK

Tel +44(0) 1291 620796  
Fax +44(0) 1291 626490

[www.reidlifting.com](http://www.reidlifting.com)

[enquiries@reidlifting.com](mailto:enquiries@reidlifting.com)

	NAME	DATE	FINISH:
DRAWN	SS	26/05/2021	Anodised
CHK'D			MATERIAL:
APP'VD	CM	10/03/2023	Aluminium Alloy
<small>ALL COPYRIGHT AND DESIGN RIGHT SUBSISTING IN THIS DOCUMENT IS THE PROPERTY OF REID LIFTING LIMITED AND MAY NOT BE REPRODUCED WITHOUT REID LIFTING'S CONSENT. THIS DOCUMENT AND THE INFORMATION CONTAINED WITHIN IT IS CONFIDENTIAL AND MAY NOT BE DISCLOSED TO ANY THIRD PARTY NOR USED FOR ANY UNAUTHORISED PURPOSE WITHOUT REID LIFTING'S CONSENT</small>			
<small>UNLESS OTHERWISE SPECIFIED: DIMENSIONS ARE IN MILLIMETERS</small>			



TITLE: **General Arrangement of REID Lifting Porta-Gantry Size Tall 9000mm Beam WLL1000kg**

DWG NO. **PGSS01000T-9000B** A4  
Estimated Weight: 198kg 1:50 SHEET 1 OF 2

## General Specification

- Maximum rated capacity for goods lifting - 1000kg
- Maximum rated capacity for personnel lifting - 500kg
- Beam deflection at maximum rated capacity of 1000kg - between 125 - 140mm at centre of span
- Maximum castor surface pressure at full load - 24.28 Mpa
- Assembled gantry weight (excluding trolleys) - 196kg
- All welding to BS EN ISO 15614-2: 2005 by certified welders.
- For further details and assembly information refer to Operations and Maintenance Manual for Porta Gantry Product. (available at [www.reidlifting.com](http://www.reidlifting.com))

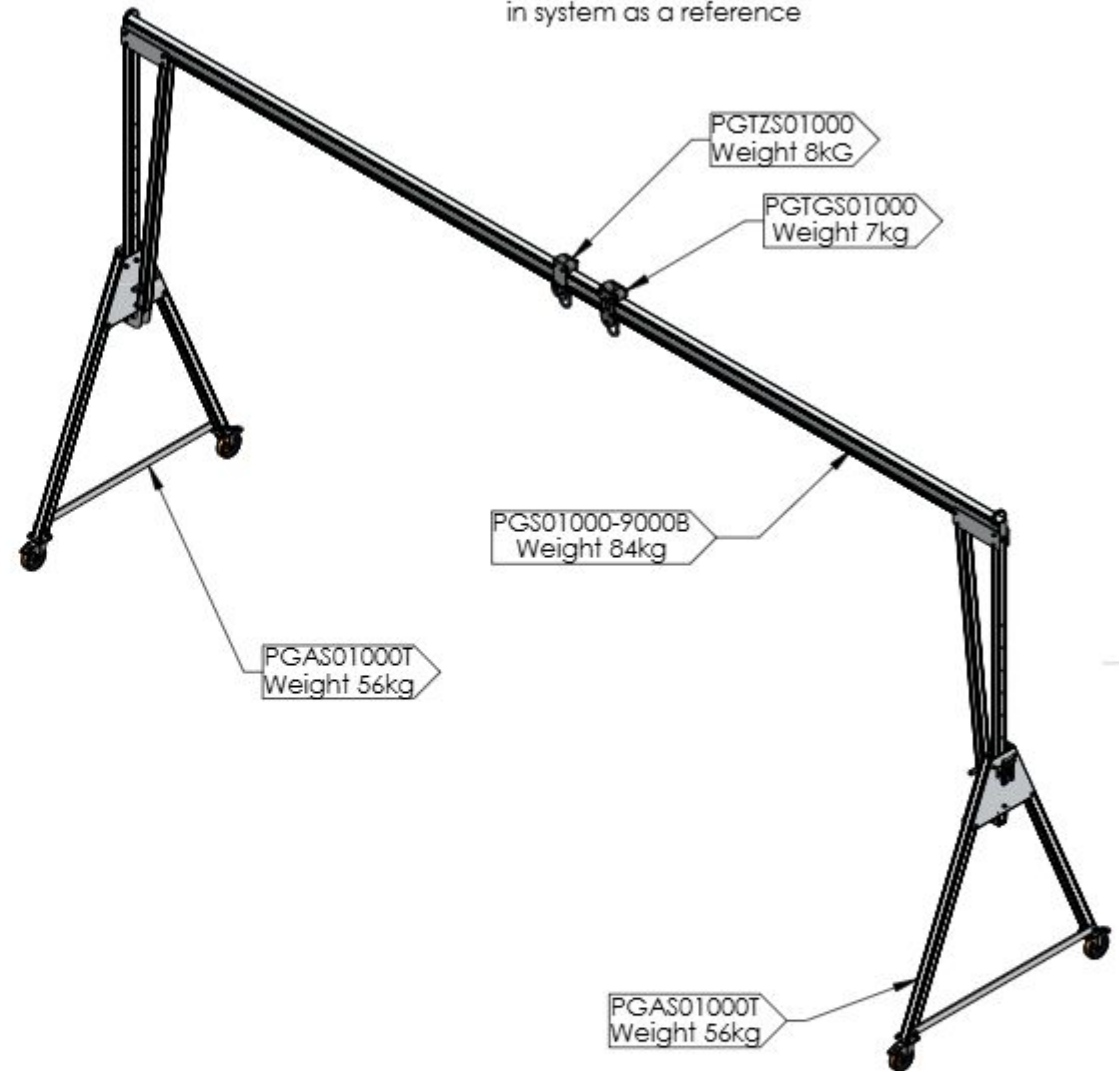
## Fall Protection Standards

- Certified to EN795:2012 Type B & supplied under PPE Regulation 2016/425
- Notified Body Witness tested to the requirements of PD CEN/TS16415:2013 for 3 persons
- Exceeds the requirements of IRATA ICOP & BS7985 (15kN MBL)

## Materials & Finishes

- Frame and beam - 6082 T6 Aluminium alloy. Anodized.
- Castors - Steel. Bright Zinc Plated.
- Castor Wheels & Rollers - Nylon & Polyurethane
- Fixings - Steel. Grade 12:9. Bright Zinc Plated.

Note: Master Link Trolleys shown in system as a reference



Approved

DO NOT SCALE DRAWING

REVISION **02**



Reid Lifting Limited. Unit 1  
Wyeview, Newhouse Farm Ind. Est.,  
Chepstow, Monmouthshire.  
NP16 6UD, UK

Tel +44(0)1291 620796  
Fax: +44(0)1291 626490

[www.reidlifting.com](http://www.reidlifting.com)

[enquiries@reidlifting.com](mailto:enquiries@reidlifting.com)

	NAME	DATE
DRAWN	SS	26/05/2021
CHK'D		
APP'VD	CM	10/03/2023

UNLESS OTHERWISE SPECIFIED:  
DIMENSIONS ARE IN MILLIMETERS

ALL COPYRIGHT AND DESIGN RIGHT SUBSISTING IN THIS DOCUMENT IS THE PROPERTY OF REID LIFTING LIMITED AND MAY NOT BE REPRODUCED WITHOUT REID LIFTING'S CONSENT. THIS DOCUMENT AND THE INFORMATION CONTAINED WITHIN IT IS CONFIDENTIAL AND MAY NOT BE DISCLOSED TO ANY THIRD PARTY NOR USED FOR ANY UNAUTHORIZED PURPOSE WITHOUT REID LIFTING'S CONSENT



TITLE: **General Arrangement of REID Lifting Porta-Gantry Size Tall 9000mm Beam WLL1000kg**

DWG NO.

**PGSS01000T-9000B**

A4

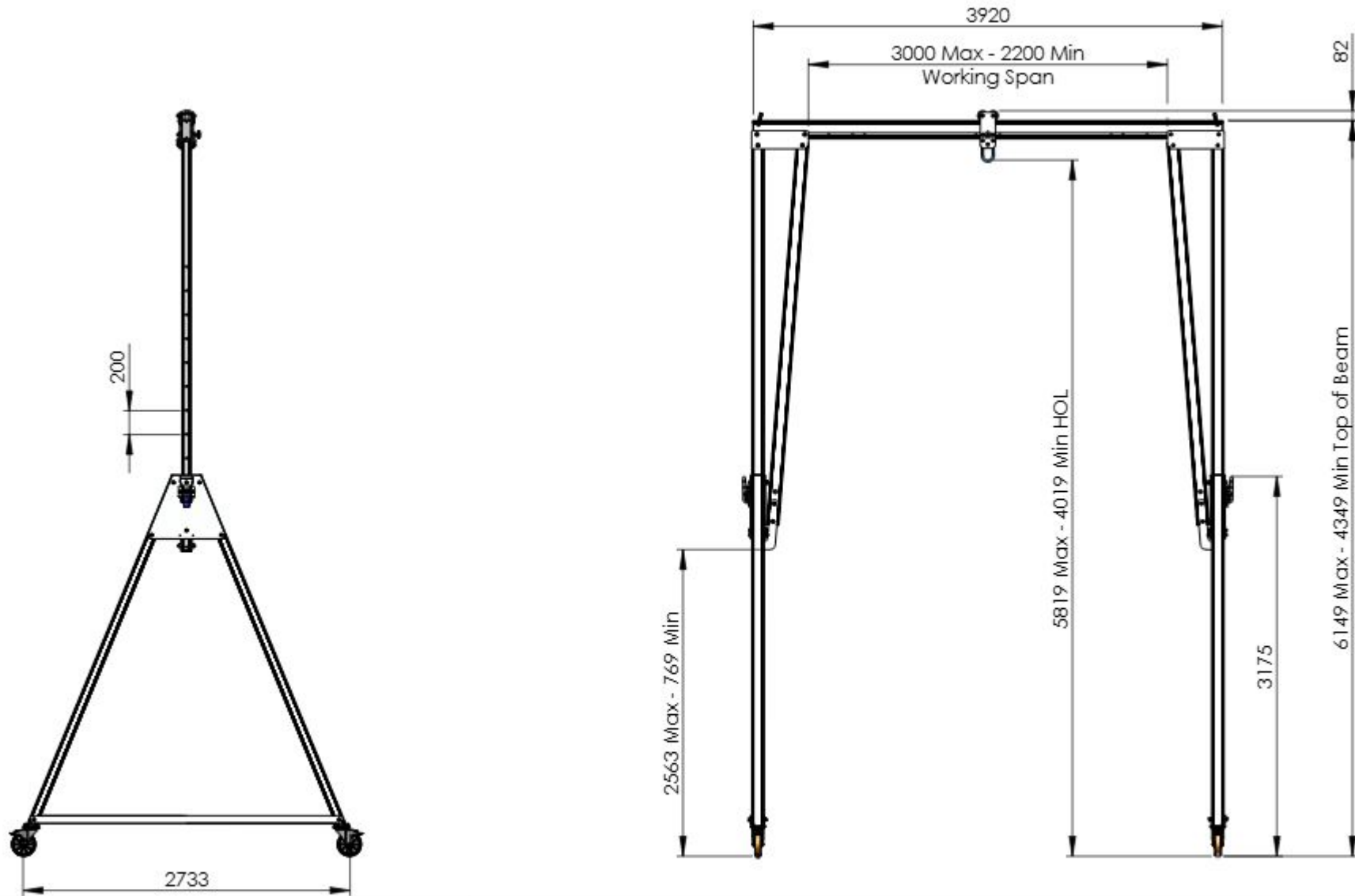
Estimated Weight: 196kg

1:55

SHEET 2 OF 2



To ensure the stability of the structure, the working span of the beam must be equal to or greater than the distance between the castors on the A-frame



DO NOT SCALE DRAWING

REVISION **02**



Reid Lifting Limited. Unit 1  
Wyeview, Newhouse Farm Ind. Est.,  
Chepstow, Monmouthshire.  
NP16 6UD, UK

Tel +44(0) 1291 620796  
Fax +44(0) 1291 626490

[www.reidlifting.com](http://www.reidlifting.com)

[enquiries@reidlifting.com](mailto:enquiries@reidlifting.com)

	NAME	DATE	FINISH:
DRAWN	SS	14/06/2021	Anodised
CHK'D			MATERIAL:
APPR'D	CM	10/03/2023	Aluminium Alloy
<small>ALL COPYRIGHT AND DESIGN RIGHT SUBSISTING IN THIS DOCUMENT IS THE PROPERTY OF REID LIFTING LIMITED AND MAY NOT BE REPRODUCED WITHOUT REID LIFTING'S CONSENT. THIS DOCUMENT AND THE INFORMATION CONTAINED WITHIN IT IS CONFIDENTIAL AND MAY NOT BE DISCLOSED TO ANY THIRD PARTY NOR USED FOR ANY UNAUTHORISED PURPOSE WITHOUT REID LIFTING'S CONSENT</small>			
<small>UNLESS OTHERWISE SPECIFIED: DIMENSIONS ARE IN MILLIMETERS</small>			



TITLE: **General Arrangement of REID Lifting Porta-Gantry size TC1 3920mm Beam WLL1000kg**

DWG NO.	<b>PGSS01000TC1-3920A</b>	A4
Estimated Weight:	233kg	1:50
		SHEET 1 OF 2

## General Specification

- Maximum rated capacity for goods lifting - 1000kg
- Maximum rated capacity for personnel lifting - 500kg
- Beam deflection at maximum rated capacity of 1000kg - between 15-20 mm at centre of span
- Maximum castor surface pressure at full load - 24.69 MPa
- Assembled gantry weight (excluding trolleys) - 233kg
- All welding to BS EN ISO 15614-2: 2005 by certified welders.
- For further details and assembly information refer to Operations and Maintenance Manual for Porta Gantry Product. (available at [www.reidlifting.com](http://www.reidlifting.com))

## Fall Protection Standards

- Certified to EN795:2012 Type B & supplied under PPE Regulation 2016/425
- Notified Body Witness tested to the requirements of PD CEN/TS16415:2013 for 2 persons
- Exceeds the requirements of IRATA ICOP & BS7985 (15kN MBL)
- Tested to and meets the requirements of ANSI Z359.18.2017 for 2 persons.

## Materials & Finishes

- Frame and beam - 6082 T6 Aluminium alloy. Anodised.
- Castors - Steel. Bright Zinc Plated.
- Castor Wheels & Rollers - Aluminium & Polyurethane
- Fixings - Steel. Grade 12.9. Bright Zinc Plated.

Note: Master Link Trolleys shown in system as a reference



Approved

DO NOT SCALE DRAWING

REVISION **02**

**REID**  
**LIFTING**

[www.reidlifting.com](http://www.reidlifting.com)

Reid Lifting Limited. Unit 1  
Wyeview, Newhouse Farm Ind. Est.,  
Chepstow, Monmouthshire.  
NP16 6UD, UK

Tel +44(0)1291 620796  
Fax: +44(0)1291 626490

[enquiries@reidlifting.com](mailto:enquiries@reidlifting.com)

	NAME	DATE
DRAWN	SS	14/06/2021
CHK'D		
APP'VD	CM	10/03/2023

UNLESS OTHERWISE SPECIFIED:  
DIMENSIONS ARE IN MILLIMETERS

ALL COPYRIGHT AND DESIGN RIGHT SUBSISTING IN THIS DOCUMENT IS THE PROPERTY OF REID LIFTING LIMITED AND MAY NOT BE REPRODUCED WITHOUT REID LIFTING'S CONSENT. THIS DOCUMENT AND THE INFORMATION CONTAINED WITHIN IT IS CONFIDENTIAL AND MAY NOT BE DISCLOSED TO ANY THIRD PARTY NOR USED FOR ANY UNAUTHORISED PURPOSE WITHOUT REID LIFTING'S CONSENT



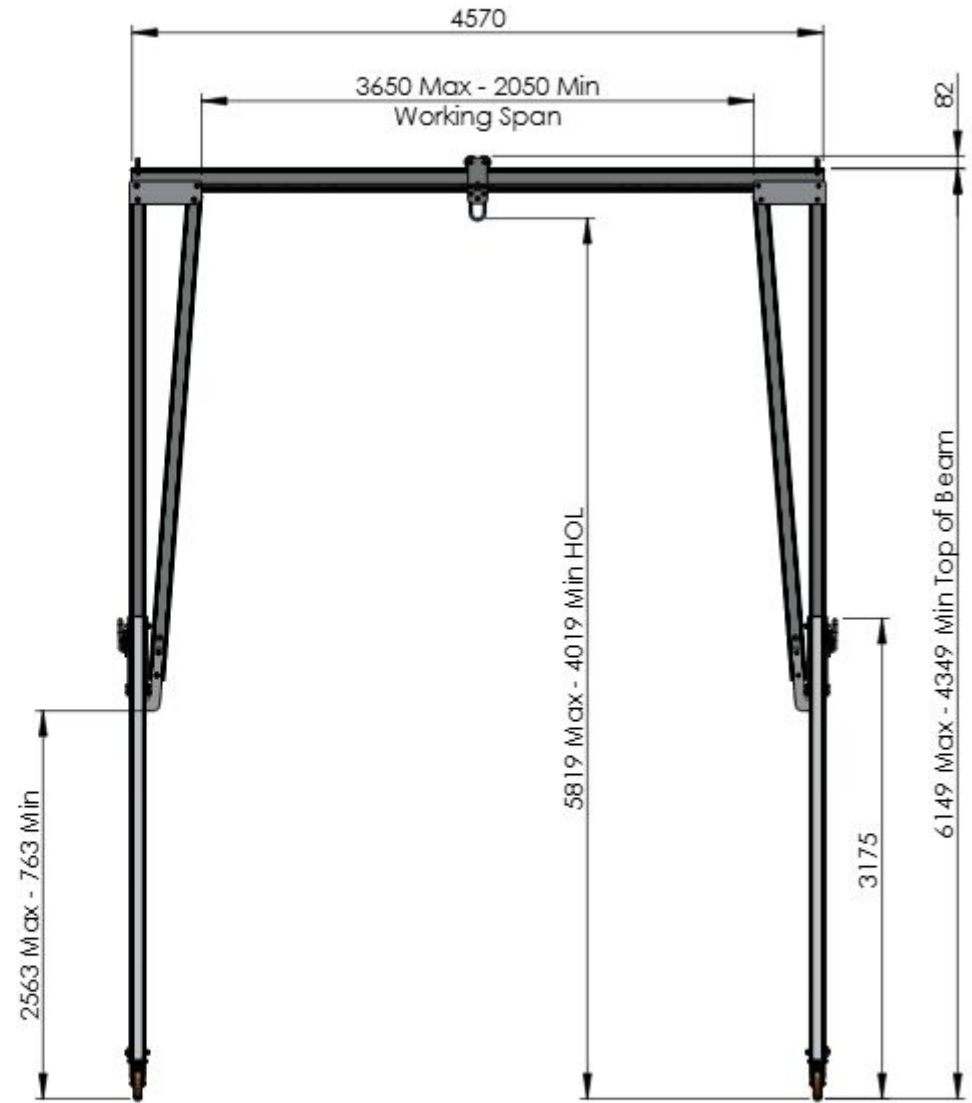
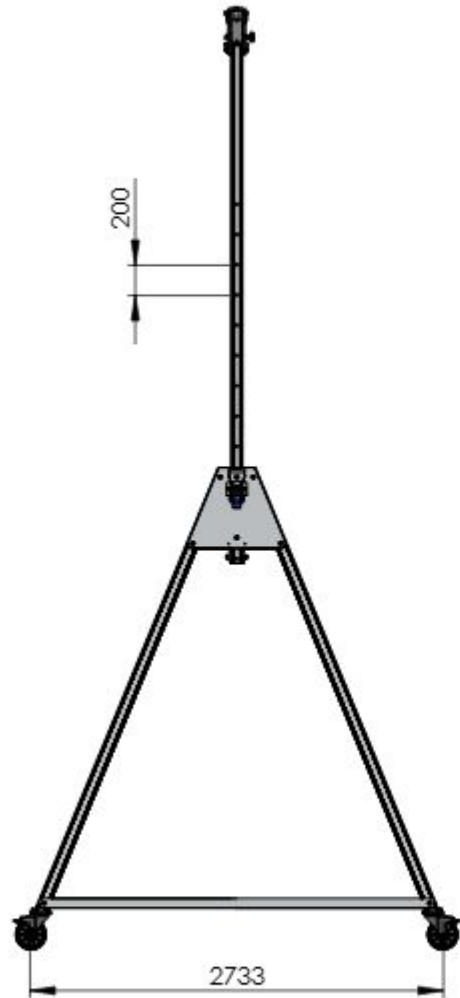
TITLE: **General Arrangement of REID Lifting Porta-Gantry size TC1 3920mm Beam WLL1000kg**

DWG NO. **PGSS01000TC1-3920A** **A4**

Estimated Weight: 233kg 1:55 SHEET 2 OF 2



To ensure the stability of the structure, the working span of the beam must be equal to or greater than the distance between castor on the A-frame



DO NOT SCALE DRAWING

REVISION 03



Reid Lifting Limited. Unit 1  
Wyeview, Newhouse Farm Ind. Est.,  
Chepstow, Monmouthshire.  
NP16 6UD, UK  
Tel +44(0) 1291 620796  
Fax +44(0) 1291 626490

[www.reidlifting.com](http://www.reidlifting.com)

[enquiries@reidlifting.com](mailto:enquiries@reidlifting.com)

	NAME	DATE	FINISH:
DRAWN	AB	03/11/2020	Anodised
CHK'D			MATERIAL:
APP'VD	CM	10/03/2023	Aluminium Alloy
<small>ALL COPYRIGHT AND DESIGN RIGHT SUBSISTING IN THIS DOCUMENT IS THE PROPERTY OF REID LIFTING LIMITED AND MAY NOT BE REPRODUCED WITHOUT REID LIFTING'S CONSENT. THIS DOCUMENT AND THE INFORMATION CONTAINED WITHIN IT IS CONFIDENTIAL AND MAY NOT BE DISCLOSED TO ANY THIRD PARTY NOR USED FOR ANY UNAUTHORISED PURPOSE WITHOUT REID LIFTING'S CONSENT</small>			
<small>UNLESS OTHERWISE SPECIFIED: DIMENSIONS ARE IN MILLIMETERS</small>			



TITLE: General Arrangement of Reid Lifting Porta-Gantry Type TC1 4570 Beam WLL1000kg

DWG NO.	PGSS01000-4570A	A4
Estimated Weight:	237kg	1:50
		SHEET 1 OF 2

## General Specification

- Maximum rated capacity for goods lifting - 1000kg
- Maximum rated capacity for personnel lifting - 500kg
- Beam deflection at maximum rated capacity of 1000kg - between 20-30 mm at centre of span
- Maximum castor surface pressure at full load - 24.74 MPa
- Assembled gantry weight (excluding trolleys) - 238kg
- All welding to BS EN ISO 15614-2: 2005 by certified welders.
- For further details and assembly information refer to Operations and Maintenance Manual for Porta Gantry Product. (available at [www.reidlifting.com](http://www.reidlifting.com))

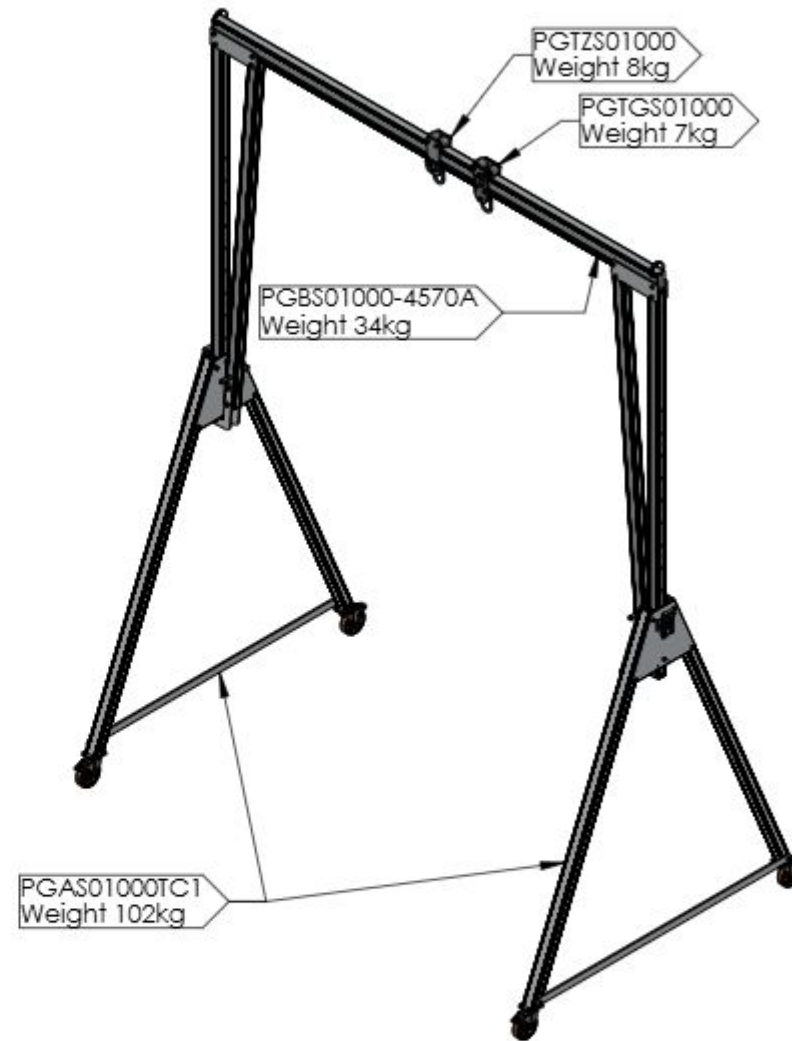
## Fall Protection Standards

- Certified to EN795:2012 Type B & supplied under PPE Regulation 2016/425
- Notified Body Witness tested to the requirements of PD CEN/TS16415:2013 for 3 persons
- Exceeds the requirements of IRATA ICOP & BS7985 (15kN MBL)
- Tested to and meets the requirements of ANSI Z359.18.2017 for 2 persons.

## Materials & Finishes

- Frame and beam - 6082 T6 Aluminium alloy. Anodised.
- Castors - Steel. Bright Zinc Plated.
- Castor Wheels & Rollers - Aluminium & Polyurethane
- Fixings - Steel. Grade 12.9. Bright Zinc Plated.

Note: Master Link Trolleys shown in system as a reference



Approved

DO NOT SCALE DRAWING

REVISION 03



Reid Lifting Limited. Unit 1  
Wyeview, Newhouse Farm Ind. Est.,  
Chepstow, Monmouthshire.  
NP16 6UD, UK  
Tel +44(0)1291 620796  
Fax: +44(0)1291 626490

[www.reidlifting.com](http://www.reidlifting.com)

[enquiries@reidlifting.com](mailto:enquiries@reidlifting.com)

	NAME	DATE
DRAWN	AB	03/11/2020
CHK'D		
APPR'D	CM	10/03/2023

UNLESS OTHERWISE SPECIFIED:  
DIMENSIONS ARE IN MILLIMETERS

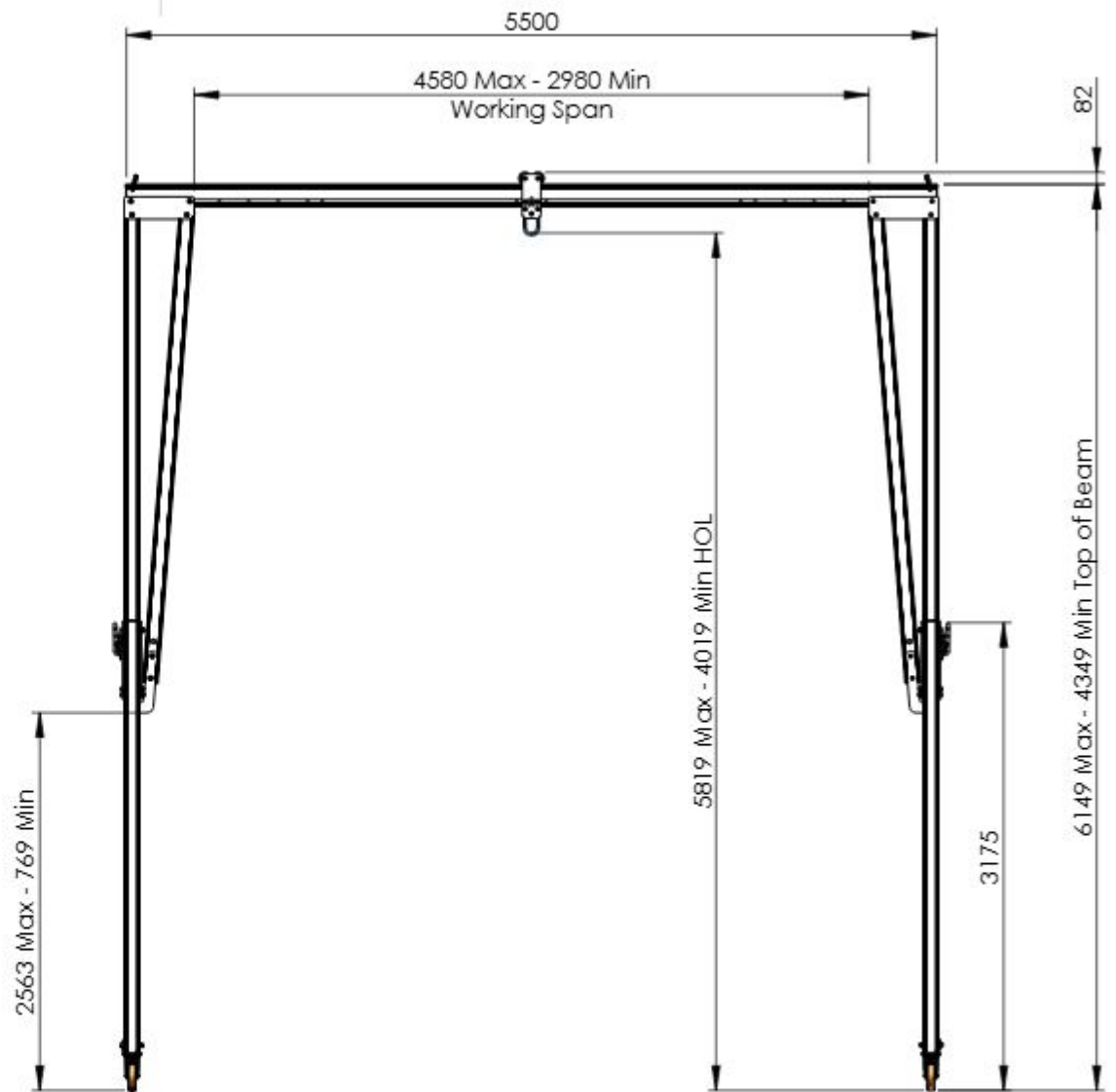
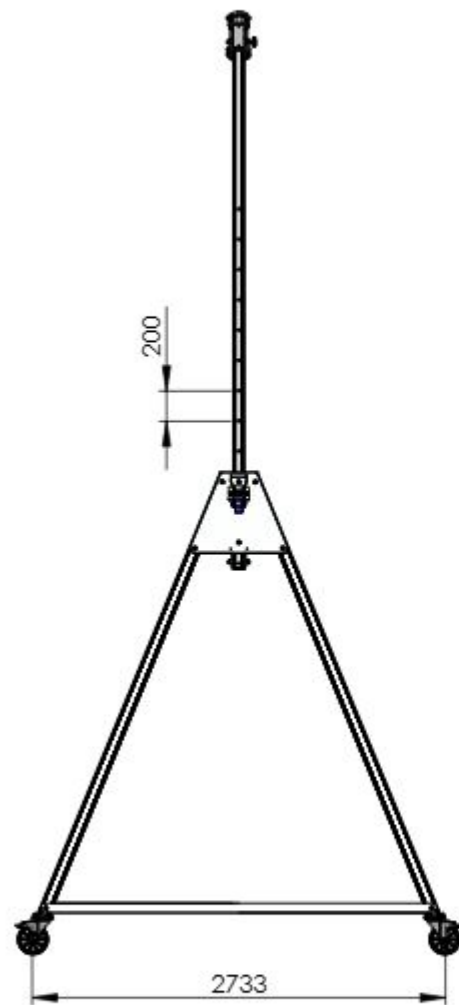
ALL COPYRIGHT AND DESIGN RIGHT SUBSISTING IN THIS DOCUMENT IS THE PROPERTY OF REID LIFTING LIMITED AND MAY NOT BE REPRODUCED WITHOUT REID LIFTING'S CONSENT. THIS DOCUMENT AND THE INFORMATION CONTAINED WITHIN IT IS CONFIDENTIAL AND MAY NOT BE DISCLOSED TO ANY THIRD PARTY NOR USED FOR ANY UNAUTHORIZED PURPOSE WITHOUT REID LIFTING'S CONSENT



TITLE: General Arrangement of Reid Lifting Porta-Gantry Type TC1 4570 Beam WLL1000kg

DWG NO. PGSS01000-4570A A4

Estimated Weight: 238kg 1:55 SHEET 2 OF 2



DO NOT SCALE DRAWING

REVISION **02**



Reid Lifting Limited. Unit 1  
Wyeview, Newhouse Farm Ind. Est.,  
Chepstow, Monmouthshire.  
NP16 6UD, UK

Tel +44(0) 1291 620796  
Fax +44(0) 1291 626490

[www.reidlifting.com](http://www.reidlifting.com)

[enquiries@reidlifting.com](mailto:enquiries@reidlifting.com)

	NAME	DATE	FINISH:
DRAWN	SS	14/06/2021	Anodised
CHK'D			MATERIAL:
APPR'D	CM	10/03/2023	Aluminium Alloy
<small>ALL COPYRIGHT AND DESIGN RIGHT SUBSISTING IN THIS DOCUMENT IS THE PROPERTY OF REID LIFTING LIMITED AND MAY NOT BE REPRODUCED WITHOUT REID LIFTING'S CONSENT. THIS DOCUMENT AND THE INFORMATION CONTAINED WITHIN IT IS CONFIDENTIAL AND MAY NOT BE DISCLOSED TO ANY THIRD PARTY NOR USED FOR ANY UNAUTHORISED PURPOSE WITHOUT REID LIFTING'S CONSENT</small>			
<small>UNLESS OTHERWISE SPECIFIED: DIMENSIONS ARE IN MILLIMETERS</small>			



TITLE: **General Arrangement of REID  
Lifting Porta-Gantry size TC1  
5500mm Beam WLL1000kg**

DWG NO. **PGSS01000TC1-5500A** A4

Estimated Weight: 244kg 1:50 SHEET 1 OF 2

## General Specification

- Maximum rated capacity for goods lifting - 1000kg
- Maximum rated capacity for personnel lifting - 500kg
- Beam deflection at maximum rated capacity of 1000kg - between 42-52 mm at centre of span
- Maximum castor surface pressure at full load - 24.81 MPa
- Assembled gantry weight (excluding trolleys) - 245kg
- All welding to BS EN ISO 15614-2: 2005 by certified welders.
- For further details and assembly information refer to Operations and Maintenance Manual for Porta Gantry Product. (available at [www.reidlifting.com](http://www.reidlifting.com))

## Fall Protection Standards

- Certified to EN795:2012 Type B & supplied under PPE Regulation 2016/425
- Notified Body Witness tested to the requirements of PD CEN/TS16415:2013 for 2 persons
- Exceeds the requirements of IRATA ICOP & BS7985 (15kN MBL)

## Materials & Finishes

- Frame and beam - 6082 T6 Aluminium alloy. Anodised.
- Castors - Steel. Bright Zinc Plated.
- Castor Wheels & Rollers - Aluminium & Polyurethane
- Fixings - Steel. Grade 12:9. Bright Zinc Plated.

Note: Master Link Trolleys shown in system as a reference



Approved

DO NOT SCALE DRAWING

REVISION **02**

**REID**  
**LIFTING**

[www.reidlifting.com](http://www.reidlifting.com)

Reid Lifting Limited. Unit 1  
Wyeview, Newhouse Farm Ind. Est.,  
Chepstow, Monmouthshire.  
NP16 6UD, UK

Tel +44(0)1291 620796  
Fax: +44(0)1291 626490

[enquiries@reidlifting.com](mailto:enquiries@reidlifting.com)

	NAME	DATE
DRAWN	SS	14/06/2021
CHK'D		
APPROV'D	CM	10/03/2023

UNLESS OTHERWISE SPECIFIED:  
DIMENSIONS ARE IN MILLIMETERS

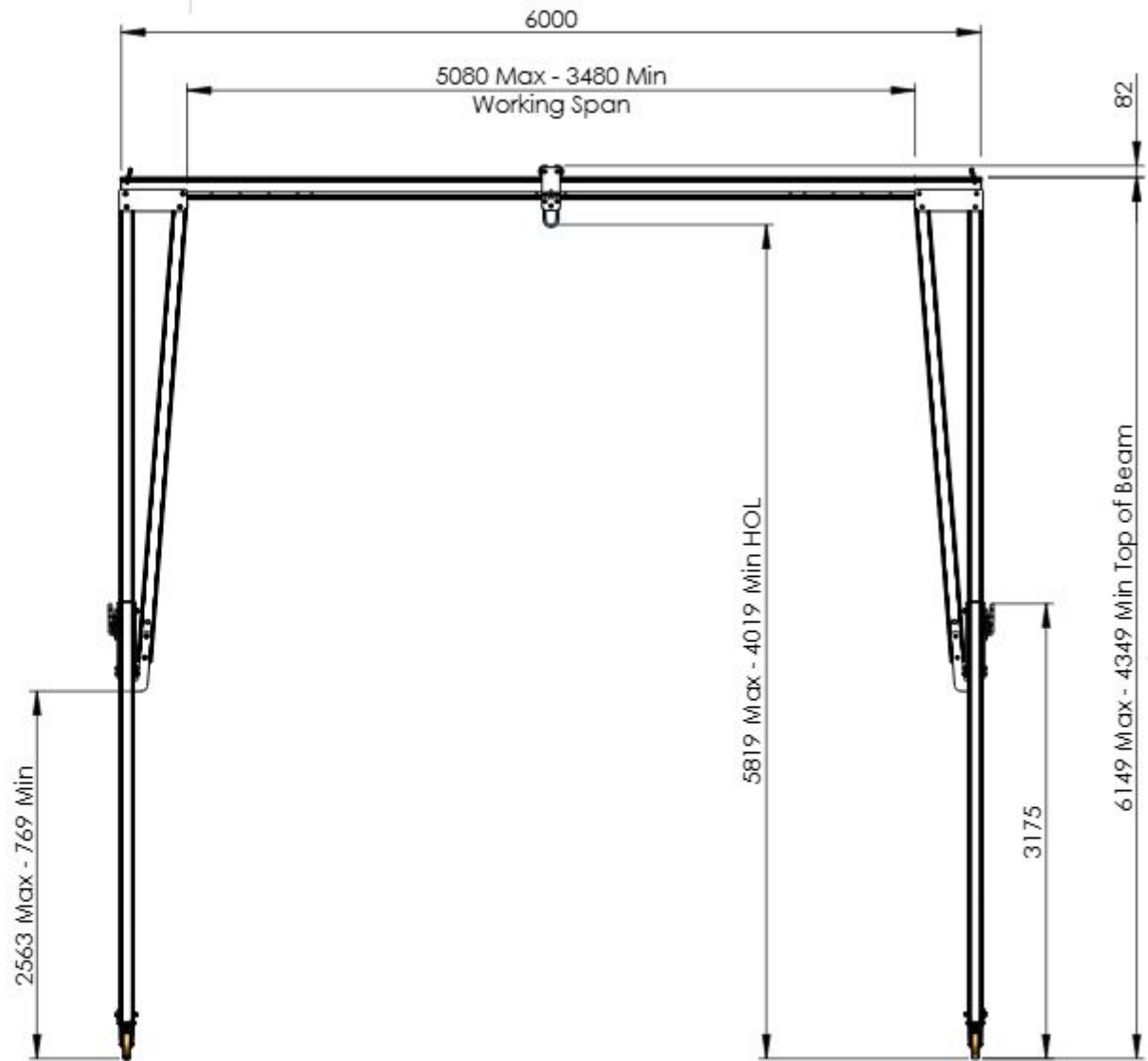
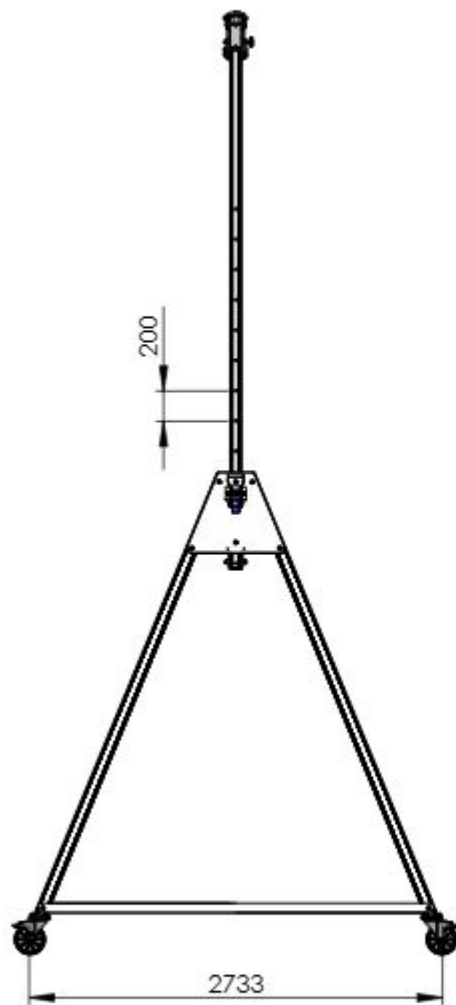
ALL COPYRIGHT AND DESIGN RIGHT SUBSISTING IN THIS DOCUMENT IS THE PROPERTY OF REID LIFTING LIMITED AND MAY NOT BE REPRODUCED WITHOUT REID LIFTING'S CONSENT. THIS DOCUMENT AND THE INFORMATION CONTAINED WITHIN IT IS CONFIDENTIAL AND MAY NOT BE DISCLOSED TO ANY THIRD PARTY NOR USED FOR ANY UNAUTHORISED PURPOSE WITHOUT REID LIFTING'S CONSENT



TITLE: **General Arrangement of REID Lifting Porta-Gantry size TC1 5500mm Beam WLL1000kg**

DWG NO. **PGSS01000TC1-5500A** **A4**

Estimated Weight: 245kg 1:55 SHEET 2 OF 2



DO NOT SCALE DRAWING

REVISION **02**



Reid Lifting Limited. Unit 1  
Wyeview, Newhouse Farm Ind. Est.,  
Chepstow, Monmouthshire.  
NP16 6UD, UK

Tel +44(0) 1291 620796  
Fax +44(0) 1291 626490

[www.reidlifting.com](http://www.reidlifting.com)

[enquiries@reidlifting.com](mailto:enquiries@reidlifting.com)

	NAME	DATE	FINISH:
DRAWN	SS	14/06/2021	Anodised
CHK'D			MATERIAL:
APPR'D	CM	10/03/2023	Aluminium Alloy

ALL COPYRIGHT AND DESIGN RIGHT SUBSISTING IN THIS DOCUMENT IS THE PROPERTY OF REID LIFTING LIMITED AND MAY NOT BE REPRODUCED WITHOUT REID LIFTING'S CONSENT. THIS DOCUMENT AND THE INFORMATION CONTAINED WITHIN IT IS CONFIDENTIAL AND MAY NOT BE DISCLOSED TO ANY THIRD PARTY NOR USED FOR ANY UNAUTHORISED PURPOSE WITHOUT REID LIFTING'S CONSENT

UNLESS OTHERWISE SPECIFIED:  
DIMENSIONS ARE IN MILLIMETERS



TITLE: **General Arrangement of REID Lifting Porta-Gantry size TC1 6000mm Beam WLL1000kg**

DWG NO. **PGSS01000TC1-6000A** A4

Estimated Weight: 248kg 1:50 SHEET 1 OF 2

## General Specification

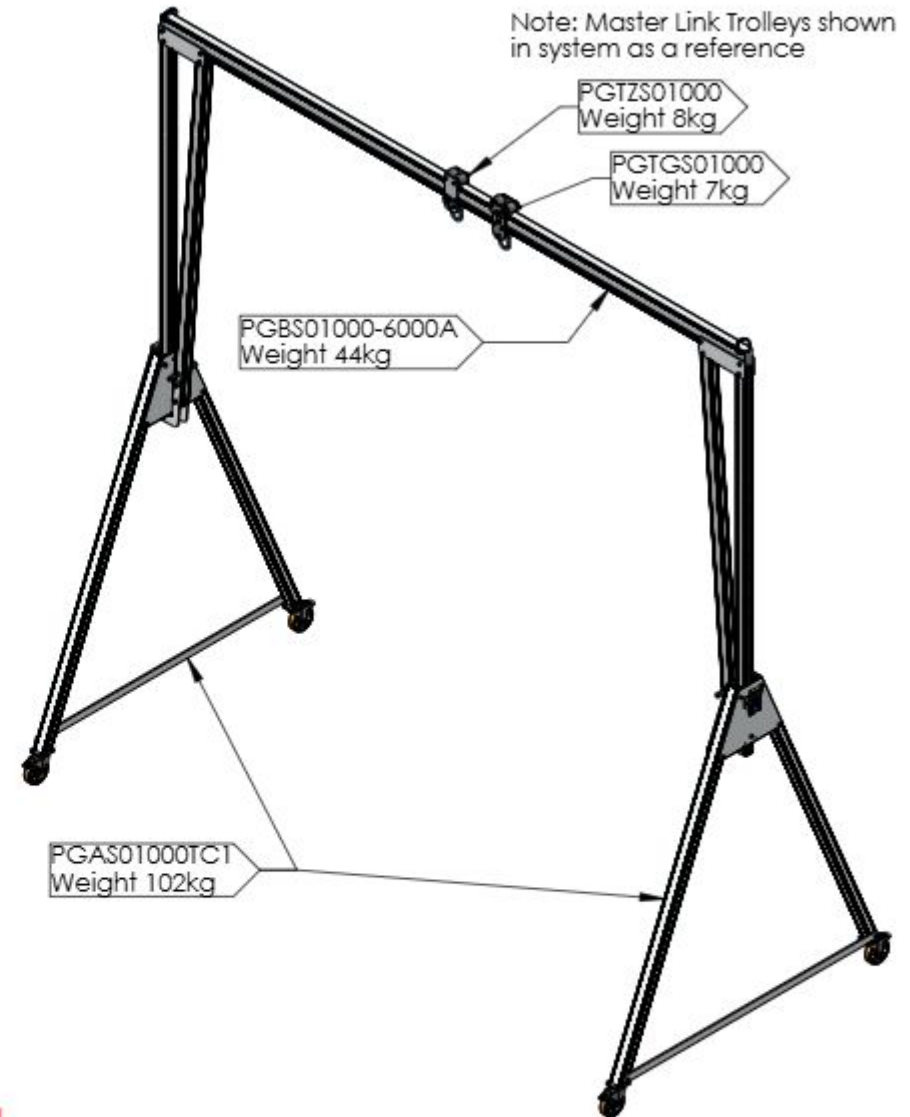
- Maximum rated capacity for goods lifting - 1000kg
- Maximum rated capacity for personnel lifting - 500kg
- Beam deflection at maximum rated capacity of 1000kg - between 45-55 mm at centre of span
- Maximum castor surface pressure at full load - 24.85 MPa
- Assembled gantry weight (excluding trolleys) - 248kg
- All welding to BS EN ISO 15614-2: 2005 by certified welders.
- For further details and assembly information refer to Operations and Maintenance Manual for Porta Gantry Product. (available at [www.reidlifting.com](http://www.reidlifting.com))

## Fall Protection Standards

- Certified to EN795:2012 Type B & supplied under PPE Regulation 2016/425
- Notified Body Witness tested to the requirements of PD CEN/TS16415:2013 for 2 persons
- Exceeds the requirements of IRATA ICOP & BS7985 (15kN MBL)

## Materials & Finishes

- Frame and beam - 6082 T6 Aluminium alloy. Anodised.
- Castors - Steel. Bright Zinc Plated.
- Castor Wheels & Rollers - Aluminium & Polyurethane
- Fixings - Steel. Grade 12:9. Bright Zinc Plated.



Approved

DO NOT SCALE DRAWING

REVISION **02**



Reid Lifting Limited. Unit 1  
Wyeview, Newhouse Farm Ind. Est.,  
Chepstow, Monmouthshire.  
NP16 6UD, UK

Tel +44(0)1291 620796  
Fax: +44(0)1291 626490

[www.reidlifting.com](http://www.reidlifting.com)

[enquiries@reidlifting.com](mailto:enquiries@reidlifting.com)

	NAME	DATE
DRAWN	SS	14/06/2021
CHK'D		
APP'VD	CM	10/03/2023

UNLESS OTHERWISE SPECIFIED:  
DIMENSIONS ARE IN MILLIMETERS

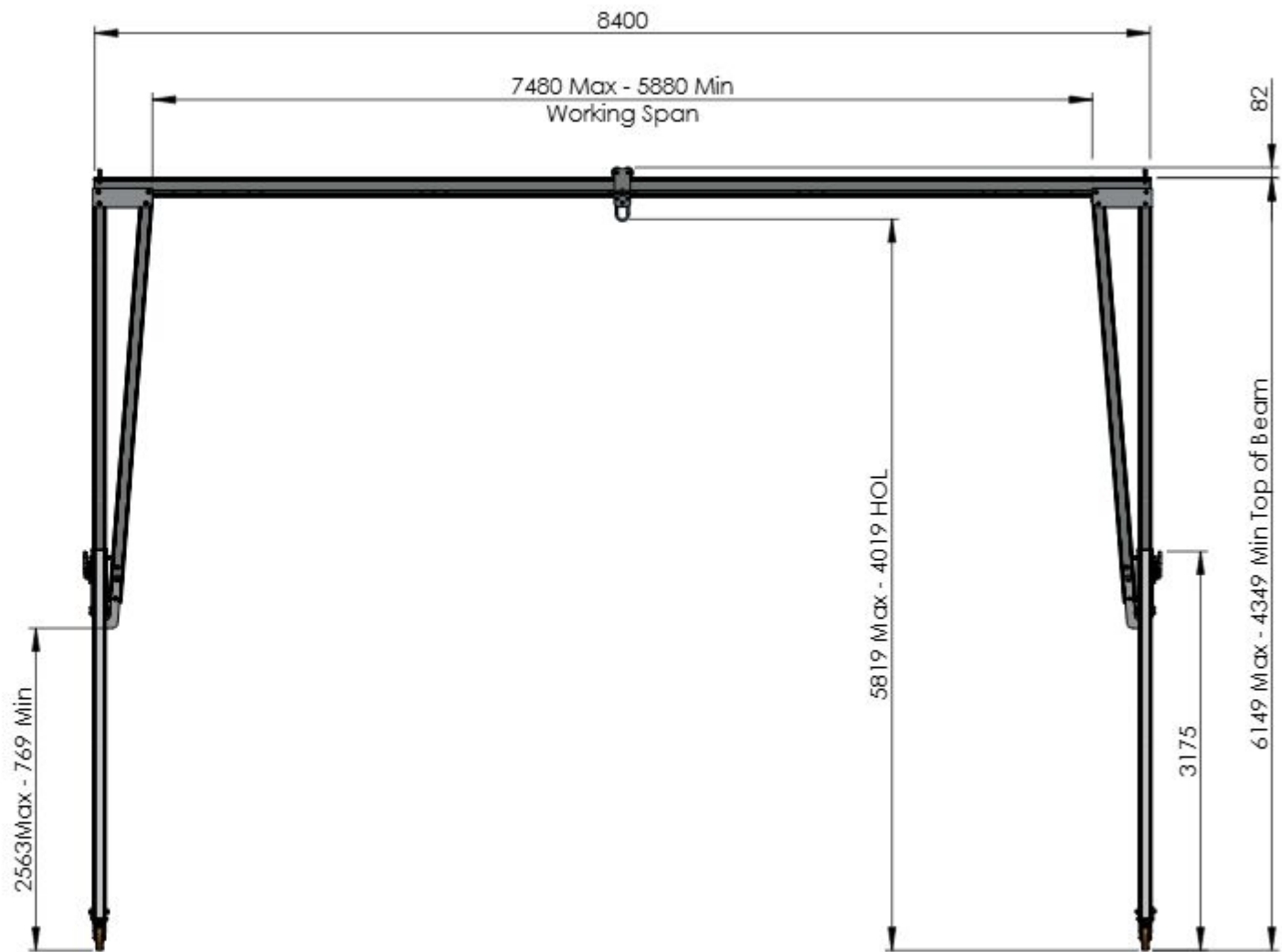
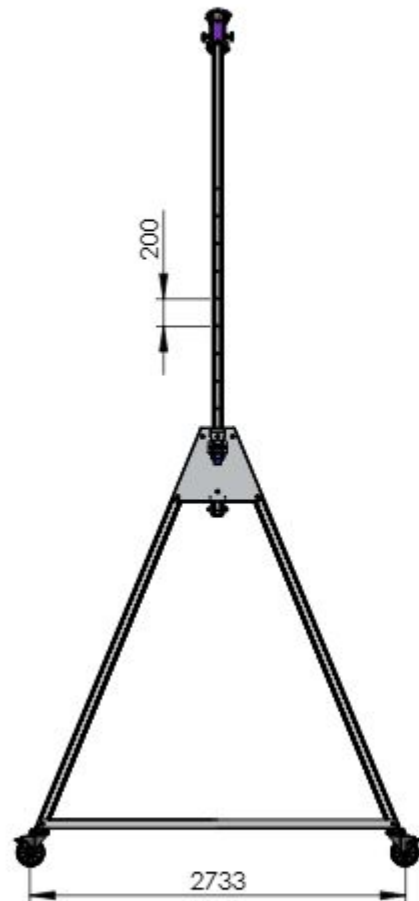
ALL COPYRIGHT AND DESIGN RIGHT SUBSISTING IN THIS DOCUMENT IS THE PROPERTY OF REID LIFTING LIMITED AND MAY NOT BE REPRODUCED WITHOUT REID LIFTING'S CONSENT. THIS DOCUMENT AND THE INFORMATION CONTAINED WITHIN IT IS CONFIDENTIAL AND MAY NOT BE DISCLOSED TO ANY THIRD PARTY NOR USED FOR ANY UNAUTHORISED PURPOSE WITHOUT REID LIFTING'S CONSENT



TITLE: **General Arrangement of REID Lifting Porta-Gantry size TC1 6000mm Beam WLL1000kg**

DWG NO. **PGSS01000TC1-6000A** A4

Estimated Weight: 248kg 1:55 SHEET 2 OF 2



DO NOT SCALE DRAWING

REVISION **02**



Reid Lifting Limited. Unit 1  
Wyeview, Newhouse Farm Ind. Est.,  
Chepstow, Monmouthshire.  
NP16 6UD, UK

Tel +44(0) 1291 620796  
Fax +44(0) 1291 626490

[www.reidlifting.com](http://www.reidlifting.com)

[enquiries@reidlifting.com](mailto:enquiries@reidlifting.com)

	NAME	DATE	FINISH:
DRAWN	SS	14/06/2021	Anodised
CHK'D			MATERIAL:
APP'VD	CM	10/03/2023	Aluminium Alloy
<small>ALL COPYRIGHT AND DESIGN RIGHT SUBSISTING IN THIS DOCUMENT IS THE PROPERTY OF REID LIFTING LIMITED AND MAY NOT BE REPRODUCED WITHOUT REID LIFTING'S CONSENT. THIS DOCUMENT AND THE INFORMATION CONTAINED WITHIN IT IS CONFIDENTIAL AND MAY NOT BE DISCLOSED TO ANY THIRD PARTY NOR USED FOR ANY UNAUTHORISED PURPOSE WITHOUT REID LIFTING'S CONSENT</small>			
<small>UNLESS OTHERWISE SPECIFIED: DIMENSIONS ARE IN MILLIMETERS</small>			



TITLE: **General Arrangement of REID Lifting Porta-Gantry Size TC1 8400mm Beam WLL1000kg**

DWG NO.	<b>PGSS01000TC1-8400B</b>	A4
Estimated Weight:	282kg	1:55
		SHEET 1 OF 2

## General Specification

- Maximum rated capacity for goods lifting - 1000kg
- Maximum rated capacity for personnel lifting - 500kg
- Beam deflection at maximum rated capacity of 1000kg - between 110-120 mm at centre of span
- Maximum castor surface pressure at full load - 25.23 MPa
- Assembled gantry weight (excluding trolleys) - 282kg
- All welding to BS EN ISO 15614-2: 2005 by certified welders.
- For further details and assembly information refer to Operations and Maintenance Manual for Porta Gantry Product. (available at [www.reidlifting.com](http://www.reidlifting.com))

## Fall Protection Standards

- Certified to EN795:2012 Type B & supplied under PPE Regulation 2016/425
- Notified Body Witness tested to the requirements of PD CEN/TS16415:2013 for 2 persons
- Exceeds the requirements of IRATA ICOP & BS7985 (15kN MBL)

## Materials & Finishes

- Frame and beam - 6082 T6 Aluminium alloy. Anodised.
- Castors - Steel. Bright Zinc Plated.
- Castor Wheels & Rollers - Aluminium & Polyurethane
- Fixings - Steel. Grade 12:9. Bright Zinc Plated.

Note: Master Link Trolleys shown in system as a reference



DO NOT SCALE DRAWING

REVISION

02



Reid Lifting Limited. Unit 1  
Wyeview, Newhouse Farm Ind. Est.,  
Chepstow, Monmouthshire.  
NP16 6UD, UK

Tel +44(0)1291 620796  
Fax: +44(0)1291 626490

[www.reidlifting.com](http://www.reidlifting.com)

[enquiries@reidlifting.com](mailto:enquiries@reidlifting.com)

	NAME	DATE
DRAWN	SS	14/06/2021
CHK'D		
APP'VD	CM	10/03/2023

UNLESS OTHERWISE SPECIFIED:  
DIMENSIONS ARE IN MILLIMETERS

ALL COPYRIGHT AND DESIGN RIGHT SUBSISTING IN THIS DOCUMENT IS THE PROPERTY OF REID LIFTING LIMITED AND MAY NOT BE REPRODUCED WITHOUT REID LIFTING'S CONSENT. THIS DOCUMENT AND THE INFORMATION CONTAINED WITHIN IT IS CONFIDENTIAL AND MAY NOT BE DISCLOSED TO ANY THIRD PARTY NOR USED FOR ANY UNAUTHORIZED PURPOSE WITHOUT REID LIFTING'S CONSENT



TITLE: **General Arrangement of REID Lifting Porta-Gantry Size TC1 8400mm Beam WLL1000kg**

DWG NO.

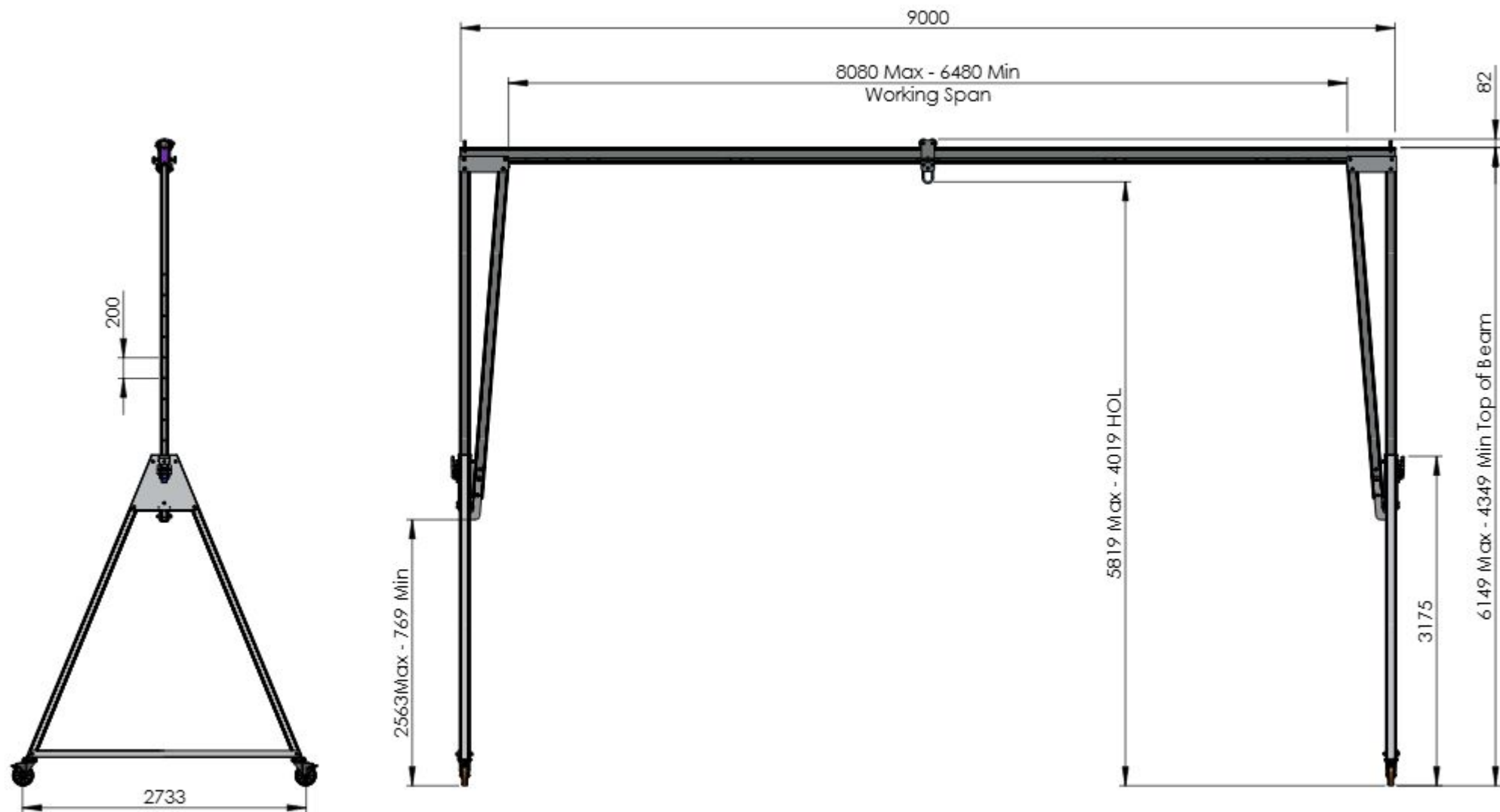
**PGSS01000TC1-8400B**

A4

Estimated Weight: 282kg

1:60

SHEET 2 OF 2



DO NOT SCALE DRAWING

REVISION **02**



Reid Lifting Limited. Unit 1  
Wyeview, Newhouse Farm Ind. Est.,  
Chepstow, Monmouthshire.  
NP16 6UD, UK

Tel +44(0) 1291 620796  
Fax +44(0) 1291 626490

[www.reidlifting.com](http://www.reidlifting.com)

[enquiries@reidlifting.com](mailto:enquiries@reidlifting.com)

	NAME	DATE	FINISH:
DRAWN	SS	14/06/2021	Anodised
CHK'D			MATERIAL:
APPR'D	CM	10/03/2023	Aluminium Alloy
<small>ALL COPYRIGHT AND DESIGN RIGHT SUBSISTING IN THIS DOCUMENT IS THE PROPERTY OF REID LIFTING LIMITED AND MAY NOT BE REPRODUCED WITHOUT REID LIFTING'S CONSENT. THIS DOCUMENT AND THE INFORMATION CONTAINED WITHIN IT IS CONFIDENTIAL AND MAY NOT BE DISCLOSED TO ANY THIRD PARTY NOR USED FOR ANY UNAUTHORISED PURPOSE WITHOUT REID LIFTING'S CONSENT</small>			
<small>UNLESS OTHERWISE SPECIFIED: DIMENSIONS ARE IN MILLIMETERS</small>			

TITLE:

**General Arrangement of REID  
Lifting Porta-Gantry Size TC1  
9000mm Beam WLL1000kg**

DWG NO.

**PGSS01000TC1-9000B**

A4

Estimated Weight: 288kg

1:55

SHEET 1 OF 2

## General Specification

- Maximum rated capacity for goods lifting - 1000kg
- Maximum rated capacity for personnel lifting - 500kg
- Beam deflection at maximum rated capacity of 1000kg - between 125-140 mm at centre of span
- Maximum castor surface pressure at full load - 25.29 MPa
- Assembled gantry weight (excluding trolleys) - 288kg
- All welding to BS EN ISO 15614-2: 2005 by certified welders.
- For further details and assembly information refer to Operations and Maintenance Manual for Porta Gantry Product. (available at [www.reidlifting.com](http://www.reidlifting.com))

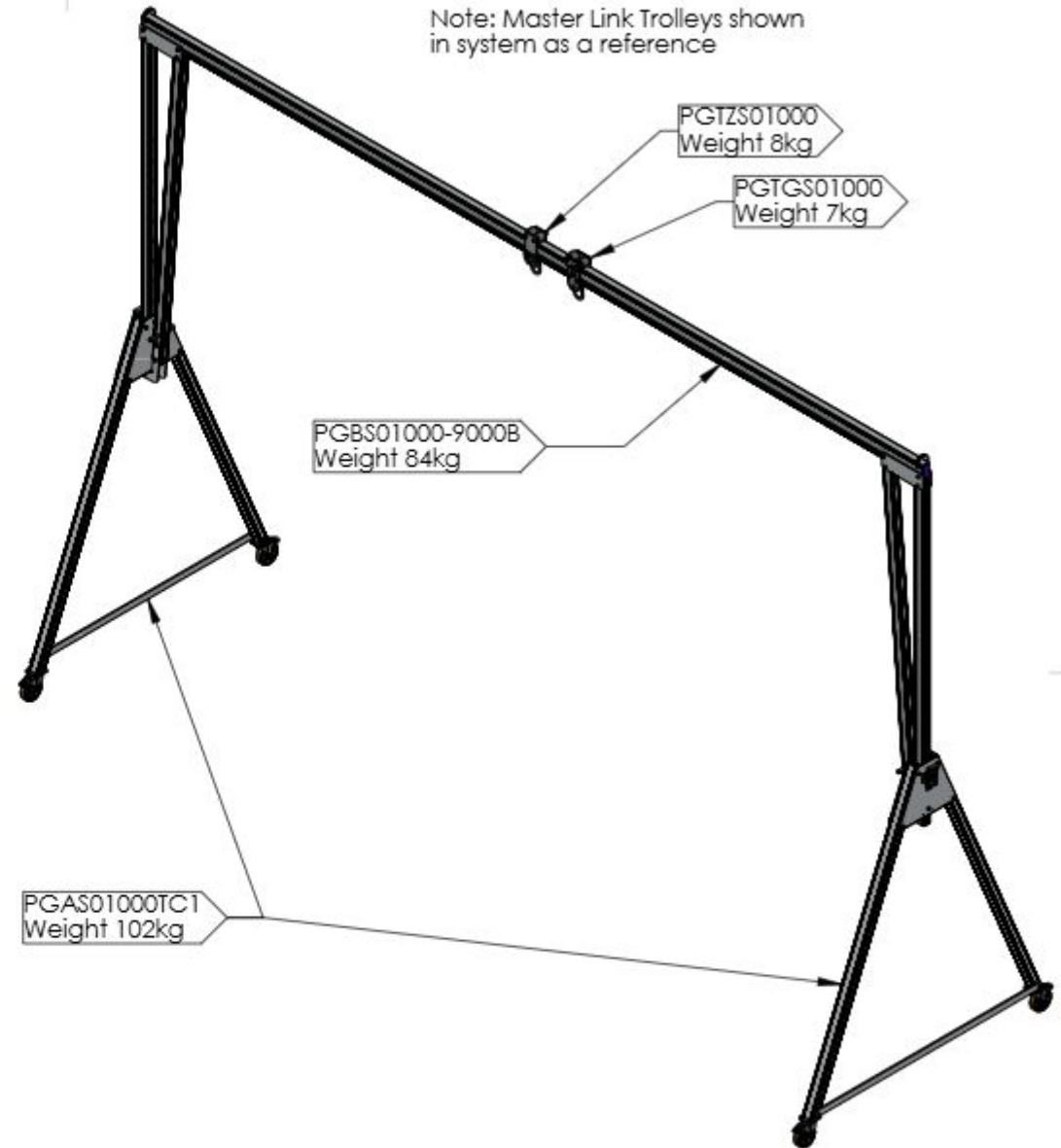
## Fall Protection Standards

- Certified to EN795:2012 Type B & supplied under PPE Regulation 2016/425
- Notified Body Witness tested to the requirements of PD CEN/TS16415:2013 for 2 persons
- Exceeds the requirements of IRATA ICOP & BS7985 (15kN MBL)

## Materials & Finishes

- Frame and beam - 6082 T6 Aluminium alloy. Anodised.
- Castors - Steel. Bright Zinc Plated.
- Castor Wheels & Rollers - Aluminium & Polyurethane
- Fixings - Steel. Grade 12:9. Bright Zinc Plated.

Note: Master Link Trolleys shown in system as a reference



DO NOT SCALE DRAWING

REVISION

02

**REID**  
**LIFTING**

Reid Lifting Limited. Unit 1  
Wyeview, Newhouse Farm Ind. Est.,  
Chepstow, Monmouthshire.  
NP16 6UD, UK

Tel +44(0)1291 620796  
Fax: +44(0)1291 626490

[www.reidlifting.com](http://www.reidlifting.com)

[enquiries@reidlifting.com](mailto:enquiries@reidlifting.com)

	NAME	DATE
DRAWN	SS	14/06/2021
CHK'D		
APPR'D	CM	10/03/2023

UNLESS OTHERWISE SPECIFIED:  
DIMENSIONS ARE IN MILLIMETERS

ALL COPYRIGHT AND DESIGN RIGHT SUBSISTING IN THIS DOCUMENT IS THE PROPERTY OF REID LIFTING LIMITED AND MAY NOT BE REPRODUCED WITHOUT REID LIFTING'S CONSENT. THIS DOCUMENT AND THE INFORMATION CONTAINED WITHIN IT IS CONFIDENTIAL AND MAY NOT BE DISCLOSED TO ANY THIRD PARTY NOR USED FOR ANY UNAUTHORISED PURPOSE WITHOUT REID LIFTING'S CONSENT



TITLE: **General Arrangement of REID Lifting Porta-Gantry Size TC1 9000mm Beam WLL1000kg**

DWG NO.

**PGSS01000TC1-9000B**

A4

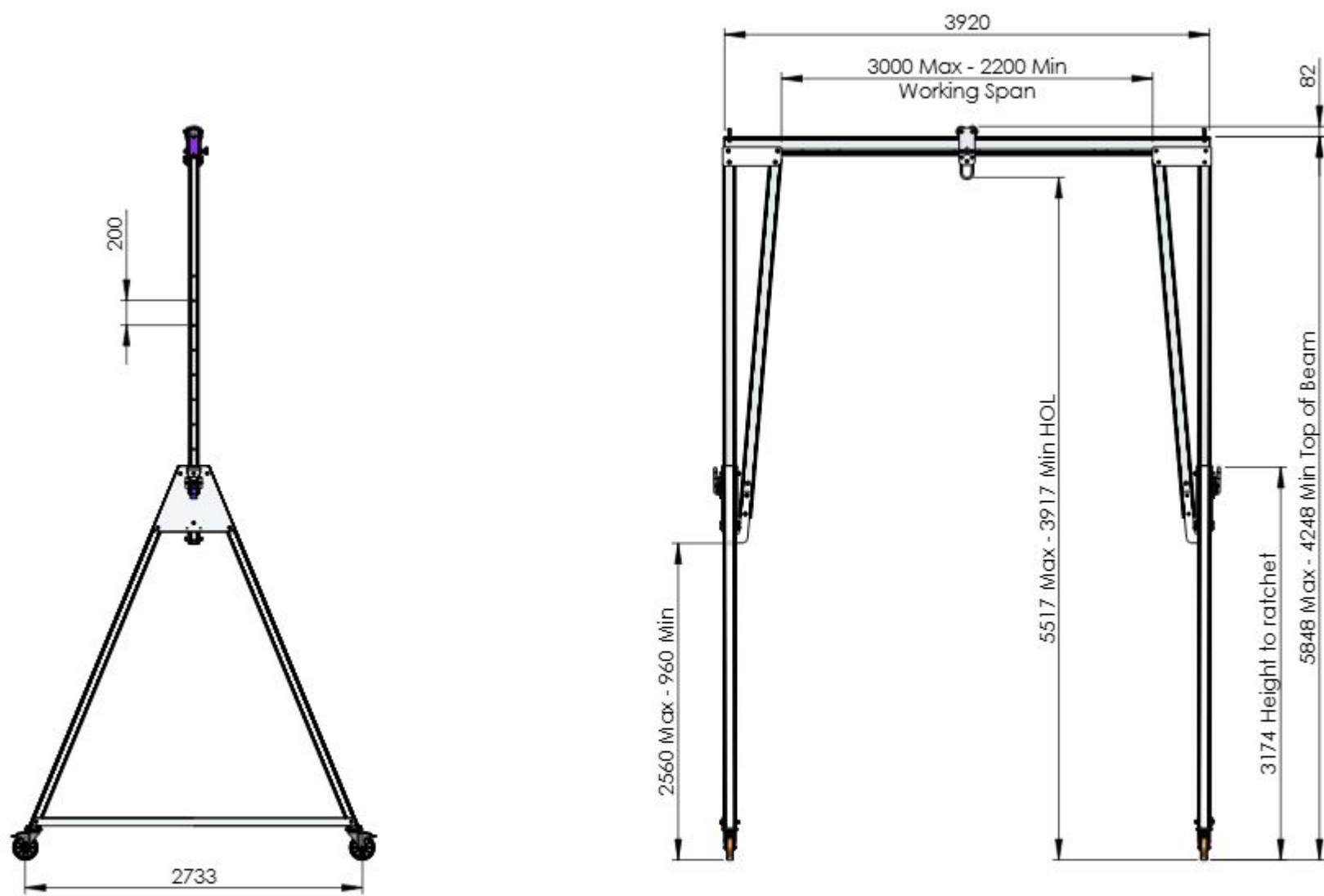
Estimated Weight: 288kg

1:60

SHEET 2 OF 2



To ensure the stability of the structure, the working span for the beam must be equal to or greater than the distance between castors on the A-frame



DO NOT SCALE DRAWING

REVISION **02**



Reid Lifting Limited. Unit 1  
Wyeview, Newhouse Farm Ind. Est.,  
Chepstow, Monmouthshire.  
NP16 6UD, UK

Tel +44(0) 1291 620796  
Fax +44(0) 1291 626490

[www.reidlifting.com](http://www.reidlifting.com)

[enquiries@reidlifting.com](mailto:enquiries@reidlifting.com)

	NAME	DATE	FINISH:
DRAWN	TB	25/05/2021	Anodised
CHK'D			MATERIAL:
APPR'D	CM	10/03/2023	Aluminium Alloy
<small>ALL COPYRIGHT AND DESIGN RIGHT SUBSISTING IN THIS DOCUMENT IS THE PROPERTY OF REID LIFTING LIMITED AND MAY NOT BE REPRODUCED WITHOUT REID LIFTING'S CONSENT. THIS DOCUMENT AND THE INFORMATION CONTAINED WITHIN IT IS CONFIDENTIAL AND MAY NOT BE DISCLOSED TO ANY THIRD PARTY NOR USED FOR ANY UNAUTHORISED PURPOSE WITHOUT REID LIFTING'S CONSENT</small>			
<small>UNLESS OTHERWISE SPECIFIED: DIMENSIONS ARE IN MILLIMETERS</small>			



TITLE: **General Arrangement of REID Lifting Porta-Gantry Size TC2 - 3920mm Beam WLL1000kg**

DWG NO. **PGSS01000TC2-3920A**

A4

Estimated Weight: 223 kg

1:50

SHEET 1 OF 2

## General Specification

- Maximum rated capacity for goods lifting - 1000kg
- Maximum rated capacity for personnel lifting - 500kg
- Beam deflection at maximum rated capacity of 1000kg - 15-20 mm at centre of span
- Maximum castor surface pressure at full load - 24.58 MPa
- Assembled gantry weight (excluding trolleys) - 223kg
- All welding to BS EN ISO 15614-2: 2005 by certified welders.
- For further details and assembly information refer to Operations and Maintenance Manual for Porta Gantry Product. (available at [www.reidlifting.com](http://www.reidlifting.com))

## Fall Protection Standards

- Certified to EN795:2012 Type B & supplied under PPE Regulation 2016/425
- Notified Body Witness tested to the requirements of PD CEN/TS16415:2013 for 3 persons
- Exceeds the requirements of IRATA ICOP & BS7985 (15kN MBL)
- Tested to and meets the requirements of ANSI Z359.18.2017 for 2 persons.

## Materials & Finishes

- Frame and beam - 6082 T6 Aluminium alloy. Anodised.
- Castors - Steel. Bright Zinc Plated.
- Castor Wheels & Rollers - Aluminium & Polyurethane
- Fixings - Steel. Grade 12.9. Bright Zinc Plated.

Note: Master Link Trolleys shown in system as a reference



Approved

DO NOT SCALE DRAWING

REVISION

02



Reid Lifting Limited. Unit 1  
Wyeview, Newhouse Farm Ind. Est.,  
Chepstow, Monmouthshire,  
NP16 6UD, UK

Tel +44(0)1291 620796  
Fax: +44(0)1291 626490

[www.reidlifting.com](http://www.reidlifting.com)

[enquiries@reidlifting.com](mailto:enquiries@reidlifting.com)

	NAME	DATE
DRAWN	TB	25/05/2021
CHK'D		
APPR'D	CM	10/03/2023

UNLESS OTHERWISE SPECIFIED:  
DIMENSIONS ARE IN MILLIMETERS

ALL COPYRIGHT AND DESIGN RIGHT SUBSISTING IN THIS DOCUMENT IS THE PROPERTY OF REID LIFTING LIMITED AND MAY NOT BE REPRODUCED WITHOUT REID LIFTING'S CONSENT. THIS DOCUMENT AND THE INFORMATION CONTAINED WITHIN IT IS CONFIDENTIAL AND MAY NOT BE DISCLOSED TO ANY THIRD PARTY NOR USED FOR ANY UNAUTHORIZED PURPOSE WITHOUT REID LIFTING'S CONSENT



TITLE: **General Arrangement of REID Lifting Porta-Gantry Size TC2 - 3920mm Beam WLL1000kg**

DWG NO.

**PGSS01000TC2-3920A**

A4

Estimated Weight: 223 kg

1:50

SHEET 2 OF 2



To ensure the stability of the structure, the working span for the beam must be equal to or greater than the distance between castors on the A-frame



DO NOT SCALE DRAWING

REVISION **02**



Reid Lifting Limited. Unit 1  
Wyeview, Newhouse Farm Ind. Est.,  
Chepstow, Monmouthshire,  
NP16 6UD, UK

Tel +44(0) 1291 620796  
Fax +44(0) 1291 626490

[www.reidlifting.com](http://www.reidlifting.com)

[enquiries@reidlifting.com](mailto:enquiries@reidlifting.com)

	NAME	DATE	FINISH:
DRAWN	TB	25/05/2021	Anodised
CHK'D			MATERIAL:
APPR'D	CM	10/03/2023	Aluminium Alloy
<small>ALL COPYRIGHT AND DESIGN RIGHT SUBSISTING IN THIS DOCUMENT IS THE PROPERTY OF REID LIFTING LIMITED AND MAY NOT BE REPRODUCED WITHOUT REID LIFTING'S CONSENT. THIS DOCUMENT AND THE INFORMATION CONTAINED WITHIN IT IS CONFIDENTIAL AND MAY NOT BE DISCLOSED TO ANY THIRD PARTY NOR USED FOR ANY UNAUTHORISED PURPOSE WITHOUT REID LIFTING'S CONSENT</small>			
<small>UNLESS OTHERWISE SPECIFIED: DIMENSIONS ARE IN MILLIMETERS</small>			



TITLE: **General Arrangement of REID Lifting Porta-Gantry Size TC2 - 4570mm Beam WLL1000kg**

DWG NO. **PGSS01000TC2-4570A**

A4

Estimated Weight: 227kg

1:50

SHEET 1 OF 2

## General Specification

- Maximum rated capacity for goods lifting - 1000kg
- Maximum rated capacity for personnel lifting - 500kg
- Beam deflection at maximum rated capacity of 1000kg - 20-30 mm at centre of span
- Maximum castor surface pressure at full load - 24.63 MPa
- Assembled gantry weight (excluding trollies) - 227kg
- All welding to BS EN ISO 15614-2: 2005 by certified welders.
- For further details and assembly information refer to Operations and Maintenance Manual for Porta Gantry Product. (available at [www.reidlifting.com](http://www.reidlifting.com))

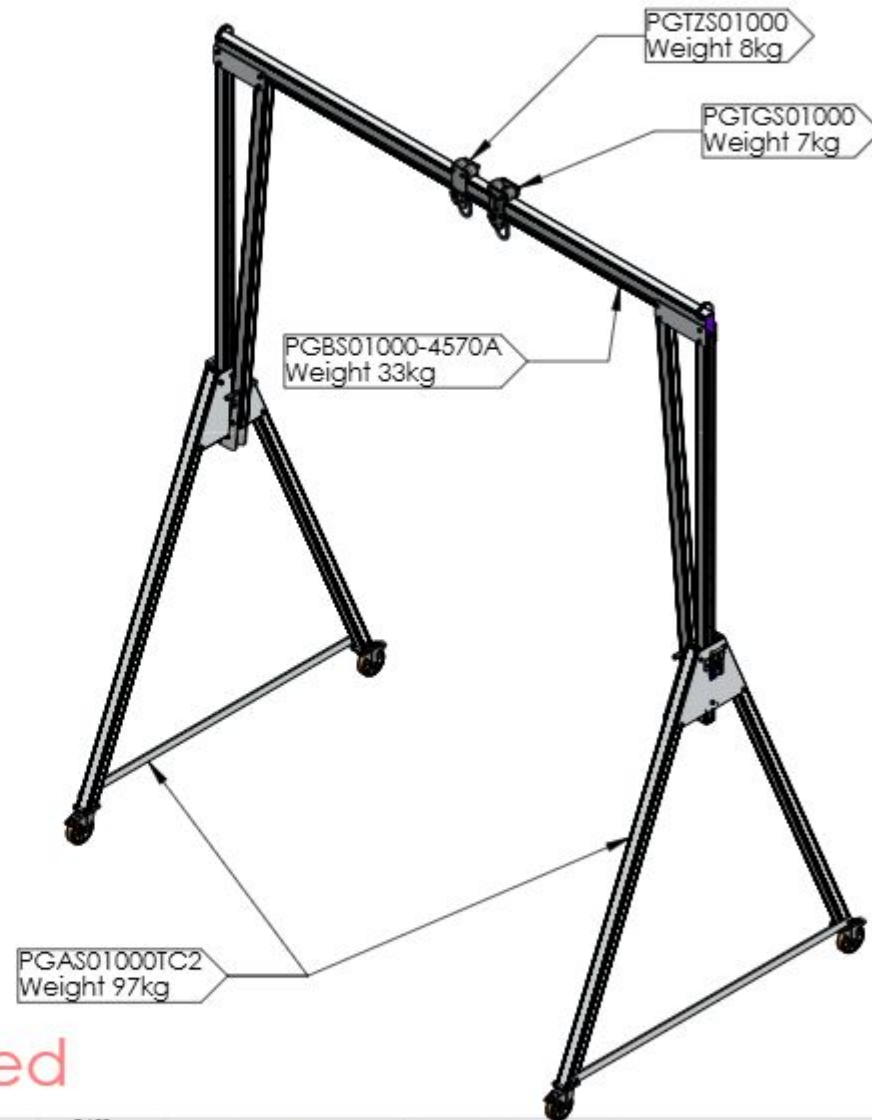
## Fall Protection Standards

- Certified to EN795:2012 Type B & supplied under PPE Regulation 2016/425
- Notified Body Witness tested to the requirements of PD CEN/TS16415:2013 for 3 persons
- Exceeds the requirements of IRATA ICOP & BS7985 (15kN MBL)
- Tested to and meets the requirements of ANSI Z359.18.2017 for 2 persons.

## Materials & Finishes

- Frame and beam - 6082 T6 Aluminium alloy. Anodised.
- Castors - Steel. Bright Zinc Plated.
- Castor Wheels & Rollers - Aluminium & Polyurethane
- Fixings - Steel. Grade 12.9. Bright Zinc Plated.

Note: Master Link Trolleys shown in system as a reference



Approved

DO NOT SCALE DRAWING

REVISION **02**



Reid Lifting Limited. Unit 1  
Wyeview, Newhouse Farm Ind. Est.,  
Chepstow, Monmouthshire.  
NP16 6UD, UK

Tel +44(0)1291 620796  
Fax: +44(0)1291 626490

[www.reidlifting.com](http://www.reidlifting.com)

[enquiries@reidlifting.com](mailto:enquiries@reidlifting.com)

	NAME	DATE
DRAWN	TB	25/05/2021
CHK'D		
APPR'D	CM	10/03/2023

UNLESS OTHERWISE SPECIFIED:  
DIMENSIONS ARE IN MILLIMETERS

ALL COPYRIGHT AND DESIGN RIGHT SUBSISTING IN THIS DOCUMENT IS THE PROPERTY OF REID LIFTING LIMITED AND MAY NOT BE REPRODUCED WITHOUT REID LIFTING'S CONSENT. THIS DOCUMENT AND THE INFORMATION CONTAINED WITHIN IT IS CONFIDENTIAL AND MAY NOT BE DISCLOSED TO ANY THIRD PARTY NOR USED FOR ANY UNAUTHORIZED PURPOSE WITHOUT REID LIFTING'S CONSENT



TITLE: **General Arrangement of REID Lifting Porta-Gantry Size TC2 - 4570mm Beam WLL1000kg**

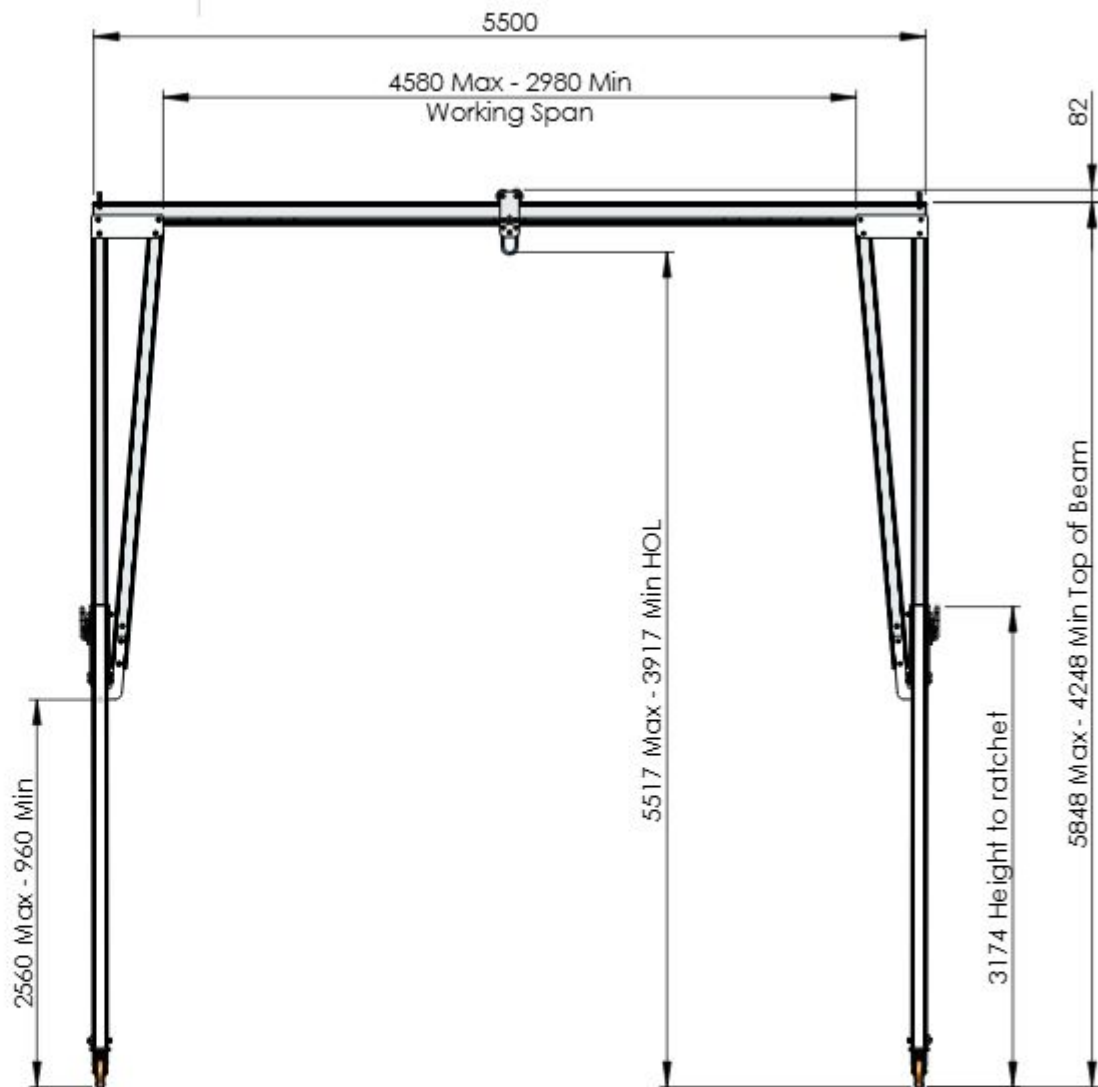
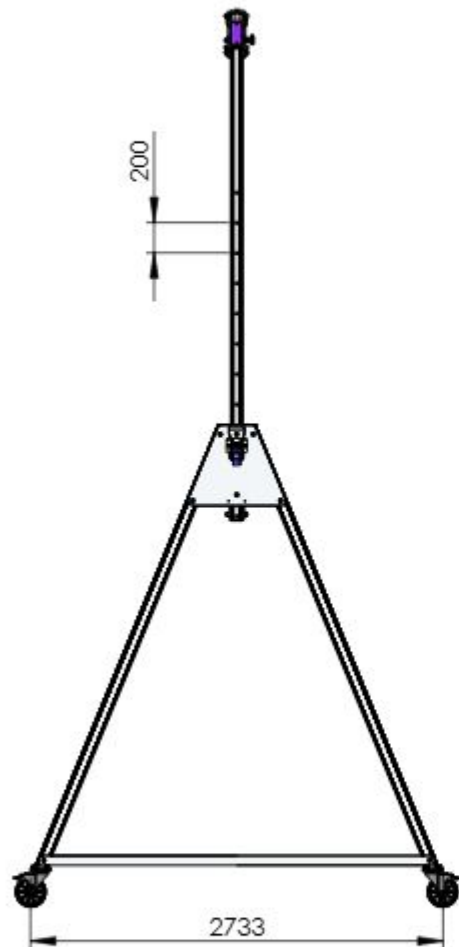
DWG NO. **PGSS01000TC2-4570A**

A4

Estimated Weight: 227kg

1:50

SHEET 2 OF 2



DO NOT SCALE DRAWING

REVISION **02**



Reid Lifting Limited. Unit 1  
Wyeview, Newhouse Farm Ind. Est.,  
Chepstow, Monmouthshire,  
NP16 6UD, UK

Tel +44(0) 1291 620796  
Fax +44(0) 1291 626490

[www.reidlifting.com](http://www.reidlifting.com)

[enquiries@reidlifting.com](mailto:enquiries@reidlifting.com)

	NAME	DATE	FINISH:
DRAWN	TB	25/05/2021	Anodised
CHK'D			MATERIAL:
APPR'D	CM	10/03/2023	Aluminium Alloy

ALL COPYRIGHT AND DESIGN RIGHT SUBSISTING IN THIS DOCUMENT IS THE PROPERTY OF REID LIFTING LIMITED AND MAY NOT BE REPRODUCED WITHOUT REID LIFTING'S CONSENT. THIS DOCUMENT AND THE INFORMATION CONTAINED WITHIN IT IS CONFIDENTIAL AND MAY NOT BE DISCLOSED TO ANY THIRD PARTY NOR USED FOR ANY UNAUTHORISED PURPOSE WITHOUT REID LIFTING'S CONSENT

UNLESS OTHERWISE SPECIFIED:  
DIMENSIONS ARE IN MILLIMETERS

TITLE: **General Arrangement of REID Lifting Porta-Gantry Size TC2 - 5500mm Beam WLL1000kg**

DWG NO. **PGSS01000TC2-5500A** A4

Estimated Weight: 234 kg

1:50

SHEET 1 OF 2

## General Specification

- Maximum rated capacity for goods lifting - 1000kg
- Maximum rated capacity for personnel lifting - 500kg
- Beam deflection at maximum rated capacity of 1000kg - 42-52 mm at centre of span
- Maximum castor surface pressure at full load - 24.70 MPa
- Assembled gantry weight (excluding trolleys) - 234kg
- All welding to BS EN ISO 15614-2: 2005 by certified welders.
- For further details and assembly information refer to Operations and Maintenance Manual for Porta Gantry Product. (available at [www.reidlifting.com](http://www.reidlifting.com))

## Fall Protection Standards

- Certified to EN795:2012 Type B & supplied under PPE Regulation 2016/425
- Notified Body Witness tested to the requirements of PD CEN/TS16415:2013 for 3 persons
- Exceeds the requirements of IRATA ICOP & BS7985 (15kN MBL)

## Materials & Finishes

- Frame and beam - 6082 T6 Aluminium alloy. Anodised.
- Castors - Steel. Bright Zinc Plated.
- Castor Wheels & Rollers - Aluminium & Polyurethane
- Fixings - Steel. Grade 12:9. Bright Zinc Plated.

Note: Master Link Trolleys shown in system as a reference



Approved

DO NOT SCALE DRAWING

REVISION **02**



Reid Lifting Limited. Unit 1  
Wyeview, Newhouse Farm Ind. Est.,  
Chepstow, Monmouthshire.  
NP16 6UD, UK

Tel +44(0)1291 620796  
Fax: +44(0)1291 626490

[www.reidlifting.com](http://www.reidlifting.com)

[enquiries@reidlifting.com](mailto:enquiries@reidlifting.com)

	NAME	DATE
DRAWN	TB	25/05/2021
CHK'D		
APP'VD	CM	10/03/2023

UNLESS OTHERWISE SPECIFIED:  
DIMENSIONS ARE IN MILLIMETERS

ALL COPYRIGHT AND DESIGN RIGHT SUBSISTING IN THIS DOCUMENT IS THE PROPERTY OF REID LIFTING LIMITED AND MAY NOT BE REPRODUCED WITHOUT REID LIFTING'S CONSENT. THIS DOCUMENT AND THE INFORMATION CONTAINED WITHIN IT IS CONFIDENTIAL AND MAY NOT BE DISCLOSED TO ANY THIRD PARTY NOR USED FOR ANY UNAUTHORIZED PURPOSE WITHOUT REID LIFTING'S CONSENT



TITLE: **General Arrangement of REID Lifting Porta-Gantry Size TC2 - 5500mm Beam WLL1000kg**

DWG NO.

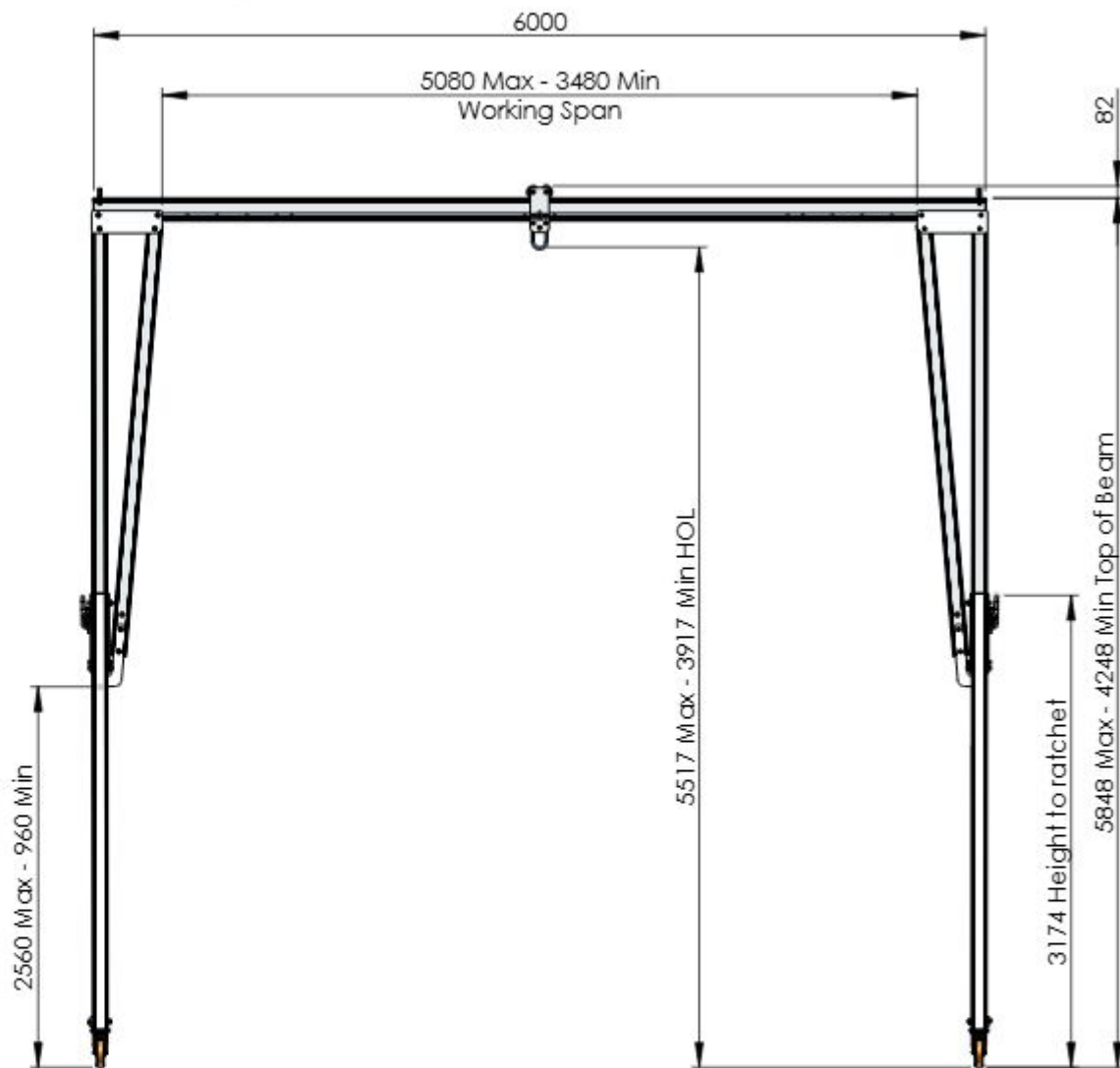
**PGSS01000TC2-5500A**

A4

Estimated Weight: 234 kg

1:50

SHEET 2 OF 2



DO NOT SCALE DRAWING

REVISION **02**



Reid Lifting Limited. Unit 1  
Wyeview, Newhouse Farm Ind. Est.,  
Chepstow, Monmouthshire,  
NP16 6UD, UK

Tel +44(0) 1291 620796  
Fax +44(0) 1291 626490

[www.reidlifting.com](http://www.reidlifting.com)

[enquiries@reidlifting.com](mailto:enquiries@reidlifting.com)

	NAME	DATE	FINISH:
DRAWN	TB	25/05/2021	Anodised
CHK'D			MATERIAL:
APPR'D	CM	10/03/2023	Aluminium Alloy

ALL COPYRIGHT AND DESIGN RIGHT SUBSISTING IN THIS DOCUMENT IS THE PROPERTY OF REID LIFTING LIMITED AND MAY NOT BE REPRODUCED WITHOUT REID LIFTING'S CONSENT. THIS DOCUMENT AND THE INFORMATION CONTAINED WITHIN IT IS CONFIDENTIAL AND MAY NOT BE DISCLOSED TO ANY THIRD PARTY NOR USED FOR ANY UNAUTHORISED PURPOSE WITHOUT REID LIFTING'S CONSENT

UNLESS OTHERWISE SPECIFIED:  
DIMENSIONS ARE IN MILLIMETERS

TITLE: **General Arrangement of REID Lifting Porta-Gantry Size TC2 - 6000mm Beam WLL1000kg**

DWG NO. **PGSS01000TC2-6000A** A4

Estimated Weight: 238 kg 1:50 SHEET 1 OF 2

## General Specification

- Maximum rated capacity for goods lifting - 1000kg
- Maximum rated capacity for personnel lifting - 500kg
- Beam deflection at maximum rated capacity of 1000kg - 45-55 mm at centre of span
- Maximum castor surface pressure at full load - 24.74 MPa
- Assembled gantry weight (excluding trollies) - 238kg
- All welding to BS EN ISO 15614-2: 2005 by certified welders.
- For further details and assembly information refer to Operations and Maintenance Manual for Porta Gantry Product. (available at [www.reidlifting.com](http://www.reidlifting.com))

## Fall Protection Standards

- Certified to EN795:2012 Type B & supplied under PPE Regulation 2016/425
- Notified Body Witness tested to the requirements of PD CEN/TS16415:2013 for 3 persons
- Exceeds the requirements of IRATA ICOP & BS7985 (15kN MBL)

## Materials & Finishes

- Frame and beam - 6082 T6 Aluminium alloy. Anodised.
- Castors - Steel. Bright Zinc Plated.
- Castor Wheels & Rollers - Aluminium & Polyurethane
- Fixings - Steel. Grade 12:9. Bright Zinc Plated.

Note: Master Link Trolleys shown in system as a reference



Approved

DO NOT SCALE DRAWING

REVISION **02**



Reid Lifting Limited. Unit 1  
Wyeview, Newhouse Farm Ind. Est.,  
Chepstow, Monmouthshire.  
NP16 6UD, UK

Tel +44(0)1291 620796  
Fax: +44(0)1291 626490

[www.reidlifting.com](http://www.reidlifting.com)

[enquiries@reidlifting.com](mailto:enquiries@reidlifting.com)

	NAME	DATE
DRAWN	TB	25/05/2021
CHK'D		
APP'VD	CM	10/03/2023

UNLESS OTHERWISE SPECIFIED:  
DIMENSIONS ARE IN MILLIMETERS

ALL COPYRIGHT AND DESIGN RIGHT SUBSISTING IN THIS DOCUMENT IS THE PROPERTY OF REID LIFTING LIMITED AND MAY NOT BE REPRODUCED WITHOUT REID LIFTING'S CONSENT. THIS DOCUMENT AND THE INFORMATION CONTAINED WITHIN IT IS CONFIDENTIAL AND MAY NOT BE DISCLOSED TO ANY THIRD PARTY NOR USED FOR ANY UNAUTHORIZED PURPOSE WITHOUT REID LIFTING'S CONSENT



TITLE: **General Arrangement of REID Lifting Porta-Gantry Size TC2 - 6000mm Beam WLL1000kg**

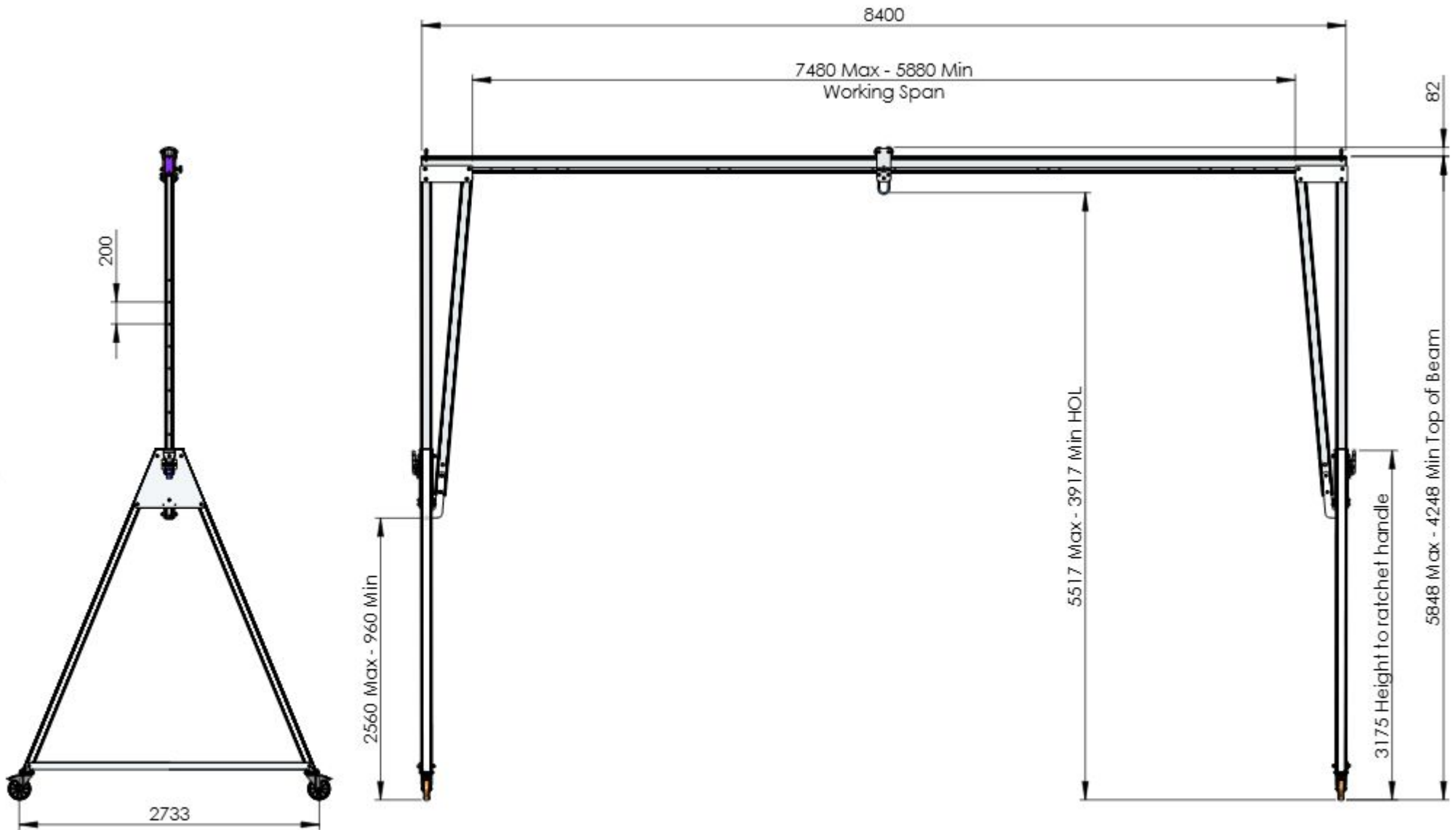
DWG NO. **PGSS01000TC2-6000A**

A4

Estimated Weight: 238 kg

1:55

SHEET 2 OF 2



DO NOT SCALE DRAWING

REVISION

**02**



Reid Lifting Limited. Unit 1  
Wyeview, Newhouse Farm Ind. Est.,  
Chepstow, Monmouthshire.  
NP16 6UD, UK

Tel +44(0) 1291 620796  
Fax +44(0) 1291 626490

[www.reidlifting.com](http://www.reidlifting.com)

[enquiries@reidlifting.com](mailto:enquiries@reidlifting.com)

	NAME	DATE	FINISH:
DRAWN	TB	26/05/2021	Anodised
CHK'D			MATERIAL:
APPR'D	CM	10/03/2023	Aluminium Alloy
<small>ALL COPYRIGHT AND DESIGN RIGHT SUBSISTING IN THIS DOCUMENT IS THE PROPERTY OF REID LIFTING LIMITED AND MAY NOT BE REPRODUCED WITHOUT REID LIFTING'S CONSENT. THIS DOCUMENT AND THE INFORMATION CONTAINED WITHIN IT IS CONFIDENTIAL AND MAY NOT BE DISCLOSED TO ANY THIRD PARTY NOR USED FOR ANY UNAUTHORISED PURPOSE WITHOUT REID LIFTING'S CONSENT</small>			
<small>UNLESS OTHERWISE SPECIFIED: DIMENSIONS ARE IN MILLIMETERS</small>			



TITLE: **General Arrangement of REID Lifting Porta-Gantry Size TC2 - 8400mm Beam WLL1000kg**

DWG NO.

**PGSS01000TC2-8400B**

A4

Estimated Weight: 272 kg

1:50

SHEET 1 OF 2

## General Specification

- Maximum rated capacity for goods lifting - 1000kg
- Maximum rated capacity for personnel lifting - 500kg
- Beam deflection at maximum rated capacity of 1000kg - 110-120 mm at centre of span
- Maximum castor surface pressure at full load - 25.12 MPa
- Assembled gantry weight (excluding trolleys) - 272kg
- All welding to BS EN ISO 15614-2: 2005 by certified welders.
- For further details and assembly information refer to Operations and Maintenance Manual for Porta Gantry Product. (available at [www.reidlifting.com](http://www.reidlifting.com))

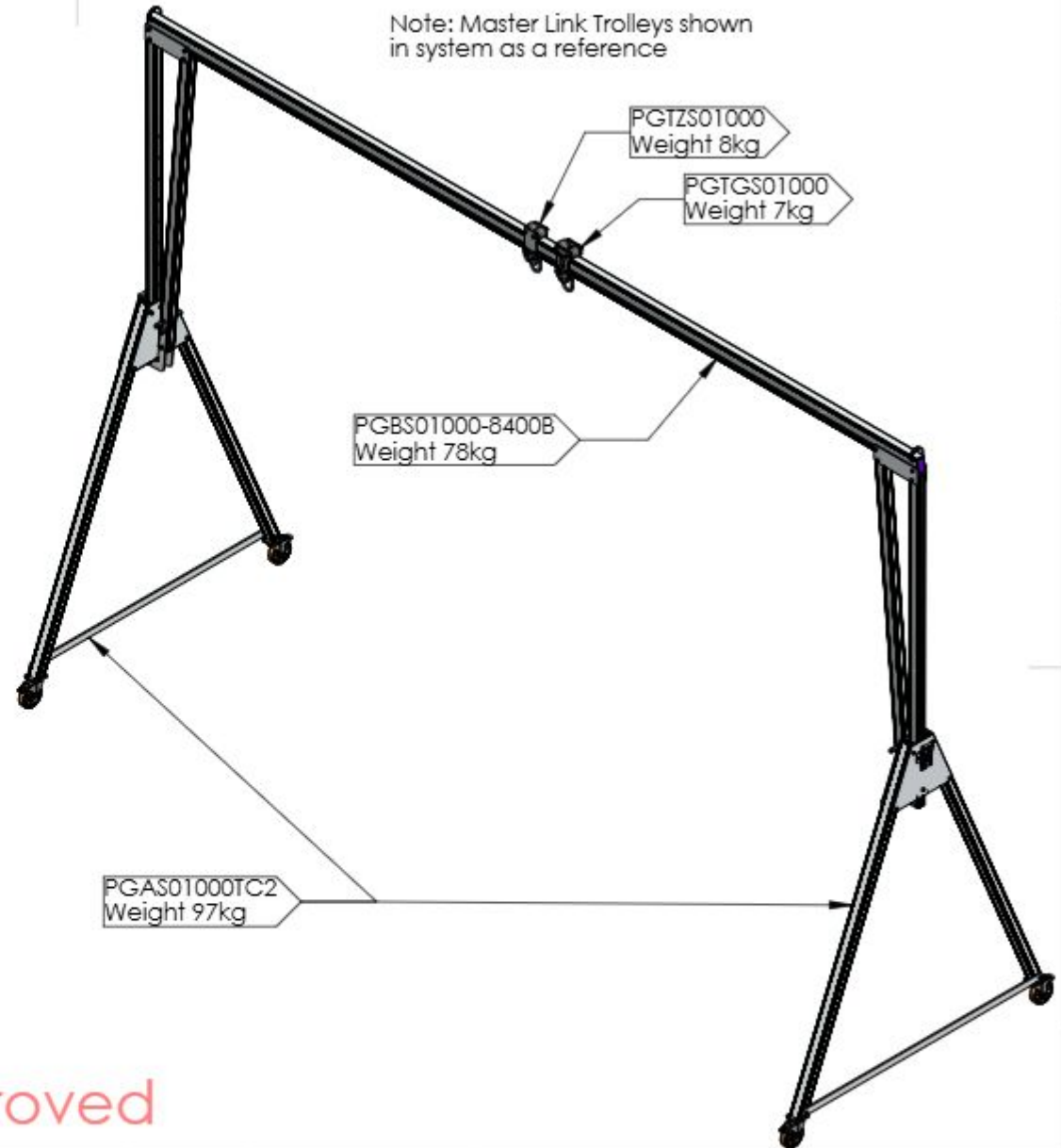
## Fall Protection Standards

- Certified to EN795:2012 Type B & supplied under PPE Regulation 2016/425
- Notified Body Witness tested to the requirements of PD CEN/TS16415:2013 for 3 persons
- Exceeds the requirements of IRATA ICOP & BS7985 (15kN MBL)

## Materials & Finishes

- Frame and beam - 6082 T6 Aluminium alloy. Anodised.
- Castors - Steel. Bright Zinc Plated.
- Castor Wheels & Rollers - Aluminium & Polyurethane
- Fixings - Steel. Grade 12:9. Bright Zinc Plated.

Note: Master Link Trolleys shown in system as a reference



Approved

DO NOT SCALE DRAWING

REVISION

02



Reid Lifting Limited. Unit 1  
Wyeview, Newhouse Farm Ind. Est.,  
Chepstow, Monmouthshire.  
NP16 6UD, UK

Tel +44(0)1291 620796  
Fax: +44(0)1291 626490

[www.reidlifting.com](http://www.reidlifting.com)

[enquiries@reidlifting.com](mailto:enquiries@reidlifting.com)

	NAME	DATE
DRAWN	TB	26/05/2021
CHK'D		
APP'VD	CM	10/03/2023

UNLESS OTHERWISE SPECIFIED:  
DIMENSIONS ARE IN MILLIMETERS

ALL COPYRIGHT AND DESIGN RIGHT SUBSISTING IN THIS DOCUMENT IS THE PROPERTY OF REID LIFTING LIMITED AND MAY NOT BE REPRODUCED WITHOUT REID LIFTING'S CONSENT. THIS DOCUMENT AND THE INFORMATION CONTAINED WITHIN IT IS CONFIDENTIAL AND MAY NOT BE DISCLOSED TO ANY THIRD PARTY NOR USED FOR ANY UNAUTHORIZED PURPOSE WITHOUT REID LIFTING'S CONSENT



TITLE:

General Arrangement of REID  
Lifting Porta-Gantry Size TC2 -  
8400mm Beam WLL1000kg

DWG NO.

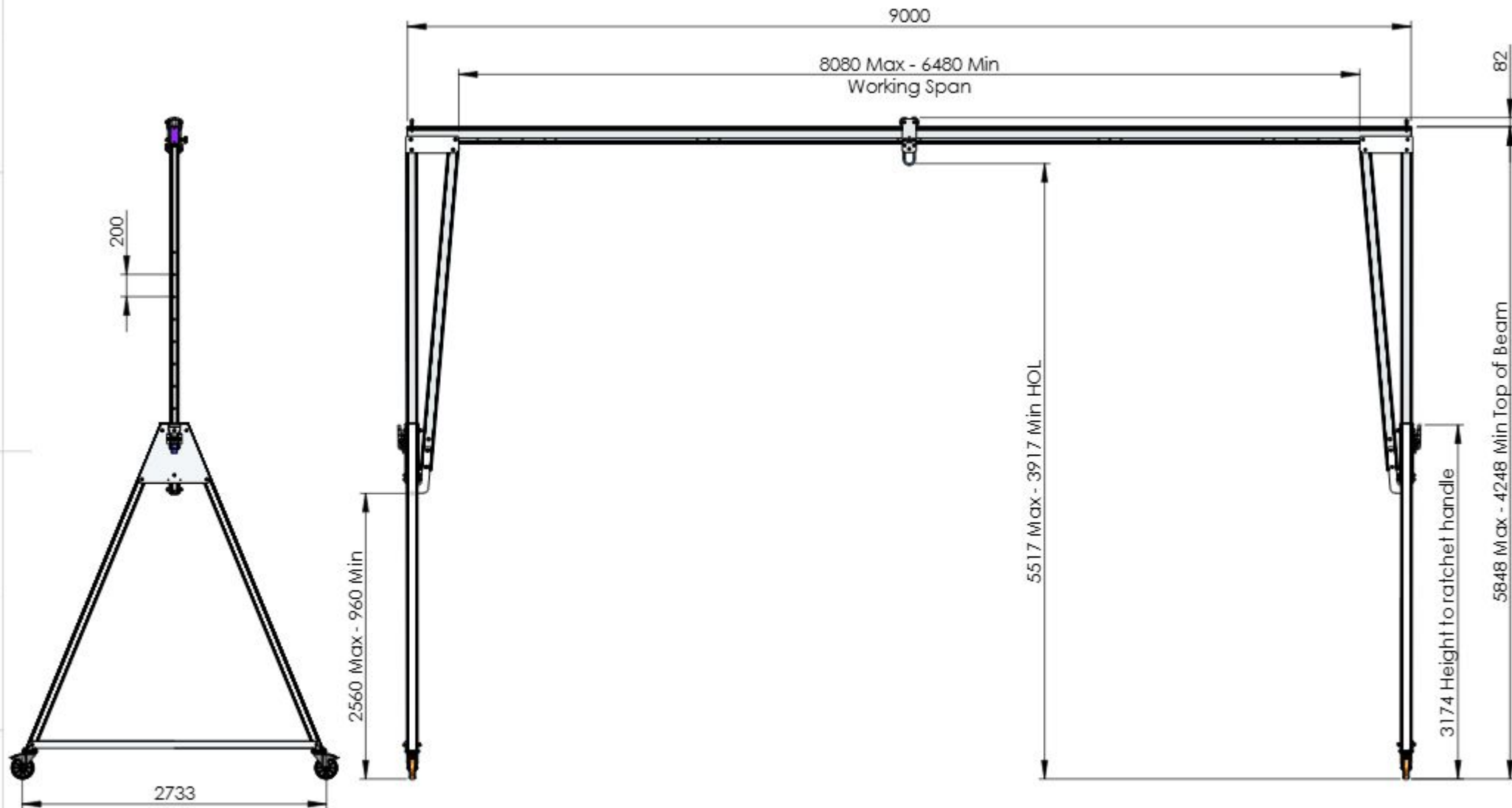
PGSS01000TC2-8400B

A4

Estimated Weight: 272 kg

1:55

SHEET 2 OF 2



DO NOT SCALE DRAWING

REVISION

**02**



Reid Lifting Limited. Unit 1  
Wyeview, Newhouse Farm Ind. Est.,  
Chepstow, Monmouthshire.  
NP16 6UD, UK

Tel +44(0) 1291 620796  
Fax +44(0) 1291 626490

[www.reidlifting.com](http://www.reidlifting.com)

[enquiries@reidlifting.com](mailto:enquiries@reidlifting.com)

	NAME	DATE	FINISH:
DRAWN	TB	26/05/2021	Anodised
CHK'D			MATERIAL:
APPR'D	CM	10/03/2023	Aluminium Alloy
<small>ALL COPYRIGHT AND DESIGN RIGHT SUBSISTING IN THIS DOCUMENT IS THE PROPERTY OF REID LIFTING LIMITED AND MAY NOT BE REPRODUCED WITHOUT REID LIFTING'S CONSENT. THIS DOCUMENT AND THE INFORMATION CONTAINED WITHIN IT IS CONFIDENTIAL AND MAY NOT BE DISCLOSED TO ANY THIRD PARTY NOR USED FOR ANY UNAUTHORISED PURPOSE WITHOUT REID LIFTING'S CONSENT</small>			
<small>UNLESS OTHERWISE SPECIFIED: DIMENSIONS ARE IN MILLIMETERS</small>			

TITLE:

**General Arrangement of REID Lifting Porta-Gantry Size TC2 - 9000mm Beam WLL1000kg**

DWG NO.

**PGSS01000TC2-9000B**

A4

Estimated Weight: 278 kg

1:50

SHEET 1 OF 2

## General Specification

- Maximum rated capacity for goods lifting - 1000kg
- Maximum rated capacity for personnel lifting - 500kg
- Beam deflection at maximum rated capacity of 1000kg - 125-140 mm at centre of span
- Maximum castor surface pressure at full load - 25.18 MPa
- Assembled gantry weight (excluding trolleys) - 278kg
- All welding to BS EN ISO 15614-2: 2005 by certified welders.
- For further details and assembly information refer to Operations and Maintenance Manual for Porta Gantry Product. (available at [www.reidlifting.com](http://www.reidlifting.com))

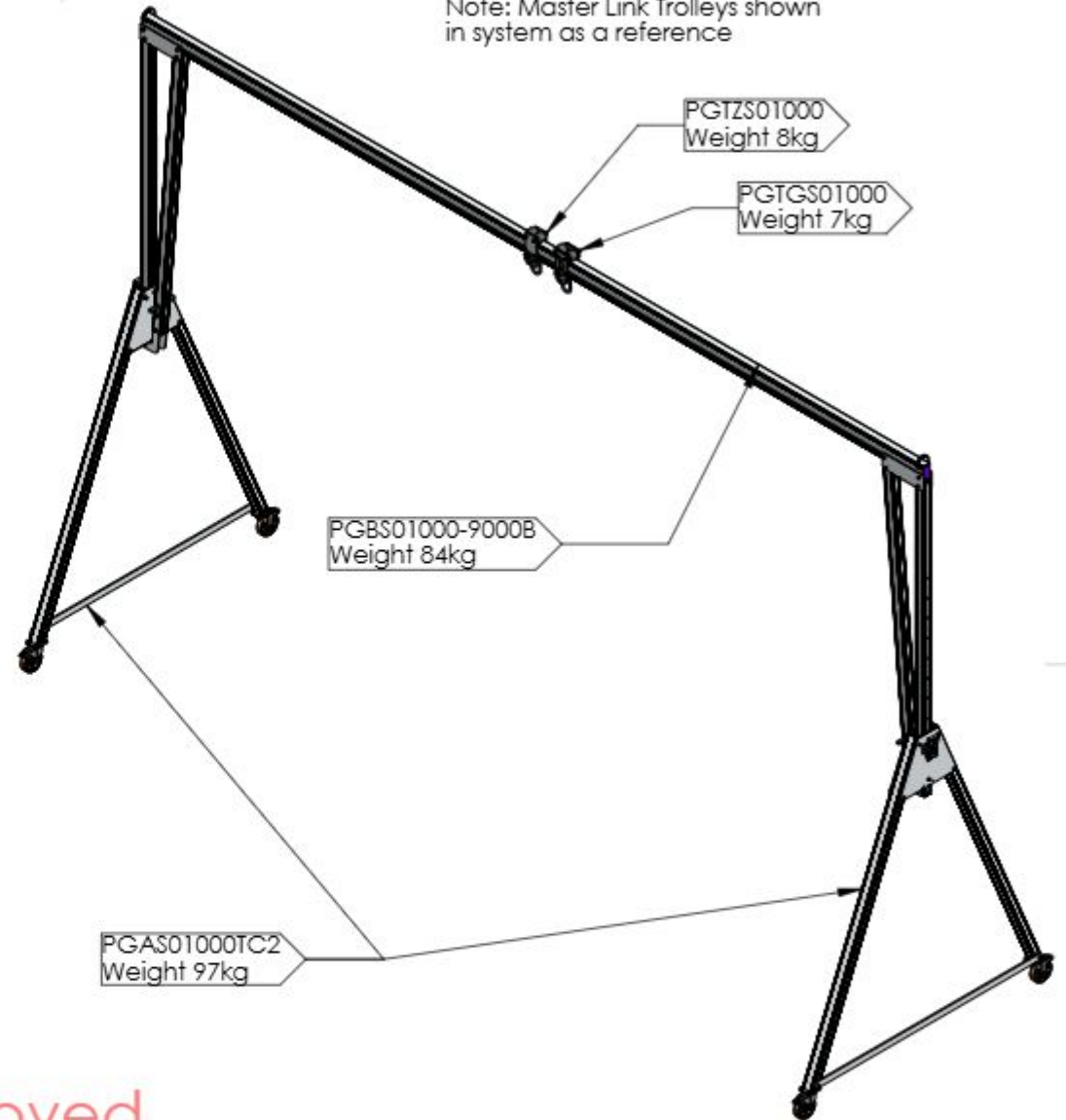
## Fall Protection Standards

- Certified to EN795:2012 Type B & supplied under PPE Regulation 2016/425
- Notified Body Witness tested to the requirements of PD CEN/TS16415:2013 for 3 persons
- Exceeds the requirements of IRATA ICOP & BS7985 (15kN MBL)

## Materials & Finishes

- Frame and beam - 6082 T6 Aluminium alloy. Anodised.
- Castors - Steel. Bright Zinc Plated.
- Castor Wheels & Rollers - Aluminium & Polyurethane
- Fixings - Steel. Grade 12:9. Bright Zinc Plated.

Note: Master Link Trolleys shown in system as a reference



Approved

DO NOT SCALE DRAWING

REVISION **02**



Reid Lifting Limited. Unit 1  
Wyeview, Newhouse Farm Ind. Est.,  
Chepstow, Monmouthshire.  
NP16 6UD, UK

Tel +44(0)1291 620796  
Fax: +44(0)1291 626490

[www.reidlifting.com](http://www.reidlifting.com)

[enquiries@reidlifting.com](mailto:enquiries@reidlifting.com)

	NAME	DATE
DRAWN	TB	26/05/2021
CHK'D		
APP'VD	CM	10/03/2023

UNLESS OTHERWISE SPECIFIED:  
DIMENSIONS ARE IN MILLIMETERS

ALL COPYRIGHT AND DESIGN RIGHT SUBSISTING IN THIS DOCUMENT IS THE PROPERTY OF REID LIFTING LIMITED AND MAY NOT BE REPRODUCED WITHOUT REID LIFTING'S CONSENT. THIS DOCUMENT AND THE INFORMATION CONTAINED WITHIN IT IS CONFIDENTIAL AND MAY NOT BE DISCLOSED TO ANY THIRD PARTY NOR USED FOR ANY UNAUTHORISED PURPOSE WITHOUT REID LIFTING'S CONSENT



TITLE: **General Arrangement of REID Lifting Porta-Gantry Size TC2 - 9000mm Beam WLL1000kg**

DWG NO. **PGSS01000TC2-9000B**

A4

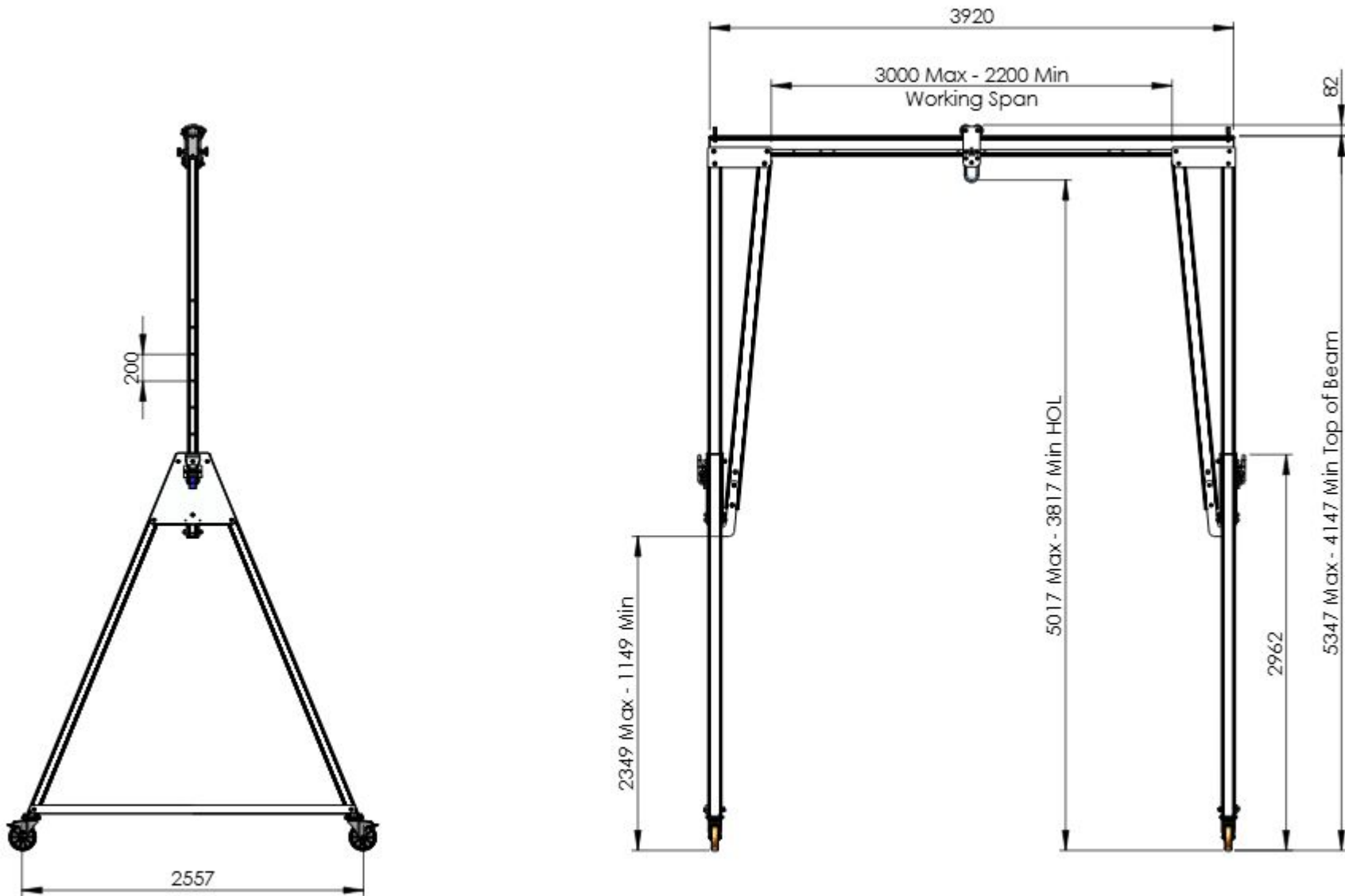
Estimated Weight: 278 kg

1:60

SHEET 2 OF 2



To ensure the stability of the structure, the working span of the beam must be equal to or greater than the distance between castors on the A-frame



DO NOT SCALE DRAWING

REVISION

02



Reid Lifting Limited. Unit 1  
Wyeview, Newhouse Farm Ind. Est.,  
Chepstow, Monmouthshire.  
NP16 6UD, UK

Tel +44(0) 1291 620796  
Fax +44(0) 1291 626490

[www.reidlifting.com](http://www.reidlifting.com)

[enquiries@reidlifting.com](mailto:enquiries@reidlifting.com)

	NAME	DATE	FINISH:
DRAWN	SS	07/06/2021	Anodised
CHK'D			MATERIAL:
APPR'D	CM	10/03/2023	Aluminium Alloy
<small>ALL COPYRIGHT AND DESIGN RIGHT SUBSISTING IN THIS DOCUMENT IS THE PROPERTY OF REID LIFTING LIMITED AND MAY NOT BE REPRODUCED WITHOUT REID LIFTING'S CONSENT. THIS DOCUMENT AND THE INFORMATION CONTAINED WITHIN IT IS CONFIDENTIAL AND MAY NOT BE DISCLOSED TO ANY THIRD PARTY NOR USED FOR ANY UNAUTHORISED PURPOSE WITHOUT REID LIFTING'S CONSENT</small>			
<small>UNLESS OTHERWISE SPECIFIED: DIMENSIONS ARE IN MILLIMETERS</small>			

TITLE:	DWG NO.	A4
<b>General Arrangement of REID Lifting Porta-Gantry Size TC3 - 3920mm Beam WLL1000kg</b>	<b>PGSS01000TC3-3920A</b>	
Estimated Weight: 211kg	1:45	SHEET 1 OF 2

## General Specification

- Maximum rated capacity for goods lifting - 1000kg
- Maximum rated capacity for personnel lifting - 500kg
- Beam deflection at maximum rated capacity of 1000kg - between 15-20mm at centre of span
- Maximum castor surface pressure at full load - 24.45 MPa
- Assembled gantry weight (excluding trollies) - 211kg
- All welding to BS EN ISO 15614-2: 2005 by certified welders.
- For further details and assembly information refer to Operations and Maintenance Manual for Porta Gantry Product. (available at [www.reidlifting.com](http://www.reidlifting.com))

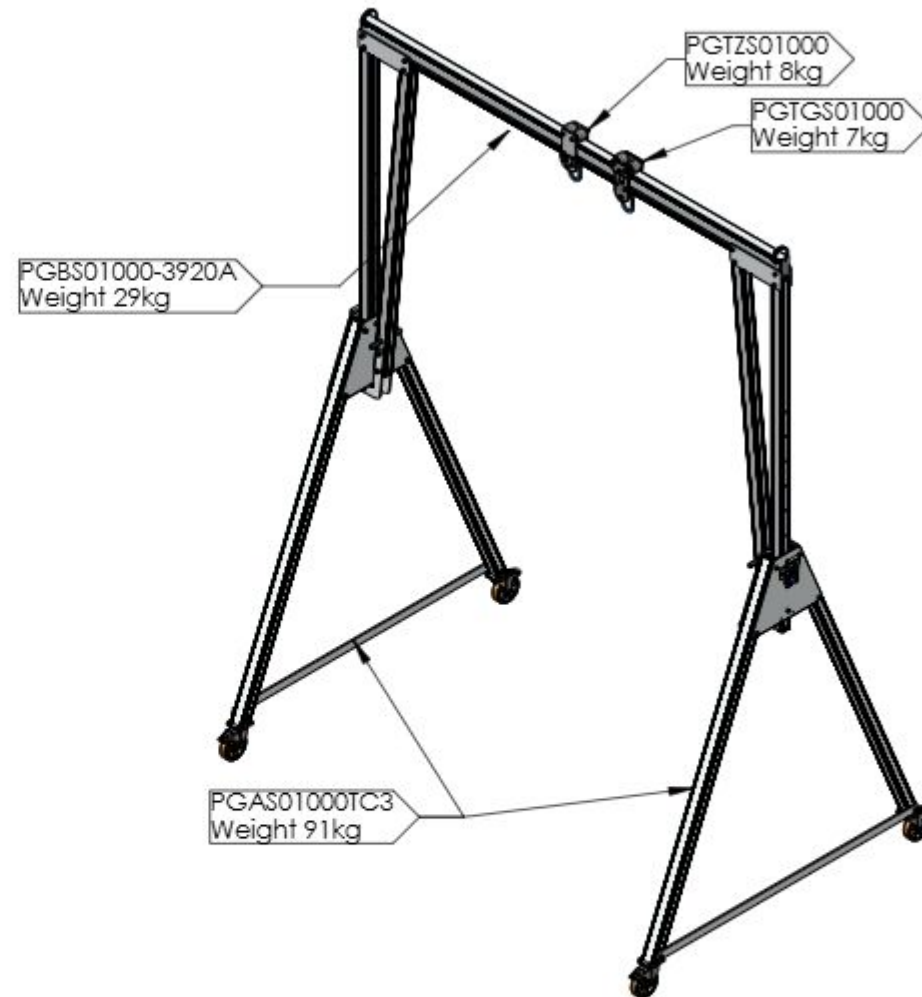
## Fall Protection Standards

- Certified to EN795:2012 Type B & supplied under PPE Regulation 2016/425
- Notified Body Witness tested to the requirements of PD CEN/TS16415:2013 for 3 persons
- Exceeds the requirements of IRATA ICOP & BS7985 (15kN MBL)
- Tested to and meets the requirements of ANSI Z359.18.2017 for 2 persons.

## Materials & Finishes

- Frame and beam - 6082 T6 Aluminium alloy. Anodised.
- Castors - Steel. Bright Zinc Plated.
- Castor Wheels & Rollers - Aluminium & Polyurethane
- Fixings - Steel. Grade 12.9. Bright Zinc Plated.

Note: Master Link Trolleys shown in system as a reference



Approved

DO NOT SCALE DRAWING

REVISION **02**



Reid Lifting Limited. Unit 1  
Wyeview, Newhouse Farm Ind. Est.,  
Chepstow, Monmouthshire.  
NP16 6UD, UK

Tel +44(0)1291 620796  
Fax: +44(0)1291 626490

[www.reidlifting.com](http://www.reidlifting.com)

[enquiries@reidlifting.com](mailto:enquiries@reidlifting.com)

	NAME	DATE
DRAWN	SS	07/06/2021
CHK'D		
APP'VD	CM	10/03/2023

UNLESS OTHERWISE SPECIFIED:  
DIMENSIONS ARE IN MILLIMETERS

ALL COPYRIGHT AND DESIGN RIGHT SUBSISTING IN THIS DOCUMENT IS THE PROPERTY OF REID LIFTING LIMITED AND MAY NOT BE REPRODUCED WITHOUT REID LIFTING'S CONSENT. THIS DOCUMENT AND THE INFORMATION CONTAINED WITHIN IT IS CONFIDENTIAL AND MAY NOT BE DISCLOSED TO ANY THIRD PARTY NOR USED FOR ANY UNAUTHORISED PURPOSE WITHOUT REID LIFTING'S CONSENT



TITLE:

**General Arrangement of REID Lifting Porta-Gantry Size TC3 - 3920mm Beam WLL1000kg**

DWG NO.

**PGSS01000TC3-3920A**

A4

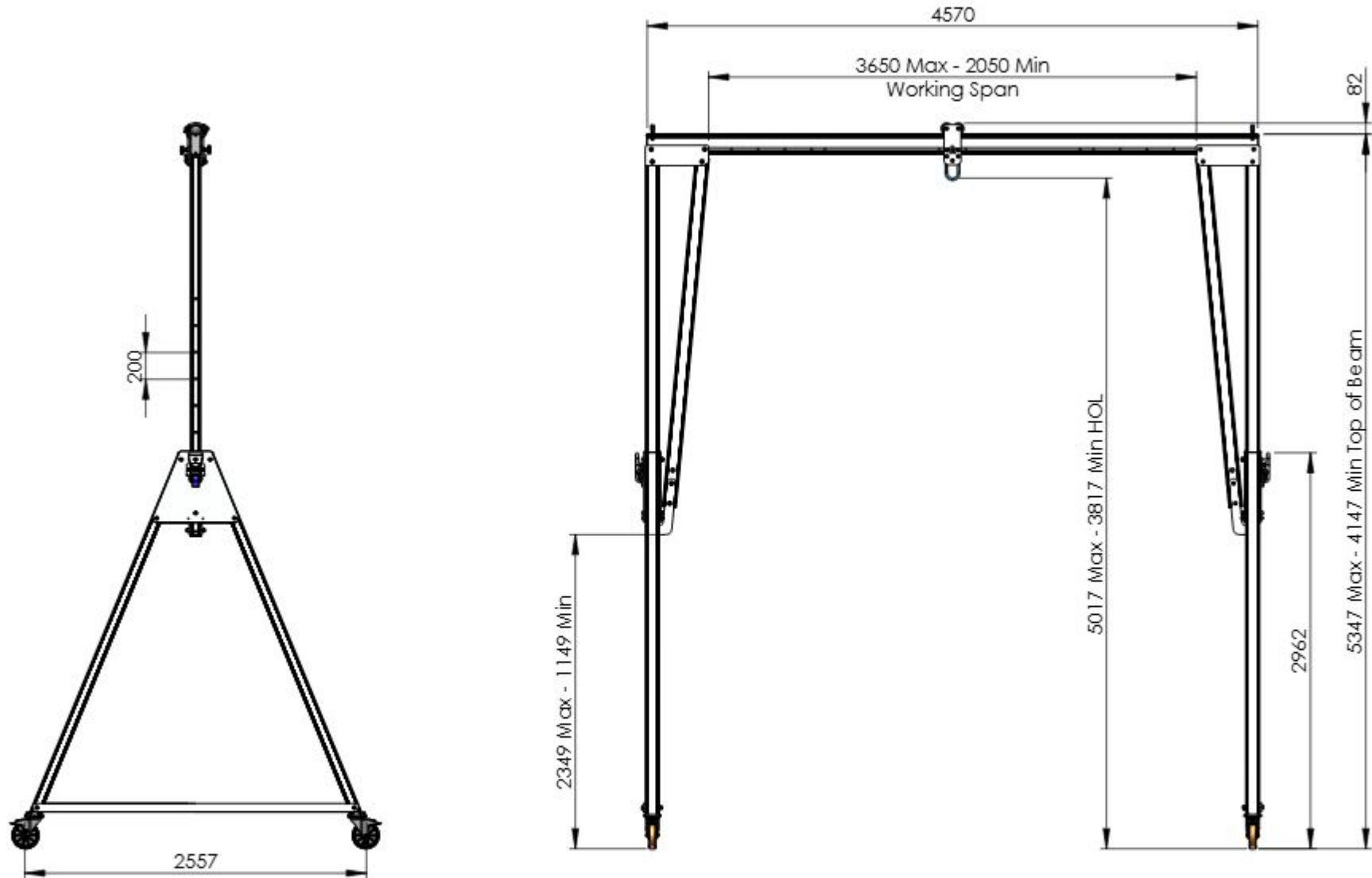
Estimated Weight: 211kg

1:50

SHEET 2 OF 2



To ensure the stability of the struture, the working span of the beam must be equal to or greater than the distance between castors on the A-frame



DO NOT SCALE DRAWING

REVISION **02**



Reid Lifting Limited. Unit 1  
Wyeview, Newhouse Farm Ind. Est.,  
Chepstow, Monmouthshire,  
NP16 6UD, UK

Tel +44(0) 1291 620796  
Fax +44(0) 1291 626490

[www.reidlifting.com](http://www.reidlifting.com)

[enquiries@reidlifting.com](mailto:enquiries@reidlifting.com)

	NAME	DATE	FINISH:
DRAWN	SS	07/06/2021	Anodised
CHK'D			MATERIAL:
APPR'D	CM	10/03/2023	Aluminium Alloy
<small>ALL COPYRIGHT AND DESIGN RIGHT SUBSISTING IN THIS DOCUMENT IS THE PROPERTY OF REID LIFTING LIMITED AND MAY NOT BE REPRODUCED WITHOUT REID LIFTING'S CONSENT. THIS DOCUMENT AND THE INFORMATION CONTAINED WITHIN IT IS CONFIDENTIAL AND MAY NOT BE DISCLOSED TO ANY THIRD PARTY NOR USED FOR ANY UNAUTHORISED PURPOSE WITHOUT REID LIFTING'S CONSENT</small>			
<small>UNLESS OTHERWISE SPECIFIED: DIMENSIONS ARE IN MILLIMETERS</small>			



TITLE: **General Arrangement of REID Lifting Porta-Gantry Size TC3 - 4570mm Beam WLL1000kg**

DWG NO. **PGSS01000TC3-4570A** A4

Estimated Weight: 215kg 1:45 SHEET 1 OF 2

## General Specification

- Maximum rated capacity for goods lifting - 1000kg
- Maximum rated capacity for personnel lifting - 500kg
- Beam deflection at maximum rated capacity of 1000kg - between 20-30mm at centre of span
- Maximum castor surface pressure at full load - 24.50 MPa
- Assembled gantry weight (excluding trolleys) - 215kg
- All welding to BS EN ISO 15614-2: 2005 by certified welders.
- For further details and assembly information refer to Operations and Maintenance Manual for Porta Gantry Product. (available at [www.reidlifting.com](http://www.reidlifting.com))

## Fall Protection Standards

- Certified to EN795:2012 Type B & supplied under PPE Regulation 2016/425
- Notified Body Witness tested to the requirements of PD CEN/TS16415:2013 for 3 persons
- Exceeds the requirements of IRATA ICOP & BS7985 (15kN MBL)
- Tested to and meets the requirements of ANSI Z359.18.2017 for 2 persons.

## Materials & Finishes

- Frame and beam - 6082 T6 Aluminium alloy. Anodised.
- Castors - Steel. Bright Zinc Plated.
- Castor Wheels & Rollers - Aluminium & Polyurethane
- Fixings - Steel. Grade 12.9. Bright Zinc Plated.

Note: Master Link Trolleys shown in system as a reference



Approved

DO NOT SCALE DRAWING

REVISION **02**

**REID**  
**LIFTING**

[www.reidlifting.com](http://www.reidlifting.com)

Reid Lifting Limited. Unit 1  
Wyeview, Newhouse Farm Ind. Est.,  
Chepstow, Monmouthshire.  
NP16 6UD, UK

Tel +44(0)1291 620796  
Fax: +44(0)1291 626490

[enquiries@reidlifting.com](mailto:enquiries@reidlifting.com)

	NAME	DATE
DRAWN	SS	07/06/2021
CHK'D		
APPR'D	CM	10/03/2023

UNLESS OTHERWISE SPECIFIED:  
DIMENSIONS ARE IN MILLIMETERS

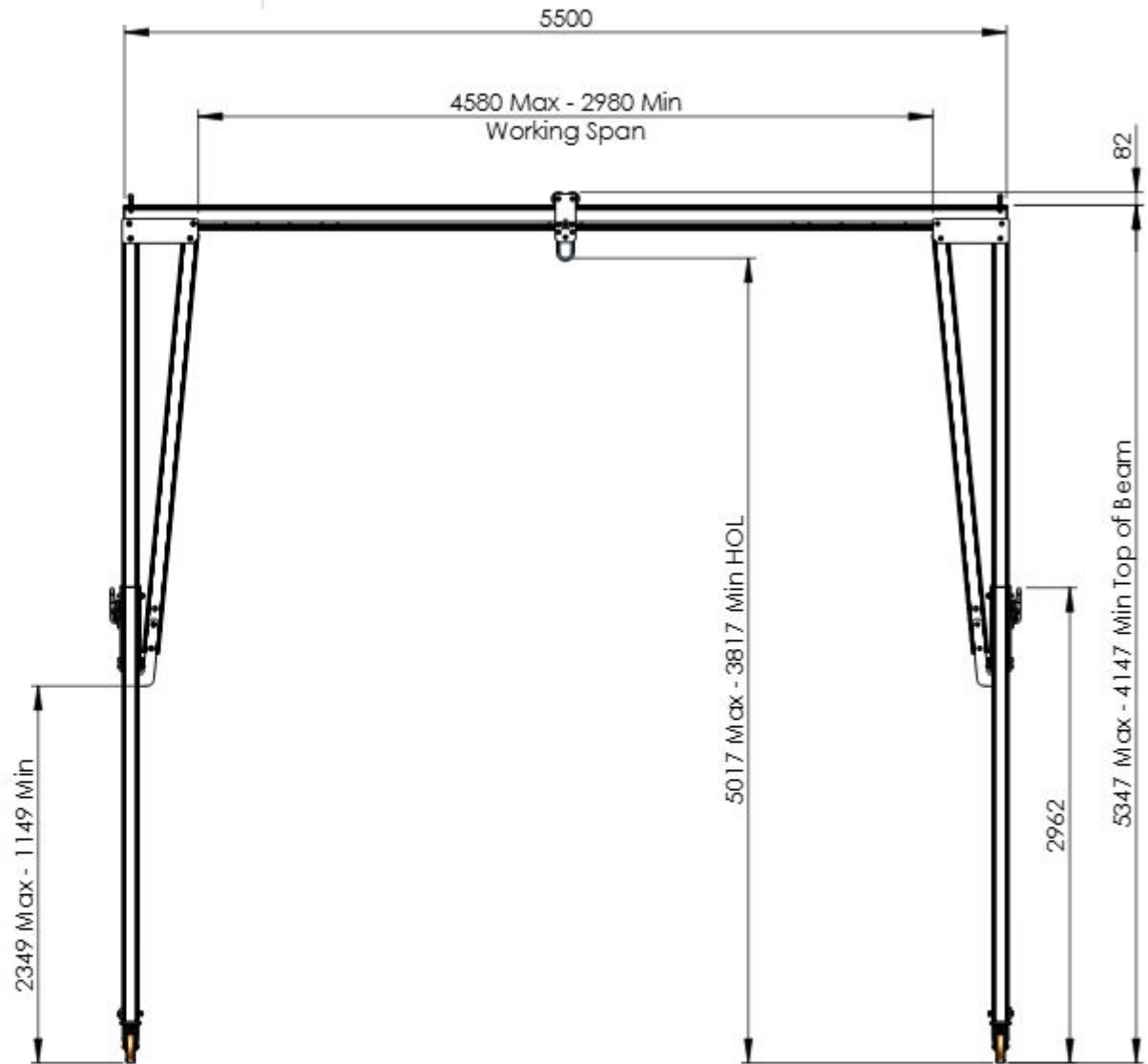
ALL COPYRIGHT AND DESIGN RIGHT SUBSISTING IN THIS DOCUMENT IS THE PROPERTY OF REID LIFTING LIMITED AND MAY NOT BE REPRODUCED WITHOUT REID LIFTING'S CONSENT. THIS DOCUMENT AND THE INFORMATION CONTAINED WITHIN IT IS CONFIDENTIAL AND MAY NOT BE DISCLOSED TO ANY THIRD PARTY NOR USED FOR ANY UNAUTHORISED PURPOSE WITHOUT REID LIFTING'S CONSENT



TITLE: **General Arrangement of REID Lifting Porta-Gantry Size TC3 - 4570mm Beam WLL1000kg**

DWG NO. **PGSS01000TC3-4570A** A4

Estimated Weight: 215kg 1:50 SHEET 2 OF 2



DO NOT SCALE DRAWING

REVISION **02**



Reid Lifting Limited. Unit 1  
Wyeview, Newhouse Farm Ind. Est.,  
Chepstow, Monmouthshire,  
NP16 6UD, UK

Tel +44(0) 1291 620796  
Fax +44(0) 1291 626490

[www.reidlifting.com](http://www.reidlifting.com)

[enquiries@reidlifting.com](mailto:enquiries@reidlifting.com)

	NAME	DATE	FINISH:
DRAWN	SS	07/06/2021	Anodised
CHK'D			MATERIAL:
APPR'D	CM	10/03/2023	Aluminium Alloy
<small>ALL COPYRIGHT AND DESIGN RIGHT SUBSISTING IN THIS DOCUMENT IS THE PROPERTY OF REID LIFTING LIMITED AND MAY NOT BE REPRODUCED WITHOUT REID LIFTING'S CONSENT. THIS DOCUMENT AND THE INFORMATION CONTAINED WITHIN IT IS CONFIDENTIAL AND MAY NOT BE DISCLOSED TO ANY THIRD PARTY NOR USED FOR ANY UNAUTHORISED PURPOSE WITHOUT REID LIFTING'S CONSENT</small>			
<small>UNLESS OTHERWISE SPECIFIED: DIMENSIONS ARE IN MILLIMETERS</small>			



TITLE: **General Arrangement of REID Lifting Porta-Gantry Size TC3 - 5500mm Beam WLL1000kg**

DWG NO. **PGSS01000TC3-5500A** A4

Estimated Weight: 222kg

1:45

SHEET 1 OF 2

## General Specification

- Maximum rated capacity for goods lifting - 1000kg
- Maximum rated capacity for personnel lifting - 500kg
- Beam deflection at maximum rated capacity of 1000kg - between 42-52mm at centre of span
- Maximum castor surface pressure at full load - 24.57 MPa
- Assembled gantry weight (excluding trolleys) - 222kg
- All welding to BS EN ISO 15614-2: 2005 by certified welders.
- For further details and assembly information refer to Operations and Maintenance Manual for Porta Gantry Product. (available at [www.reidlifting.com](http://www.reidlifting.com))

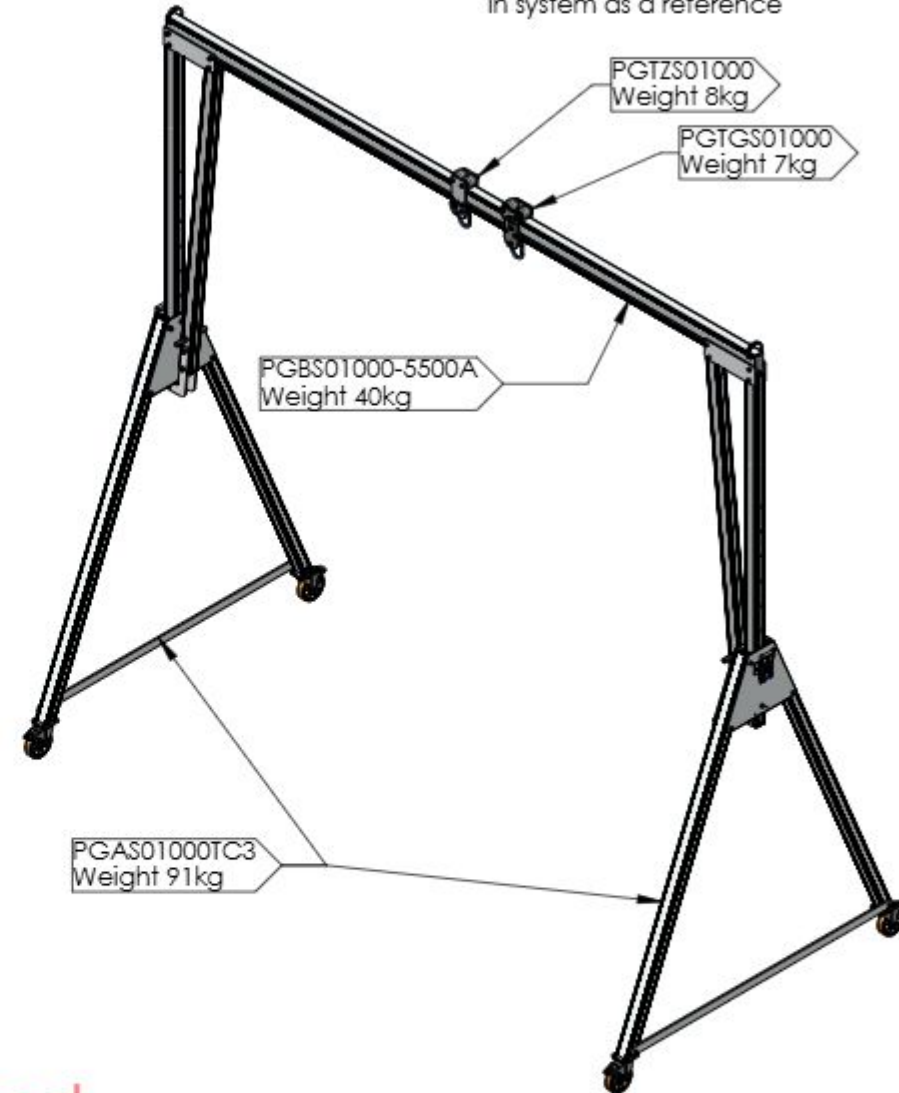
## Fall Protection Standards

- Certified to EN795:2012 Type B & supplied under PPE Regulation 2016/425
- Notified Body Witness tested to the requirements of PD CEN/TS16415:2013 for 3 persons
- Exceeds the requirements of IRATA ICOP & BS7985 (15kN MBL)

## Materials & Finishes

- Frame and beam - 6082 T6 Aluminium alloy. Anodised.
- Castors - Steel. Bright Zinc Plated.
- Castor Wheels & Rollers - Aluminium & Polyurethane
- Fixings - Steel. Grade 12:9. Bright Zinc Plated.

Note: Master Link Trolleys shown in system as a reference



Approved

DO NOT SCALE DRAWING

REVISION **02**



Reid Lifting Limited. Unit 1  
Wyeview, Newhouse Farm Ind. Est.,  
Chepstow, Monmouthshire.  
NP16 6UD, UK

Tel +44(0)1291 620796  
Fax: +44(0)1291 626490

[www.reidlifting.com](http://www.reidlifting.com)

[enquiries@reidlifting.com](mailto:enquiries@reidlifting.com)

	NAME	DATE
DRAWN	SS	07/06/2021
CHK'D		
APPR'D	CM	10/03/2023

UNLESS OTHERWISE SPECIFIED:  
DIMENSIONS ARE IN MILLIMETERS

ALL COPYRIGHT AND DESIGN RIGHT SUBSISTING IN THIS DOCUMENT IS THE PROPERTY OF REID LIFTING LIMITED AND MAY NOT BE REPRODUCED WITHOUT REID LIFTING'S CONSENT. THIS DOCUMENT AND THE INFORMATION CONTAINED WITHIN IT IS CONFIDENTIAL AND MAY NOT BE DISCLOSED TO ANY THIRD PARTY NOR USED FOR ANY UNAUTHORISED PURPOSE WITHOUT REID LIFTING'S CONSENT



TITLE:

**General Arrangement of REID Lifting Porta-Gantry Size TC3 - 5500mm Beam WLL1000kg**

DWG NO.

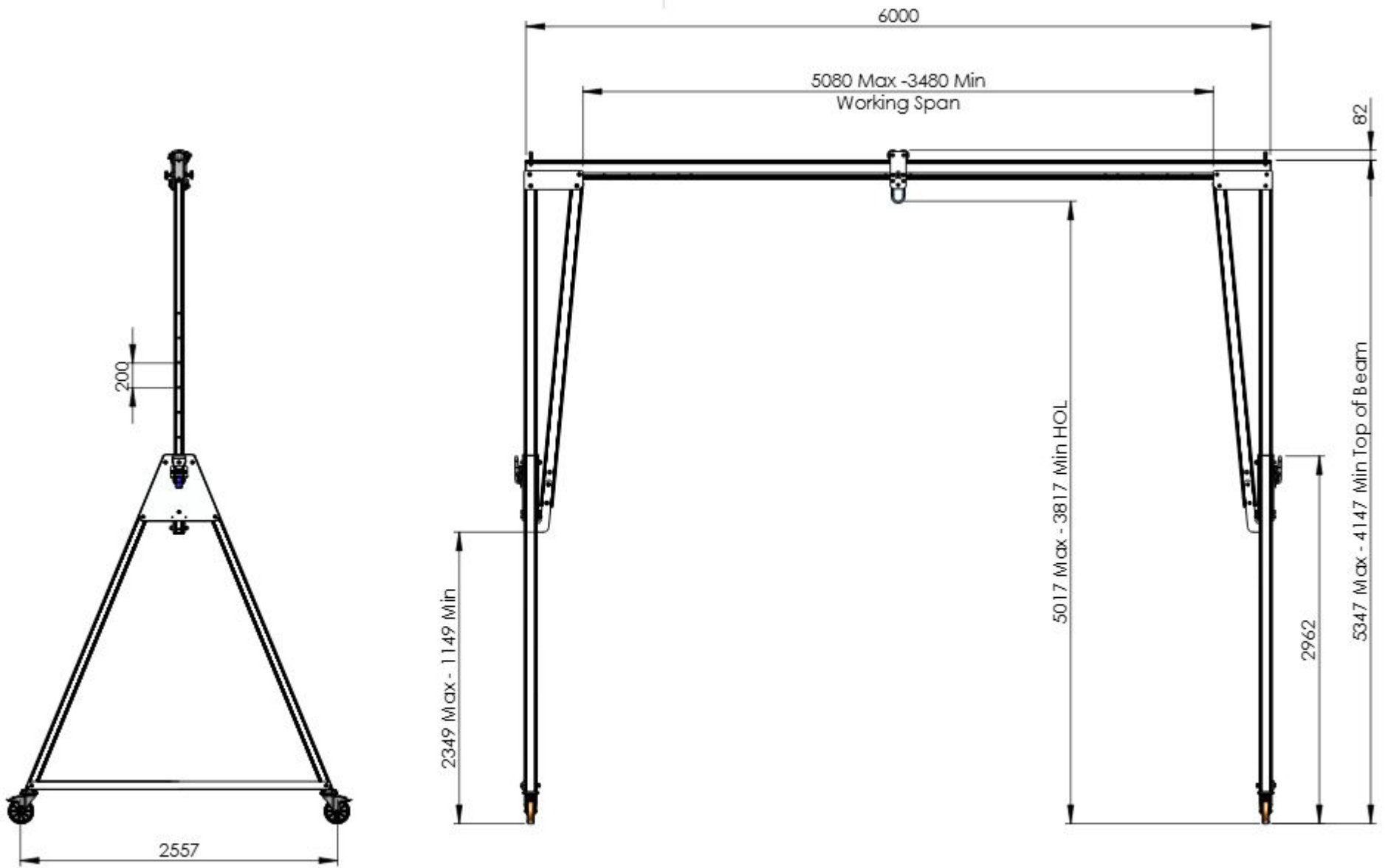
**PGSS01000TC3-5500A**

A4

Estimated Weight: 222kg

1:50

SHEET 2 OF 2



DO NOT SCALE DRAWING

REVISION **02**



Reid Lifting Limited. Unit 1  
Wyeview, Newhouse Farm Ind. Est.,  
Chepstow, Monmouthshire.  
NP16 6UD, UK

Tel +44(0) 1291 620796  
Fax +44(0) 1291 626490

[www.reidlifting.com](http://www.reidlifting.com)

[enquiries@reidlifting.com](mailto:enquiries@reidlifting.com)

	NAME	DATE	FINISH:
DRAWN	SS	07/06/2021	Anodised
CHK'D			MATERIAL:
APPR'D	CM	10/03/2023	Aluminium Alloy
<small>ALL COPYRIGHT AND DESIGN RIGHT SUBSISTING IN THIS DOCUMENT IS THE PROPERTY OF REID LIFTING LIMITED AND MAY NOT BE REPRODUCED WITHOUT REID LIFTING'S CONSENT. THIS DOCUMENT AND THE INFORMATION CONTAINED WITHIN IT IS CONFIDENTIAL AND MAY NOT BE DISCLOSED TO ANY THIRD PARTY NOR USED FOR ANY UNAUTHORISED PURPOSE WITHOUT REID LIFTING'S CONSENT</small>			
<small>UNLESS OTHERWISE SPECIFIED: DIMENSIONS ARE IN MILLIMETERS</small>			



TITLE: **General Arrangement of REID Lifting Porta-Gantry Size TC3 - 6000mm Beam WLL1000kg**

DWG NO. **PGSS01000TC3-6000A** A4

Estimated Weight: 226kg 1:45 SHEET 1 OF 2

## General Specification

- Maximum rated capacity for goods lifting - 1000kg
- Maximum rated capacity for personnel lifting - 500kg
- Beam deflection at maximum rated capacity of 1000kg - between 45-55mm at centre of span
- Maximum castor surface pressure at full load - 24.61 MPa
- Assembled gantry weight (excluding trolleys) - 226kg
- All welding to BS EN ISO 15614-2: 2005 by certified welders.
- For further details and assembly information refer to Operations and Maintenance Manual for Porta Gantry Product. (available at [www.reidlifting.com](http://www.reidlifting.com))

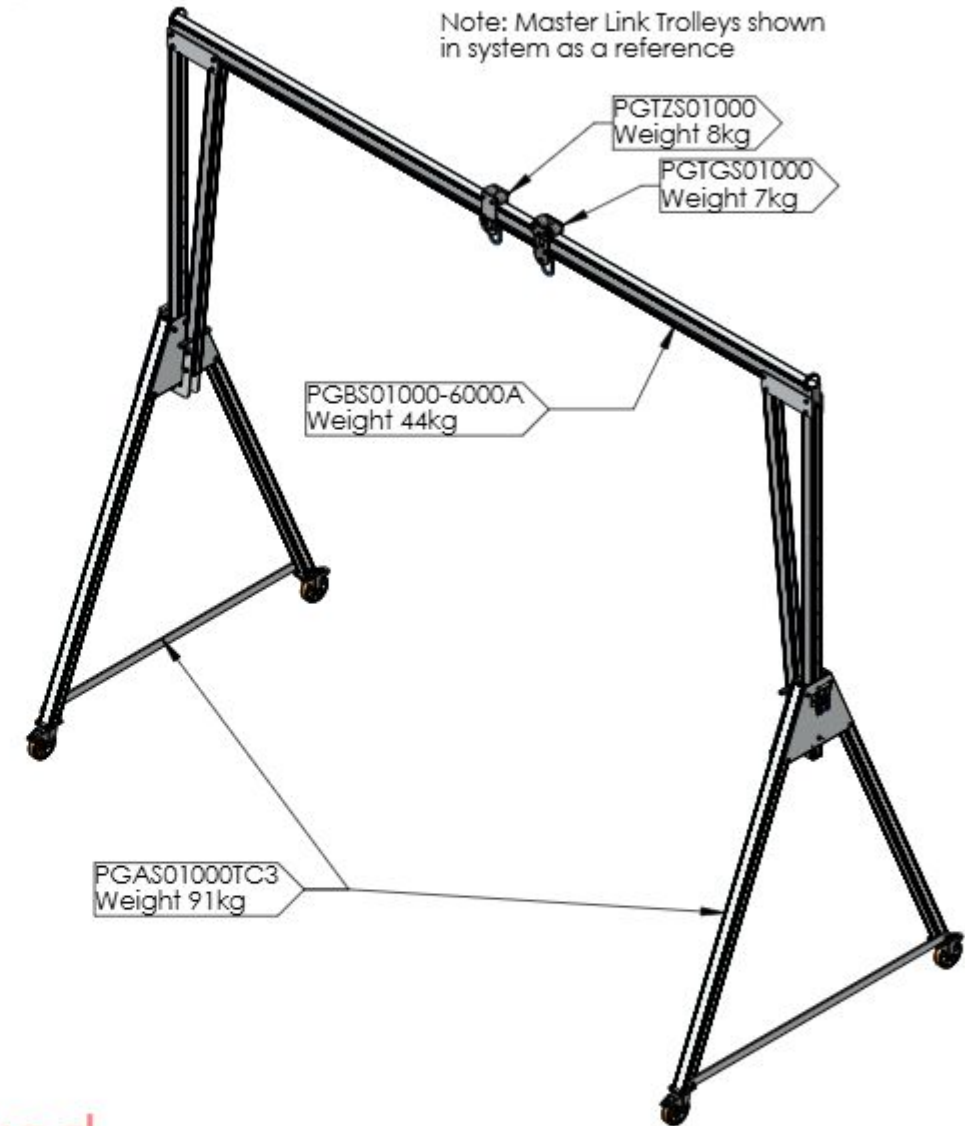
## Fall Protection Standards

- Certified to EN795:2012 Type B & supplied under PPE Regulation 2016/425
- Notified Body Witness tested to the requirements of PD CEN/TS16415:2013 for 3 persons
- Exceeds the requirements of IRATA ICOP & BS7985 (15kN MBL)

## Materials & Finishes

- Frame and beam - 6082 T6 Aluminium alloy. Anodised.
- Castors - Steel. Bright Zinc Plated.
- Castor Wheels & Rollers - Aluminium & Polyurethane
- Fixings - Steel. Grade 12:9. Bright Zinc Plated.

Note: Master Link Trolleys shown in system as a reference



Approved

DO NOT SCALE DRAWING

REVISION **02**

**REID**  
**LIFTING**

[www.reidlifting.com](http://www.reidlifting.com)

Reid Lifting Limited. Unit 1  
Wyeview, Newhouse Farm Ind. Est.,  
Chepstow, Monmouthshire.  
NP16 6UD, UK

Tel +44(0)1291 620796  
Fax: +44(0)1291 626490

[enquiries@reidlifting.com](mailto:enquiries@reidlifting.com)

	NAME	DATE
DRAWN	SS	07/06/2021
CHK'D		
APPR'D	CM	10/03/2023

UNLESS OTHERWISE SPECIFIED:  
DIMENSIONS ARE IN MILLIMETERS

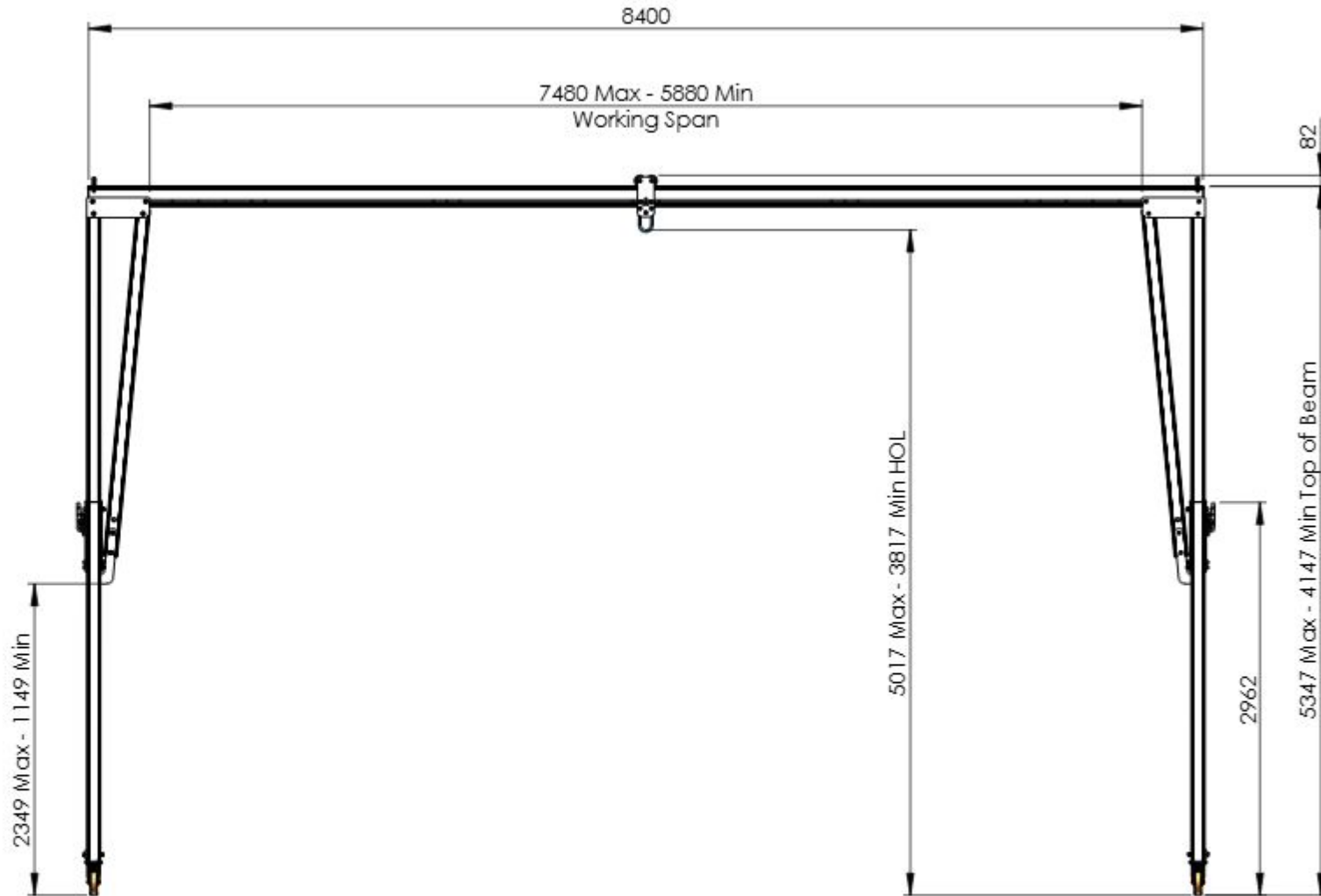
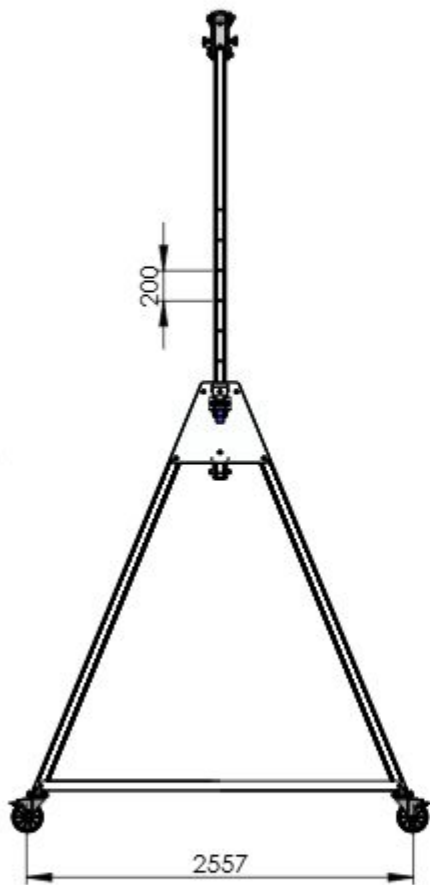
ALL COPYRIGHT AND DESIGN RIGHT SUBSISTING IN THIS DOCUMENT IS THE PROPERTY OF REID LIFTING LIMITED AND MAY NOT BE REPRODUCED WITHOUT REID LIFTING'S CONSENT. THIS DOCUMENT AND THE INFORMATION CONTAINED WITHIN IT IS CONFIDENTIAL AND MAY NOT BE DISCLOSED TO ANY THIRD PARTY NOR USED FOR ANY UNAUTHORISED PURPOSE WITHOUT REID LIFTING'S CONSENT



TITLE: **General Arrangement of REID Lifting Porta-Gantry Size TC3 - 6000mm Beam WLL1000kg**

DWG NO. **PGSS01000TC3-6000A** **A4**

Estimated Weight: 222kg 1:50 SHEET 2 OF 2



DO NOT SCALE DRAWING

REVISION **02**



Reid Lifting Limited. Unit 1  
Wyeview, Newhouse Farm Ind. Est.,  
Chepstow, Monmouthshire.  
NP16 6UD, UK

Tel +44(0) 1291 620796  
Fax +44(0) 1291 626490

[www.reidlifting.com](http://www.reidlifting.com)

[enquiries@reidlifting.com](mailto:enquiries@reidlifting.com)

	NAME	DATE	FINISH:
DRAWN	SS	08/06/2021	Anodised
CHK'D			MATERIAL:
APPR'D	CM	10/03/2023	Aluminium Alloy
<small>ALL COPYRIGHT AND DESIGN RIGHT SUBSISTING IN THIS DOCUMENT IS THE PROPERTY OF REID LIFTING LIMITED AND MAY NOT BE REPRODUCED WITHOUT REID LIFTING'S CONSENT. THIS DOCUMENT AND THE INFORMATION CONTAINED WITHIN IT IS CONFIDENTIAL AND MAY NOT BE DISCLOSED TO ANY THIRD PARTY NOR USED FOR ANY UNAUTHORISED PURPOSE WITHOUT REID LIFTING'S CONSENT</small>			
<small>UNLESS OTHERWISE SPECIFIED: DIMENSIONS ARE IN MILLIMETERS</small>			



TITLE: **General Arrangement of REID Lifting Porta-Gantry Size TC3 - 8400mm Beam WLL1000kg**

DWG NO. **PGSS01000TC3-8400B** A4

Estimated Weight: 260kg

1:50

SHEET 1 OF 2

## General Specification

- Maximum rated capacity for goods lifting - 1000kg
- Maximum rated capacity for personnel lifting - 500kg
- Beam deflection at maximum rated capacity of 1000kg - between 110-120mm at centre of span
- Maximum castor surface pressure at full load - 24.99 MPa
- Assembled gantry weight (excluding trolleys) - 260kg
- All welding to BS EN ISO 15614-2: 2005 by certified welders.
- For further details and assembly information refer to Operations and Maintenance Manual for Porta Gantry Product. (available at [www.reidlifting.com](http://www.reidlifting.com))

## Fall Protection Standards

- Certified to EN795:2012 Type B & supplied under PPE Regulation 2016/425
- Notified Body Witness tested to the requirements of PD CEN/TS16415:2013 for 3 persons
- Exceeds the requirements of IRATA ICOP & BS7985 (15kN MBL)

## Materials & Finishes

- Frame and beam - 6082 T6 Aluminium alloy. Anodised.
- Castors - Steel. Bright Zinc Plated.
- Castor Wheels & Rollers - Aluminium & Polyurethane
- Fixings - Steel. Grade 12:9. Bright Zinc Plated.



Approved

DO NOT SCALE DRAWING

REVISION **02**



Reid Lifting Limited. Unit 1  
Wyeview, Newhouse Farm Ind. Est.,  
Chepstow, Monmouthshire.  
NP16 6UD, UK

Tel +44(0)1291 620796  
Fax: +44(0)1291 626490

[www.reidlifting.com](http://www.reidlifting.com)

[enquiries@reidlifting.com](mailto:enquiries@reidlifting.com)

	NAME	DATE
DRAWN	SS	08/06/2021
CHK'D		
APPR'D	CM	10/03/2023

UNLESS OTHERWISE SPECIFIED:  
DIMENSIONS ARE IN MILLIMETERS

ALL COPYRIGHT AND DESIGN RIGHT SUBSISTING IN THIS DOCUMENT IS THE PROPERTY OF REID LIFTING LIMITED AND MAY NOT BE REPRODUCED WITHOUT REID LIFTING'S CONSENT. THIS DOCUMENT AND THE INFORMATION CONTAINED WITHIN IT IS CONFIDENTIAL AND MAY NOT BE DISCLOSED TO ANY THIRD PARTY NOR USED FOR ANY UNAUTHORISED PURPOSE WITHOUT REID LIFTING'S CONSENT



TITLE:

**General Arrangement of REID Lifting Porta-Gantry Size TC3 - 8400mm Beam WLL1000kg**

DWG NO.

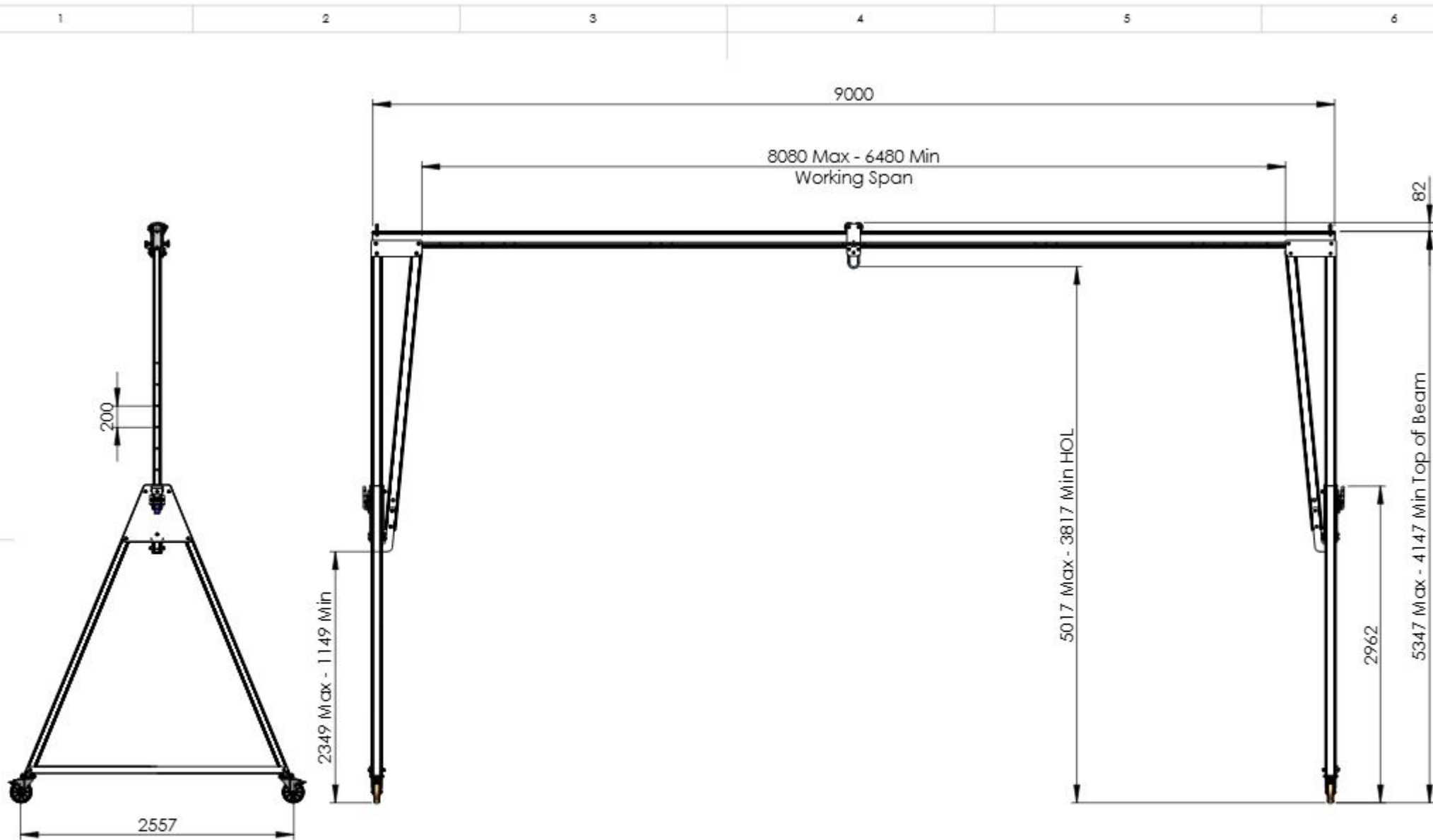
**PGSS01000TC3-8400B**

A4

Estimated Weight: 260kg

1:55

SHEET 2 OF 2



DO NOT SCALE DRAWING

REVISION

02



Reid Lifting Limited. Unit 1  
Wyeview, Newhouse Farm Ind. Est.,  
Chepstow, Monmouthshire,  
NP16 6UD, UK

Tel +44(0) 1291 620796  
Fax +44(0) 1291 626490

[www.reidlifting.com](http://www.reidlifting.com)

[enquiries@reidlifting.com](mailto:enquiries@reidlifting.com)

	NAME	DATE	FINISH:
DRAWN	SS	08/06/2021	Anodised
CHK'D			MATERIAL:
APPR'D	CM	10/03/2023	Aluminium Alloy
<small>ALL COPYRIGHT AND DESIGN RIGHT SUBSISTING IN THIS DOCUMENT IS THE PROPERTY OF REID LIFTING LIMITED AND MAY NOT BE REPRODUCED WITHOUT REID LIFTING'S CONSENT. THIS DOCUMENT AND THE INFORMATION CONTAINED WITHIN IT IS CONFIDENTIAL AND MAY NOT BE DISCLOSED TO ANY THIRD PARTY NOR USED FOR ANY UNAUTHORISED PURPOSE WITHOUT REID LIFTING'S CONSENT</small>			
<small>UNLESS OTHERWISE SPECIFIED: DIMENSIONS ARE IN MILLIMETERS</small>			



TITLE:

**General Arrangement of REID  
Lifting Porta-Gantry Size TC3 -  
9000mm Beam WLL1000kg**

DWG NO.

**PGSS01000TC3-9000B**

A4

Estimated Weight: 266kg

1:50

SHEET 1 OF 2

## General Specification

- Maximum rated capacity for goods lifting - 1000kg
- Maximum rated capacity for personnel lifting - 500kg
- Beam deflection at maximum rated capacity of 1000kg - between 125-140mm at centre of span
- Maximum castor surface pressure at full load - 25.05 MPa
- Assembled gantry weight (excluding trollies) - 266kg
- All welding to BS EN ISO 15614-2: 2005 by certified welders.
- For further details and assembly information refer to Operations and Maintenance Manual for Porta Gantry Product. (available at [www.reidlifting.com](http://www.reidlifting.com))

## Fall Protection Standards

- Certified to EN795:2012 Type B & supplied under PPE Regulation 2016/425
- Notified Body Witness tested to the requirements of PD CEN/TS16415:2013 for 3 persons
- Exceeds the requirements of IRATA ICOP & BS7985 (15kN MBL)

## Materials & Finishes

- Frame and beam - 6082 T6 Aluminium alloy. Anodised.
- Castors - Steel. Bright Zinc Plated.
- Castor Wheels & Rollers - Aluminium & Polyurethane
- Fixings - Steel. Grade 12:9. Bright Zinc Plated.

Note: Master Link Trolleys shown in system as a reference



Approved

DO NOT SCALE DRAWING

REVISION

02



Reid Lifting Limited. Unit 1  
Wyeview, Newhouse Farm Ind. Est.,  
Chepstow, Monmouthshire.  
NP16 6UD, UK

Tel +44(0)1291 620796  
Fax: +44(0)1291 626490

[www.reidlifting.com](http://www.reidlifting.com)

[enquiries@reidlifting.com](mailto:enquiries@reidlifting.com)

	NAME	DATE
DRAWN	SS	08/06/2021
CHK'D		
APPR'D	CM	10/03/2023

UNLESS OTHERWISE SPECIFIED:  
DIMENSIONS ARE IN MILLIMETERS

ALL COPYRIGHT AND DESIGN RIGHT SUBSISTING IN THIS DOCUMENT IS THE PROPERTY OF REID LIFTING LIMITED AND MAY NOT BE REPRODUCED WITHOUT REID LIFTING'S CONSENT. THIS DOCUMENT AND THE INFORMATION CONTAINED WITHIN IT IS CONFIDENTIAL AND MAY NOT BE DISCLOSED TO ANY THIRD PARTY NOR USED FOR ANY UNAUTHORIZED PURPOSE WITHOUT REID LIFTING'S CONSENT



TITLE:

General Arrangement of REID Lifting Porta-Gantry Size TC3 - 9000mm Beam WLL1000kg

DWG NO.

PGSS01000TC3-9000B

A4

Estimated Weight:

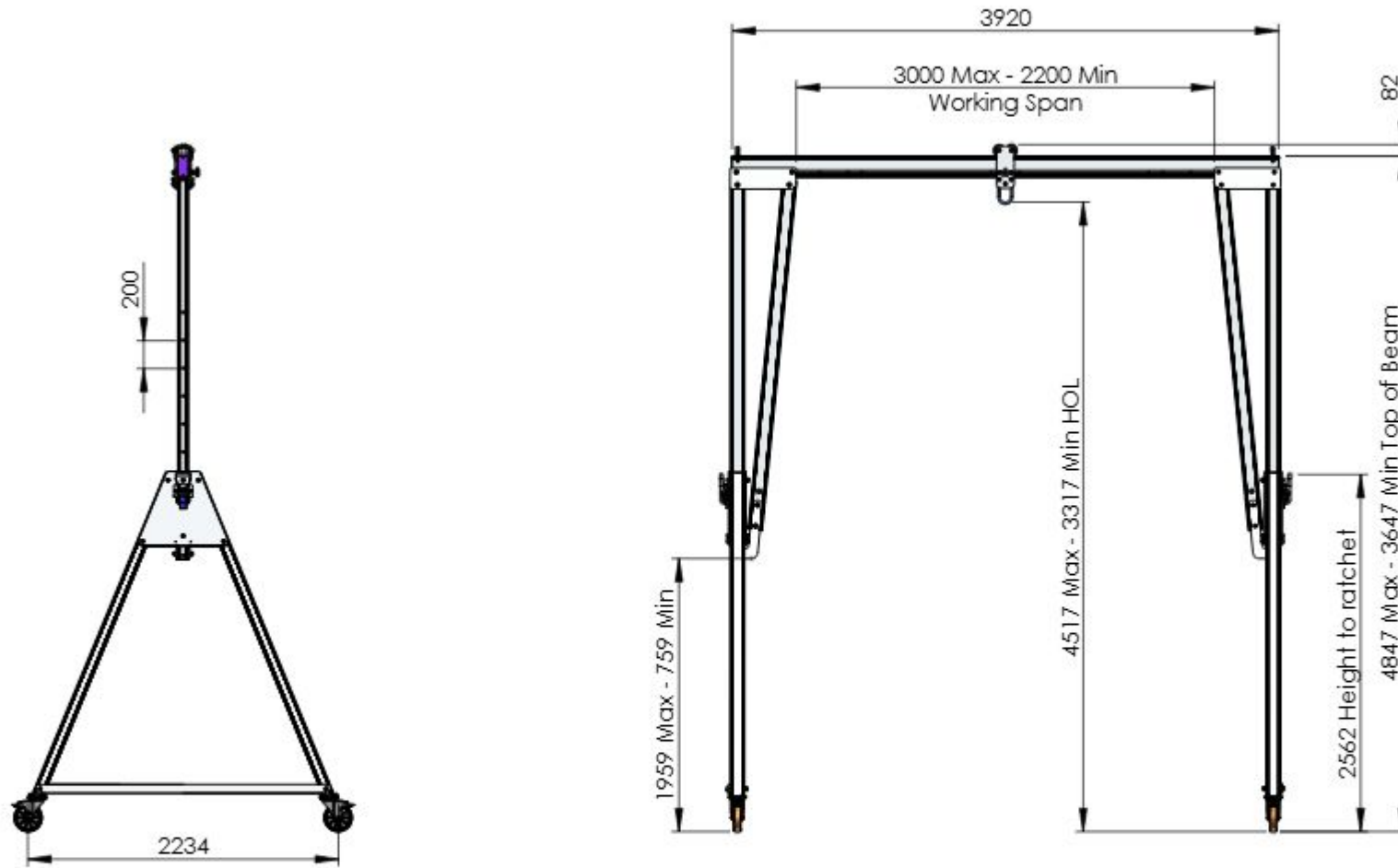
266kg

1:55

SHEET 2 OF 2



To ensure the stability of the structure, the working span of the beam must be equal to or greater than the distance between castors on the A-frame



DO NOT SCALE DRAWING

REVISION **02**



Reid Lifting Limited. Unit 1  
Wyeview, Newhouse Farm Ind. Est.,  
Chepstow, Monmouthshire.  
NP16 6UD, UK

Tel +44(0) 1291 620796  
Fax +44(0) 1291 626490

[www.reidlifting.com](http://www.reidlifting.com)

[enquiries@reidlifting.com](mailto:enquiries@reidlifting.com)

	NAME	DATE	FINISH:
DRAWN	TB	20/05/2021	Anodised
CHK'D			MATERIAL:
APPR'D	CM	10/03/2023	Aluminium Alloy
<small>ALL COPYRIGHT AND DESIGN RIGHT SUBSISTING IN THIS DOCUMENT IS THE PROPERTY OF REID LIFTING LIMITED AND MAY NOT BE REPRODUCED WITHOUT REID LIFTING'S CONSENT. THIS DOCUMENT AND THE INFORMATION CONTAINED WITHIN IT IS CONFIDENTIAL AND MAY NOT BE DISCLOSED TO ANY THIRD PARTY NOR USED FOR ANY UNAUTHORISED PURPOSE WITHOUT REID LIFTING'S CONSENT</small>			
<small>UNLESS OTHERWISE SPECIFIED: DIMENSIONS ARE IN MILLIMETERS</small>			



TITLE: **General Arrangement of REID Lifting Porta-Gantry Size TC4 - 3920mm Beam WLL1000kg**

DWG NO. **PGSS01000TC4-3920A** A4

Estimated Weight: 201 kg 1:50 SHEET 1 OF 2

## General Specification

- Maximum rated capacity for goods lifting - 1000kg
- Maximum rated capacity for personnel lifting - 500kg
- Beam deflection at maximum rated capacity of 1000kg - 15-20 mm at centre of span
- Maximum castor surface pressure at full load - 24.34 MPa
- Assembled gantry weight (excluding trollies) - 201kg
- All welding to BS EN ISO 15614-2: 2005 by certified welders.
- For further details and assembly information refer to Operations and Maintenance Manual for Porta Gantry Product. (available at [www.reidlifting.com](http://www.reidlifting.com))

## Fall Protection Standards

- Certified to EN795:2012 Type B & supplied under PPE Regulation 2016/425
- Notified Body Witness tested to the requirements of PD CEN/TS16415:2013 for 3 persons
- Exceeds the requirements of IRATA ICOP & BS7985 (15kN MBL)
- Tested to and meets the requirements of ANSI Z359.18.2017 for 2 persons.

## Materials & Finishes

- Frame and beam - 6082 T6 Aluminium alloy. Anodised.
- Castors - Steel. Bright Zinc Plated.
- Castor Wheels & Rollers - Aluminium & Polyurethane
- Fixings - Steel. Grade 12.9. Bright Zinc Plated.



Approved

DO NOT SCALE DRAWING

REVISION **02**



Reid Lifting Limited. Unit 1  
Wyeview, Newhouse Farm Ind. Est.,  
Chepstow, Monmouthshire.  
NP16 6UD, UK

Tel +44(0)1291 620796  
Fax: +44(0)1291 626490

[www.reidlifting.com](http://www.reidlifting.com)

[enquiries@reidlifting.com](mailto:enquiries@reidlifting.com)

	NAME	DATE
DRAWN	TB	20/05/2021
CHK'D		
APP'VD	CM	10/03/2023

UNLESS OTHERWISE SPECIFIED:  
DIMENSIONS ARE IN MILLIMETERS

ALL COPYRIGHT AND DESIGN RIGHT SUBSISTING IN THIS DOCUMENT IS THE PROPERTY OF REID LIFTING LIMITED AND MAY NOT BE REPRODUCED WITHOUT REID LIFTING'S CONSENT. THIS DOCUMENT AND THE INFORMATION CONTAINED WITHIN IT IS CONFIDENTIAL AND MAY NOT BE DISCLOSED TO ANY THIRD PARTY NOR USED FOR ANY UNAUTHORISED PURPOSE WITHOUT REID LIFTING'S CONSENT



TITLE: **General Arrangement of REID Lifting Porta-Gantry Size TC4 - 3920mm Beam WLL1000kg**

DWG NO. **PGSS01000TC4-3920A**

A4

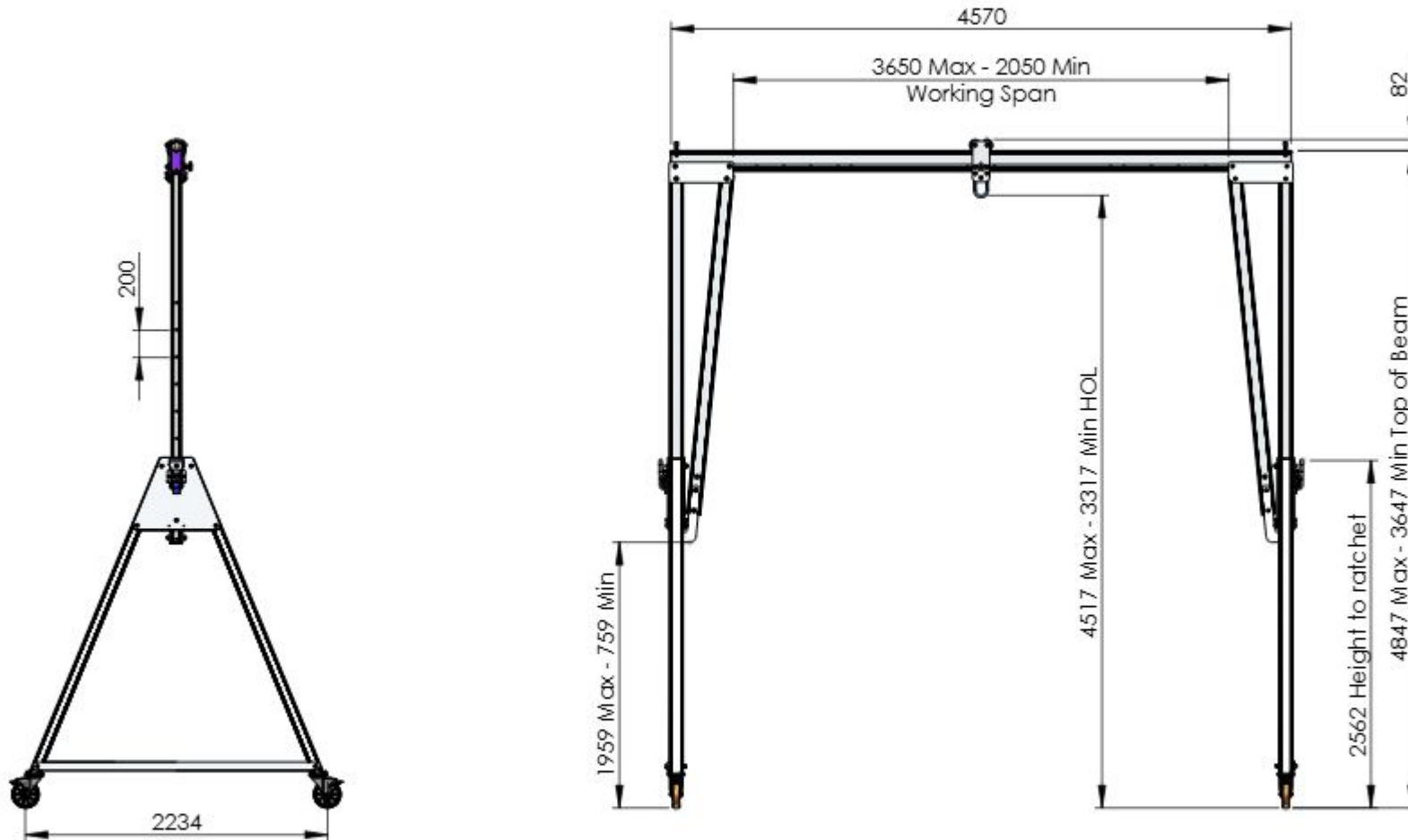
Estimated Weight: 201 kg

1:50

SHEET 2 OF 2



To ensure the stability of the structure, the working span of the beam must be equal to or greater than the distance between castors on the A-frame



DO NOT SCALE DRAWING

REVISION **02**



Reid Lifting Limited. Unit 1  
Wyeview, Newhouse Farm Ind. Est.,  
Chepstow, Monmouthshire,  
NP16 6UD, UK

Tel +44(0) 1291 620796  
Fax +44(0) 1291 626490

[www.reidlifting.com](http://www.reidlifting.com)

[enquiries@reidlifting.com](mailto:enquiries@reidlifting.com)

	NAME	DATE	FINISH:
DRAWN	TB	19/05/2021	Anodised
CHK'D			MATERIAL:
APPR'D	CM	10/03/2023	Aluminium Alloy
<small>ALL COPYRIGHT AND DESIGN RIGHT SUBSISTING IN THIS DOCUMENT IS THE PROPERTY OF REID LIFTING LIMITED AND MAY NOT BE REPRODUCED WITHOUT REID LIFTING'S CONSENT. THIS DOCUMENT AND THE INFORMATION CONTAINED WITHIN IT IS CONFIDENTIAL AND MAY NOT BE DISCLOSED TO ANY THIRD PARTY NOR USED FOR ANY UNAUTHORISED PURPOSE WITHOUT REID LIFTING'S CONSENT.</small>			
<small>UNLESS OTHERWISE SPECIFIED: DIMENSIONS ARE IN MILLIMETERS</small>			



TITLE: **General Arrangement of REID Lifting Porta-Gantry Size TC4 - 4570mm Beam WLL1000kg**

DWG NO. **PGSS01000TC4-4570A** A4

Estimated Weight: 205 kg 1:50 SHEET 1 OF 2

## General Specification

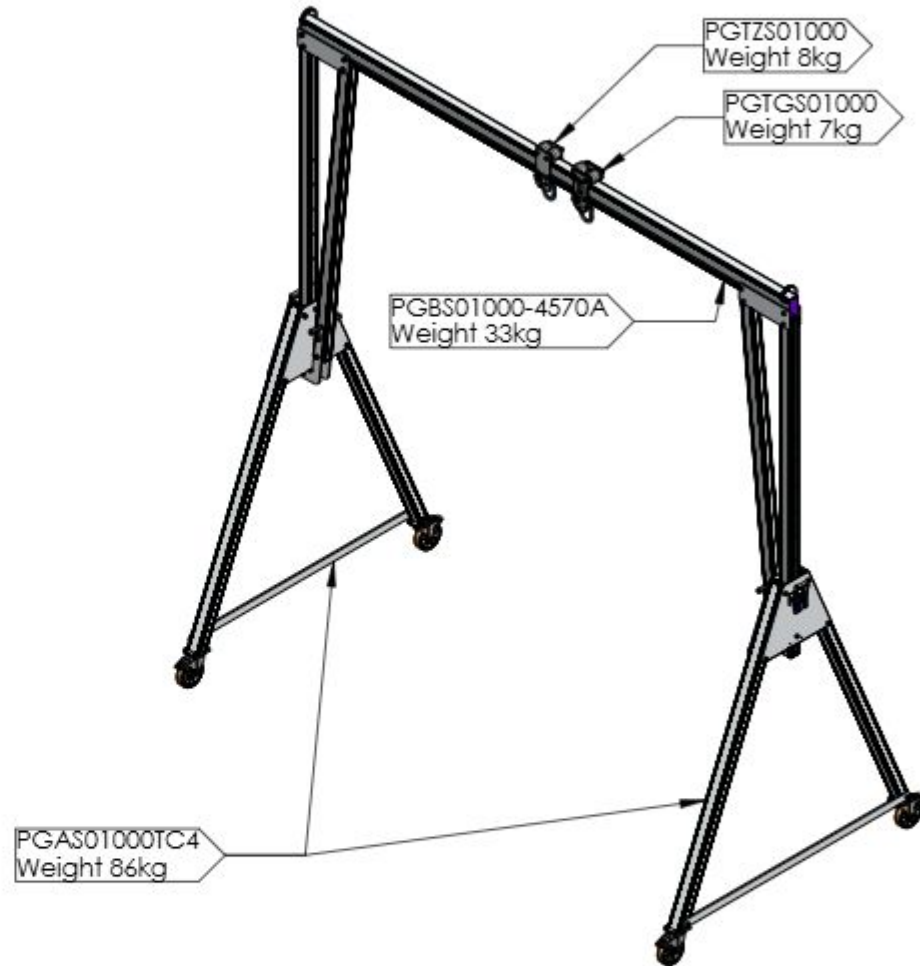
- Maximum rated capacity for goods lifting - 1000kg
- Maximum rated capacity for personnel lifting - 500kg
- Beam deflection at maximum rated capacity of 1000kg - 20-30 mm at centre of span
- Maximum castor surface pressure at full load - 24.39 MPa
- Assembled gantry weight (excluding trollies) - 205kg
- All welding to BS EN ISO 15614-2: 2005 by certified welders.
- For further details and assembly information refer to Operations and Maintenance Manual for Porta Gantry Product. (available at [www.reidlifting.com](http://www.reidlifting.com))

## Fall Protection Standards

- Certified to EN795:2012 Type B & supplied under PPE Regulation 2016/425
- Notified Body Witness tested to the requirements of PD CEN/TS16415:2013 for 3 persons
- Exceeds the requirements of IRATA ICOP & BS7985 (15kN MBL)
- Tested to and meets the requirements of ANSI Z359.18.2017 for 2 persons.

## Materials & Finishes

- Frame and beam - 6082 T6 Aluminium alloy. Anodised.
- Castors - Steel. Bright Zinc Plated.
- Castor Wheels & Rollers - Aluminium & Polyurethane
- Fixings - Steel. Grade 12.9. Bright Zinc Plated.



Approved

DO NOT SCALE DRAWING

REVISION **02**



Reid Lifting Limited. Unit 1  
Wyeview, Newhouse Farm Ind. Est.,  
Chepstow, Monmouthshire.  
NP16 6UD, UK

Tel +44(0)1291 620796  
Fax: +44(0)1291 626490

[www.reidlifting.com](http://www.reidlifting.com)

[enquiries@reidlifting.com](mailto:enquiries@reidlifting.com)

	NAME	DATE
DRAWN	TB	19/05/2021
CHK'D		
APPR'D	CM	10/03/2023

UNLESS OTHERWISE SPECIFIED:  
DIMENSIONS ARE IN MILLIMETERS

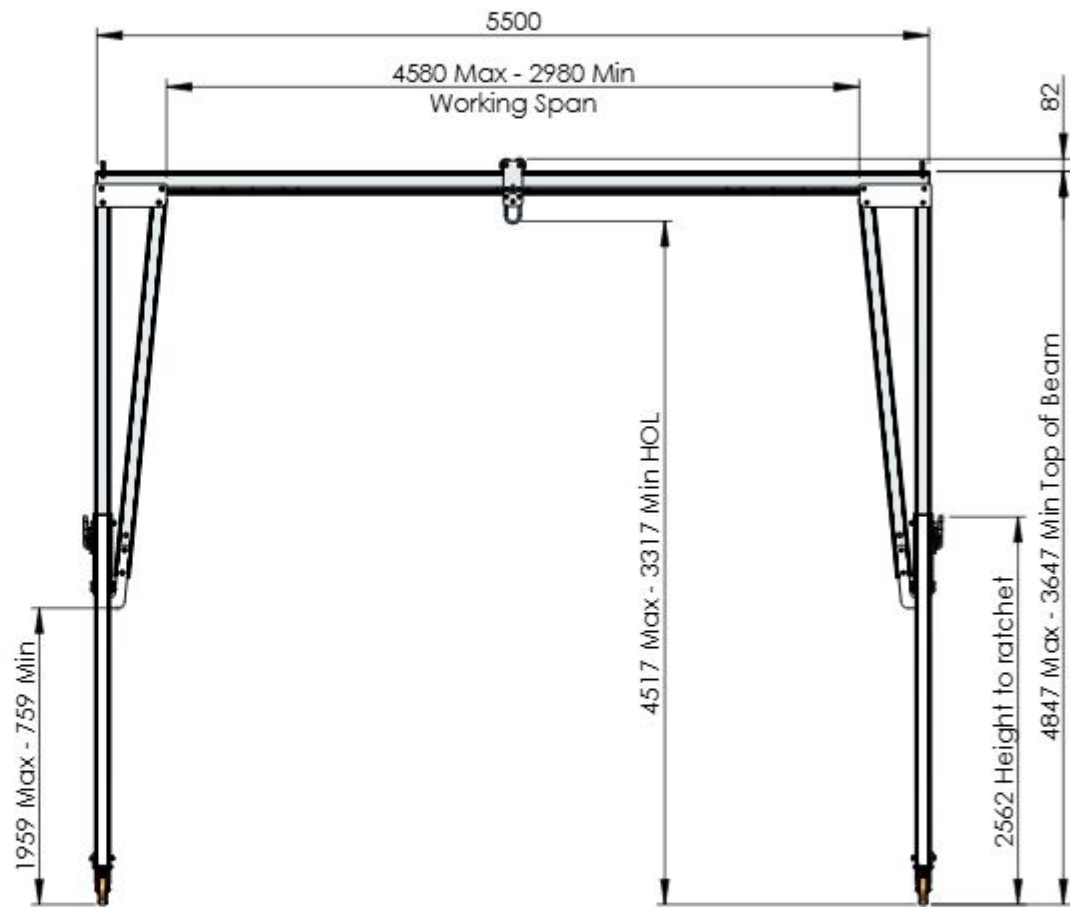
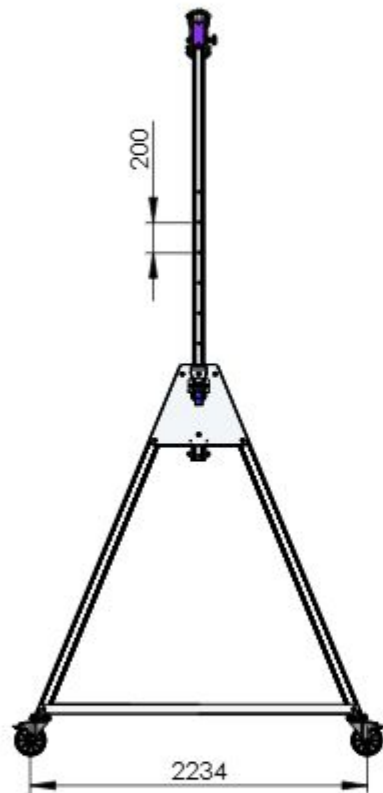
ALL COPYRIGHT AND DESIGN RIGHT SUBSISTING IN THIS DOCUMENT IS THE PROPERTY OF REID LIFTING LIMITED AND MAY NOT BE REPRODUCED WITHOUT REID LIFTING'S CONSENT. THIS DOCUMENT AND THE INFORMATION CONTAINED WITHIN IT IS CONFIDENTIAL AND MAY NOT BE DISCLOSED TO ANY THIRD PARTY NOR USED FOR ANY UNAUTHORISED PURPOSE WITHOUT REID LIFTING'S CONSENT



TITLE: **General Arrangement of REID Lifting Porta-Gantry Size TC4 - 4570mm Beam WLL1000kg**

DWG NO. **PGSS01000TC4-4570A** A4

Estimated Weight: 205 kg 1:50 SHEET 2 OF 2



DO NOT SCALE DRAWING

REVISION **02**



Reid Lifting Limited. Unit 1  
Wyeview, Newhouse Farm Ind. Est.,  
Chepstow, Monmouthshire.  
NP16 6UD, UK

Tel +44(0) 1291 620796  
Fax +44(0) 1291 626490

[www.reidlifting.com](http://www.reidlifting.com)

[enquiries@reidlifting.com](mailto:enquiries@reidlifting.com)

	NAME	DATE	FINISH:
DRAWN	TB	19/05/2021	Anodised
CHK'D			MATERIAL:
APPR'D	CM	10/03/2023	Aluminium Alloy

ALL COPYRIGHT AND DESIGN RIGHT SUBSISTING IN THIS DOCUMENT IS THE PROPERTY OF REID LIFTING LIMITED AND MAY NOT BE REPRODUCED WITHOUT REID LIFTING'S CONSENT. THIS DOCUMENT AND THE INFORMATION CONTAINED WITHIN IT IS CONFIDENTIAL AND MAY NOT BE DISCLOSED TO ANY THIRD PARTY NOR USED FOR ANY UNAUTHORISED PURPOSE WITHOUT REID LIFTING'S CONSENT

UNLESS OTHERWISE SPECIFIED:  
DIMENSIONS ARE IN MILLIMETERS



TITLE: **General Arrangement of REID Lifting Porta-Gantry Size TC4 - 5500mm Beam WLL1000kg**

DWG NO. **PGSS01000TC4-5500A**

A4

Estimated Weight: 212 kg

1:50

SHEET 1 OF 2

## General Specification

- Maximum rated capacity for goods lifting - 1000kg
- Maximum rated capacity for personnel lifting - 500kg
- Beam deflection at maximum rated capacity of 1000kg - 42-52 mm at centre of span
- Maximum castor surface pressure at full load - 24.46 MPa
- Assembled gantry weight (excluding trollies) - 212kg
- All welding to BS EN ISO 15614-2: 2005 by certified welders.
- For further details and assembly information refer to Operations and Maintenance Manual for Porta Gantry Product. (available at [www.reidlifting.com](http://www.reidlifting.com))

## Fall Protection Standards

- Certified to EN795:2012 Type B & supplied under PPE Regulation 2016/425
- Notified Body Witness tested to the requirements of PD CEN/TS16415:2013 for 3 persons
- Exceeds the requirements of IRATA ICOP & BS7985 (15kN MBL)

## Materials & Finishes

- Frame and beam - 6082 T6 Aluminium alloy. Anodised.
- Castors - Steel. Bright Zinc Plated.
- Castor Wheels & Rollers - Aluminium & Polyurethane
- Fixings - Steel. Grade 12:9. Bright Zinc Plated.



Approved

DO NOT SCALE DRAWING

REVISION **02**



Reid Lifting Limited. Unit 1  
Wyeview, Newhouse Farm Ind. Est.,  
Chepstow, Monmouthshire.  
NP16 6UD, UK

Tel +44(0)1291 620796  
Fax: +44(0)1291 626490

[www.reidlifting.com](http://www.reidlifting.com)

[enquiries@reidlifting.com](mailto:enquiries@reidlifting.com)

	NAME	DATE
DRAWN	TB	19/05/2021
CHK'D		
APPR'D	CM	10/03/2023

UNLESS OTHERWISE SPECIFIED:  
DIMENSIONS ARE IN MILLIMETERS

ALL COPYRIGHT AND DESIGN RIGHT SUBSISTING IN THIS DOCUMENT IS THE PROPERTY OF REID LIFTING LIMITED AND MAY NOT BE REPRODUCED WITHOUT REID LIFTING'S CONSENT. THIS DOCUMENT AND THE INFORMATION CONTAINED WITHIN IT IS CONFIDENTIAL AND MAY NOT BE DISCLOSED TO ANY THIRD PARTY NOR USED FOR ANY UNAUTHORISED PURPOSE WITHOUT REID LIFTING'S CONSENT



TITLE: **General Arrangement of REID Lifting Porta-Gantry Size TC4 - 5500mm Beam WLL1000kg**

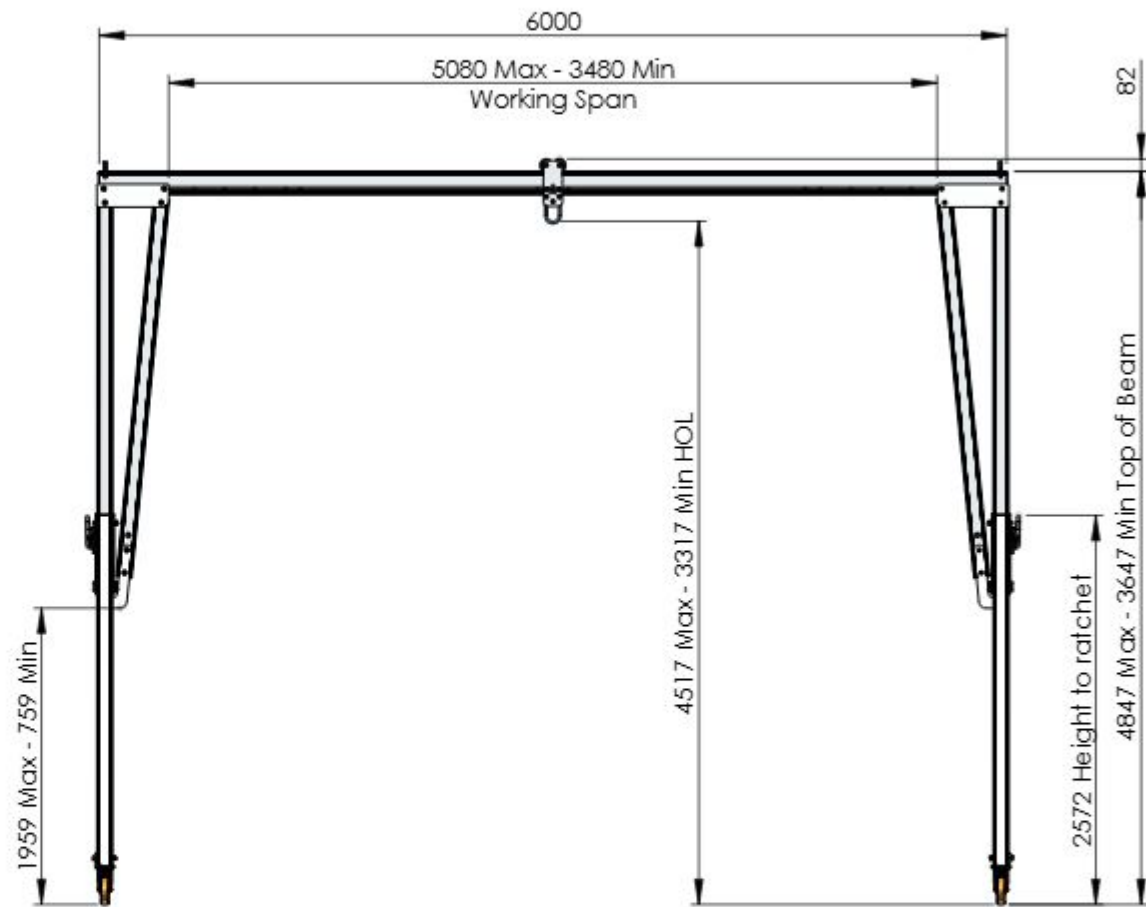
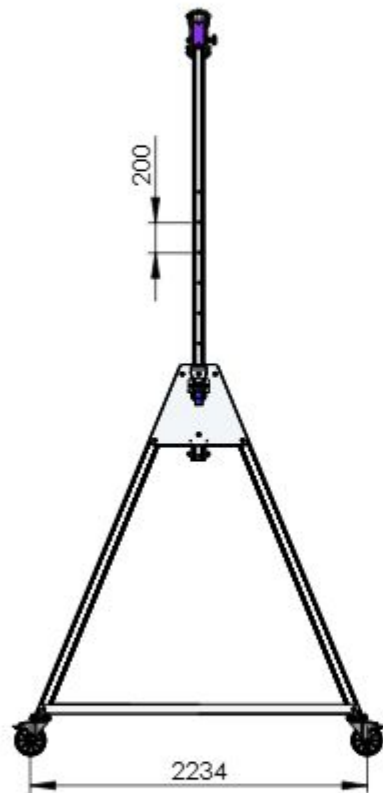
DWG NO. **PGSS01000TC4-5500A**

A4

Estimated Weight: 212 kg

1:50

SHEET 2 OF 2



DO NOT SCALE DRAWING

REVISION **02**



Reid Lifting Limited. Unit 1  
Wyeview, Newhouse Farm Ind. Est.,  
Chepstow, Monmouthshire.  
NP16 6UD, UK

Tel +44(0) 1291 620796  
Fax +44(0) 1291 626490

[www.reidlifting.com](http://www.reidlifting.com)

[enquiries@reidlifting.com](mailto:enquiries@reidlifting.com)

	NAME	DATE	FINISH:
DRAWN	TB	19/05/2021	Anodised
CHK'D			MATERIAL:
APPR'D	CM	10/03/2023	Aluminium Alloy
<small>ALL COPYRIGHT AND DESIGN RIGHT SUBSISTING IN THIS DOCUMENT IS THE PROPERTY OF REID LIFTING LIMITED AND MAY NOT BE REPRODUCED WITHOUT REID LIFTING'S CONSENT. THIS DOCUMENT AND THE INFORMATION CONTAINED WITHIN IT IS CONFIDENTIAL AND MAY NOT BE DISCLOSED TO ANY THIRD PARTY NOR USED FOR ANY UNAUTHORISED PURPOSE WITHOUT REID LIFTING'S CONSENT</small>			
<small>UNLESS OTHERWISE SPECIFIED: DIMENSIONS ARE IN MILLIMETERS</small>			



TITLE: **General Arrangement of REID Lifting Porta-Gantry Size TC4 - 6000mm Beam WLL1000kg**

DWG NO. **PGSS01000TC4-6000A**

A4

Estimated Weight: 216 kg

1:50

SHEET 1 OF 2

## General Specification

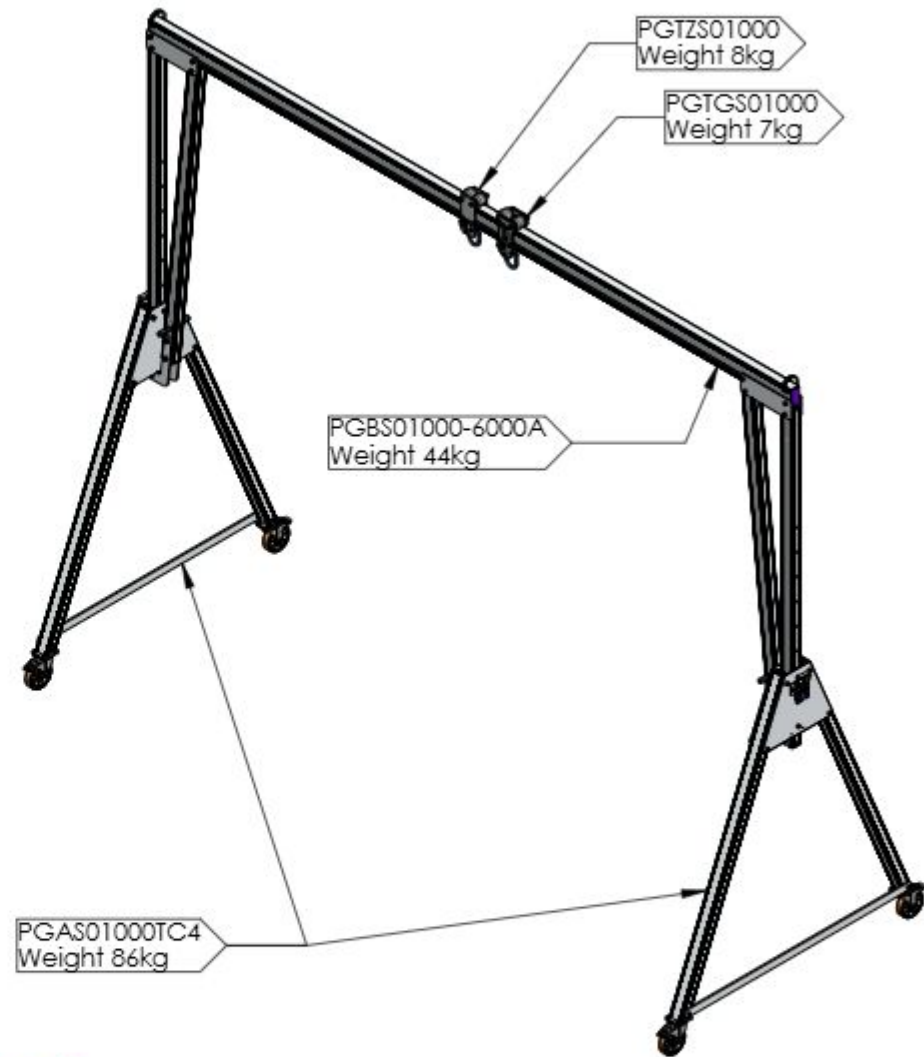
- Maximum rated capacity for goods lifting - 1000kg
- Maximum rated capacity for personnel lifting - 500kg
- Beam deflection at maximum rated capacity of 1000kg - 45-55 mm at centre of span
- Maximum castor surface pressure at full load - 24.50 Mpa
- Assembled gantry weight (excluding trollies) - 216kg
- All welding to BS EN ISO 15614-2: 2005 by certified welders.
- For further details and assembly information refer to Operations and Maintenance Manual for Porta Gantry Product. (available at [www.reidlifting.com](http://www.reidlifting.com))

## Fall Protection Standards

- Certified to EN795:2012 Type B & supplied under PPE Regulation 2016/425
- Notified Body Witness tested to the requirements of PD CEN/TS16415:2013 for 3 persons
- Exceeds the requirements of IRATA ICOP & BS7985 (15kN MBL)

## Materials & Finishes

- Frame and beam - 6082 T6 Aluminium alloy. Anodised.
- Castors - Steel. Bright Zinc Plated.
- Castor Wheels & Rollers - Aluminium & Polyurethane
- Fixings - Steel. Grade 12:9. Bright Zinc Plated.



Approved

DO NOT SCALE DRAWING

REVISION

02



Reid Lifting Limited. Unit 1  
Wyeview, Newhouse Farm Ind. Est.,  
Chepstow, Monmouthshire.  
NP16 6UD, UK

Tel +44(0)1291 620796  
Fax: +44(0)1291 626490

[www.reidlifting.com](http://www.reidlifting.com)

[enquiries@reidlifting.com](mailto:enquiries@reidlifting.com)

	NAME	DATE
DRAWN	TB	19/05/2021
CHK'D		
APPR'D	CM	10/03/2023

UNLESS OTHERWISE SPECIFIED:  
DIMENSIONS ARE IN MILLIMETERS

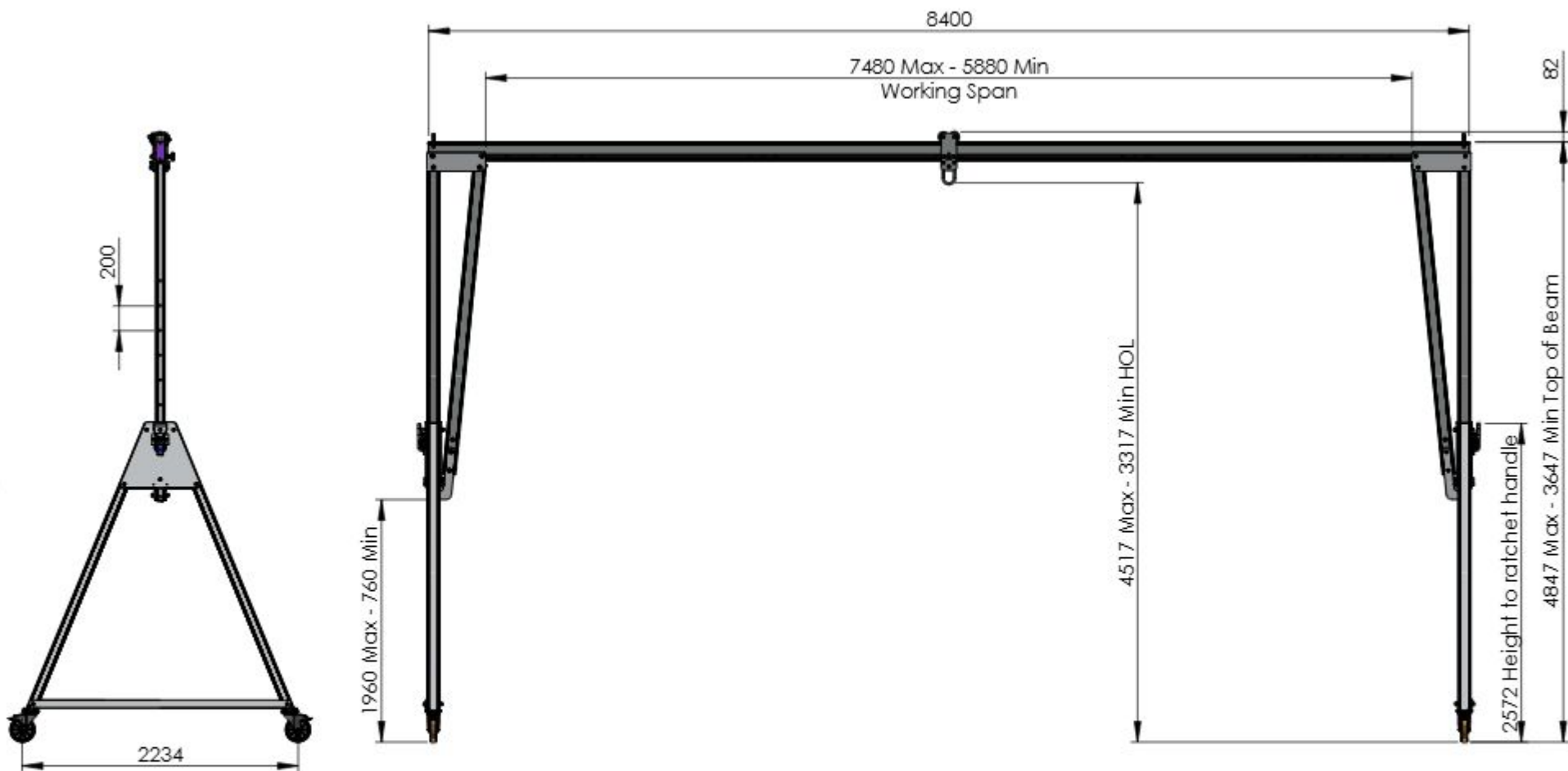
ALL COPYRIGHT AND DESIGN RIGHT SUBSISTING IN THIS DOCUMENT IS THE PROPERTY OF REID LIFTING LIMITED AND MAY NOT BE REPRODUCED WITHOUT REID LIFTING'S CONSENT. THIS DOCUMENT AND THE INFORMATION CONTAINED WITHIN IT IS CONFIDENTIAL AND MAY NOT BE DISCLOSED TO ANY THIRD PARTY NOR USED FOR ANY UNAUTHORISED PURPOSE WITHOUT REID LIFTING'S CONSENT



TITLE: **General Arrangement of REID Lifting Porta-Gantry Size TC4 - 6000mm Beam WLL1000kg**

DWG NO. **PGSS01000TC4-6000A** A4

Estimated Weight: 216 kg 1:50 SHEET 2 OF 2



DO NOT SCALE DRAWING

REVISION

03



Reid Lifting Limited. Unit 1  
Wyeview, Newhouse Farm Ind. Est.,  
Chepstow, Monmouthshire.  
NP16 6UD, UK

Tel +44(0) 1291 620796  
Fax +44(0) 1291 626490

[www.reidlifting.com](http://www.reidlifting.com)

[enquiries@reidlifting.com](mailto:enquiries@reidlifting.com)

	NAME	DATE	FINISH:
DRAWN	TB	10/06/2021	Anodised
CHK'D			MATERIAL:
APPR'D	CM	10/03/2023	Aluminium Alloy
<small>ALL COPYRIGHT AND DESIGN RIGHT SUBSISTING IN THIS DOCUMENT IS THE PROPERTY OF REID LIFTING LIMITED AND MAY NOT BE REPRODUCED WITHOUT REID LIFTING'S CONSENT. THIS DOCUMENT AND THE INFORMATION CONTAINED WITHIN IT IS CONFIDENTIAL AND MAY NOT BE DISCLOSED TO ANY THIRD PARTY NOR USED FOR ANY UNAUTHORISED PURPOSE WITHOUT REID LIFTING'S CONSENT</small>			
<small>UNLESS OTHERWISE SPECIFIED: DIMENSIONS ARE IN MILLIMETERS</small>			



TITLE:

**General Arrangement of Reid Lifting Porta-Gantry TC4 - 8400mm Beam WLL1000kg**

DWG NO.

**PGSS01000TC4-8400B**

A4

Estimated Weight: 250 kg

1:50

SHEET 1 OF 2

## General Specification

- Maximum rated capacity for goods lifting - 1000kg
- Maximum rated capacity for personnel lifting - 500kg
- Beam deflection at maximum rated capacity of 1000kg - 110-120 mm at centre of span
- Maximum castor surface pressure at full load - 24.88 MPa
- Assembled gantry weight (excluding trollies) - 250kg
- All welding to BS EN ISO 15614-2: 2005 by certified welders.
- For further details and assembly information refer to Operations and Maintenance Manual for Porta Gantry Product. (available at [www.reidlifting.com](http://www.reidlifting.com))

## Fall Protection Standards

- Certified to EN795:2012 Type B & supplied under PPE Regulation 2016/425
- Notified Body Witness tested to the requirements of PD CEN/TS16415:2013 for 3 persons
- Exceeds the requirements of IRATA ICOP & BS7985 (15kN MBL)

## Materials & Finishes

- Frame and beam - 6082 T6 Aluminium alloy. Anodised.
- Castors - Steel. Bright Zinc Plated.
- Castor Wheels & Rollers - Aluminium & Polyurethane
- Fixings - Steel. Grade 12:9. Bright Zinc Plated.

Note: Master Link Trolleys shown in system as a reference



Approved

DO NOT SCALE DRAWING

REVISION **03**



Reid Lifting Limited. Unit 1  
Wyeview, Newhouse Farm Ind. Est.,  
Chepstow, Monmouthshire.  
NP16 6UD, UK

Tel +44(0)1291 620796  
Fax: +44(0)1291 626490

[www.reidlifting.com](http://www.reidlifting.com)

[enquiries@reidlifting.com](mailto:enquiries@reidlifting.com)

	NAME	DATE
DRAWN	TB	10/06/2021
CHK'D		
APP'VD	CM	10/03/2023

UNLESS OTHERWISE SPECIFIED:  
DIMENSIONS ARE IN MILLIMETERS

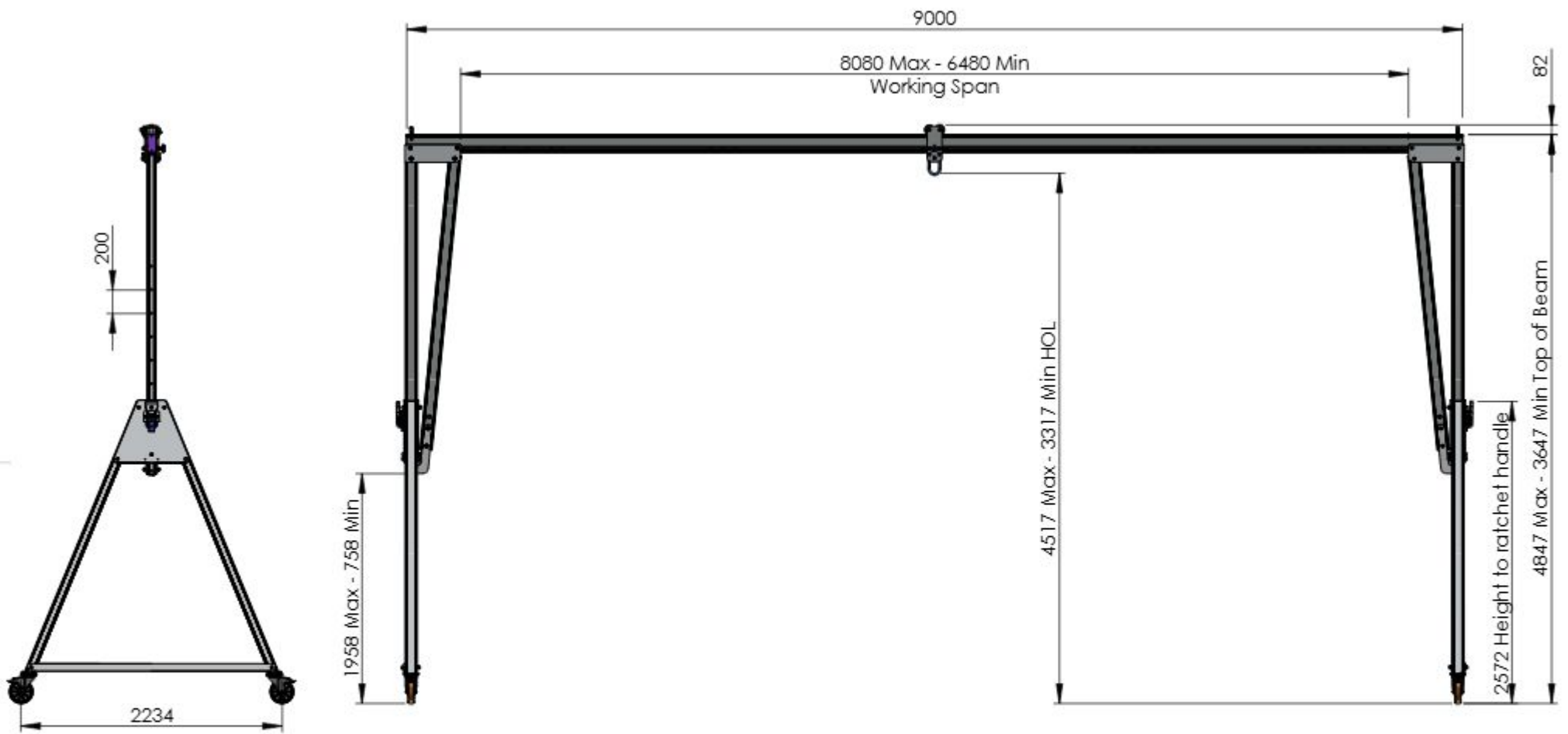
ALL COPYRIGHT AND DESIGN RIGHT SUBSISTING IN THIS DOCUMENT IS THE PROPERTY OF REID LIFTING LIMITED AND MAY NOT BE REPRODUCED WITHOUT REID LIFTING'S CONSENT. THIS DOCUMENT AND THE INFORMATION CONTAINED WITHIN IT IS CONFIDENTIAL AND MAY NOT BE DISCLOSED TO ANY THIRD PARTY NOR USED FOR ANY UNAUTHORISED PURPOSE WITHOUT REID LIFTING'S CONSENT



TITLE: **General Arrangement of Reid Lifting Porta-Gantry TC4 - 8400mm Beam WLL1000kg**

DWG NO. **PGSS01000TC4-8400B** A4

Estimated Weight: 250 kg 1:55 SHEET 2 OF 2



DO NOT SCALE DRAWING

REVISION **02**



Reid Lifting Limited. Unit 1  
Wyeview, Newhouse Farm Ind. Est.,  
Chepstow, Monmouthshire.  
NP16 6UD, UK

Tel +44(0) 1291 620796  
Fax +44(0) 1291 626490

[www.reidlifting.com](http://www.reidlifting.com)

[enquiries@reidlifting.com](mailto:enquiries@reidlifting.com)

	NAME	DATE	FINISH:
DRAWN	TB	10/06/2021	Anodised
CHK'D			MATERIAL:
APPR'D	CM	10/03/2023	Aluminium Alloy
<small>ALL COPYRIGHT AND DESIGN RIGHT SUBSISTING IN THIS DOCUMENT IS THE PROPERTY OF REID LIFTING LIMITED AND MAY NOT BE REPRODUCED WITHOUT REID LIFTING'S CONSENT. THIS DOCUMENT AND THE INFORMATION CONTAINED WITHIN IT IS CONFIDENTIAL AND MAY NOT BE DISCLOSED TO ANY THIRD PARTY NOR USED FOR ANY UNAUTHORISED PURPOSE WITHOUT REID LIFTING'S CONSENT</small>			
<small>UNLESS OTHERWISE SPECIFIED: DIMENSIONS ARE IN MILLIMETERS</small>			



TITLE: **General Arrangement of Reid Lifting Porta-Gantry TC4 - 9000mm Beam WLL1000kg**

DWG NO. **PGSS01000TC4-9000B**

A4

Estimated Weight: 256 kg

1:50

SHEET 1 OF 2

## General Specification

- Maximum rated capacity for goods lifting - 1000kg
- Maximum rated capacity for personnel lifting - 500kg
- Beam deflection at maximum rated capacity of 1000kg - 125-140 mm at centre of span
- Maximum castor surface pressure at full load - 24.94 MPa
- Assembled gantry weight (excluding trollies) - 256kg
- All welding to BS EN ISO 15614-2: 2005 by certified welders.
- For further details and assembly information refer to Operations and Maintenance Manual for Porta Gantry Product. (available at [www.reidlifting.com](http://www.reidlifting.com))

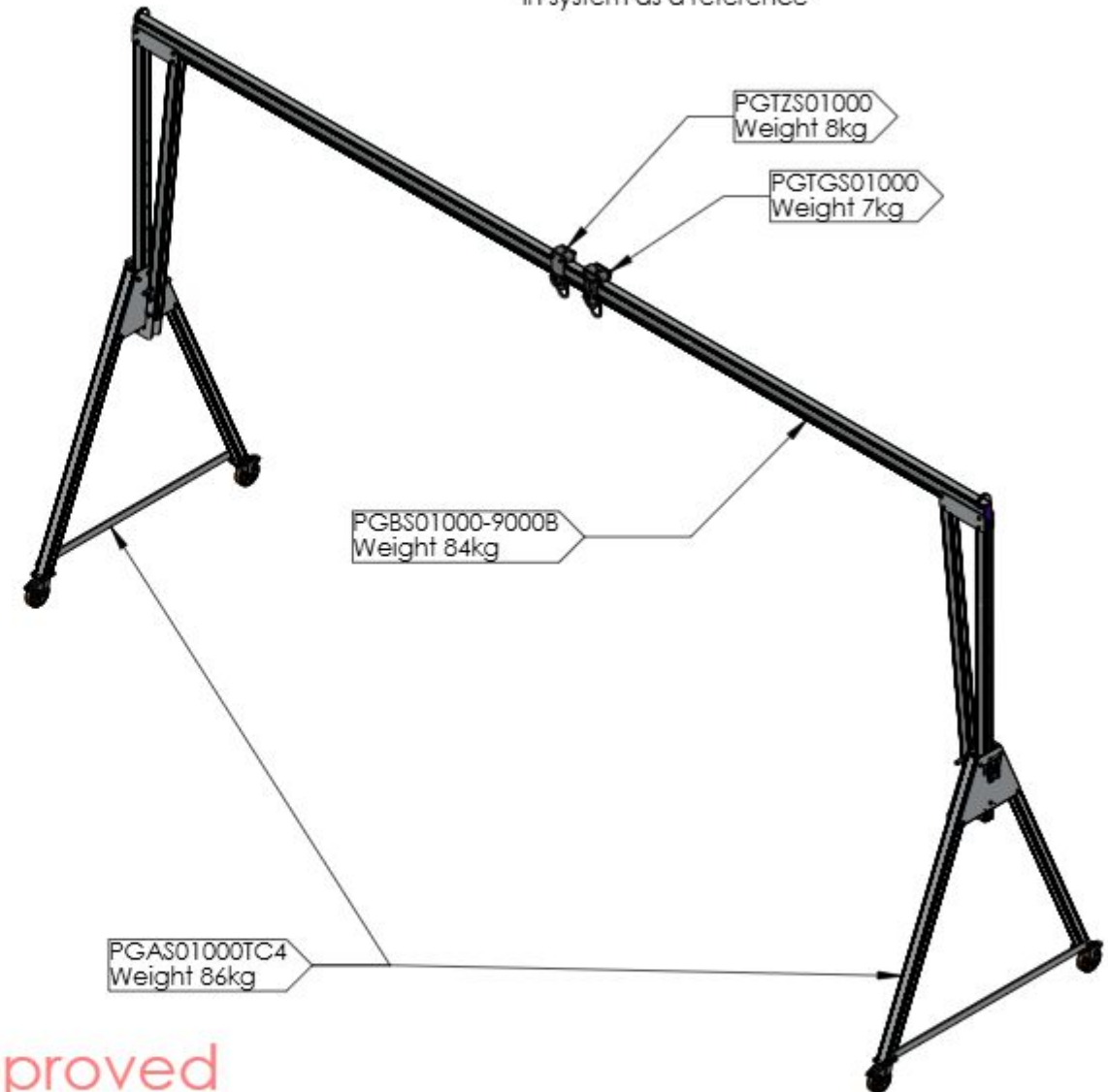
## Fall Protection Standards

- Certified to EN795:2012 Type B & supplied under PPE Regulation 2016/425
- Notified Body Witness tested to the requirements of PD CEN/TS16415:2013 for 3 persons
- Exceeds the requirements of IRATA ICOP & BS7985 (15kN MBL)

## Materials & Finishes

- Frame and beam - 6082 T6 Aluminium alloy. Anodised.
- Castors - Steel. Bright Zinc Plated.
- Castor Wheels & Rollers - Aluminium & Polyurethane
- Fixings - Steel. Grade 12:9. Bright Zinc Plated.

Note: Master Link Trolleys shown in system as a reference



Approved

DO NOT SCALE DRAWING

REVISION **02**



Reid Lifting Limited. Unit 1  
Wyeview, Newhouse Farm Ind. Est.,  
Chepstow, Monmouthshire.  
NP16 6UD, UK

Tel +44(0)1291 620796  
Fax: +44(0)1291 626490

[www.reidlifting.com](http://www.reidlifting.com)

[enquiries@reidlifting.com](mailto:enquiries@reidlifting.com)

	NAME	DATE
DRAWN	TB	10/06/2021
CHK'D		
APP'VD	CM	10/03/2023

UNLESS OTHERWISE SPECIFIED:  
DIMENSIONS ARE IN MILLIMETERS

ALL COPYRIGHT AND DESIGN RIGHT SUBSISTING IN THIS DOCUMENT IS THE PROPERTY OF REID LIFTING LIMITED AND MAY NOT BE REPRODUCED WITHOUT REID LIFTING'S CONSENT. THIS DOCUMENT AND THE INFORMATION CONTAINED WITHIN IT IS CONFIDENTIAL AND MAY NOT BE DISCLOSED TO ANY THIRD PARTY NOR USED FOR ANY UNAUTHORISED PURPOSE WITHOUT REID LIFTING'S CONSENT



TITLE: **General Arrangement of Reid Lifting Porta-Gantry TC4 - 9000mm Beam WLL1000kg**

DWG NO. **PGSS01000TC4-9000B**

A4

Estimated Weight: 256 kg

1:55

SHEET 2 OF 2