



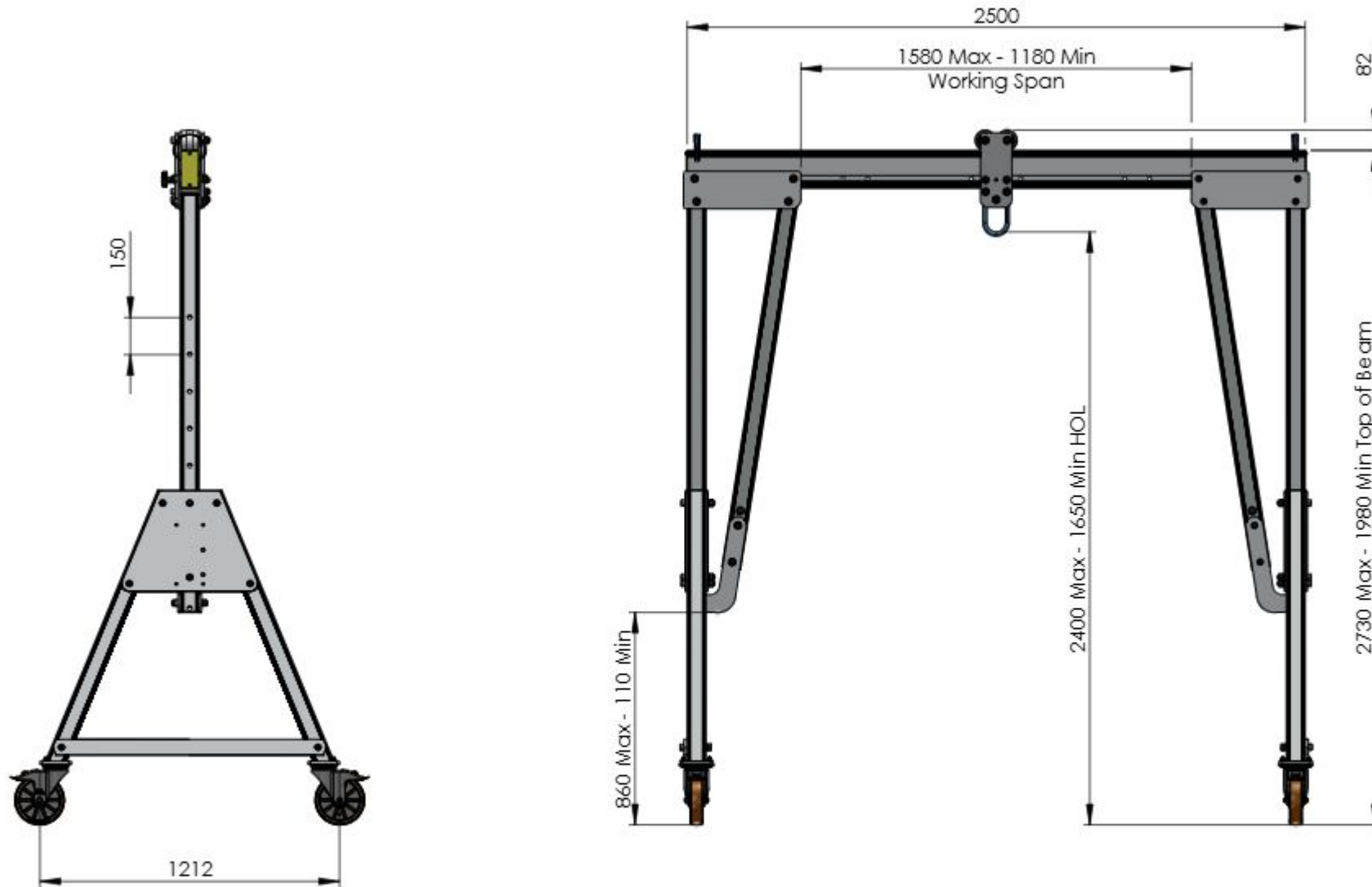
TECHNICAL DATASHEETS

PORTAGANTRY[®]

3000kg



To ensure the stability of the structure, the working span of the beam must be equal to or greater than the distance between castors on the A-frame



DO NOT SCALE DRAWING

REVISION

02



Reid Lifting Limited. Unit 1
Wyeview, Newhouse Farm Ind. Est.,
Chepstow, Monmouthshire,
NP16 6UD, UK

Tel +44(0) 1291 620796
Fax +44(0) 1291 626490

www.reidlifting.com

enquiries@reidlifting.com

	NAME	DATE	FINISH:
DRAWN	TB	11/06/2021	Anodised
CHK'D			MATERIAL:
APPR'D	CM	13/03/2023	Aluminium Alloy
<small>ALL COPYRIGHT AND DESIGN RIGHT SUBSISTING IN THIS DOCUMENT IS THE PROPERTY OF REID LIFTING LIMITED AND MAY NOT BE REPRODUCED WITHOUT REID LIFTING'S CONSENT. THIS DOCUMENT AND THE INFORMATION CONTAINED WITHIN IT IS CONFIDENTIAL AND MAY NOT BE DISCLOSED TO ANY THIRD PARTY NOR USED FOR ANY UNAUTHORISED PURPOSE WITHOUT REID LIFTING'S CONSENT</small>			
<small>UNLESS OTHERWISE SPECIFIED: DIMENSIONS ARE IN MILLIMETERS</small>			



TITLE:

**General Arrangement of REID
Lifting Porta-Gantry Size Small -
2500mm Beam WLL3000kg**

DWG NO.

PGSS03000S-2500A

A4

Estimated Weight: 130 kg

1:25

SHEET 1 OF 2

General Specification

- Maximum rated capacity for goods lifting - 3000kg
- Maximum rated capacity for personnel lifting - 1500kg
- Beam deflection at maximum rated capacity of 3000kg - 15-20 mm at centre of span
- Maximum castor surface pressure at full load - 67.52 MPa
- Assembled gantry weight (excluding trolleys) - 130kg
- All welding to BS EN ISO 15614-2: 2005 by certified welders.
- For further details and assembly information refer to Operations and Maintenance Manual for Porta Gantry Product. (available at www.reidlifting.com)

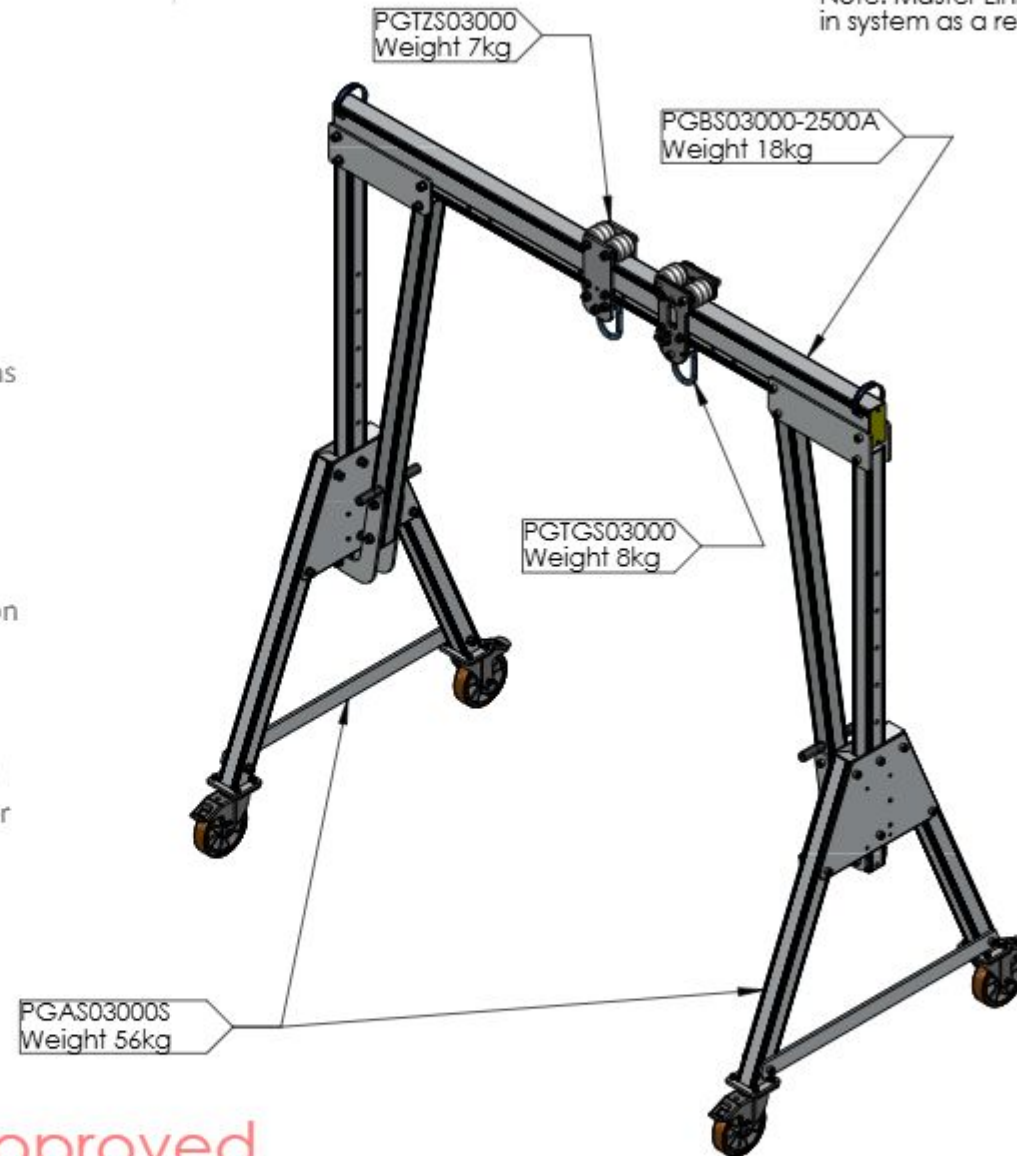
Fall Protection Standards

- Certified to EN795:2012 Type B & supplied under PPE Regulation 2016/425
- Notified Body Witness tested to the requirements of PD CEN/TS16415:2013 for 5 persons
- Exceeds the requirements of IRATA ICOP & BS7985 (15kN MBL)
- Tested to and meets the requirements of ANSI Z359.18.2017 for 2 persons.

Materials & Finishes

- Frame and beam - 6082 T6 Aluminium alloy. Anodised.
- Castors - Steel. Bright Zinc Plated.
- Castor Wheels & Rollers - Aluminium & Polyurethane
- Fixings - Steel. Grade 12.9. Bright Zinc Plated.

Note: Master Link Trolleys shown in system as a reference



Approved

DO NOT SCALE DRAWING

REVISION

02

REID
LIFTING

Reid Lifting Limited. Unit 1
Wyeview, Newhouse Farm Ind. Est.,
Chepstow, Monmouthshire.
NP16 6UD, UK

Tel +44(0)1291 620796
Fax: +44(0)1291 626490

www.reidlifting.com

enquiries@reidlifting.com

	NAME	DATE
DRAWN	TB	11/06/2021
CHK'D		
APPR'D	CM	13/03/2023

UNLESS OTHERWISE SPECIFIED:
DIMENSIONS ARE IN MILLIMETERS

ALL COPYRIGHT AND DESIGN RIGHT SUBSISTING IN THIS DOCUMENT IS THE PROPERTY OF REID LIFTING LIMITED AND MAY NOT BE REPRODUCED WITHOUT REID LIFTING'S CONSENT. THIS DOCUMENT AND THE INFORMATION CONTAINED WITHIN IT IS CONFIDENTIAL AND MAY NOT BE DISCLOSED TO ANY THIRD PARTY NOR USED FOR ANY UNAUTHORISED PURPOSE WITHOUT REID LIFTING'S CONSENT



TITLE: **General Arrangement of REID Lifting Porta-Gantry Size Small - 2500mm Beam WLL3000kg**

DWG NO.

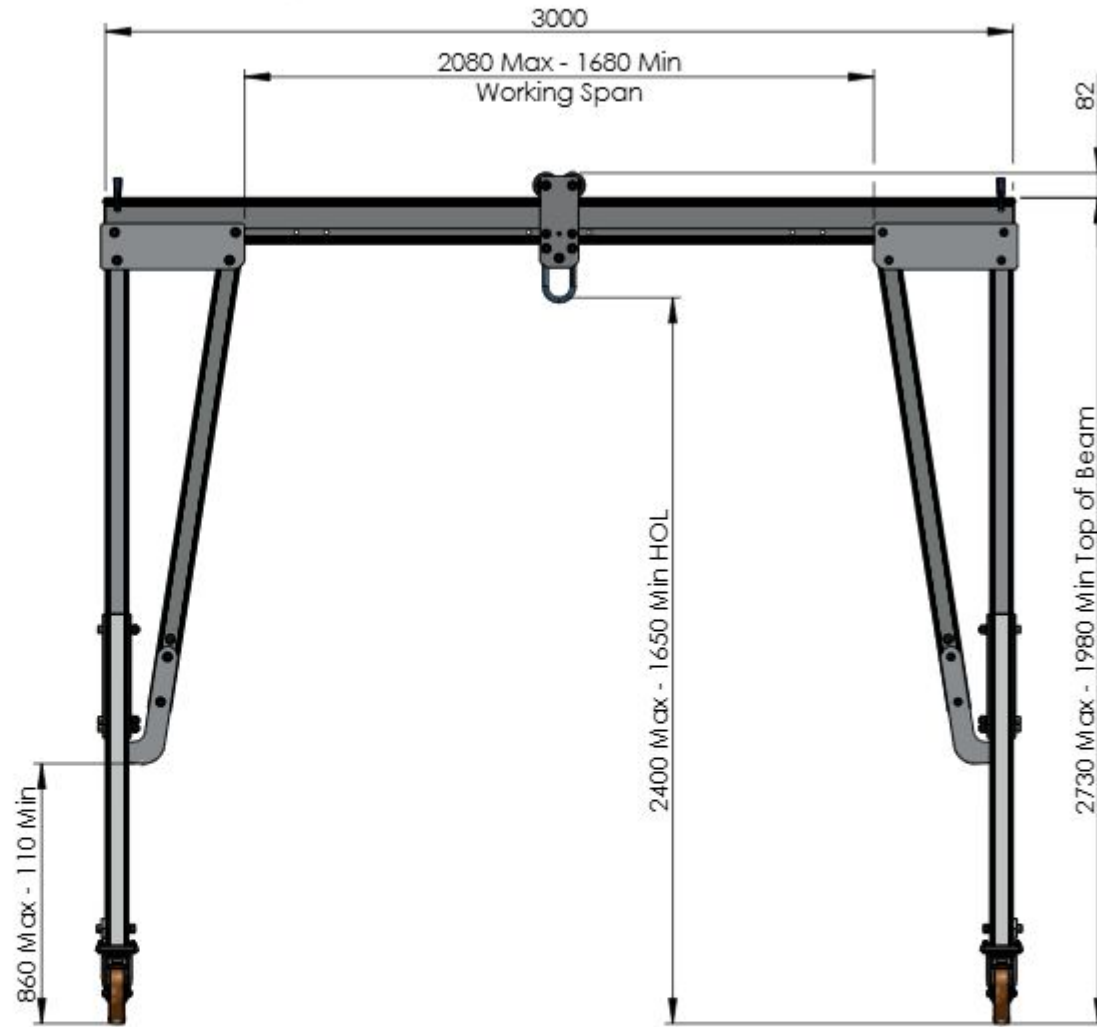
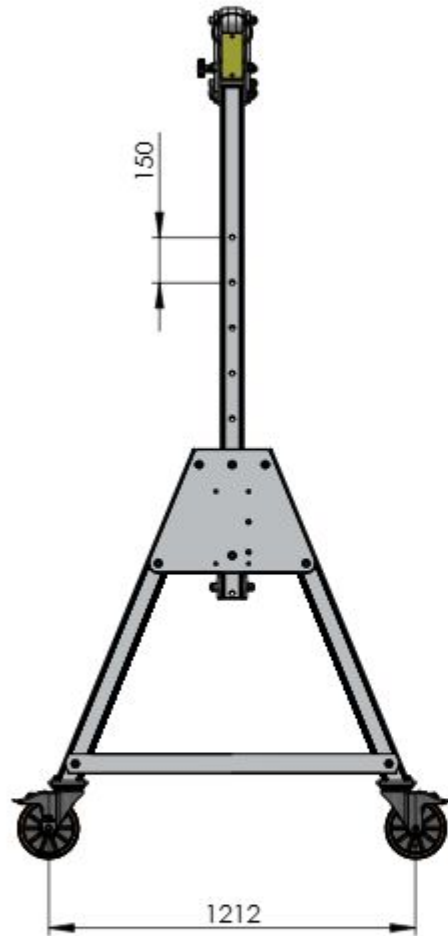
PGSS03000S-2500A

A4

Estimated Weight: 130 kg

1:25

SHEET 2 OF 2



DO NOT SCALE DRAWING

REVISION **02**



Reid Lifting Limited. Unit 1
Wyeview, Newhouse Farm Ind. Est.,
Chepstow, Monmouthshire,
NP16 6UD, UK

Tel +44(0) 1291 620796
Fax +44(0) 1291 626490

www.reidlifting.com

enquiries@reidlifting.com

	NAME	DATE	FINISH:
DRAWN	TB	11/06/2021	Anodised
CHK'D			MATERIAL:
APPR'D	CM	13/03/2023	Aluminium Alloy
<small>ALL COPYRIGHT AND DESIGN RIGHT SUBSISTING IN THIS DOCUMENT IS THE PROPERTY OF REID LIFTING LIMITED AND MAY NOT BE REPRODUCED WITHOUT REID LIFTING'S CONSENT. THIS DOCUMENT AND THE INFORMATION CONTAINED WITHIN IT IS CONFIDENTIAL AND MAY NOT BE DISCLOSED TO ANY THIRD PARTY NOR USED FOR ANY UNAUTHORISED PURPOSE WITHOUT REID LIFTING'S CONSENT</small>			
<small>UNLESS OTHERWISE SPECIFIED: DIMENSIONS ARE IN MILLIMETERS</small>			

TITLE: **General Arrangement of REID Lifting Porta-Gantry Size Small - 3000mm Beam WLL3000kg**

DWG NO. **PGSS03000S-3000A** A4

Estimated Weight: 134 kg 1:25 SHEET 1 OF 2

General Specification

- Maximum rated capacity for goods lifting - 3000kg
- Maximum rated capacity for personnel lifting - 1500kg
- Beam deflection at maximum rated capacity of 3000kg - 20-25 mm at centre of span
- Maximum castor surface pressure at full load - 67.56 MPa
- Assembled gantry weight (excluding trolleys) - 134kg
- All welding to BS EN ISO 15614-2: 2005 by certified welders.
- For further details and assembly information refer to Operations and Maintenance Manual for Porta Gantry Product. (available at www.reidlifting.com)

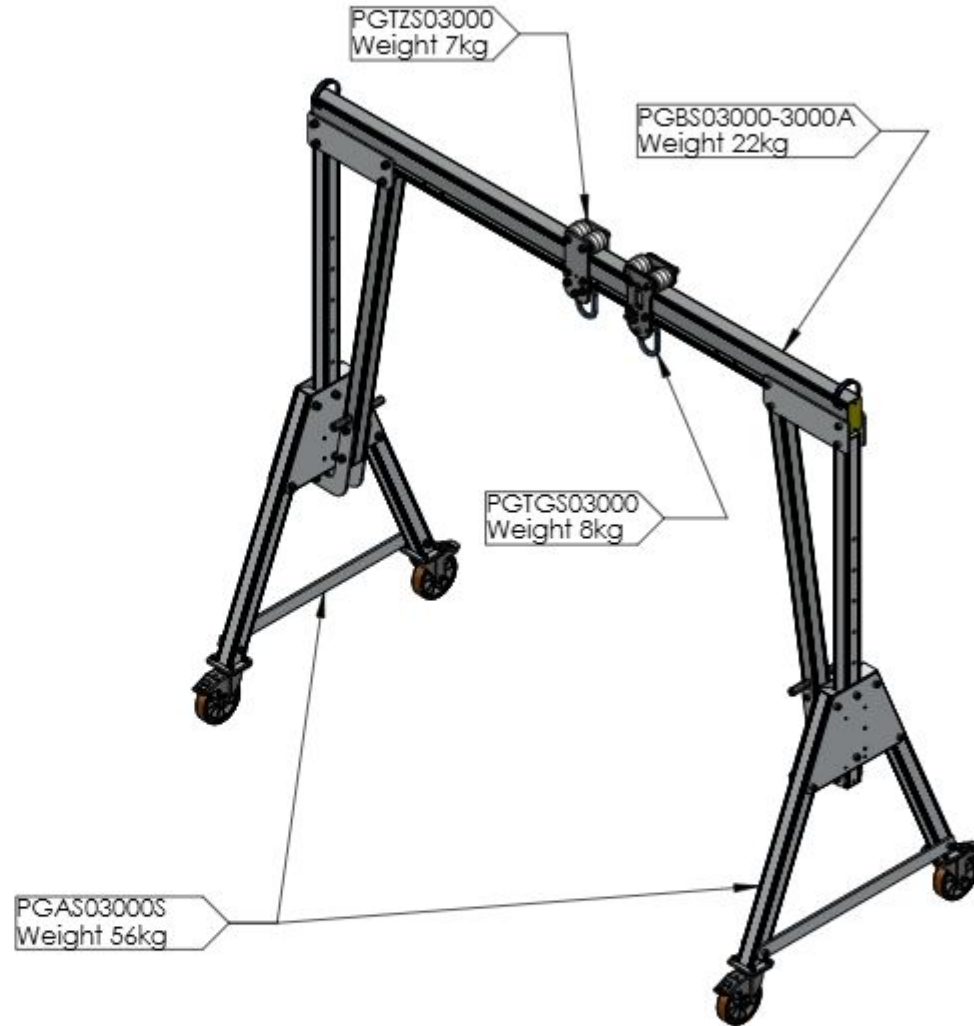
Fall Protection Standards

- Certified to EN795:2012 Type B & supplied under PPE Regulation 2016/425
- Notified Body Witness tested to the requirements of PD CEN/TS16415:2013 for 5 persons
- Exceeds the requirements of IRATA ICOP & BS7985 (15kN MBL)
- Tested to and meets the requirements of ANSI Z359.18.2017 for 2 persons.

Materials & Finishes

- Frame and beam - 6082 T6 Aluminium alloy. Anodised.
- Castors - Steel. Bright Zinc Plated.
- Castor Wheels & Rollers - Aluminium & Polyurethane
- Fixings - Steel. Grade 12.9. Bright Zinc Plated.

Note: Master Link Trolleys shown in system as a reference



Approved

DO NOT SCALE DRAWING

REVISION

02

REID
LIFTING

Reid Lifting Limited. Unit 1
Wyeview, Newhouse Farm Ind. Est.,
Chepstow, Monmouthshire.
NP16 6UD, UK

Tel +44(0)1291 620796
Fax: +44(0)1291 626490

www.reidlifting.com

enquiries@reidlifting.com

	NAME	DATE
DRAWN	TB	11/06/2021
CHK'D		
APPR'D	CM	13/03/2023

UNLESS OTHERWISE SPECIFIED:
DIMENSIONS ARE IN MILLIMETERS

ALL COPYRIGHT AND DESIGN RIGHT SUBSISTING IN THIS DOCUMENT IS THE PROPERTY OF REID LIFTING LIMITED AND MAY NOT BE REPRODUCED WITHOUT REID LIFTING'S CONSENT. THIS DOCUMENT AND THE INFORMATION CONTAINED WITHIN IT IS CONFIDENTIAL AND MAY NOT BE DISCLOSED TO ANY THIRD PARTY NOR USED FOR ANY UNAUTHORISED PURPOSE WITHOUT REID LIFTING'S CONSENT



TITLE: **General Arrangement of REID Lifting Porta-Gantry Size Small - 3000mm Beam WLL3000kg**

DWG NO.

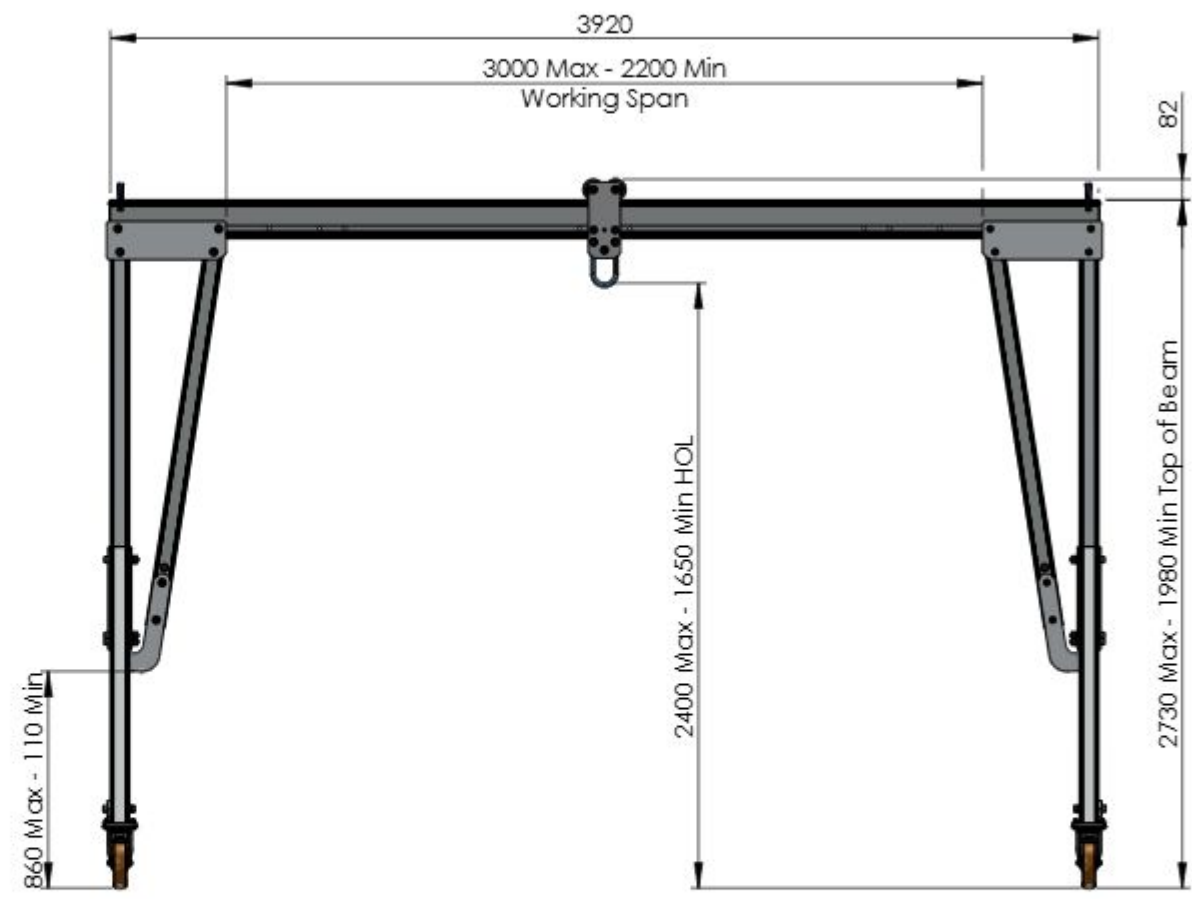
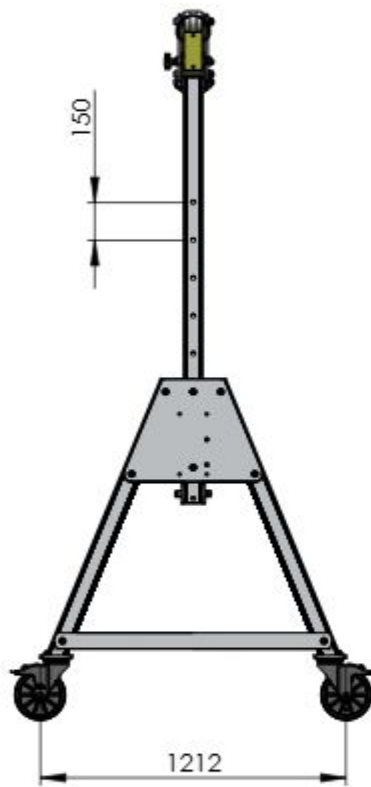
PGSS03000S-3000A

A4

Estimated Weight: 134 kg

1:30

SHEET 2 OF 2



DO NOT SCALE DRAWING

REVISION **02**



Reid Lifting Limited. Unit 1
Wyeview, Newhouse Farm Ind. Est.,
Chepstow, Monmouthshire.
NP16 6UD, UK

Tel +44(0) 1291 620796
Fax +44(0) 1291 626490

www.reidlifting.com

enquiries@reidlifting.com

	NAME	DATE	FINISH:
DRAWN	TB	10/06/2021	Anodised
CHK'D			MATERIAL:
APPR'D	CM	13/03/2023	Aluminium Alloy
<small>ALL COPYRIGHT AND DESIGN RIGHT SUBSISTING IN THIS DOCUMENT IS THE PROPERTY OF REID LIFTING LIMITED AND MAY NOT BE REPRODUCED WITHOUT REID LIFTING'S CONSENT. THIS DOCUMENT AND THE INFORMATION CONTAINED WITHIN IT IS CONFIDENTIAL AND MAY NOT BE DISCLOSED TO ANY THIRD PARTY NOR USED FOR ANY UNAUTHORISED PURPOSE WITHOUT REID LIFTING'S CONSENT</small>			
<small>UNLESS OTHERWISE SPECIFIED: DIMENSIONS ARE IN MILLIMETERS</small>			

TITLE: **General Arrangement of REID Lifting Porta-Gantry Size Small - 3920mm Beam WLL3000kg**

DWG NO. **PGSS03000S-3920B** A4

Estimated Weight: 149 kg 1:30 SHEET 1 OF 2

General Specification

- Maximum rated capacity for goods lifting - 3000kg
- Maximum rated capacity for personnel lifting - 1500kg
- Beam deflection at maximum rated capacity of 3000kg - 35-45 mm at centre of span
- Maximum castor surface pressure at full load - 67.72 MPa
- Assembled gantry weight (excluding trolleys) - 149kg
- All welding to BS EN ISO 15614-2: 2005 by certified welders.
- For further details and assembly information refer to Operations and Maintenance Manual for Porta Gantry Product. (available at www.reidlifting.com)

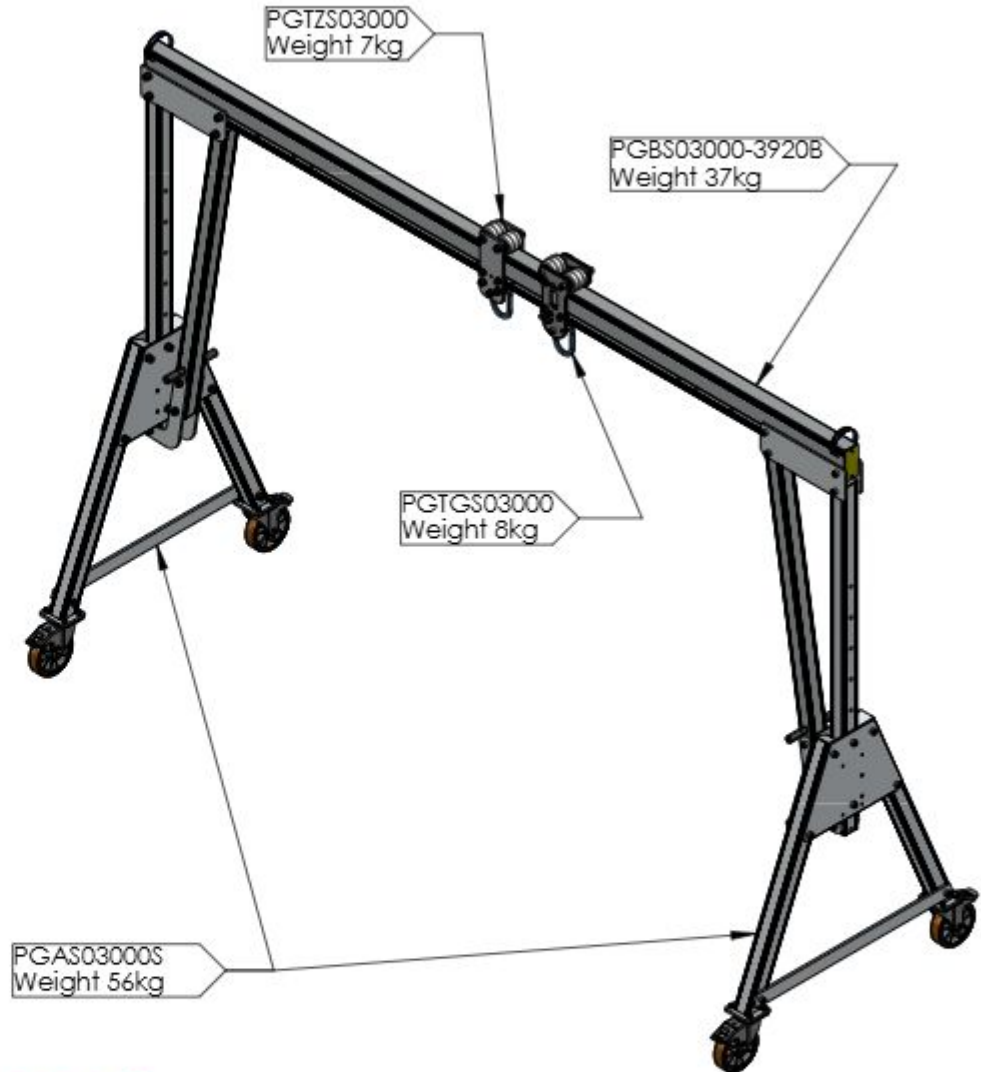
Fall Protection Standards

- Certified to EN795:2012 Type B & supplied under PPE Regulation 2016/425
- Notified Body Witness tested to the requirements of PD CEN/TS16415:2013 for 5 persons
- Exceeds the requirements of IRATA ICOP & BS7985 (15kN MBL)
- Tested to and meets the requirements of ANSI Z359.18.2017 for 3 persons.

Materials & Finishes

- Frame and beam - 6082 T6 Aluminium alloy. Anodised.
- Castors - Steel. Bright Zinc Plated.
- Castor Wheels & Rollers - Aluminium & Polyurethane
- Fixings - Steel. Grade 12.9. Bright Zinc Plated.

Note: Master Link Trolleys shown in system as a reference



Approved

DO NOT SCALE DRAWING

REVISION **02**



Reid Lifting Limited. Unit 1
Wyeview, Newhouse Farm Ind. Est.,
Chepstow, Monmouthshire.
NP16 6UD, UK

Tel +44(0)1291 620796
Fax: +44(0)1291 626490

www.reidlifting.com

enquiries@reidlifting.com

	NAME	DATE
DRAWN	TB	10/06/2021
CHK'D		
APPR'D	CM	13/03/2023

UNLESS OTHERWISE SPECIFIED:
DIMENSIONS ARE IN MILLIMETERS

ALL COPYRIGHT AND DESIGN RIGHT SUBSISTING IN THIS DOCUMENT IS THE PROPERTY OF REID LIFTING LIMITED AND MAY NOT BE REPRODUCED WITHOUT REID LIFTING'S CONSENT. THIS DOCUMENT AND THE INFORMATION CONTAINED WITHIN IT IS CONFIDENTIAL AND MAY NOT BE DISCLOSED TO ANY THIRD PARTY NOR USED FOR ANY UNAUTHORIZED PURPOSE WITHOUT REID LIFTING'S CONSENT



TITLE: **General Arrangement of REID Lifting Porta-Gantry Size Small - 3920mm Beam WLL3000kg**

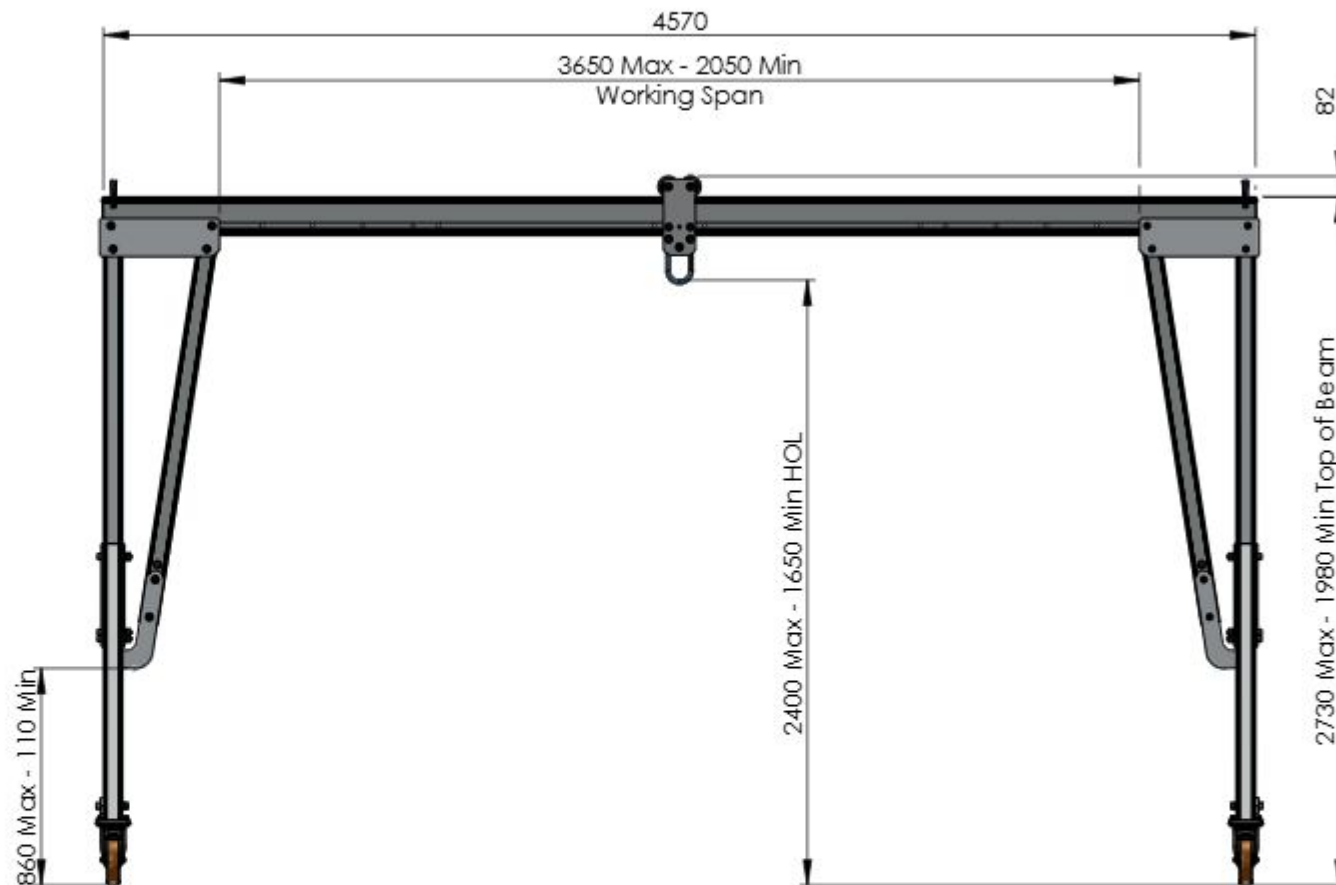
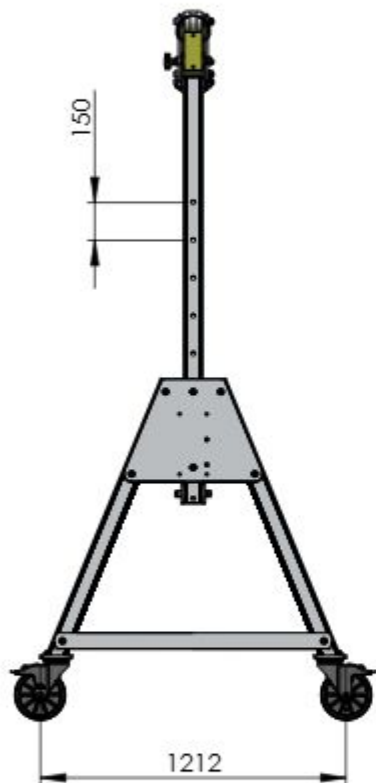
DWG NO. **PGSS03000S-3920B**

A4

Estimated Weight: 149 kg

1:30

SHEET 2 OF 2



DO NOT SCALE DRAWING

REVISION **02**



Reid Lifting Limited. Unit 1
Wyeview, Newhouse Farm Ind. Est.,
Chepstow, Monmouthshire.
NP16 6UD, UK

Tel +44(0) 1291 620796
Fax +44(0) 1291 626490

www.reidlifting.com

enquiries@reidlifting.com

	NAME	DATE	FINISH:
DRAWN	TB	10/06/2021	Anodised
CHK'D			MATERIAL:
APPR'D	CM	13/03/2023	Aluminium Alloy
<small>ALL COPYRIGHT AND DESIGN RIGHT SUBSISTING IN THIS DOCUMENT IS THE PROPERTY OF REID LIFTING LIMITED AND MAY NOT BE REPRODUCED WITHOUT REID LIFTING'S CONSENT. THIS DOCUMENT AND THE INFORMATION CONTAINED WITHIN IT IS CONFIDENTIAL AND MAY NOT BE DISCLOSED TO ANY THIRD PARTY NOR USED FOR ANY UNAUTHORISED PURPOSE WITHOUT REID LIFTING'S CONSENT</small>			
<small>UNLESS OTHERWISE SPECIFIED: DIMENSIONS ARE IN MILLIMETERS</small>			



TITLE: **General Arrangement of REID Lifting Porta-Gantry Size Small - 4570mm Beam WLL3000kg**

DWG NO. **PGSS03000S-4570B**

A4

Estimated Weight: 155 kg

1:30

SHEET 1 OF 2

General Specification

- Maximum rated capacity for goods lifting - 3000kg
- Maximum rated capacity for personnel lifting - 1500kg
- Beam deflection at maximum rated capacity of 3000kg - 60-70 mm at centre of span
- Maximum castor surface pressure at full load - 67.78 MPa
- Assembled gantry weight (excluding trolleys) - 155kg
- All welding to BS EN ISO 15614-2: 2005 by certified welders.
- For further details and assembly information refer to Operations and Maintenance Manual for Porta Gantry Product. (available at www.reidlifting.com)

Fall Protection Standards

- Certified to EN795:2012 Type B & supplied under PPE Regulation 2016/425
- Notified Body Witness tested to the requirements of PD CEN/TS16415:2013 for 5 persons
- Exceeds the requirements of IRATA ICOP & BS7985 (15kN MBL)
- Tested to and meets the requirements of ANSI Z359.18.2017 for 3 persons.

Materials & Finishes

- Frame and beam - 6082 T6 Aluminium alloy. Anodised.
- Castors - Steel. Bright Zinc Plated.
- Castor Wheels & Rollers - Aluminium & Polyurethane
- Fixings - Steel. Grade 12.9. Bright Zinc Plated.

Note: Master Link Trolleys shown in system as a reference



Approved

DO NOT SCALE DRAWING

REVISION **02**

REID
LIFTING

Reid Lifting Limited. Unit 1
Wyeview, Newhouse Farm Ind. Est.,
Chepstow, Monmouthshire.
NP16 6UD, UK

Tel +44(0)1291 620796
Fax: +44(0)1291 626490

www.reidlifting.com

enquiries@reidlifting.com

	NAME	DATE
DRAWN	TB	10/06/2021
CHK'D		
APPR'D	CM	13/03/2023

UNLESS OTHERWISE SPECIFIED:
DIMENSIONS ARE IN MILLIMETERS

ALL COPYRIGHT AND DESIGN RIGHT SUBSISTING IN THIS DOCUMENT IS THE PROPERTY OF REID LIFTING LIMITED AND MAY NOT BE REPRODUCED WITHOUT REID LIFTING'S CONSENT. THIS DOCUMENT AND THE INFORMATION CONTAINED WITHIN IT IS CONFIDENTIAL AND MAY NOT BE DISCLOSED TO ANY THIRD PARTY NOR USED FOR ANY UNAUTHORIZED PURPOSE WITHOUT REID LIFTING'S CONSENT



TITLE: **General Arrangement of REID Lifting Porta-Gantry Size Small - 4570mm Beam WLL3000kg**

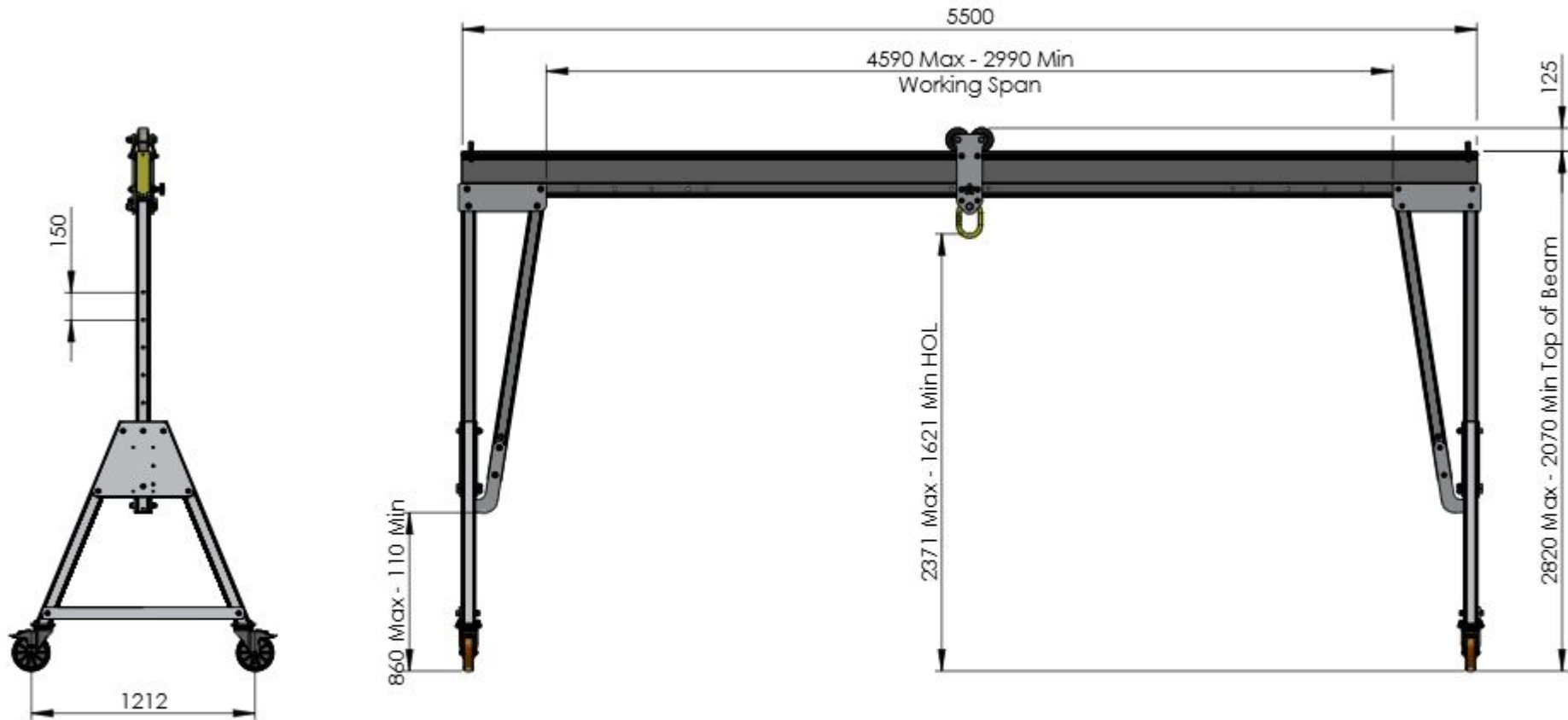
DWG NO. **PGSS03000S-4570B**

A4

Estimated Weight: 155 kg

1:35

SHEET 2 OF 2



DO NOT SCALE DRAWING

REVISION

01



Reid Lifting Limited. Unit 1
Wyeview, Newhouse Farm Ind. Est.,
Chepstow, Monmouthshire.
NP16 6UD, UK

Tel +44(0) 1291 620796
Fax +44(0) 1291 626490

www.reidlifting.com

enquiries@reidlifting.com

	NAME	DATE	FINISH:
DRAWN	TB	10/06/2021	Anodised
CHK'D			MATERIAL:
APPR'D	CM	11/02/2022	Aluminium Alloy
<small>ALL COPYRIGHT AND DESIGN RIGHT SUBSISTING IN THIS DOCUMENT IS THE PROPERTY OF REID LIFTING LIMITED AND MAY NOT BE REPRODUCED WITHOUT REID LIFTING'S CONSENT. THIS DOCUMENT AND THE INFORMATION CONTAINED WITHIN IT IS CONFIDENTIAL AND MAY NOT BE DISCLOSED TO ANY THIRD PARTY NOR USED FOR ANY UNAUTHORISED PURPOSE WITHOUT REID LIFTING'S CONSENT</small>			
<small>UNLESS OTHERWISE SPECIFIED: DIMENSIONS ARE IN MILLIMETERS</small>			



TITLE: **General Arrangement of REID Lifting Porta-Gantry Size Small - 5500mm Beam WLL3000kg**

DWG NO.

PGSS03000S-5500D

A4

Estimated Weight: 197 kg

1:35

SHEET 1 OF 2

General Specification

- Maximum rated capacity for goods lifting - 3000kg
- Maximum rated capacity for personnel lifting - 1500kg
- Beam deflection at maximum rated capacity of 3000kg - 30-40 mm at centre of span
- Maximum castor surface pressure at full load - 68.33 MPa
- Assembled gantry weight (excluding trolleys) - 197kg
- All welding to BS EN ISO 15614-2: 2005 by certified welders.
- For further details and assembly information refer to Operations and Maintenance Manual for Porta Gantry Product. (available at www.reidlifting.com)

Fall Protection Standards

- Certified to EN795:2012 Type B & supplied under PPE Regulation 2016/425
- Notified Body Witness tested to the requirements of PD CEN/TS16415:2013 for 5 persons
- Exceeds the requirements of IRATA ICOP & BS7985 (15kN MBL)
- Tested to and meets the requirements of ANSI Z359.18.2017 for 3 persons.

Materials & Finishes

- Frame and beam - 6082 T6 Aluminium alloy. Anodised.
- Castors - Steel. Bright Zinc Plated.
- Castor Wheels & Rollers - Aluminium & Polyurethane
- Fixings - Steel. Grade 12.9. Bright Zinc Plated.

Note: Master Link Trolleys shown in system as a reference



Approved

DO NOT SCALE DRAWING

REVISION

01



Reid Lifting Limited. Unit 1
Wyeview, Newhouse Farm Ind. Est.,
Chepstow, Monmouthshire.
NP16 6UD, UK

Tel +44(0)1291 620796
Fax: +44(0)1291 626490

www.reidlifting.com

enquiries@reidlifting.com

	NAME	DATE
DRAWN	TB	10/06/2021
CHK'D		
APP'VD	CM	11/02/2022

UNLESS OTHERWISE SPECIFIED:
DIMENSIONS ARE IN MILLIMETERS

ALL COPYRIGHT AND DESIGN RIGHT SUBSISTING IN THIS DOCUMENT IS THE PROPERTY OF REID LIFTING LIMITED AND MAY NOT BE REPRODUCED WITHOUT REID LIFTING'S CONSENT. THIS DOCUMENT AND THE INFORMATION CONTAINED WITHIN IT IS CONFIDENTIAL AND MAY NOT BE DISCLOSED TO ANY THIRD PARTY NOR USED FOR ANY UNAUTHORISED PURPOSE WITHOUT REID LIFTING'S CONSENT



TITLE: **General Arrangement of REID Lifting Porta-Gantry Size Small - 5500mm Beam WLL3000kg**

DWG NO.

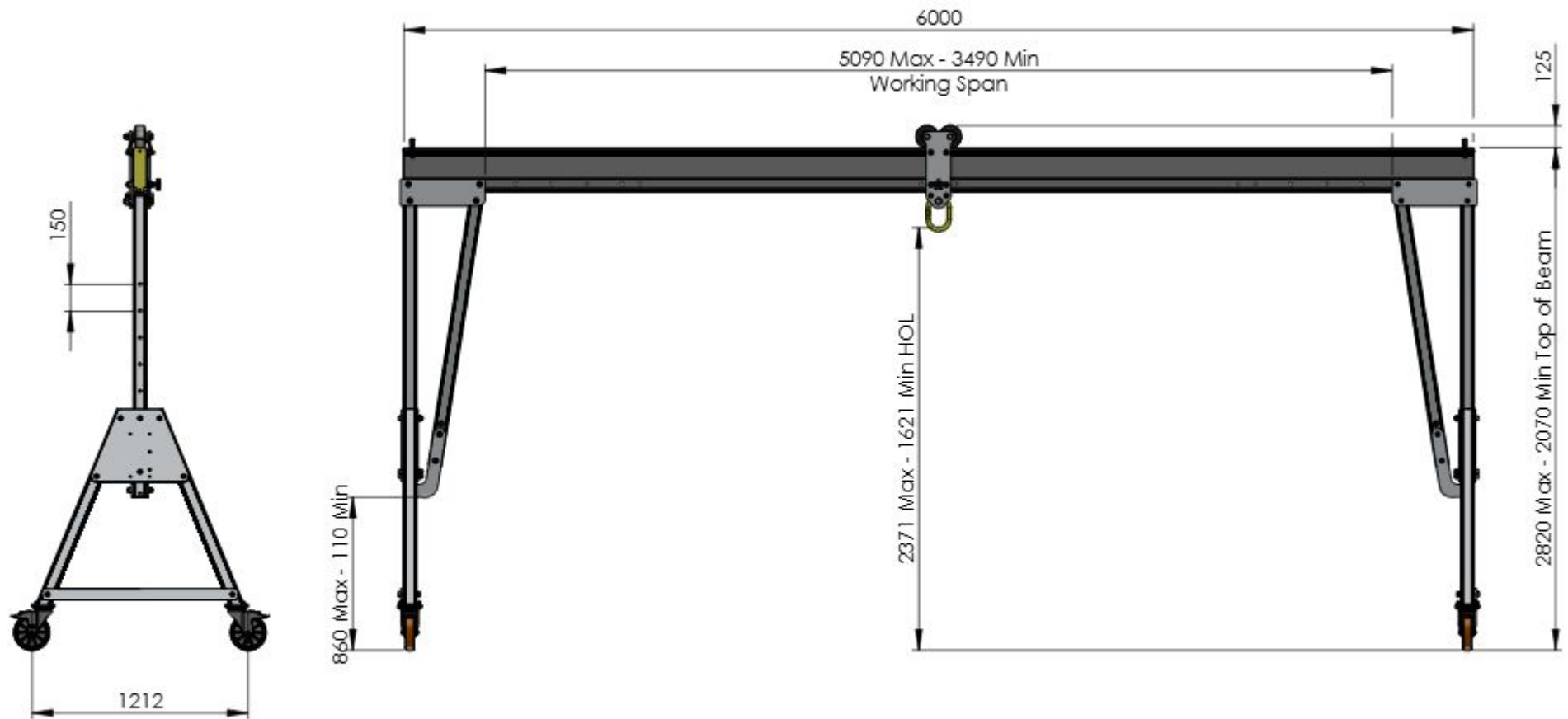
PGSS03000S-5500D

A4

Estimated Weight: 197 kg

1:45

SHEET 2 OF 2



DO NOT SCALE DRAWING

REVISION

01



Reid Lifting Limited. Unit 1
Wyeview, Newhouse Farm Ind. Est.,
Chepstow, Monmouthshire.
NP16 6UD, UK

Tel +44(0) 1291 620796
Fax +44(0) 1291 626490

www.reidlifting.com

enquiries@reidlifting.com

	NAME	DATE	FINISH:
DRAWN	TB	10/06/2021	Anodised
CHK'D			MATERIAL:
APPR'D	CM	11/02/2022	Aluminium Alloy

ALL COPYRIGHT AND DESIGN RIGHT SUBSISTING IN THIS DOCUMENT IS THE PROPERTY OF REID LIFTING LIMITED AND MAY NOT BE REPRODUCED WITHOUT REID LIFTING'S CONSENT. THIS DOCUMENT AND THE INFORMATION CONTAINED WITHIN IT IS CONFIDENTIAL AND MAY NOT BE DISCLOSED TO ANY THIRD PARTY NOR USED FOR ANY UNAUTHORISED PURPOSE WITHOUT REID LIFTING'S CONSENT

UNLESS OTHERWISE SPECIFIED:
DIMENSIONS ARE IN MILLIMETERS

TITLE:

**General Arrangement of REID
Lifting Porta-Gantry Size Small -
6000mm Beam WLL3000kg**

DWG NO.

PGSS03000S-6000D

A4

Estimated Weight: 205 kg

1:35

SHEET 1 OF 2

General Specification

- Maximum rated capacity for goods lifting - 3000kg
- Maximum rated capacity for personnel lifting - 1500kg
- Beam deflection at maximum rated capacity of 3000kg - 40-50 mm at centre of span
- Maximum castor surface pressure at full load - 68.42 MPa
- Assembled gantry weight (excluding trolleys) - 205kg
- All welding to BS EN ISO 15614-2: 2005 by certified welders.
- For further details and assembly information refer to Operations and Maintenance Manual for Porta Gantry Product. (available at www.reidlifting.com)

Fall Protection Standards

- Certified to EN795:2012 Type B & supplied under PPE Regulation 2016/425
- Notified Body Witness tested to the requirements of PD CEN/TS16415:2013 for 5 persons
- Exceeds the requirements of IRATA ICOP & BS7985 (15kN MBL)
- Tested to and meets the requirements of ANSI Z359.18.2017 for 3 persons.

Materials & Finishes

- Frame and beam - 6082 T6 Aluminium alloy. Anodised.
- Castors - Steel. Bright Zinc Plated.
- Castor Wheels & Rollers - Aluminium & Polyurethane
- Fixings - Steel. Grade 12.9. Bright Zinc Plated.

Note: Master Link Trolleys shown in system as a reference



Approved

DO NOT SCALE DRAWING

REVISION

01



Reid Lifting Limited. Unit 1
Wyeview, Newhouse Farm Ind. Est.,
Chepstow, Monmouthshire.
NP16 6UD, UK

Tel +44(0)1291 620796
Fax: +44(0)1291 626490

www.reidlifting.com

enquiries@reidlifting.com

	NAME	DATE
DRAWN	TB	10/06/2021
CHK'D		
APP'VD	CM	11/02/2022

UNLESS OTHERWISE SPECIFIED:
DIMENSIONS ARE IN MILLIMETERS

ALL COPYRIGHT AND DESIGN RIGHT SUBSISTING IN THIS DOCUMENT IS THE PROPERTY OF REID LIFTING LIMITED AND MAY NOT BE REPRODUCED WITHOUT REID LIFTING'S CONSENT. THIS DOCUMENT AND THE INFORMATION CONTAINED WITHIN IT IS CONFIDENTIAL AND MAY NOT BE DISCLOSED TO ANY THIRD PARTY NOR USED FOR ANY UNAUTHORISED PURPOSE WITHOUT REID LIFTING'S CONSENT



TITLE: **General Arrangement of REID Lifting Porta-Gantry Size Small - 6000mm Beam WLL3000kg**

DWG NO.

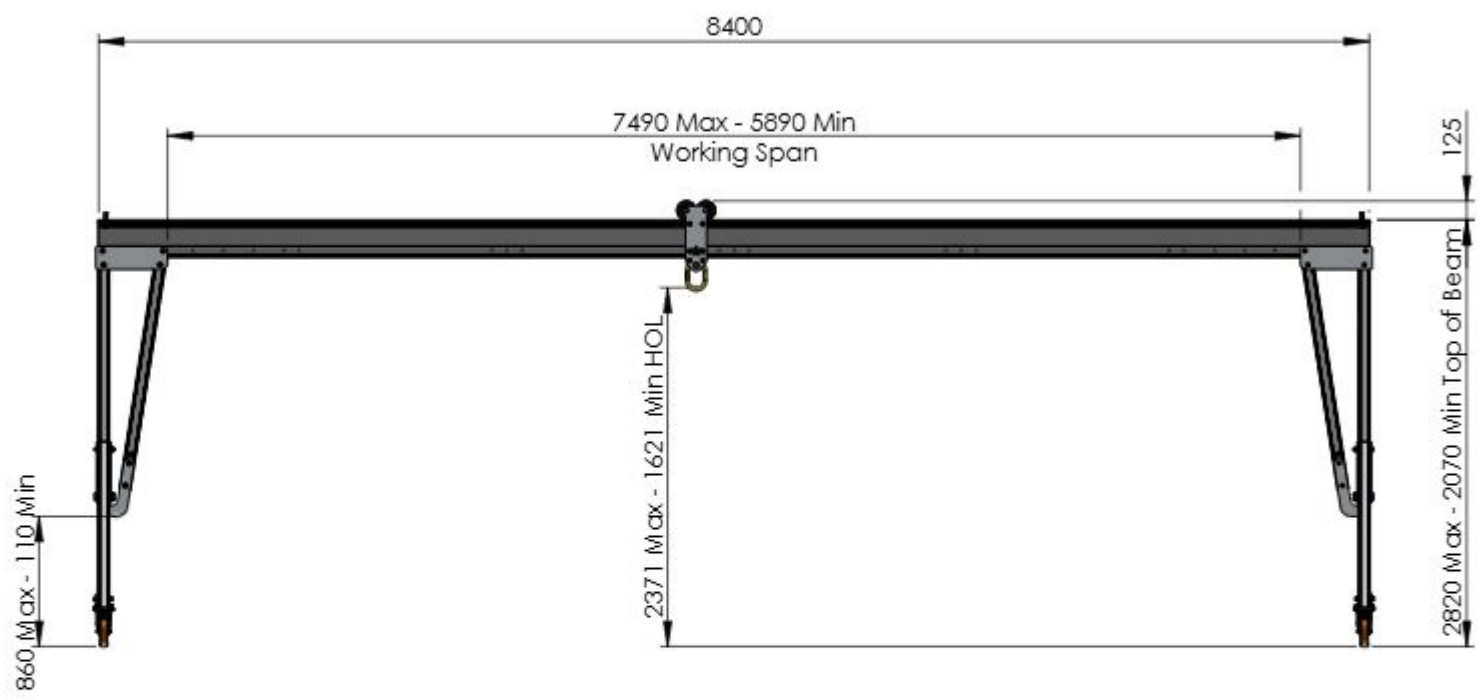
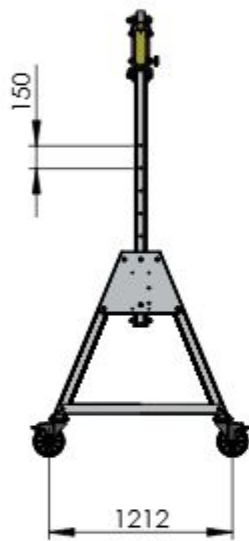
PGSS03000S-6000D

A4

Estimated Weight: 205 kg

1:45

SHEET 2 OF 2



DO NOT SCALE DRAWING

REVISION **01**



Reid Lifting Limited. Unit 1
Wyeview, Newhouse Farm Ind. Est.,
Chepstow, Monmouthshire.
NP16 6UD, UK

Tel +44(0) 1291 620796
Fax +44(0) 1291 626490

www.reidlifting.com

enquiries@reidlifting.com

	NAME	DATE	FINISH:
DRAWN	TB	10/06/2021	Anodised
CHK'D			MATERIAL:
APPR'D	CM	11/02/2022	Aluminium Alloy
<small>ALL COPYRIGHT AND DESIGN RIGHT SUBSISTING IN THIS DOCUMENT IS THE PROPERTY OF REID LIFTING LIMITED AND MAY NOT BE REPRODUCED WITHOUT REID LIFTING'S CONSENT. THIS DOCUMENT AND THE INFORMATION CONTAINED WITHIN IT IS CONFIDENTIAL AND MAY NOT BE DISCLOSED TO ANY THIRD PARTY NOR USED FOR ANY UNAUTHORISED PURPOSE WITHOUT REID LIFTING'S CONSENT</small>			
<small>UNLESS OTHERWISE SPECIFIED: DIMENSIONS ARE IN MILLIMETERS</small>			

TITLE: **General Arrangement of REID Lifting Porta-Gantry Size Small - 8400mm Beam WLL3000kg**

DWG NO.	PGSS03000S-8400D	A4
Estimated Weight:	242 kg	1:50
		SHEET 1 OF 2

General Specification

- Maximum rated capacity for goods lifting - 3000kg
- Maximum rated capacity for personnel lifting - 1500kg
- Beam deflection at maximum rated capacity of 3000kg - 100-110 mm at centre of span
- Maximum castor surface pressure at full load - 68.82 MPa
- Assembled gantry weight (excluding trollies) - 242kg
- All welding to BS EN ISO 15614-2: 2005 by certified welders.
- For further details and assembly information refer to Operations and Maintenance Manual for Porta Gantry Product. (available at www.reidlifting.com)

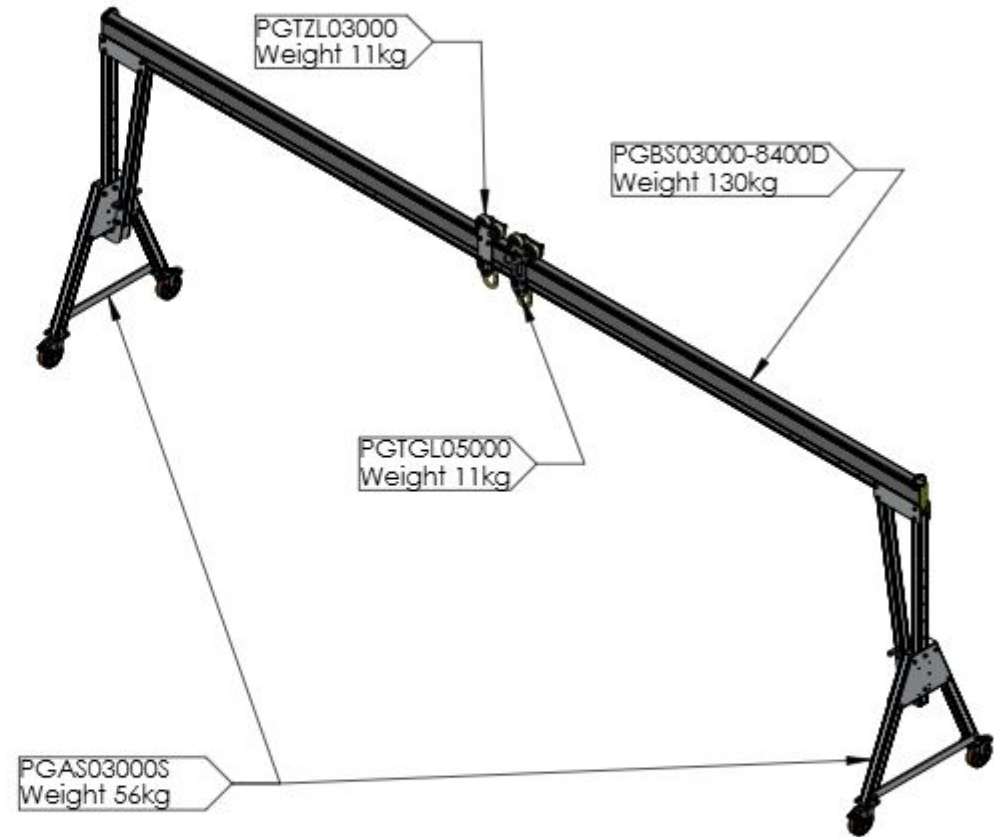
Fall Protection Standards

- Certified to EN795:2012 Type B & supplied under PPE Regulation 2016/425
- Notified Body Witness tested to the requirements of PD CEN/TS16415:2013 for 5 persons
- Exceeds the requirements of IRATA ICOP & BS7985 (15kN MBL)
- Tested to and meets the requirements of ANSI Z359.18.2017 for 3 persons.

Materials & Finishes

- Frame and beam - 6082 T6 Aluminium alloy. Anodised.
- Castors - Steel. Bright Zinc Plated.
- Castor Wheels & Rollers - Aluminium & Polyurethane
- Fixings - Steel. Grade 12.9. Bright Zinc Plated.

Note: Master Link Trolleys shown in system as a reference



Approved

DO NOT SCALE DRAWING

REVISION

01



Reid Lifting Limited. Unit 1
Wyeview, Newhouse Farm Ind. Est.,
Chepstow, Monmouthshire.
NP16 6UD, UK

Tel +44(0)1291 620796
Fax: +44(0)1291 626490

www.reidlifting.com

enquiries@reidlifting.com

	NAME	DATE
DRAWN	TB	10/06/2021
CHK'D		
APPR'D	CM	11/02/2022

UNLESS OTHERWISE SPECIFIED:
DIMENSIONS ARE IN MILLIMETERS

ALL COPYRIGHT AND DESIGN RIGHT SUBSISTING IN THIS DOCUMENT IS THE PROPERTY OF REID LIFTING LIMITED AND MAY NOT BE REPRODUCED WITHOUT REID LIFTING'S CONSENT. THIS DOCUMENT AND THE INFORMATION CONTAINED WITHIN IT IS CONFIDENTIAL AND MAY NOT BE DISCLOSED TO ANY THIRD PARTY NOR USED FOR ANY UNAUTHORIZED PURPOSE WITHOUT REID LIFTING'S CONSENT



TITLE:

General Arrangement of REID
Lifting Porta-Gantry Size Small -
8400mm Beam WLL3000kg

DWG NO.

PGSS03000S-8400D

A4

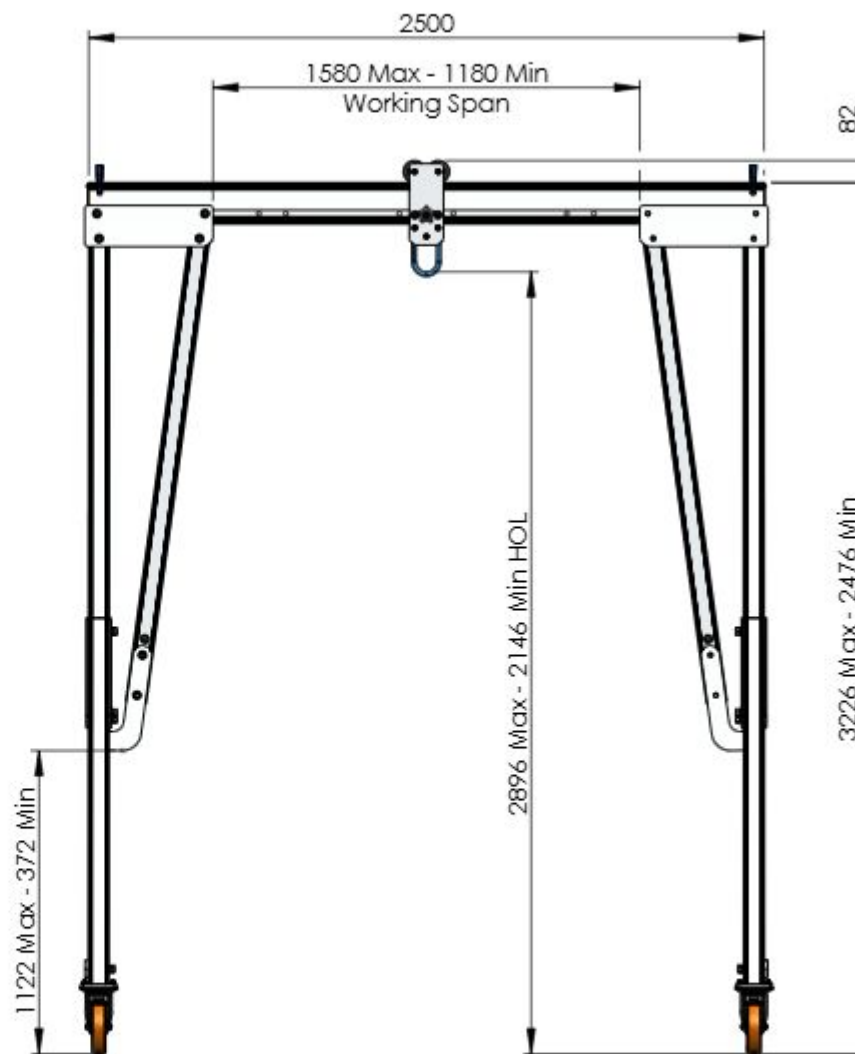
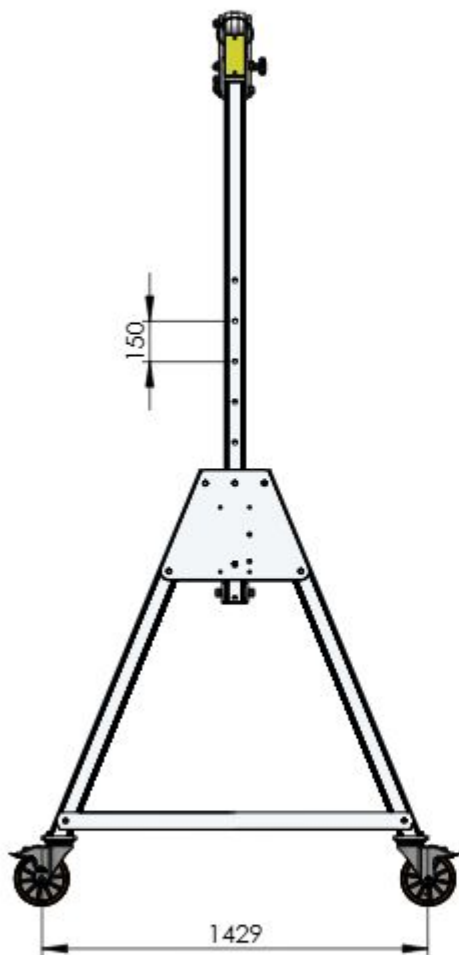
Estimated Weight: 242 kg

1:55

SHEET 2 OF 2



To ensure the stability of the structure, the working span of the beam must be equal to or greater than the distance between castors on the A-frame



DO NOT SCALE DRAWING

REVISION **02**



Reid Lifting Limited. Unit 1
Wyeview, Newhouse Farm Ind. Est.,
Chepstow, Monmouthshire,
NP16 6UD, UK

Tel +44(0) 1291 620796
Fax +44(0) 1291 626490

www.reidlifting.com

enquiries@reidlifting.com

	NAME	DATE	FINISH:
DRAWN	TB	27/05/2021	Anodised
CHK'D			MATERIAL:
APP'VD	CM	13/03/2023	Aluminium Alloy
<small>ALL COPYRIGHT AND DESIGN RIGHT SUBSISTING IN THIS DOCUMENT IS THE PROPERTY OF REID LIFTING LIMITED AND MAY NOT BE REPRODUCED WITHOUT REID LIFTING'S CONSENT. THIS DOCUMENT AND THE INFORMATION CONTAINED WITHIN IT IS CONFIDENTIAL AND MAY NOT BE DISCLOSED TO ANY THIRD PARTY NOR USED FOR ANY UNAUTHORISED PURPOSE WITHOUT REID LIFTING'S CONSENT</small>			
<small>UNLESS OTHERWISE SPECIFIED: DIMENSIONS ARE IN MILLIMETERS</small>			



TITLE: **General Arrangement of REID Lifting PORTA-GANTRY Size Medium - 2500mm Beam WLL3000kg**

DWG NO. **PGSS03000M-2500A** A4

Estimated Weight: 140 kg 1:28 SHEET 1 OF 2

General Specification

- Maximum rated capacity for goods lifting - 3000kg
- Maximum rated capacity for personnel lifting - 1500kg
- Beam deflection at maximum rated capacity of 3000kg - 15-20 mm at centre of span
- Maximum castor surface pressure at full load - 67.63 MPa
- Assembled gantry weight (excluding trolleys) - 140kg
- All welding to BS EN ISO 15614-2: 2005 by certified welders.
- For further details and assembly information refer to Operations and Maintenance Manual for Porta Gantry Product. (available at www.reidlifting.com)

Fall Protection Standards

- Certified to EN795:2012 Type B & supplied under PPE Regulation 2016/425
- Notified Body Witness tested to the requirements of PD CEN/TS16415:2013 for 5 persons
- Exceeds the requirements of IRATA ICOP & BS7985 (15kN MBL)
- Tested to and meets the requirements of ANSI Z359.18.2017 for 2 persons.

Materials & Finishes

- Frame and beam - 6082 T6 Aluminium alloy. Anodised.
- Castors - Steel. Bright Zinc Plated.
- Castor Wheels & Rollers - Aluminium & Polyurethane
- Fixings - Steel. Grade 12.9. Bright Zinc Plated.

PGTZO3000
Weight 8kg

Note: Master Link Trolleys shown in system as a reference

PGTGS03000
Weight 7kg



PGBS03000-2500A
Weight 18kg

PGAS03000M
Weight 61kg

Approved

DO NOT SCALE DRAWING

REVISION

02

REID
LIFTING

Reid Lifting Limited. Unit 1
Wyeview, Newhouse Farm Ind. Est.,
Chepstow, Monmouthshire.
NP16 6UD, UK

Tel +44(0)1291 620796
Fax: +44(0)1291 626490

www.reidlifting.com

enquiries@reidlifting.com

	NAME	DATE
DRAWN	TB	27/05/2021
CHK'D		
APPR'D	CM	13/03/2023

UNLESS OTHERWISE SPECIFIED:
DIMENSIONS ARE IN MILLIMETERS

ALL COPYRIGHT AND DESIGN RIGHT SUBSISTING IN THIS DOCUMENT IS THE PROPERTY OF REID LIFTING LIMITED AND MAY NOT BE REPRODUCED WITHOUT REID LIFTING'S CONSENT. THIS DOCUMENT AND THE INFORMATION CONTAINED WITHIN IT IS CONFIDENTIAL AND MAY NOT BE DISCLOSED TO ANY THIRD PARTY NOR USED FOR ANY UNAUTHORIZED PURPOSE WITHOUT REID LIFTING'S CONSENT



TITLE: **General Arrangement of REID Lifting PORTA-GANTRY Size Medium - 2500mm Beam WLL3000kg**

DWG NO.

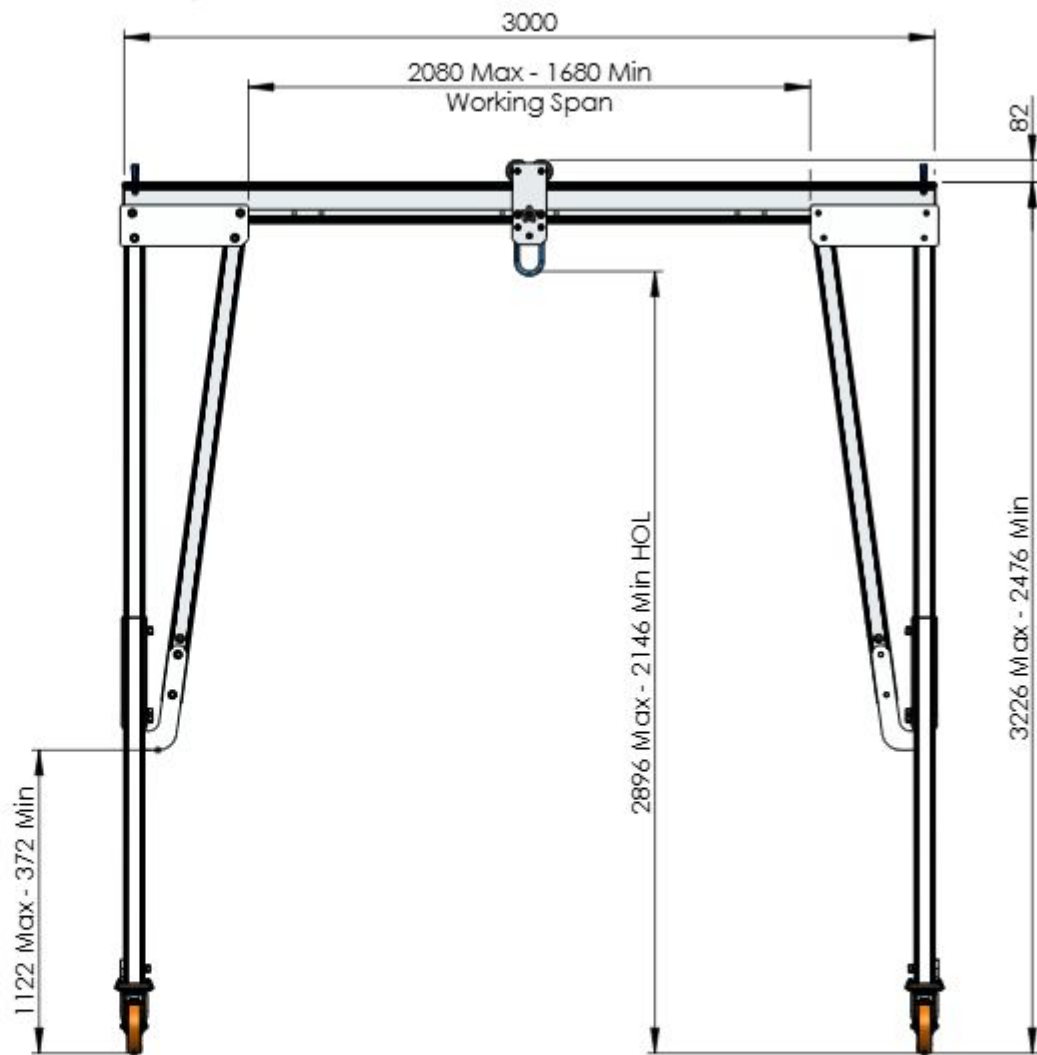
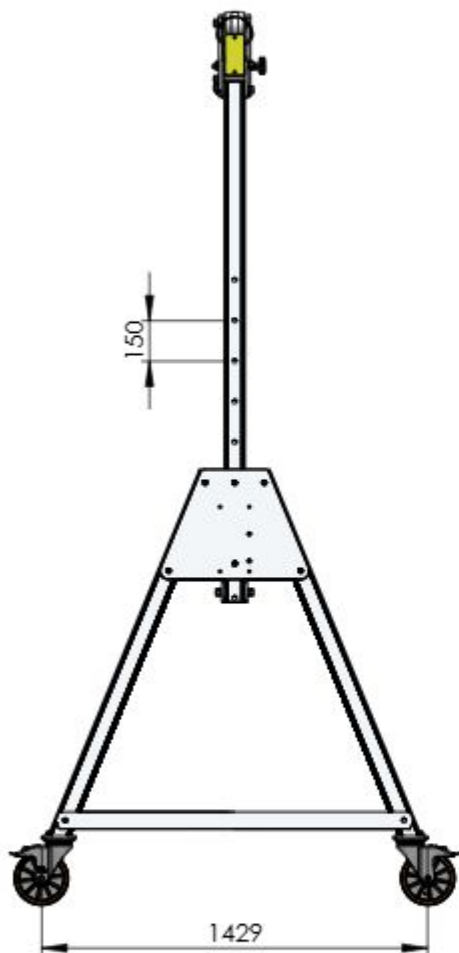
PGSS03000M-2500A

A4

Estimated Weight: 140 kg

1:30

SHEET 2 OF 2



DO NOT SCALE DRAWING

REVISION **02**



Reid Lifting Limited. Unit 1
Wyeview, Newhouse Farm Ind. Est.,
Chepstow, Monmouthshire.
NP16 6UD, UK

Tel +44(0) 1291 620796
Fax +44(0) 1291 626490

www.reidlifting.com

enquiries@reidlifting.com

	NAME	DATE	FINISH:
DRAWN	TB	07/07/2021	Anodised
CHK'D			MATERIAL:
APPR'D	CM	13/03/2023	Aluminium Alloy
<small>ALL COPYRIGHT AND DESIGN RIGHT SUBSISTING IN THIS DOCUMENT IS THE PROPERTY OF REID LIFTING LIMITED AND MAY NOT BE REPRODUCED WITHOUT REID LIFTING'S CONSENT. THIS DOCUMENT AND THE INFORMATION CONTAINED WITHIN IT IS CONFIDENTIAL AND MAY NOT BE DISCLOSED TO ANY THIRD PARTY NOR USED FOR ANY UNAUTHORISED PURPOSE WITHOUT REID LIFTING'S CONSENT</small>			
<small>UNLESS OTHERWISE SPECIFIED: DIMENSIONS ARE IN MILLIMETERS</small>			

TITLE: **General Arrangement of REID Lifting PORTA-GANTRY Size Medium - 3000mm Beam WLL3000kg**

DWG NO.	PGSS03000M-3000A	A4
Estimated Weight:	144 kg	1:28
		SHEET 1 OF 2

General Specification

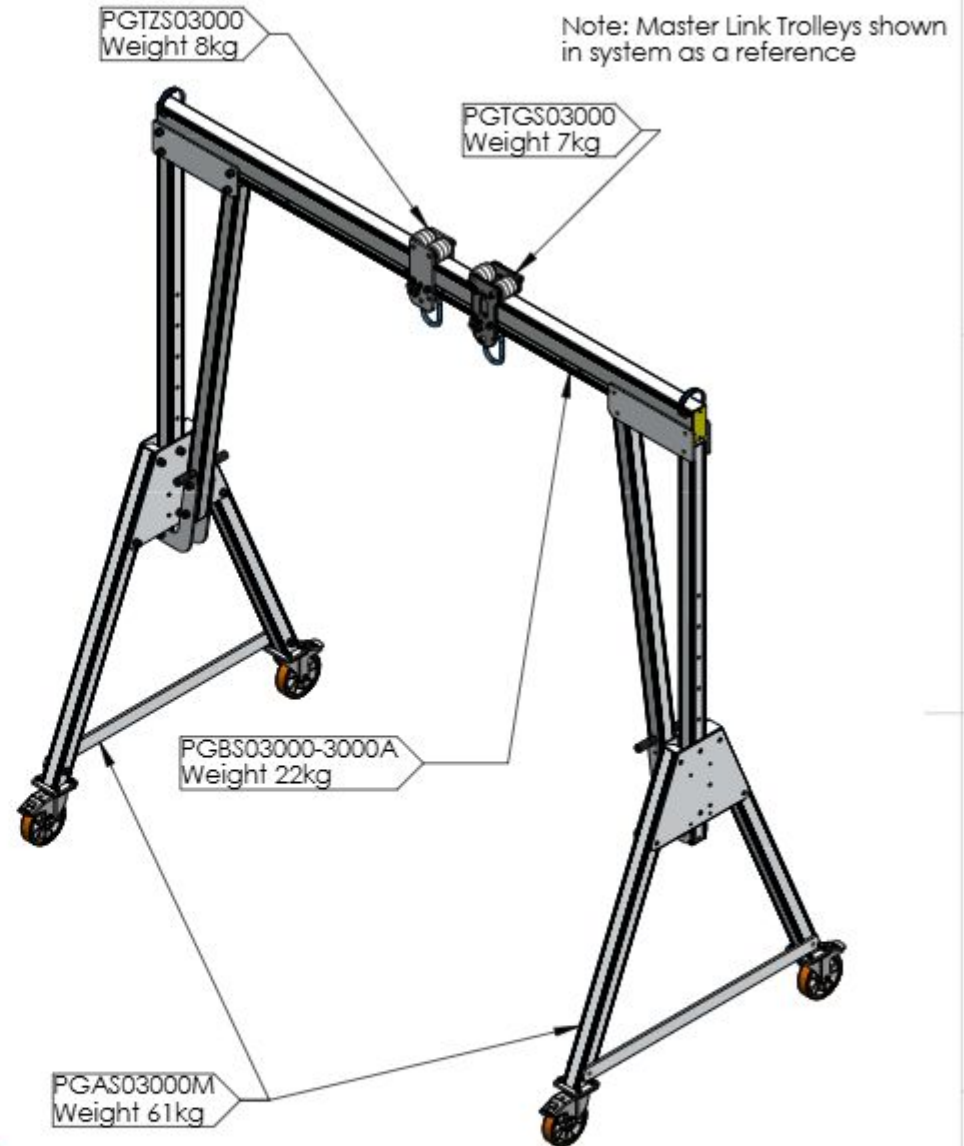
- Maximum rated capacity for goods lifting - 3000kg
- Maximum rated capacity for personnel lifting - 1500kg
- Beam deflection at maximum rated capacity of 3000kg - 20-25 mm at centre of span
- Maximum castor surface pressure at full load - 67.67 MPa
- Assembled gantry weight (excluding trolleys) - 144kg
- All welding to BS EN ISO 15614-2: 2005 by certified welders.
- For further details and assembly information refer to Operations and Maintenance Manual for Porta Gantry Product. (available at www.reidlifting.com)

Fall Protection Standards

- Certified to EN795:2012 Type B & supplied under PPE Regulation 2016/425
- Notified Body Witness tested to the requirements of PD CEN/TS16415:2013 for 5 persons
- Exceeds the requirements of IRATA ICOP & BS7985 (15kN MBL)
- Tested to and meets the requirements of ANSI Z359.18.2017 for 2 persons.

Materials & Finishes

- Frame and beam - 6082 T6 Aluminium alloy. Anodised.
- Castors - Steel. Bright Zinc Plated.
- Castor Wheels & Rollers - Aluminium & Polyurethane
- Fixings - Steel. Grade 12.9. Bright Zinc Plated.



Approved

DO NOT SCALE DRAWING

REVISION **02**



Reid Lifting Limited. Unit 1
Wyeview, Newhouse Farm Ind. Est.,
Chepstow, Monmouthshire.
NP16 6UD, UK

Tel +44(0)1291 620796
Fax: +44(0)1291 626490

www.reidlifting.com

enquiries@reidlifting.com

	NAME	DATE
DRAWN	TB	07/07/2021
CHK'D		
APPR'D	CM	13/03/2023

UNLESS OTHERWISE SPECIFIED:
DIMENSIONS ARE IN MILLIMETERS

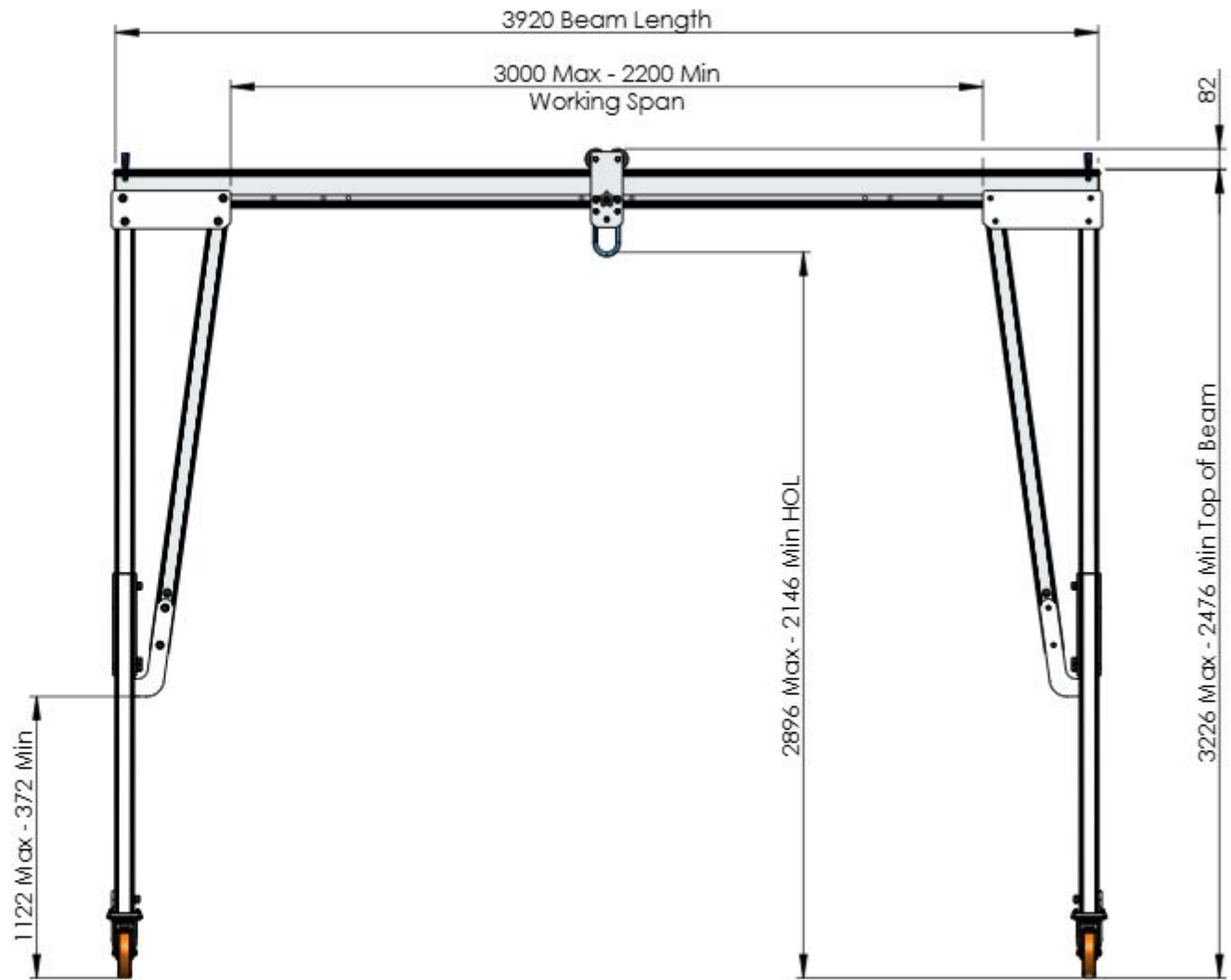
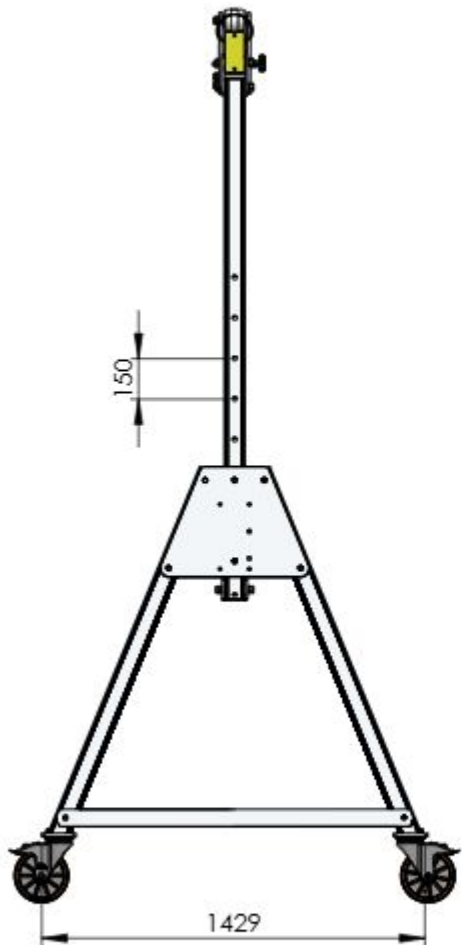
ALL COPYRIGHT AND DESIGN RIGHT SUBSISTING IN THIS DOCUMENT IS THE PROPERTY OF REID LIFTING LIMITED AND MAY NOT BE REPRODUCED WITHOUT REID LIFTING'S CONSENT. THIS DOCUMENT AND THE INFORMATION CONTAINED WITHIN IT IS CONFIDENTIAL AND MAY NOT BE DISCLOSED TO ANY THIRD PARTY NOR USED FOR ANY UNAUTHORISED PURPOSE WITHOUT REID LIFTING'S CONSENT



TITLE: **General Arrangement of REID Lifting PORTA-GANTRY Size Medium - 3000mm Beam WLL3000kg**

DWG NO. **PGSS03000M-3000A** **A4**

Estimated Weight: 144 kg 1:30 SHEET 2 OF 2



DO NOT SCALE DRAWING

REVISION **02**



Reid Lifting Limited. Unit 1
Wyeview, Newhouse Farm Ind. Est.,
Chepstow, Monmouthshire.
NP16 6UD, UK

Tel +44(0) 1291 620796
Fax +44(0) 1291 626490

www.reidlifting.com

enquiries@reidlifting.com

	NAME	DATE	FINISH:
DRAWN	SS	30/06/2021	Anodised
CHK'D			MATERIAL:
APPR'D	CM	13/03/2023	Aluminium Alloy
<small>ALL COPYRIGHT AND DESIGN RIGHT SUBSISTING IN THIS DOCUMENT IS THE PROPERTY OF REID LIFTING LIMITED AND MAY NOT BE REPRODUCED WITHOUT REID LIFTING'S CONSENT. THIS DOCUMENT AND THE INFORMATION CONTAINED WITHIN IT IS CONFIDENTIAL AND MAY NOT BE DISCLOSED TO ANY THIRD PARTY NOR USED FOR ANY UNAUTHORISED PURPOSE WITHOUT REID LIFTING'S CONSENT</small>			
<small>UNLESS OTHERWISE SPECIFIED: DIMENSIONS ARE IN MILLIMETERS</small>			



TITLE:
**General Arrangement of REID Lifting
Porta-Gantry Size Medium 3920mm
Beam WLL3000kg**

DWG NO. **PGSS03000M-3920B**

A4

Estimated Weight: 159kg

1:28

SHEET 1 OF 2

General Specification

- Maximum rated capacity for goods lifting - 3000kg
- Maximum rated capacity for personnel lifting - 1500kg
- Beam deflection at maximum rated capacity of 3000kg - between 35-45 mm at centre of span
- Maximum castor surface pressure at full load - 67.82 MPa
- Assembled gantry weight (excluding trolleys) - 159kg
- All welding to BS EN ISO 15614-2: 2005 by certified welders.
- For further details and assembly information refer to Operations and Maintenance Manual for Porta Gantry Product. (available at www.reidlifting.com)

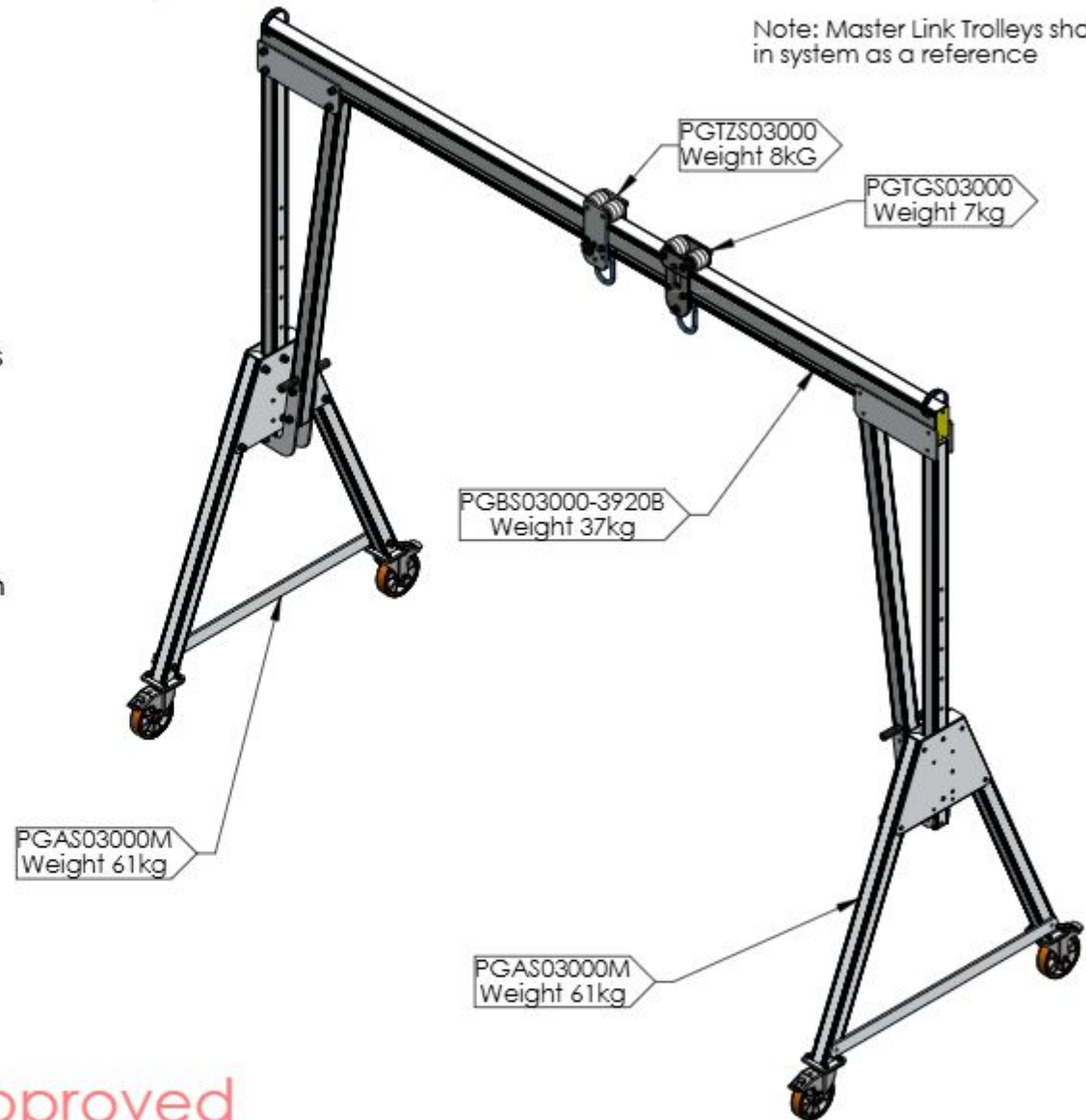
Fall Protection Standards

- Certified to EN795:2012 Type B & supplied under PPE Regulation 2016/425
- Notified Body Witness tested to the requirements of PD CEN/TS16415:2013 for 5 persons
- Exceeds the requirements of IRATA ICOP & BS7985 (15kN MBL)
- Tested to and meets the requirements of ANSI Z359.18.2017 for 3 persons.

Materials & Finishes

- Frame and beam - 6082 T6 Aluminium alloy. Anodised.
- Castors - Steel. Bright Zinc Plated.
- Castor Wheels & Rollers - Aluminium & Polyurethane
- Fixings - Steel. Grade 12.9. Bright Zinc Plated.

Note: Master Link Trolleys shown in system as a reference



Approved

DO NOT SCALE DRAWING

REVISION **02**



Reid Lifting Limited. Unit 1
Wyeview, Newhouse Farm Ind. Est.,
Chepstow, Monmouthshire.
NP16 6UD, UK

Tel +44(0)1291 620796
Fax: +44(0)1291 626490

www.reidlifting.com

enquiries@reidlifting.com

	NAME	DATE
DRAWN	SS	30/06/2021
CHK'D		
APPROV'D	CM	13/03/2023

UNLESS OTHERWISE SPECIFIED:
DIMENSIONS ARE IN MILLIMETERS

ALL COPYRIGHT AND DESIGN RIGHT SUBSISTING IN THIS DOCUMENT IS THE PROPERTY OF REID LIFTING LIMITED AND MAY NOT BE REPRODUCED WITHOUT REID LIFTING'S CONSENT. THIS DOCUMENT AND THE INFORMATION CONTAINED WITHIN IT IS CONFIDENTIAL AND MAY NOT BE DISCLOSED TO ANY THIRD PARTY NOR USED FOR ANY UNAUTHORIZED PURPOSE WITHOUT REID LIFTING'S CONSENT



TITLE:

General Arrangement of REID Lifting Porta-Gantry Size Medium 3920mm Beam WLL3000kg

DWG NO.

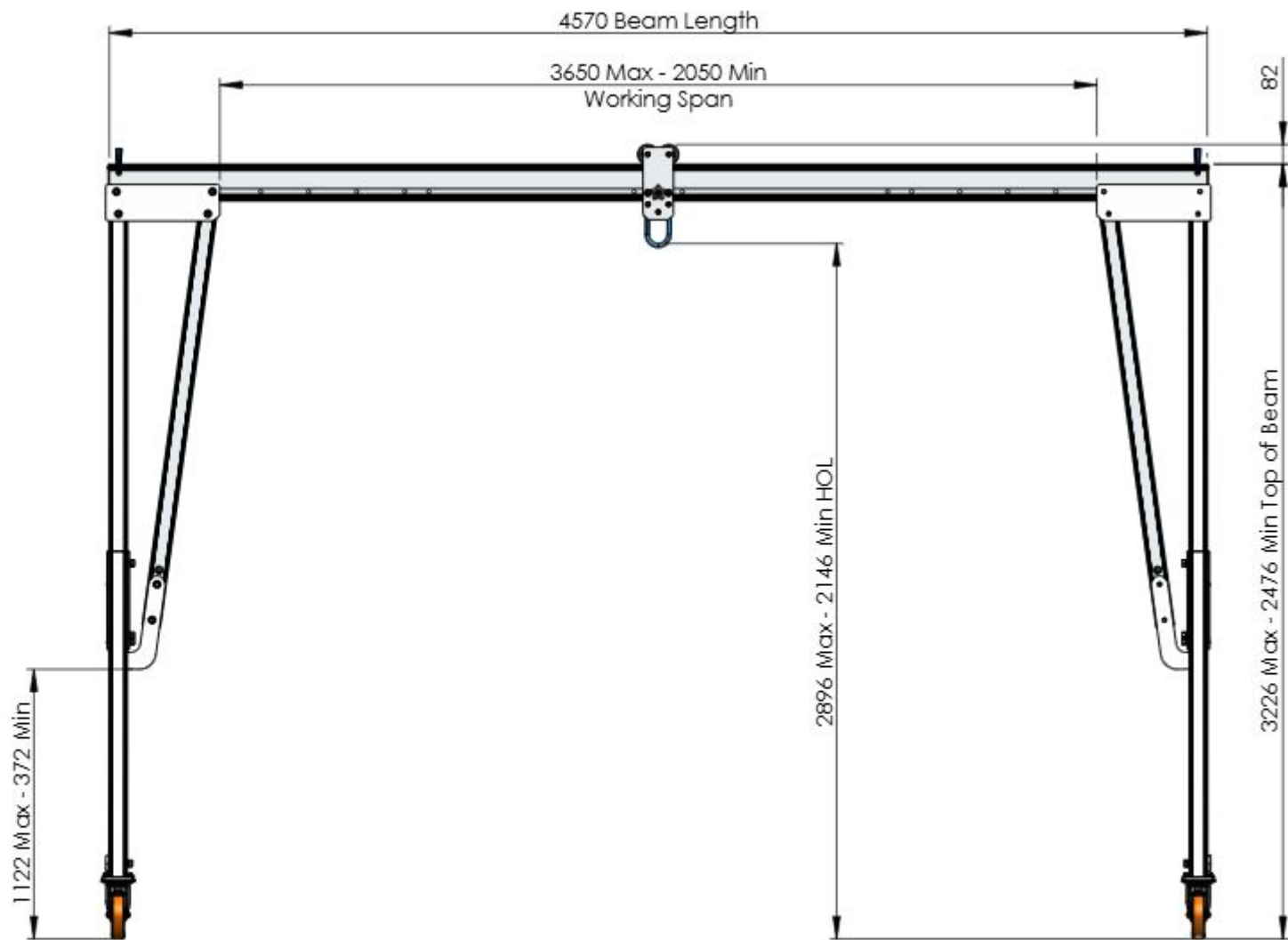
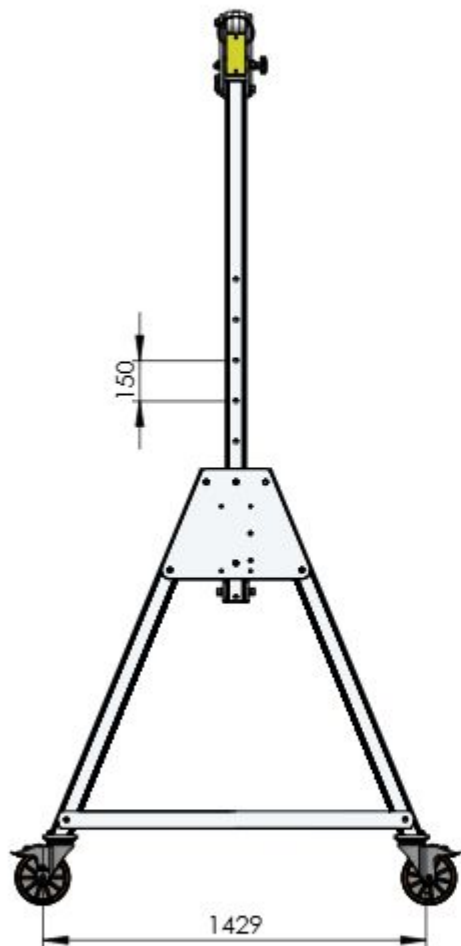
PGSS03000M-3920B

A4

Estimated Weight: 159kg

1:30

SHEET 2 OF 2



DO NOT SCALE DRAWING

REVISION **02**



Reid Lifting Limited. Unit 1
Wyeview, Newhouse Farm Ind. Est.,
Chepstow, Monmouthshire.
NP16 6UD, UK

Tel +44(0) 1291 620796
Fax +44(0) 1291 626490

www.reidlifting.com

enquiries@reidlifting.com

	NAME	DATE	FINISH:
DRAWN	TB	13/07/2021	Anodised
CHK'D			MATERIAL:
APPR'D	CM	13/03/2023	Aluminium Alloy
<small>ALL COPYRIGHT AND DESIGN RIGHT SUBSISTING IN THIS DOCUMENT IS THE PROPERTY OF REID LIFTING LIMITED AND MAY NOT BE REPRODUCED WITHOUT REID LIFTING'S CONSENT. THIS DOCUMENT AND THE INFORMATION CONTAINED WITHIN IT IS CONFIDENTIAL AND MAY NOT BE DISCLOSED TO ANY THIRD PARTY NOR USED FOR ANY UNAUTHORISED PURPOSE WITHOUT REID LIFTING'S CONSENT</small>			
<small>UNLESS OTHERWISE SPECIFIED: DIMENSIONS ARE IN MILLIMETERS</small>			



TITLE:
**General Arrangement of REID Lifting
Porta-Gantry Size Medium 4570mm
Beam WLL3000kg**

DWG NO. **PGSS03000M-4570B**

A4

Estimated Weight: 165kg

1:28

SHEET 1 OF 2

General Specification

- Maximum rated capacity for goods lifting - 3000kg
- Maximum rated capacity for personnel lifting - 1500kg
- Beam deflection at maximum rated capacity of 3000kg - between 60-70 mm at centre of span
- Maximum castor surface pressure at full load - 67.89 MPa
- Assembled gantry weight (excluding trollies) - 165kg
- All welding to BS EN ISO 15614-2: 2005 by certified welders.
- For further details and assembly information refer to Operations and Maintenance Manual for Porta Gantry Product. (available at www.reidlifting.com)

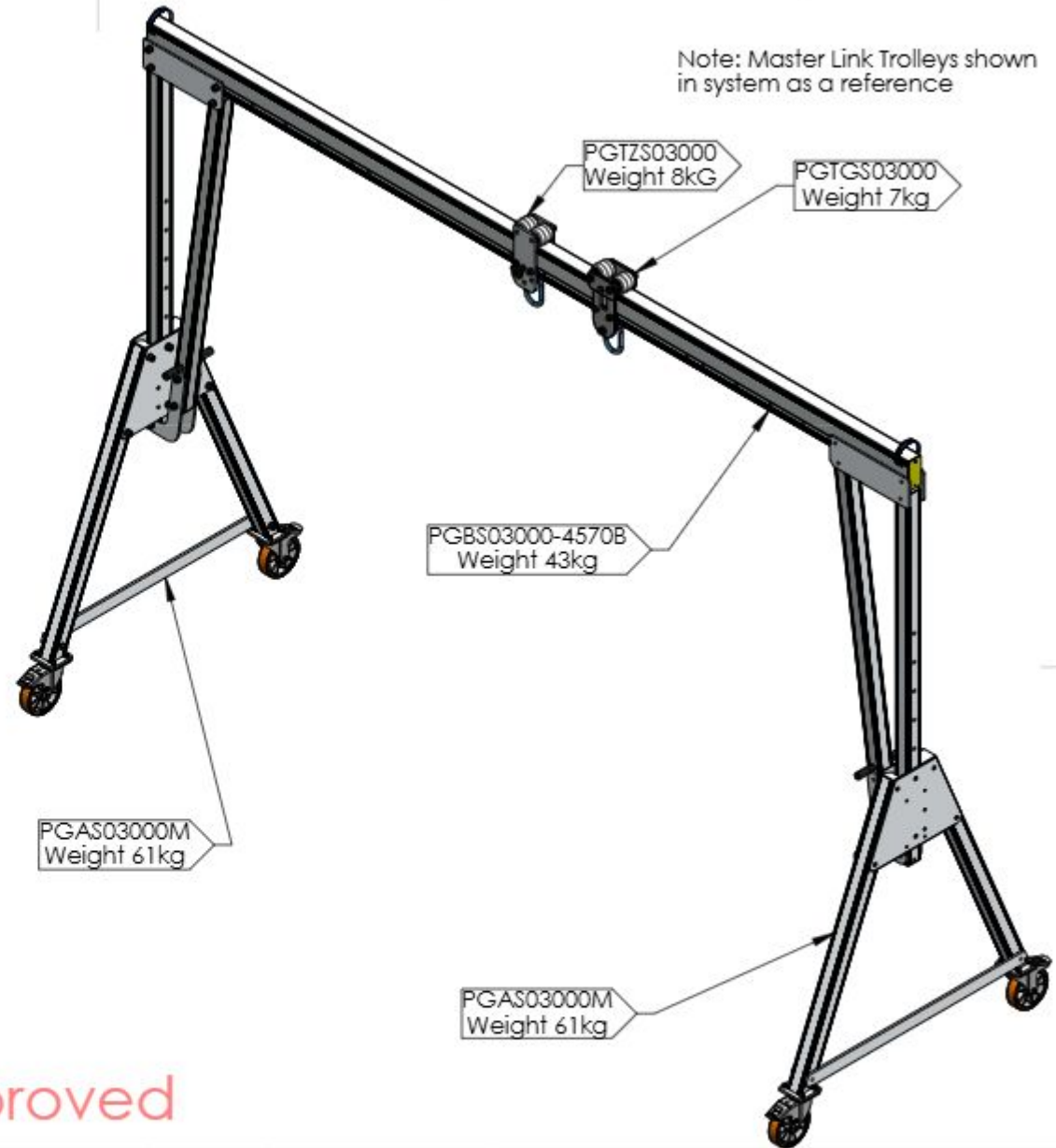
Fall Protection Standards

- Certified to EN795:2012 Type B & supplied under PPE Regulation 2016/425
- Notified Body Witness tested to the requirements of PD CEN/TS16415:2013 for 5 persons
- Exceeds the requirements of IRATA ICOP & BS7985 (15kN MBL)
- Tested to and meets the requirements of ANSI Z359.18.2017 for 3 persons.

Materials & Finishes

- Frame and beam - 6082 T6 Aluminium alloy. Anodised.
- Castors - Steel. Bright Zinc Plated.
- Castor Wheels & Rollers - Aluminium & Polyurethane
- Fixes - Steel. Grade 12:9. Bright Zinc Plated.

Note: Master Link Trolleys shown in system as a reference



Approved

DO NOT SCALE DRAWING

REVISION **02**



Reid Lifting Limited. Unit 1
Wyeview, Newhouse Farm Ind. Est.,
Chepstow, Monmouthshire.
NP16 6UD, UK

Tel +44(0)1291 620796
Fax: +44(0)1291 626490

www.reidlifting.com

enquiries@reidlifting.com

	NAME	DATE
DRAWN	TB	13/07/2021
CHK'D		
APPR'D	CM	13/03/2023

UNLESS OTHERWISE SPECIFIED:
DIMENSIONS ARE IN MILLIMETERS

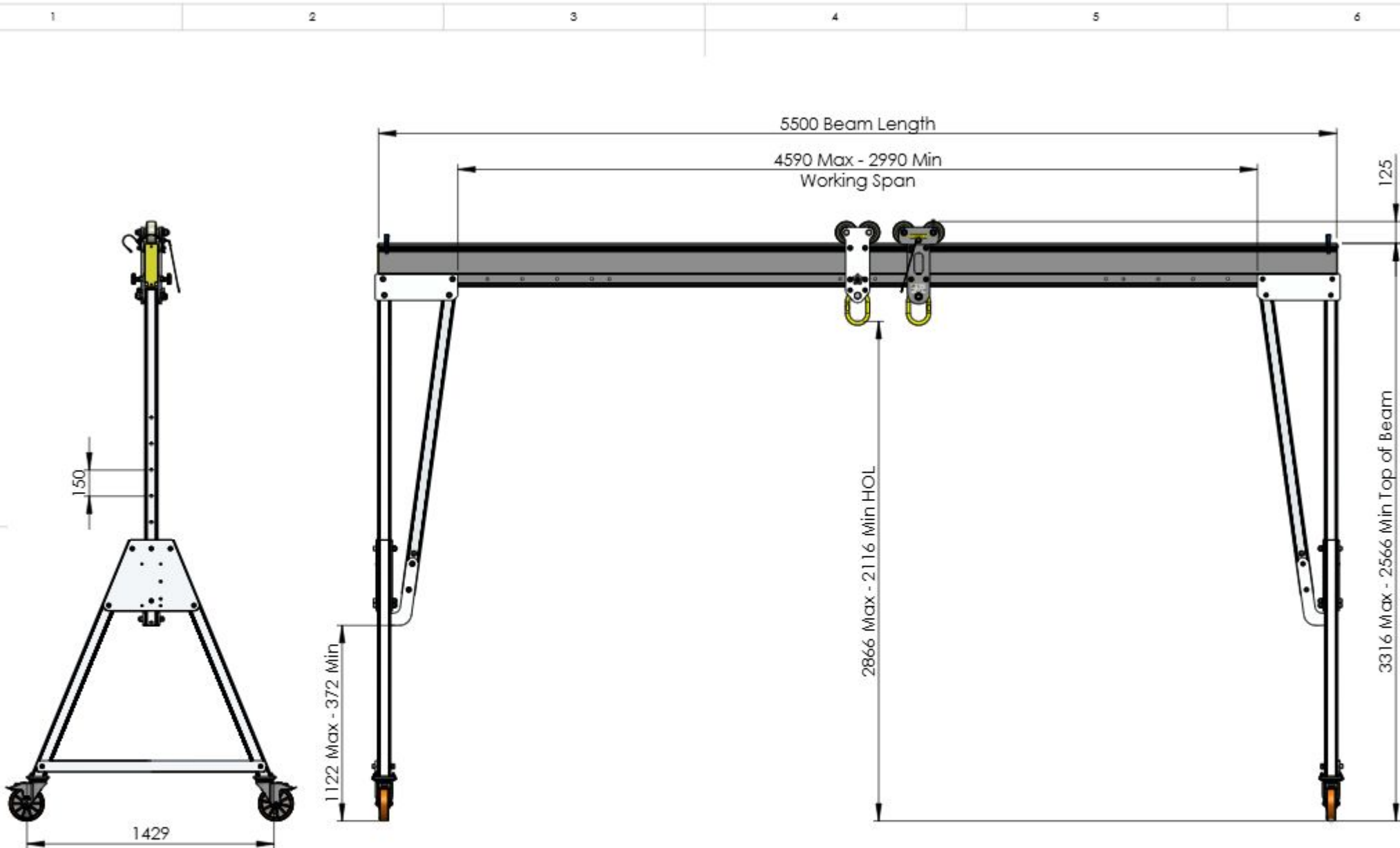
ALL COPYRIGHT AND DESIGN RIGHT SUBSISTING IN THIS DOCUMENT IS THE PROPERTY OF REID LIFTING LIMITED AND MAY NOT BE REPRODUCED WITHOUT REID LIFTING'S CONSENT. THIS DOCUMENT AND THE INFORMATION CONTAINED WITHIN IT IS CONFIDENTIAL AND MAY NOT BE DISCLOSED TO ANY THIRD PARTY NOR USED FOR ANY UNAUTHORISED PURPOSE WITHOUT REID LIFTING'S CONSENT



TITLE: **General Arrangement of REID Lifting Porta-Gantry Size Medium 4570mm Beam WLL3000kg**

DWG NO. **PGSS03000M-4570B** A4

Estimated Weight: 165kg 1:30 SHEET 2 OF 2



DO NOT SCALE DRAWING

REVISION

01



Reid Lifting Limited. Unit 1
Wyeview, Newhouse Farm Ind. Est.,
Chepstow, Monmouthshire.
NP16 6UD, UK

Tel +44(0) 1291 620796
Fax +44(0) 1291 626490

www.reidlifting.com

enquiries@reidlifting.com

	NAME	DATE	FINISH:
DRAWN	TB	13/07/2021	Anodised
CHK'D			MATERIAL:
APPR'D	CM	11/02/2022	Aluminium Alloy
<small>ALL COPYRIGHT AND DESIGN RIGHT SUBSISTING IN THIS DOCUMENT IS THE PROPERTY OF REID LIFTING LIMITED AND MAY NOT BE REPRODUCED WITHOUT REID LIFTING'S CONSENT. THIS DOCUMENT AND THE INFORMATION CONTAINED WITHIN IT IS CONFIDENTIAL AND MAY NOT BE DISCLOSED TO ANY THIRD PARTY NOR USED FOR ANY UNAUTHORISED PURPOSE WITHOUT REID LIFTING'S CONSENT</small>			
<small>UNLESS OTHERWISE SPECIFIED: DIMENSIONS ARE IN MILLIMETERS</small>			



TITLE:

**General Arrangement of REID Lifting
Porta-Gantry Size Medium 5500mm
Beam WLL3000kg**

DWG NO.

PGSS03000M-5500D

A4

Estimated Weight: 207kg

1:30

SHEET 1 OF 2

General Specification

- Maximum rated capacity for goods lifting - 3000kg
- Maximum rated capacity for personnel lifting - 1500kg
- Beam deflection at maximum rated capacity of 3000kg - between 30-40 mm at centre of span
- Maximum castor surface pressure at full load - 68.44 MPa
- Assembled gantry weight (excluding trollies) - 207kg
- All welding to BS EN ISO 15614-2: 2005 by certified welders.
- For further details and assembly information refer to Operations and Maintenance Manual for Porta Gantry Product. (available at www.reidlifting.com)

Fall Protection Standards

- Certified to EN795:2012 Type B & supplied under PPE Regulation 2016/425
- Notified Body Witness tested to the requirements of PD CEN/TS16415:2013 for 5 persons
- Exceeds the requirements of IRATA ICOP & BS7985 (15kN MBL)
- Tested to and meets the requirements of ANSI Z359.18.2017 for 3 persons.

Materials & Finishes

- Frame and beam - 6082 T6 Aluminium alloy. Anodised.
- Castors - Steel. Bright Zinc Plated.
- Castor Wheels & Rollers - Aluminium & Polyurethane
- Fixings - Steel. Grade 12.9. Bright Zinc Plated.

Note: Master Link Trolleys shown in system as a reference



Approved

DO NOT SCALE DRAWING

REVISION **01**



Reid Lifting Limited. Unit 1
Wyeview, Newhouse Farm Ind. Est.,
Chepstow, Monmouthshire.
NP16 6UD, UK

Tel +44(0)1291 620796
Fax: +44(0)1291 626490

www.reidlifting.com

enquiries@reidlifting.com

	NAME	DATE
DRAWN	TB	13/07/2021
CHK'D		
APPR'D	CM	11/02/2022

UNLESS OTHERWISE SPECIFIED:
DIMENSIONS ARE IN MILLIMETERS

ALL COPYRIGHT AND DESIGN RIGHT SUBSISTING IN THIS DOCUMENT IS THE PROPERTY OF REID LIFTING LIMITED AND MAY NOT BE REPRODUCED WITHOUT REID LIFTING'S CONSENT. THIS DOCUMENT AND THE INFORMATION CONTAINED WITHIN IT IS CONFIDENTIAL AND MAY NOT BE DISCLOSED TO ANY THIRD PARTY NOR USED FOR ANY UNAUTHORIZED PURPOSE WITHOUT REID LIFTING'S CONSENT



TITLE:

General Arrangement of REID Lifting Porta-Gantry Size Medium 5500mm Beam WLL3000kg

DWG NO.

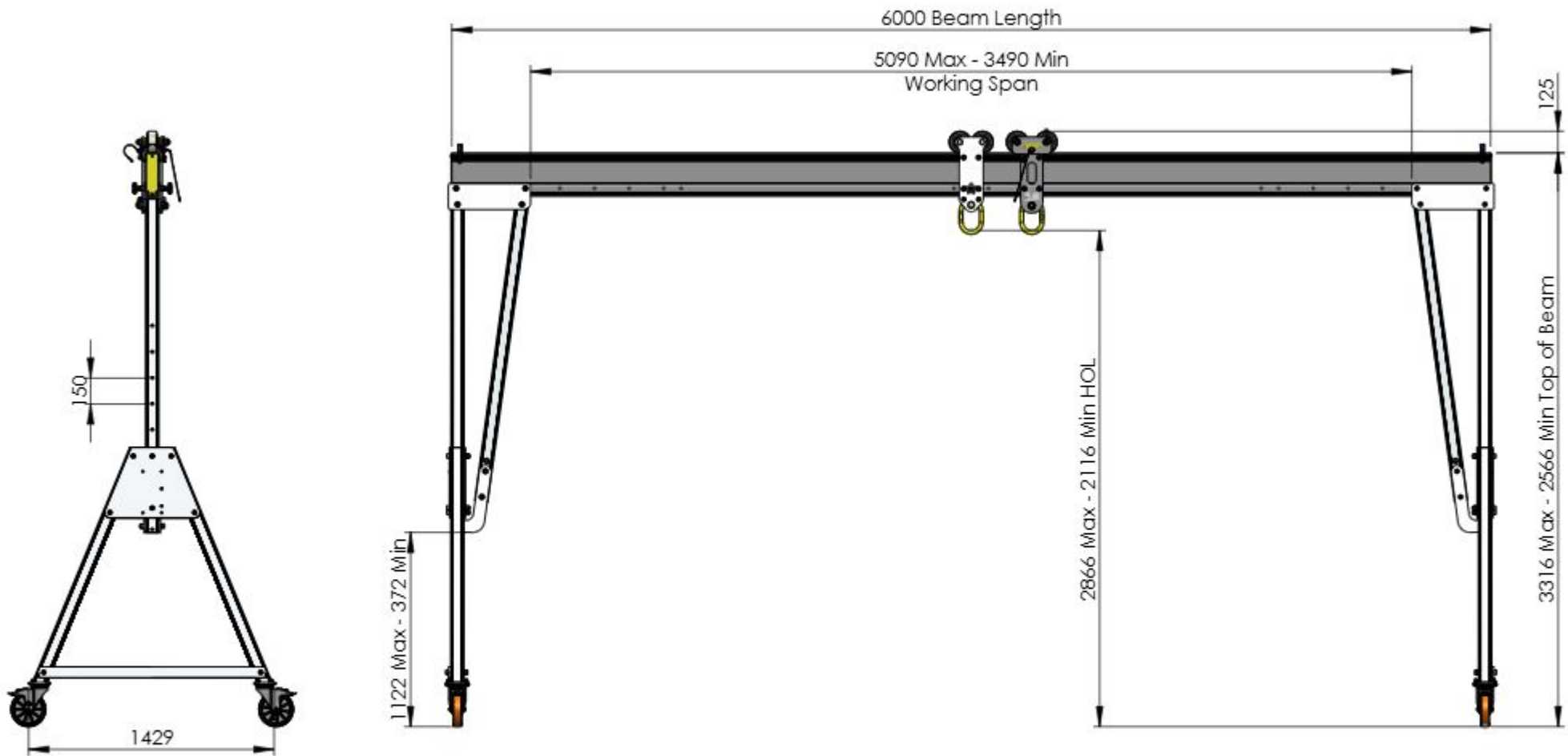
PGSS03000M-5500D

A4

Estimated Weight: 207kg

1:40

SHEET 2 OF 2



DO NOT SCALE DRAWING

REVISION

01



Reid Lifting Limited. Unit 1
Wyeview, Newhouse Farm Ind. Est.,
Chepstow, Monmouthshire.
NP16 6UD, UK

Tel +44(0) 1291 620796
Fax +44(0) 1291 626490

www.reidlifting.com

enquiries@reidlifting.com

	NAME	DATE	FINISH:
DRAWN	TB	13/07/2021	Anodised
CHK'D			MATERIAL:
APP'VD	CM	11/02/2022	Aluminium Alloy
<small>ALL COPYRIGHT AND DESIGN RIGHT SUBSISTING IN THIS DOCUMENT IS THE PROPERTY OF REID LIFTING LIMITED AND MAY NOT BE REPRODUCED WITHOUT REID LIFTING'S CONSENT. THIS DOCUMENT AND THE INFORMATION CONTAINED WITHIN IT IS CONFIDENTIAL AND MAY NOT BE DISCLOSED TO ANY THIRD PARTY NOR USED FOR ANY UNAUTHORISED PURPOSE WITHOUT REID LIFTING'S CONSENT</small>			
<small>UNLESS OTHERWISE SPECIFIED: DIMENSIONS ARE IN MILLIMETERS</small>			



TITLE:

**General Arrangement of REID Lifting
Porta-Gantry Size Medium 6000mm
Beam WLL3000kg**

DWG NO.

PGSS03000M-6000D

A4

Estimated Weight: 215kg

1:35

SHEET 1 OF 2

General Specification

- Maximum rated capacity for goods lifting - 3000kg
- Maximum rated capacity for personnel lifting - 1500kg
- Beam deflection at maximum rated capacity of 3000kg - between 40-50 mm at centre of span
- Maximum castor surface pressure at full load - 68.53 MPa
- Assembled gantry weight (excluding trolleys) - 215kg
- All welding to BS EN ISO 15614-2: 2005 by certified welders.
- For further details and assembly information refer to Operations and Maintenance Manual for Porta Gantry Product. (available at www.reidlifting.com)

Fall Protection Standards

- Certified to EN795:2012 Type B & supplied under PPE Regulation 2016/425
- Notified Body Witness tested to the requirements of PD CEN/TS16415:2013 for 5 persons
- Exceeds the requirements of IRATA ICOP & BS7985 (15kN MBL)
- Tested to and meets the requirements of ANSI Z359.18.2017 for 3 persons.

Materials & Finishes

- Frame and beam - 6082 T6 Aluminium alloy. Anodised.
- Castors - Steel. Bright Zinc Plated.
- Castor Wheels & Rollers - Aluminium & Polyurethane
- Fixings - Steel. Grade 12.9. Bright Zinc Plated.

Note: Master Link Trolleys shown in system as a reference



Approved

DO NOT SCALE DRAWING

REVISION

01



Reid Lifting Limited. Unit 1
Wyeview, Newhouse Farm Ind. Est.,
Chepstow, Monmouthshire.
NP16 6UD, UK

Tel +44(0)1291 620796
Fax: +44(0)1291 626490

www.reidlifting.com

enquiries@reidlifting.com

	NAME	DATE
DRAWN	TB	13/07/2021
CHK'D		
APP'VD	CM	11/02/2022

UNLESS OTHERWISE SPECIFIED:
DIMENSIONS ARE IN MILLIMETERS

ALL COPYRIGHT AND DESIGN RIGHT SUBSISTING IN THIS DOCUMENT IS THE PROPERTY OF REID LIFTING LIMITED AND MAY NOT BE REPRODUCED WITHOUT REID LIFTING'S CONSENT. THIS DOCUMENT AND THE INFORMATION CONTAINED WITHIN IT IS CONFIDENTIAL AND MAY NOT BE DISCLOSED TO ANY THIRD PARTY NOR USED FOR ANY UNAUTHORISED PURPOSE WITHOUT REID LIFTING'S CONSENT



TITLE:

**General Arrangement of REID
Lifting Porta-Gantry Size Medium
6000mm Beam WLL3000kg**

DWG NO.

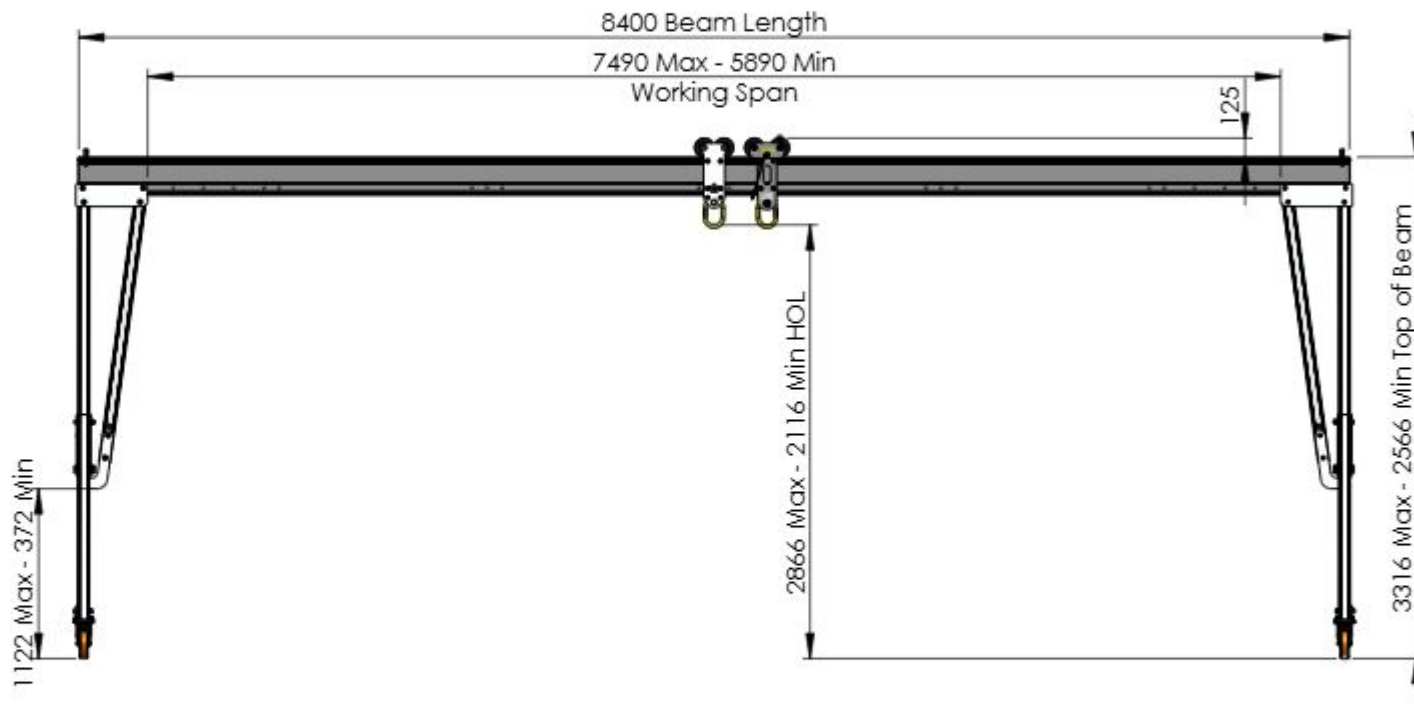
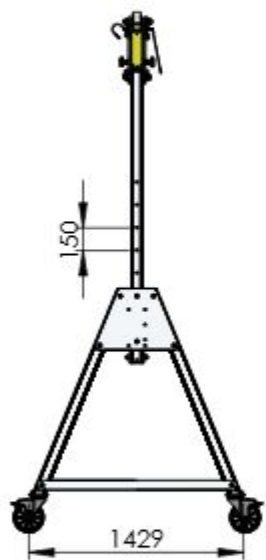
PGSS03000M-6000D

A4

Estimated Weight: 215kg

1:40

SHEET 2 OF 2



DO NOT SCALE DRAWING

REVISION **01**



Reid Lifting Limited. Unit 1
Wyeview, Newhouse Farm Ind. Est.,
Chepstow, Monmouthshire.
NP16 6UD, UK

Tel +44(0) 1291 620796
Fax +44(0) 1291 626490

www.reidlifting.com

enquiries@reidlifting.com

	NAME	DATE	FINISH:
DRAWN	TB	13/07/2021	Anodised
CHK'D			MATERIAL:
APP'VD	CM	11/02/2022	Aluminium Alloy

ALL COPYRIGHT AND DESIGN RIGHT SUBSISTING IN THIS DOCUMENT IS THE PROPERTY OF REID LIFTING LIMITED AND MAY NOT BE REPRODUCED WITHOUT REID LIFTING'S CONSENT. THIS DOCUMENT AND THE INFORMATION CONTAINED WITHIN IT IS CONFIDENTIAL AND MAY NOT BE DISCLOSED TO ANY THIRD PARTY NOR USED FOR ANY UNAUTHORISED PURPOSE WITHOUT REID LIFTING'S CONSENT

UNLESS OTHERWISE SPECIFIED:
DIMENSIONS ARE IN MILLIMETERS



TITLE:
**General Arrangement of REID Lifting
Porta-Gantry Size Medium 8400mm
Beam WLL3000kg**

DWG NO. **PGSS03000M-8400D**

A4

Estimated Weight: 252kg

1:50

SHEET 1 OF 2

General Specification

- Maximum rated capacity for goods lifting - 3000kg
- Maximum rated capacity for personnel lifting - 1500kg
- Beam deflection at maximum rated capacity of 3000kg - between 100-110 mm at centre of span
- Maximum castor surface pressure at full load - 68.93 MPa
- Assembled gantry weight (excluding trolleys) - 252kg
- All welding to BS EN ISO 15614-2: 2005 by certified welders.
- For further details and assembly information refer to Operations and Maintenance Manual for Porta Gantry Product. (available at www.reidlifting.com)

Fall Protection Standards

- Certified to EN795:2012 Type B & supplied under PPE Regulation 2016/425
- Notified Body Witness tested to the requirements of PD CEN/TS16415:2013 for 5 persons
- Exceeds the requirements of IRATA ICOP & BS7985 (15kN MBL)
- Tested to and meets the requirements of ANSI Z359.18.2017 for 3 persons.

Materials & Finishes

- Frame and beam - 6082 T6 Aluminium alloy. Anodised.
- Castors - Steel. Bright Zinc Plated.
- Castor Wheels & Rollers - Aluminium & Polyurethane
- Fixings - Steel. Grade 12.9. Bright Zinc Plated.

Note: Master Link Trolleys shown in system as a reference



Approved

DO NOT SCALE DRAWING

REVISION **01**



Reid Lifting Limited. Unit 1
Wyeview, Newhouse Farm Ind. Est.,
Chepstow, Monmouthshire.
NP16 6UD, UK

Tel +44(0)1291 620796
Fax: +44(0)1291 626490

www.reidlifting.com

enquiries@reidlifting.com

	NAME	DATE
DRAWN	TB	13/07/2021
CHK'D		
APPR'D	CM	11/02/2022

UNLESS OTHERWISE SPECIFIED:
DIMENSIONS ARE IN MILLIMETERS

ALL COPYRIGHT AND DESIGN RIGHT SUBSISTING IN THIS DOCUMENT IS THE PROPERTY OF REID LIFTING LIMITED AND MAY NOT BE REPRODUCED WITHOUT REID LIFTING'S CONSENT. THIS DOCUMENT AND THE INFORMATION CONTAINED WITHIN IT IS CONFIDENTIAL AND MAY NOT BE DISCLOSED TO ANY THIRD PARTY NOR USED FOR ANY UNAUTHORIZED PURPOSE WITHOUT REID LIFTING'S CONSENT



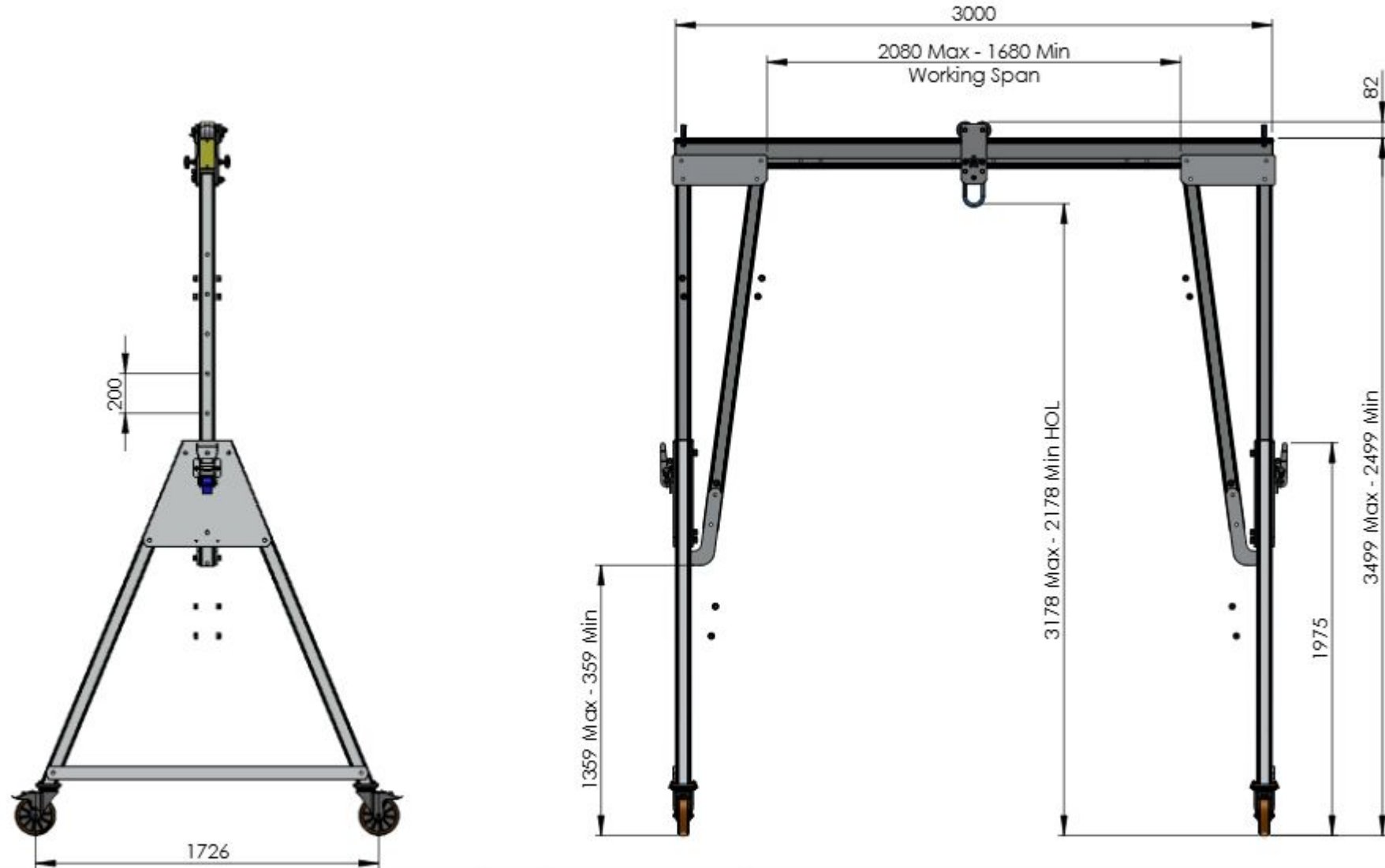
TITLE: **General Arrangement of REID Lifting Porta-Gantry Size Medium 8400mm Beam WLL3000kg**

DWG NO. **PGSS03000M-8400D** A4

Estimated Weight: 252kg 1:50 SHEET 2 OF 2



To ensure the stability of the struture, the working span of the beam must be equal to or greater than the distance between castors on the A-frame



DO NOT SCALE DRAWING

REVISION

02



Reid Lifting Limited, Unit 1, Wyeview,
Newhouse Farm, Ind Est, Chepstow,
Monmouth, NP16 6UD, UK

Tel +44(0) 1291 620796

Fax +44(0) 1291 626490

www.reidlifting.com

enquiries@reidlifting.com

	NAME	DATE	FINISH:
DRAWN	SS	17/05/2021	Anodised
CHK'D	-	-	MATERIAL:
APPR'D	CM	13/03/2023	Aluminium Alloy
<small>ALL COPYRIGHT AND DESIGN RIGHT SUBSISTING IN THIS DOCUMENT IS THE PROPERTY OF REID LIFTING LIMITED AND MAY NOT BE REPRODUCED WITHOUT REID LIFTING'S CONSENT. THIS DOCUMENT AND THE INFORMATION CONTAINED WITHIN IT IS CONFIDENTIAL AND MAY NOT BE DISCLOSED TO ANY THIRD PARTY NOR USED FOR ANY UNAUTHORISED PURPOSE WITHOUT REID LIFTING'S CONSENT</small>			
<small>UNLESS OTHERWISE SPECIFIED: DIMENSIONS ARE IN MILLIMETERS</small>			

TITLE: **General Arrangement of REID
Lifting Intermediate Porta-Gantry
- 3000mm Beam**

DWG NO.

PGSS03000I-3000A

A4

Estimated Weight: 168kg

1:30

SHEET 1 OF 2

General Specification

- Maximum rated capacity for goods lifting - 3000kg
- Maximum rated capacity for personnel lifting - 1500kg
- Beam deflection at maximum rated capacity of 3000kg - between 20 - 25mm at centre of span
- Maximum castor surface pressure at full load - 67.93 MPa
- Assembled gantry weight (excluding trolleys) - 168kg
- All welding to BS EN ISO 15614-2: 2005 by certified welders.
- For further details and assembly information refer to Operations and Maintenance Manual for Porta Gantry Product. (available at www.reidlifting.com)

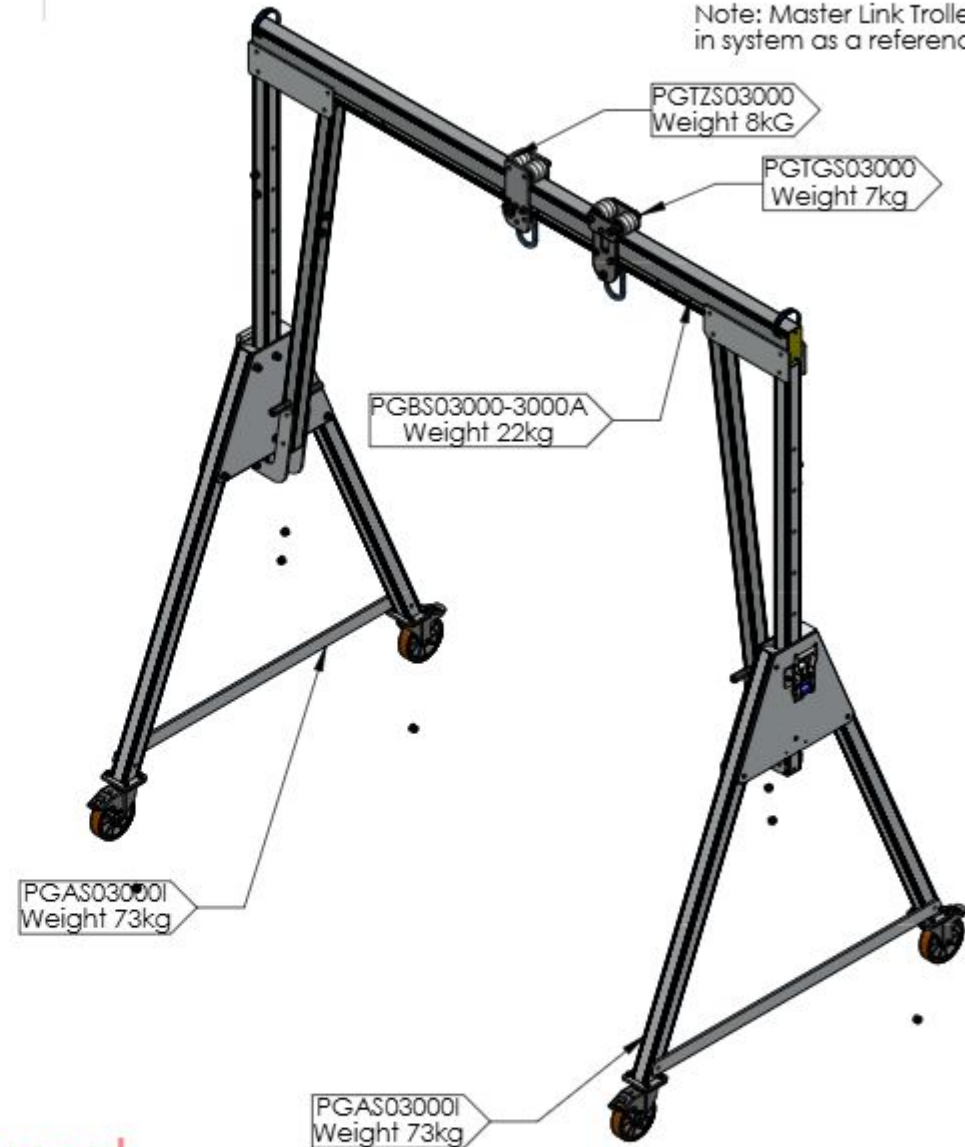
Fall Protection Standards

- Certified to EN795:2012 Type B & supplied under PPE Regulation 2016/425
- Notified Body Witness tested to the requirements of PD CEN/TS16415:2013 for 5 persons
- Exceeds the requirements of IRATA ICOP & BS7985 (15kN MBL)
- Tested to and meets the requirements of ANSI Z359.18.2017 for 2 persons.

Materials & Finishes

- Frame and beam - 6082 T6 Aluminium alloy. Anodized.
- Castors - Steel. Bright Zinc Plated.
- Castor Wheels & Rollers - Aluminium & Polyurethane
- Fixings - Steel. Grade 12.9. Bright Zinc Plated.

Note: Master Link Trolleys shown in system as a reference



Approved

DO NOT SCALE DRAWING

REVISION **02**



Reid Lifting Limited. Unit 1
Wyeview, Newhouse Farm Ind. Est.,
Chepstow, Monmouthshire.
NP16 6UD, UK

Tel +44(0)1291 620796
Fax: +44(0)1291 626490

www.reidlifting.com

enquiries@reidlifting.com

	NAME	DATE
DRAWN	SS	17/05/2021
CHK'D		
APPR'D	CM	13/03/2023

UNLESS OTHERWISE SPECIFIED:
DIMENSIONS ARE IN MILLIMETERS

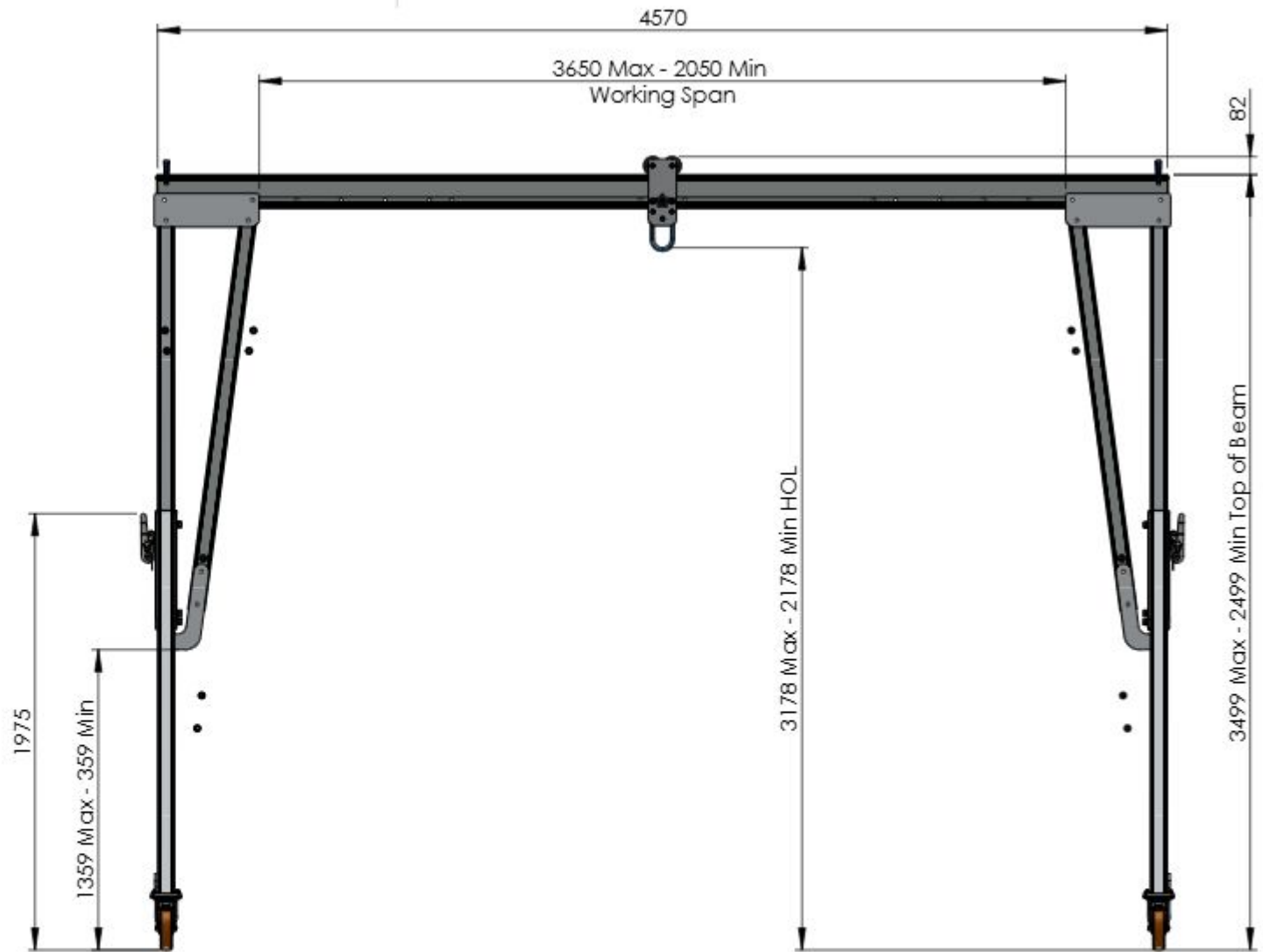
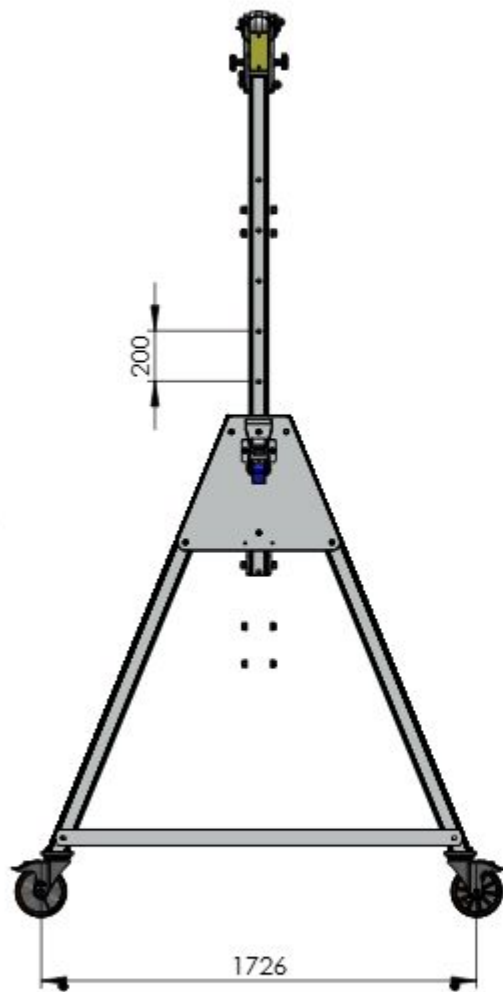
ALL COPYRIGHT AND DESIGN RIGHT SUBSISTING IN THIS DOCUMENT IS THE PROPERTY OF REID LIFTING LIMITED AND MAY NOT BE REPRODUCED WITHOUT REID LIFTING'S CONSENT. THIS DOCUMENT AND THE INFORMATION CONTAINED WITHIN IT IS CONFIDENTIAL AND MAY NOT BE DISCLOSED TO ANY THIRD PARTY NOR USED FOR ANY UNAUTHORISED PURPOSE WITHOUT REID LIFTING'S CONSENT



TITLE: **General Arrangement of REID Lifting Intermediate Porta-Gantry - 3000mm Beam**

DWG NO. **PGSS03000I-3000A** **A4**

Estimated Weight: 168kg 1:30 SHEET 2 OF 2



DO NOT SCALE DRAWING

REVISION **02**



Reid Lifting Limited, Unit 1, Wyeview,
Newhouse Farm, Ind Est, Chepstow,
Monmouth, NP16 6UD, UK

Tel +44(0) 1291 620796
Fax +44(0) 1291 626490

enquiries@reidlifting.com

	NAME	DATE	FINISH:
DRAWN	SS	24/05/2021	Anodised
CHK'D	-	-	MATERIAL:
APP'VD	CM	13/03/2023	Aluminium Alloy
<small>ALL COPYRIGHT AND DESIGN RIGHT SUBSISTING IN THIS DOCUMENT IS THE PROPERTY OF REID LIFTING LIMITED AND MAY NOT BE REPRODUCED WITHOUT REID LIFTING'S CONSENT. THIS DOCUMENT AND THE INFORMATION CONTAINED WITHIN IT IS CONFIDENTIAL AND MAY NOT BE DISCLOSED TO ANY THIRD PARTY NOR USED FOR ANY UNAUTHORISED PURPOSE WITHOUT REID LIFTING'S CONSENT.</small>			
<small>UNLESS OTHERWISE SPECIFIED: DIMENSIONS ARE IN MILLIMETERS</small>			



TITLE: **General Arrangement of Reid Lifting Intermediate Porta-Gantry - 4570mm Beam**

DWG NO. **PGAS03000I-4570B** **A4**

Estimated Weight: 189kg 1:30 SHEET 1 OF 2

General Specification

- Maximum rated capacity for goods lifting - 3000kg
- Maximum rated capacity for personnel lifting - 1500kg
- Beam deflection at maximum rated capacity of 3000kg - between 60 - 70mm at centre of span
- Maximum castor surface pressure at full load - 68.16 MPa
- Assembled gantry weight (excluding trollies) - 189kg
- All welding to BS EN ISO 15614-2: 2005 by certified welders.
- For further details and assembly information refer to Operations and Maintenance Manual for Porta Gantry Product. (available at www.reidlifting.com)

Fall Protection Standards

- Certified to EN795:2012 Type B & supplied under PPE Regulation 2016/425
- Notified Body Witness tested to the requirements of PD CEN/TS16415:2013 for 5 persons
- Exceeds the requirements of IRATA ICOP & BS7985 (15kN MBL)
- Tested to and meets the requirements of ANSI Z359.18.2017 for 3 persons.

Materials & Finishes

- Frame and beam - 6082 T6 Aluminium alloy. Anodized.
- Castors - Steel. Bright Zinc Plated.
- Castor Wheels & Rollers - Aluminium & Polyurethane
- Fixings - Steel. Grade 12:9. Bright Zinc Plated.

Note: Master Link Trollies shown in system as a reference



Approved

DO NOT SCALE DRAWING

REVISION

02



Reid Lifting Limited. Unit 1
Wyeview, Newhouse Farm Ind. Est.,
Chepstow, Monmouthshire.
NP16 6UD, UK

Tel +44(0)1291 620796
Fax: +44(0)1291 626490

www.reidlifting.com

enquiries@reidlifting.com

	NAME	DATE
DRAWN	SS	24/05/2021
CHK'D		
APPR'D	CM	13/03/2023

UNLESS OTHERWISE SPECIFIED:
DIMENSIONS ARE IN MILLIMETERS

ALL COPYRIGHT AND DESIGN RIGHT SUBSISTING IN THIS DOCUMENT IS THE PROPERTY OF REID LIFTING LIMITED AND MAY NOT BE REPRODUCED WITHOUT REID LIFTING'S CONSENT. THIS DOCUMENT AND THE INFORMATION CONTAINED WITHIN IT IS CONFIDENTIAL AND MAY NOT BE DISCLOSED TO ANY THIRD PARTY NOR USED FOR ANY UNAUTHORISED PURPOSE WITHOUT REID LIFTING'S CONSENT



TITLE:

General Arrangement of Reid Lifting Intermediate Porta-Gantry - 4570mm Beam

DWG NO.

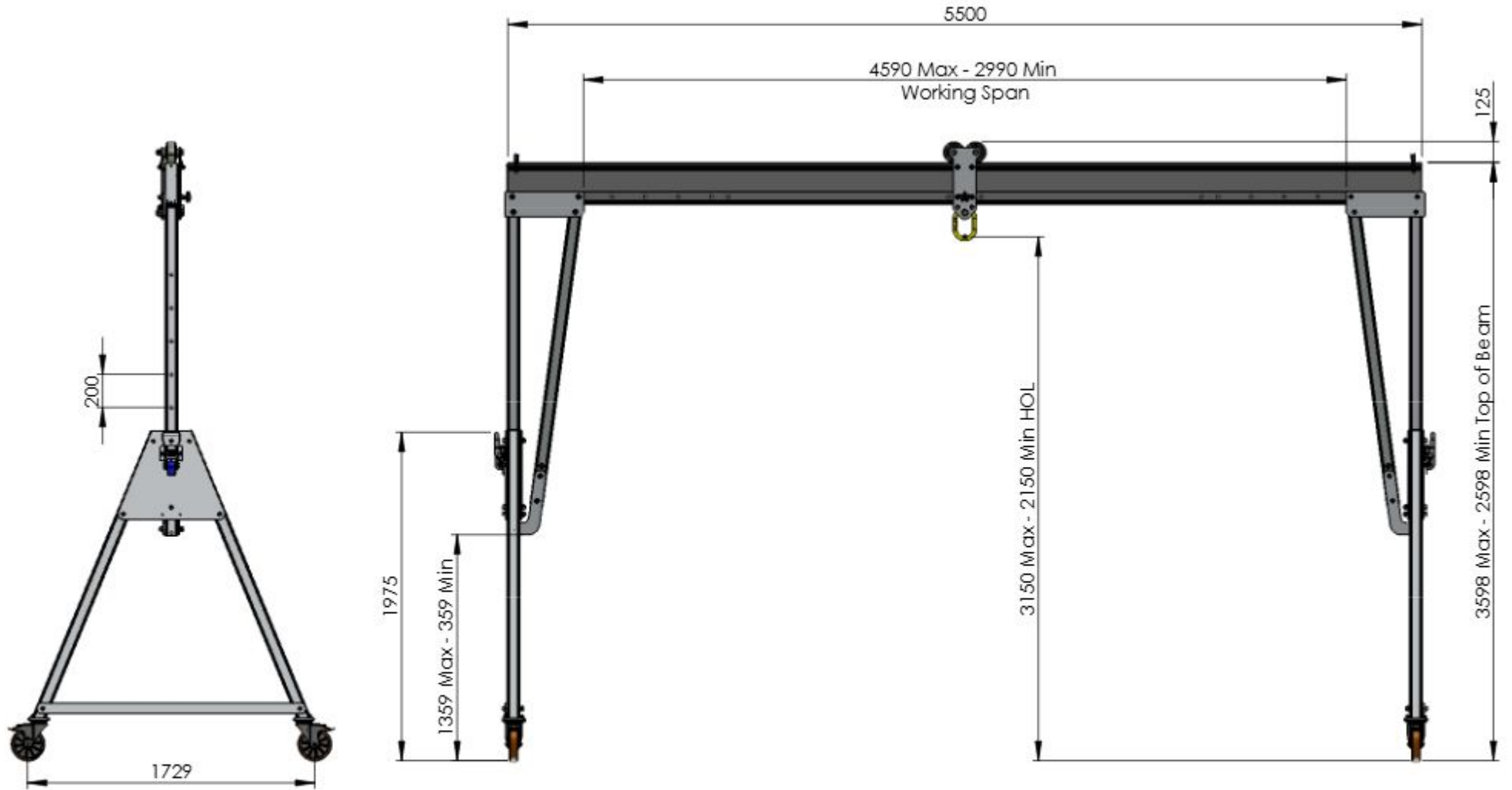
PGAS03000I-4570B

A4

Estimated Weight: 189kg

1:35

SHEET 2 OF 2



DO NOT SCALE DRAWING

REVISION

01



Reid Lifting Limited, Unit 1, Wyeview,
Newhouse Farm, Ind Est, Chepstow,
Monmouth, NP16 6UD, UK

Tel +44(0) 1291 620796

Fax +44(0) 1291 626490

www.reidlifting.com

enquiries@reidlifting.com

	NAME	DATE	FINISH:
DRAWN	SS	24/05/2021	Anodised
CHK'D	-	-	MATERIAL:
APPR'D	CM	01/07/2021	Aluminium Alloy
<small>ALL COPYRIGHT AND DESIGN RIGHT SUBSISTING IN THIS DOCUMENT IS THE PROPERTY OF REID LIFTING LIMITED AND MAY NOT BE REPRODUCED WITHOUT REID LIFTING'S CONSENT. THIS DOCUMENT AND THE INFORMATION CONTAINED WITHIN IT IS CONFIDENTIAL AND MAY NOT BE DISCLOSED TO ANY THIRD PARTY NOR USED FOR ANY UNAUTHORISED PURPOSE WITHOUT REID LIFTING'S CONSENT</small>			
<small>UNLESS OTHERWISE SPECIFIED: DIMENSIONS ARE IN MILLIMETERS</small>			



TITLE: **General Arrangement of Reid Lifting Intermediate Porta-Gantry - 5500mm Beam**

DWG NO.

PGAS03000I-5500D

A4

Estimated Weight: 231kg

1:35

SHEET 1 OF 2

General Specification

- Maximum rated capacity for goods lifting - 3000kg
- Maximum rated capacity for personnel lifting - 1500kg
- Beam deflection at maximum rated capacity of 3000kg - between 30 - 40mm at centre of span
- Maximum castor surface pressure at full load - 68.7 Mpa
- Assembled gantry weight (excluding trollies) - 231kg
- All welding to BS EN ISO 15614-2: 2005 by certified welders.
- For further details and assembly information refer to Operations and Maintenance Manual for Porta Gantry Product. (available at www.reidlifting.com)

Fall Protection Standards

- Certified to EN795:2012 Type B & supplied under PPE Regulation 2016/425
- Notified Body Witness tested to the requirements of PD CEN/TS16415:2013 for 5 persons
- Exceeds the requirements of IRATA ICOP & BS7985 (15kN MBL)
- Tested to and meets the requirements of ANSI Z359.18.2017 for 3 persons.

Materials & Finishes

- Frame and beam - 6082 T6 Aluminium alloy. Anodized.
- Castors - Steel. Bright Zinc Plated.
- Castor Wheels & Rollers - Aluminium & Polyurethane
- Fixings - Steel. Grade 12.9. Bright Zinc Plated.



Approved

DO NOT SCALE DRAWING

REVISION

01



Reid Lifting Limited. Unit 1
Wyeview, Newhouse Farm Ind. Est.,
Chepstow, Monmouthshire.
NP16 6UD, UK

Tel +44(0)1291 620796
Fax: +44(0)1291 626490

www.reidlifting.com

enquiries@reidlifting.com

	NAME	DATE
DRAWN	SS	24/05/2021
CHK'D		
APPR'D	CM	01/07/2021

UNLESS OTHERWISE SPECIFIED:
DIMENSIONS ARE IN MILLIMETERS

ALL COPYRIGHT AND DESIGN RIGHT SUBSISTING IN THIS DOCUMENT IS THE PROPERTY OF REID LIFTING LIMITED AND MAY NOT BE REPRODUCED WITHOUT REID LIFTING'S CONSENT. THIS DOCUMENT AND THE INFORMATION CONTAINED WITHIN IT IS CONFIDENTIAL AND MAY NOT BE DISCLOSED TO ANY THIRD PARTY NOR USED FOR ANY UNAUTHORIZED PURPOSE WITHOUT REID LIFTING'S CONSENT



TITLE:

General Arrangement of Reid Lifting Intermediate Porta-Gantry - 5500mm Beam

DWG NO.

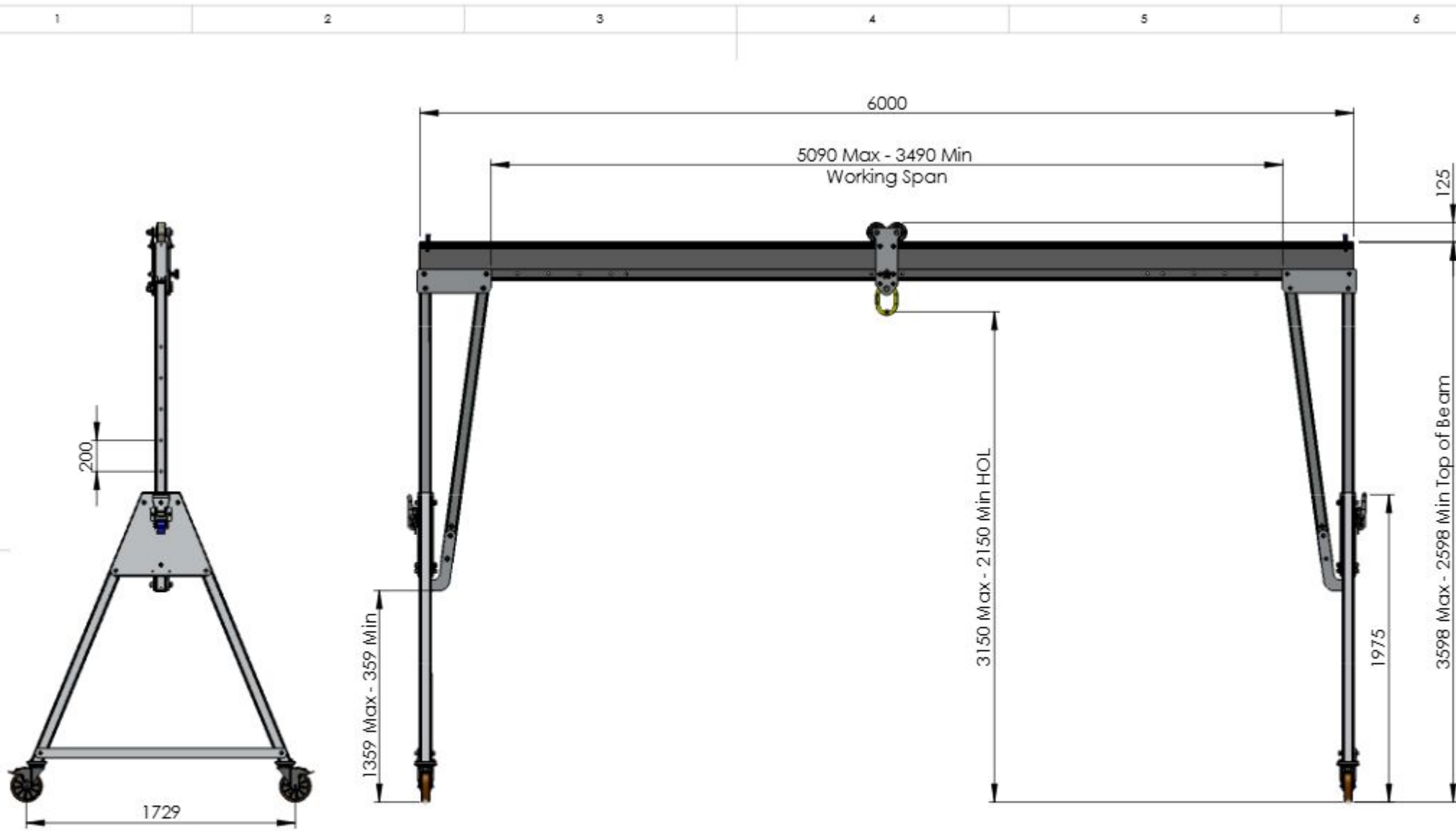
PGAS03000I-5500D

A4

Estimated Weight: 231g

1:35

SHEET 2 OF 2



DO NOT SCALE DRAWING

REVISION **01**



Reid Lifting Limited, Unit 1, Wyeview,
Newhouse Farm, Ind Est, Chepstow,
Monmouth, NP16 6UD, UK

Tel +44(0) 1291 620796
Fax +44(0) 1291 626490

enquiries@reidlifting.com

	NAME	DATE	FINISH:
DRAWN	SS	25/05/2021	Anodised
CHK'D	-	-	MATERIAL:
APPR'D	CM	02/06/2021	Aluminium Alloy
<small>ALL COPYRIGHT AND DESIGN RIGHT SUBSISTING IN THIS DOCUMENT IS THE PROPERTY OF REID LIFTING LIMITED AND MAY NOT BE REPRODUCED WITHOUT REID LIFTING'S CONSENT. THIS DOCUMENT AND THE INFORMATION CONTAINED WITHIN IT IS CONFIDENTIAL AND MAY NOT BE DISCLOSED TO ANY THIRD PARTY NOR USED FOR ANY UNAUTHORISED PURPOSE WITHOUT REID LIFTING'S CONSENT</small>			
<small>UNLESS OTHERWISE SPECIFIED: DIMENSIONS ARE IN MILLIMETERS</small>			



TITLE: **General Arrangement of Reid Lifting Intermediate Porta-Gantry - 6000mm Beam**

DWG NO. **PGAS03000I-6000D** **A4**

Estimated Weight: 239kg 1:35 SHEET 1 OF 2

General Specification

- Maximum rated capacity for goods lifting - 3000kg
- Maximum rated capacity for personnel lifting - 1500kg
- Beam deflection at maximum rated capacity of 3000kg - between 40 - 50mm at centre of span
- Maximum castor surface pressure at full load - 68.79 Mpa
- Assembled gantry weight (excluding trolleys) - 239kg
- All welding to BS EN ISO 15614-2: 2005 by certified welders.
- For further details and assembly information refer to Operations and Maintenance Manual for Porta Gantry Product. (available at www.reidlifting.com)

Fall Protection Standards

- Certified to EN795:2012 Type B, & PD CEN/TS16415:2013 for 5 persons supplied under the PPe regulation 2016/425
- Exceeds the requirements of IRATA ICOP & BS7985 (15kN MBL)
- Tested to and meets the requirements of ANSI Z359.18.2017 for 3 persons.

Materials & Finishes

- Frame and beam - 6082 T6 Aluminium alloy. Anodized.
- Castors - Steel. Bright Zinc Plated.
- Castor Wheels & Rollers - Aluminium & Polyurethane
- Fixings - Steel. Grade 12:9. Bright Zinc Plated.

Note: Master Link Trolleys shown in system as a reference



Approved

DO NOT SCALE DRAWING

REVISION

01



Reid Lifting Limited. Unit 1
Wyeview, Newhouse Farm Ind. Est.,
Chepstow, Monmouthshire.
NP16 6UD, UK

Tel +44(0)1291 620796
Fax: +44(0)1291 626490

www.reidlifting.com

enquiries@reidlifting.com

	NAME	DATE
DRAWN	SS	25/05/2021
CHK'D		
APP'VD	CM	02/06/2021

UNLESS OTHERWISE SPECIFIED:
DIMENSIONS ARE IN MILLIMETERS

ALL COPYRIGHT AND DESIGN RIGHT SUBSISTING IN THIS DOCUMENT IS THE PROPERTY OF REID LIFTING LIMITED AND MAY NOT BE REPRODUCED WITHOUT REID LIFTING'S CONSENT. THIS DOCUMENT AND THE INFORMATION CONTAINED WITHIN IT IS CONFIDENTIAL AND MAY NOT BE DISCLOSED TO ANY THIRD PARTY NOR USED FOR ANY UNAUTHORISED PURPOSE WITHOUT REID LIFTING'S CONSENT



TITLE:

General Arrangement of Reid Lifting Intermediate Porta-Gantry - 6000mm Beam

DWG NO.

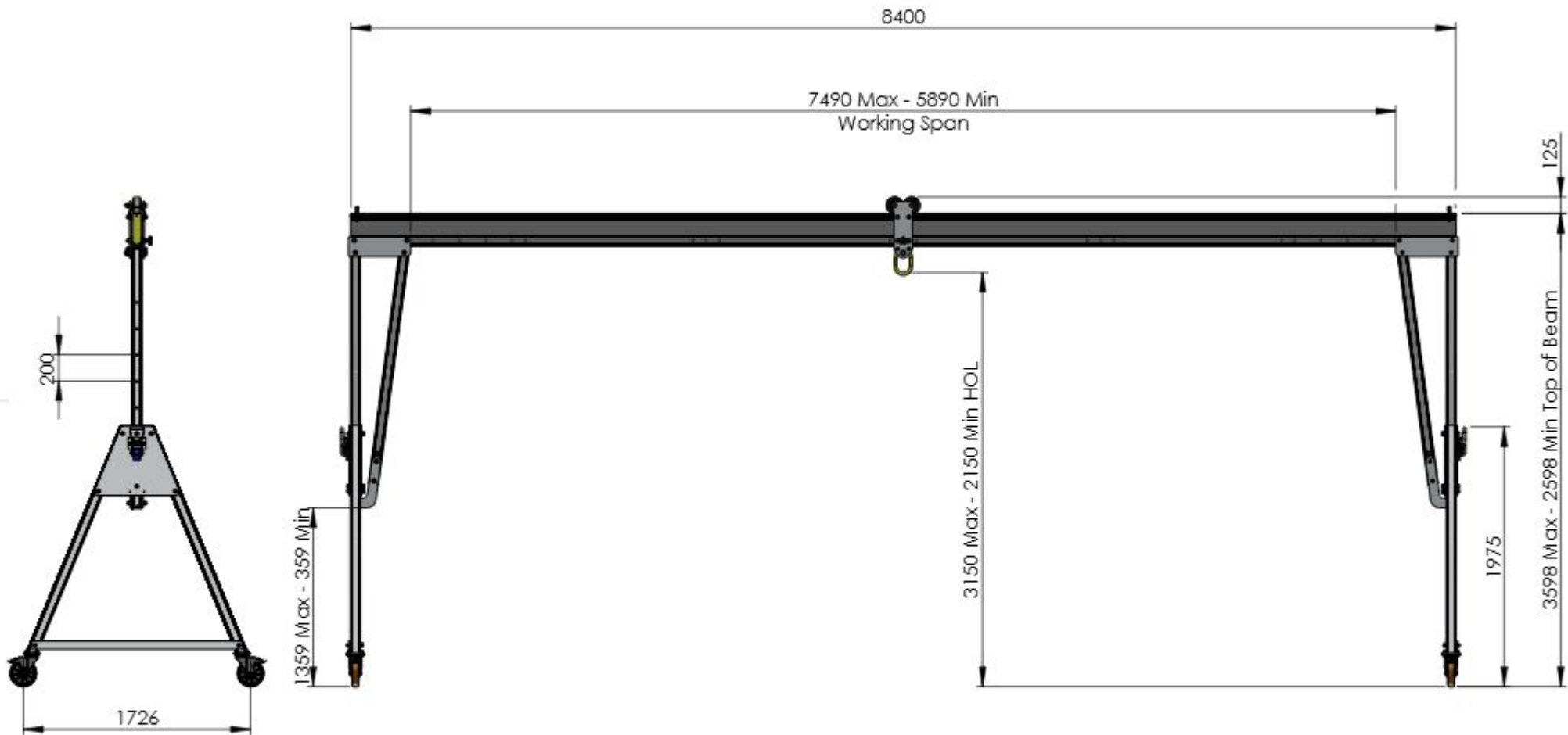
PGAS03000I-6000D

A4

Estimated Weight: 239g

1:40

SHEET 2 OF 2



DO NOT SCALE DRAWING

REVISION **02**



Reid Lifting Limited. Unit 1
Wyeview, Newhouse Farm Ind. Est.,
Chepstow, Monmouthshire.
NP16 6UD, UK

Tel +44(0) 1291 620796
Fax +44(0) 1291 626490

www.reidlifting.com

enquiries@reidlifting.com

	NAME	DATE	FINISH:
DRAWN	BJ	13/11/2020	Anodised
CHK'D			MATERIAL:
APP'VD	CM	07/01/2022	Aluminium Alloy
<small>ALL COPYRIGHT AND DESIGN RIGHT SUBSISTING IN THIS DOCUMENT IS THE PROPERTY OF REID LIFTING LIMITED AND MAY NOT BE REPRODUCED WITHOUT REID LIFTING'S CONSENT. THIS DOCUMENT AND THE INFORMATION CONTAINED WITHIN IT IS CONFIDENTIAL AND MAY NOT BE DISCLOSED TO ANY THIRD PARTY NOR USED FOR ANY UNAUTHORISED PURPOSE WITHOUT REID LIFTING'S CONSENT</small>			
<small>UNLESS OTHERWISE SPECIFIED: DIMENSIONS ARE IN MILLIMETERS</small>			



TITLE:
**General Arrangement of REID Lifting
Porta-Gantry Size Intermediate
8400mm Beam WLL3000kg**

DWG NO. **PGSS03000I-8400D** A4

Estimated Weight: 276kg 1:45 SHEET 1 OF 2

General Specification

- Maximum rated capacity for goods lifting - 3000kg
- Maximum rated capacity for personnel lifting - 1500kg
- Beam deflection at maximum rated capacity of 3000kg - between 100-110 mm at centre of span
- Maximum castor surface pressure at full load - 69.2 MPa
- Assembled gantry weight (excluding trollies) - 276kg
- All welding to BS EN ISO 15614-2: 2005 by certified welders.
- For further details and assembly information refer to Operations and Maintenance Manual for Porta Gantry Product. (available at www.reidlifting.com)

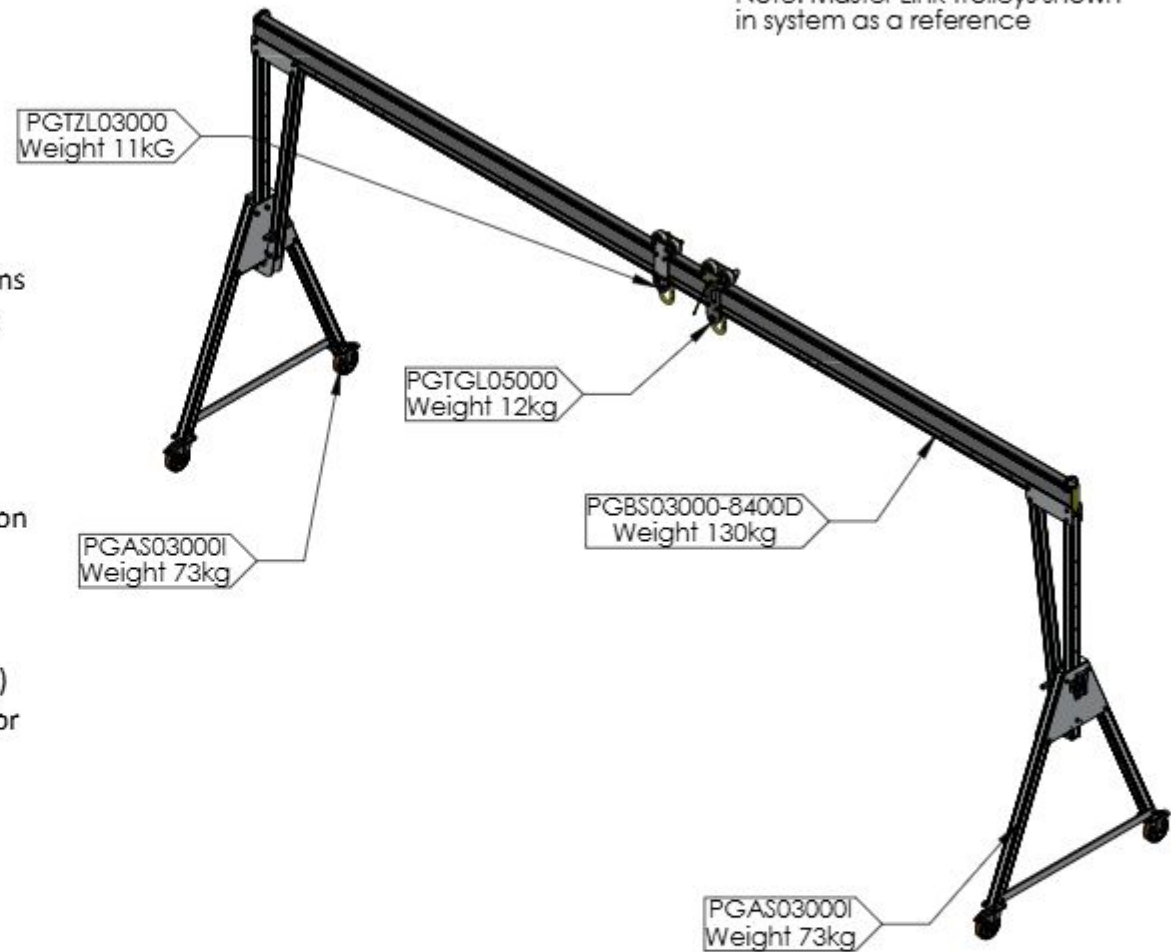
Fall Protection Standards

- Certified to EN795:2012 Type B & supplied under PPE Regulation 2016/425
- Notified Body Witness tested to the requirements of PD CEN/TS16415:2013 for 5 persons
- Exceeds the requirements of IRATA ICOP & BS7985 (15kN MBL)
- Tested to and meets the requirements of ANSI Z359.18.2017 for 3 persons.

Materials & Finishes

- Frame and beam - 6082 T6 Aluminium alloy. Anodised.
- Castors - Steel. Bright Zinc Plated.
- Castor Wheels & Rollers - Aluminium & Polyurethane
- Fixings - Steel. Grade 12.9. Bright Zinc Plated.

Note: Master Link Trolleys shown in system as a reference



Approved

DO NOT SCALE DRAWING

REVISION **02**



Reid Lifting Limited. Unit 1
Wyeview, Newhouse Farm Ind. Est.,
Chepstow, Monmouthshire.
NP16 6UD, UK

Tel +44(0)1291 620796
Fax: +44(0)1291 626490

www.reidlifting.com

enquiries@reidlifting.com

	NAME	DATE
DRAWN	BJ	13/11/2020
CHK'D		
APPR'D	CM	07/01/2022

UNLESS OTHERWISE SPECIFIED:
DIMENSIONS ARE IN MILLIMETERS

ALL COPYRIGHT AND DESIGN RIGHT SUBSISTING IN THIS DOCUMENT IS THE PROPERTY OF REID LIFTING LIMITED AND MAY NOT BE REPRODUCED WITHOUT REID LIFTING'S CONSENT. THIS DOCUMENT AND THE INFORMATION CONTAINED WITHIN IT IS CONFIDENTIAL AND MAY NOT BE DISCLOSED TO ANY THIRD PARTY NOR USED FOR ANY UNAUTHORISED PURPOSE WITHOUT REID LIFTING'S CONSENT



TITLE: **General Arrangement of REID Lifting
Porta-Gantry Size Intermediate
8400mm Beam WLL3000kg**

DWG NO. **PGSS03000I-8400D**

A4

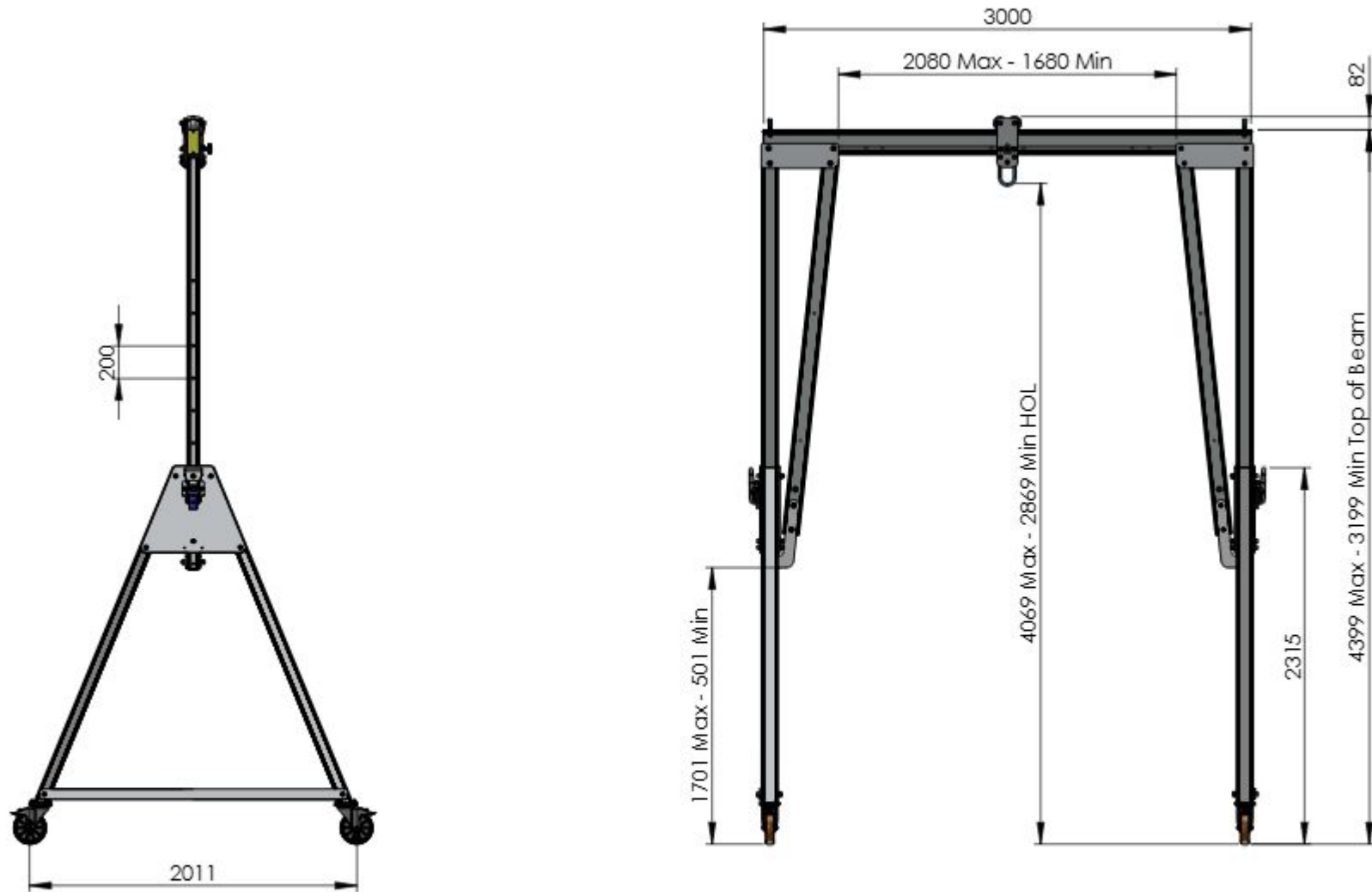
Estimated Weight: 276kg

1:55

SHEET 2 OF 2



To ensure the stability of the structure, the working span of the beam must be equal to or greater than the distance between castors on the A-frame



DO NOT SCALE DRAWING

REVISION **03**



Reid Lifting Limited. Unit 1
Wyeview, Newhouse Farm Ind. Est.,
Chepstow, Monmouthshire,
NP16 6UD, UK

Tel +44(0) 1291 620796
Fax +44(0) 1291 626490

www.reidlifting.com

enquiries@reidlifting.com

	NAME	DATE	FINISH:
DRAWN	BJ	03/12/2020	Anodised
CHK'D			MATERIAL:
APP'VD	CM	13/03/2023	Aluminium Alloy
<small>ALL COPYRIGHT AND DESIGN RIGHT SUBSISTING IN THIS DOCUMENT IS THE PROPERTY OF REID LIFTING LIMITED AND MAY NOT BE REPRODUCED WITHOUT REID LIFTING'S CONSENT. THIS DOCUMENT AND THE INFORMATION CONTAINED WITHIN IT IS CONFIDENTIAL AND MAY NOT BE DISCLOSED TO ANY THIRD PARTY NOR USED FOR ANY UNAUTHORISED PURPOSE WITHOUT REID LIFTING'S CONSENT</small>			
<small>UNLESS OTHERWISE SPECIFIED: DIMENSIONS ARE IN MILLIMETERS</small>			



TITLE: **General Arrangement of REID Lifting Porta-Gantry Size Tall - 3000mm Beam WLL3000kg**

DWG NO. **PGSS03000T-3000A** A4

Estimated Weight: 192kg

1:40

SHEET 1 OF 2

General Specification

- Maximum rated capacity for goods lifting - 3000kg
- Maximum rated capacity for personnel lifting - 1500kg
- Beam deflection at maximum rated capacity of 3000kg - between 20-25 mm at centre of span
- Maximum castor surface pressure at full load - 68.20 MPa
- Assembled gantry weight (excluding trollies) - 192kg
- All welding to BS EN ISO 15614-2: 2005 by certified welders.
- For further details and assembly information refer to Operations and Maintenance Manual for Porta Gantry Product. (available at www.reidlifting.com)

Fall Protection Standards

- Certified to EN795:2012 Type B & supplied under PPE Regulation 2016/425
- Notified Body Witness tested to the requirements of PD CEN/TS16415:2013 for 5 persons
- Exceeds the requirements of IRATA ICOP & BS7985 (15kN MBL)
- Tested to and meets the requirements of ANSI Z359.18.2017 for 2 persons.

Materials & Finishes

- Frame and beam - 6082 T6 Aluminium alloy. Anodised.
- Castors - Steel. Bright Zinc Plated.
- Castor Wheels & Rollers - Aluminium & Polyurethane
- Fixings - Steel. Grade 12.9. Bright Zinc Plated.

Note: Master Link Trollies shown in system as a reference



Approved

DO NOT SCALE DRAWING

REVISION

03

REID
LIFTING

Reid Lifting Limited. Unit 1
Wyeview, Newhouse Farm Ind. Est.,
Chepstow, Monmouthshire.
NP16 6UD, UK

Tel +44(0)1291 620796
Fax: +44(0)1291 626490

www.reidlifting.com

enquiries@reidlifting.com

	NAME	DATE
DRAWN	BJ	03/12/2020
CHK'D		
APPR'D	CM	13/03/2023

UNLESS OTHERWISE SPECIFIED:
DIMENSIONS ARE IN MILLIMETERS

ALL COPYRIGHT AND DESIGN RIGHT SUBSISTING IN THIS DOCUMENT IS THE PROPERTY OF REID LIFTING LIMITED AND MAY NOT BE REPRODUCED WITHOUT REID LIFTING'S CONSENT. THIS DOCUMENT AND THE INFORMATION CONTAINED WITHIN IT IS CONFIDENTIAL AND MAY NOT BE DISCLOSED TO ANY THIRD PARTY NOR USED FOR ANY UNAUTHORIZED PURPOSE WITHOUT REID LIFTING'S CONSENT



TITLE: **General Arrangement of REID Lifting Porta-Gantry Size Tall - 3000mm Beam WLL3000kg**

DWG NO.

PGSS03000T-3000A

A4

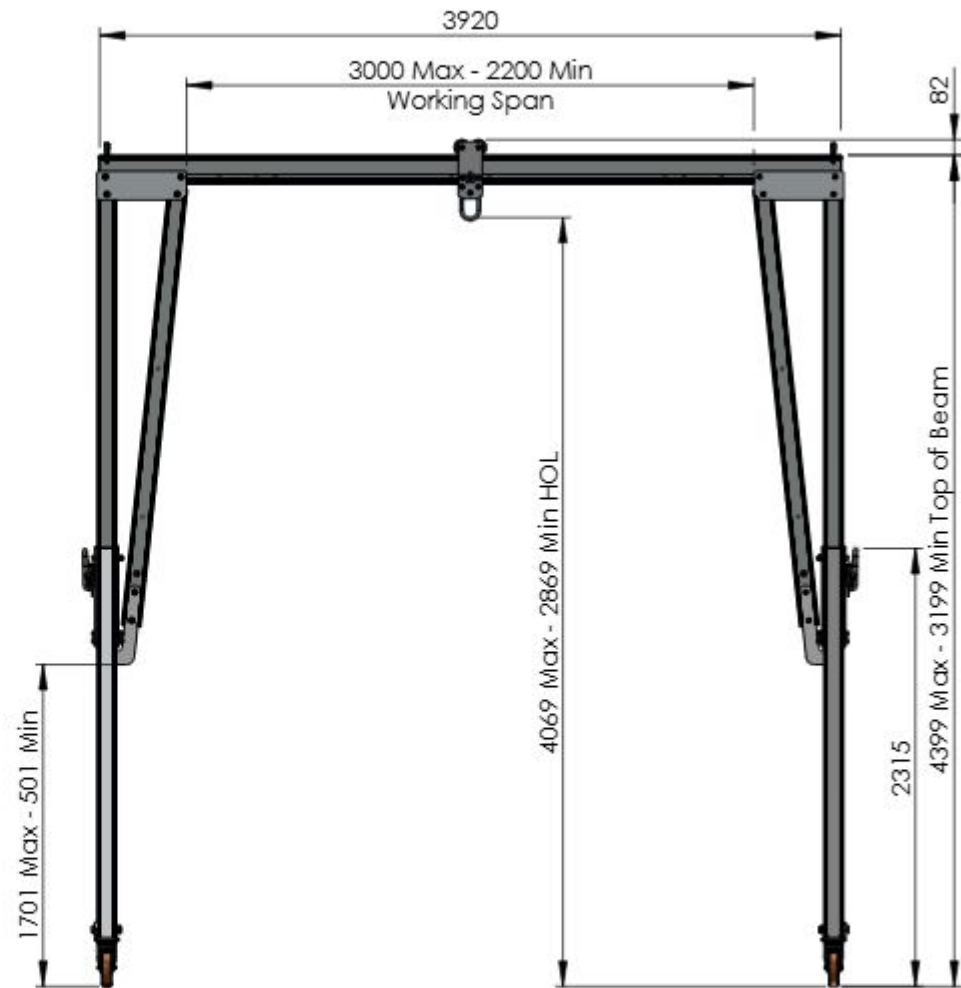
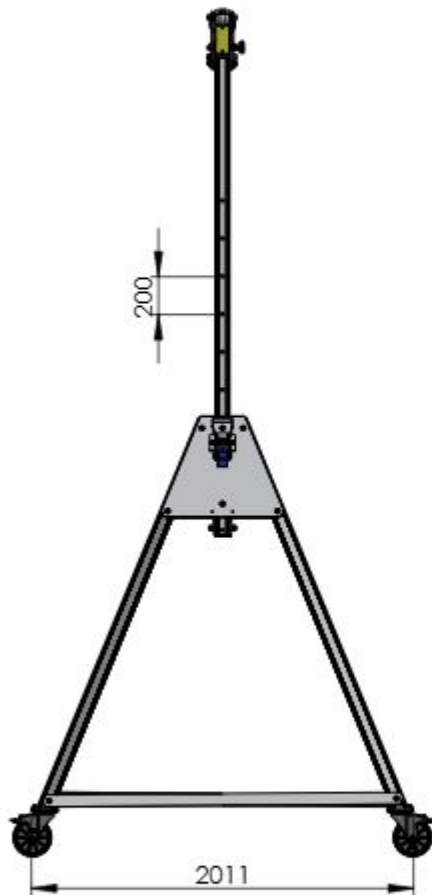
Estimated Weight: 192kg

1:35

SHEET 2 OF 2



To ensure the stability of the struture, the working span of the beam must be equal to or greater than the distance between castors on the A-frame



DO NOT SCALE DRAWING

REVISION

03



Reid Lifting Limited. Unit 1
Wyeview, Newhouse Farm Ind. Est.,
Chepstow, Monmouthshire,
NP16 6UD, UK

Tel +44(0) 1291 620796
Fax +44(0) 1291 626490

www.reidlifting.com

enquiries@reidlifting.com

	NAME	DATE	FINISH:
DRAWN	BJ	10/03/2021	Anodised
CHK'D			MATERIAL:
APPR'D	CM	20/01/2023	Aluminium Alloy
<small>ALL COPYRIGHT AND DESIGN RIGHT SUBSISTING IN THIS DOCUMENT IS THE PROPERTY OF REID LIFTING LIMITED AND MAY NOT BE REPRODUCED WITHOUT REID LIFTING'S CONSENT. THIS DOCUMENT AND THE INFORMATION CONTAINED WITHIN IT IS CONFIDENTIAL AND MAY NOT BE DISCLOSED TO ANY THIRD PARTY NOR USED FOR ANY UNAUTHORISED PURPOSE WITHOUT REID LIFTING'S CONSENT</small>			
<small>UNLESS OTHERWISE SPECIFIED: DIMENSIONS ARE IN MILLIMETERS</small>			



TITLE:

**General Arrangement of REID
Lifting Porta-Gantry Size Tall
3920mm Beam WLL3000kg**

DWG NO.

PGSS03000T-3920B

A4

Estimated Weight: 207kg

1:40

SHEET 1 OF 2

General Specification

- Maximum rated capacity for goods lifting - 3000kg
- Maximum rated capacity for personnel lifting - 1500kg
- Beam deflection at maximum rated capacity of 3000kg - between 35-45 mm at centre of span
- Maximum castor surface pressure at full load - 68.36 MPa
- Assembled gantry weight (excluding trollies) - 207kg
- All welding to BS EN ISO 15614-2: 2005 by certified welders.
- For further details and assembly information refer to Operations and Maintenance Manual for Porta Gantry Product. (available at www.reidlifting.com)

Fall Protection Standards

- Certified to EN795:2012 Type B & supplied under PPE Regulation 2016/425
- Notified Body Witness tested to the requirements of PD CEN/TS16415:2013 for 5 persons
- Exceeds the requirements of IRATA ICOP & BS7985 (15kN MBL)
- Tested to and meets the requirements of ANSI Z359.18.2017 for 3 persons.

Materials & Finishes

- Frame and beam - 6082 T6 Aluminium alloy. Anodised.
- Castors - Steel. Bright Zinc Plated.
- Castor Wheels & Rollers - Aluminium & Polyurethane
- Fixings - Steel. Grade 12.9. Bright Zinc Plated.

Note: Master Link Trolleys shown in system as a reference



Approved

DO NOT SCALE DRAWING

REVISION

03



Reid Lifting Limited. Unit 1
Wyeview, Newhouse Farm Ind. Est.,
Chepstow, Monmouthshire.
NP16 6UD, UK

Tel +44(0)1291 620796
Fax: +44(0)1291 626490

www.reidlifting.com

enquiries@reidlifting.com

	NAME	DATE
DRAWN	BJ	10/03/2021
CHK'D		
APP'VD	CM	20/01/2023

UNLESS OTHERWISE SPECIFIED:
DIMENSIONS ARE IN MILLIMETERS

ALL COPYRIGHT AND DESIGN RIGHT SUBSISTING IN THIS DOCUMENT IS THE PROPERTY OF REID LIFTING LIMITED AND MAY NOT BE REPRODUCED WITHOUT REID LIFTING'S CONSENT. THIS DOCUMENT AND THE INFORMATION CONTAINED WITHIN IT IS CONFIDENTIAL AND MAY NOT BE DISCLOSED TO ANY THIRD PARTY NOR USED FOR ANY UNAUTHORIZED PURPOSE WITHOUT REID LIFTING'S CONSENT



TITLE: **General Arrangement of REID Lifting Porta-Gantry Size Tall 3920mm Beam WLL3000kg**

DWG NO.

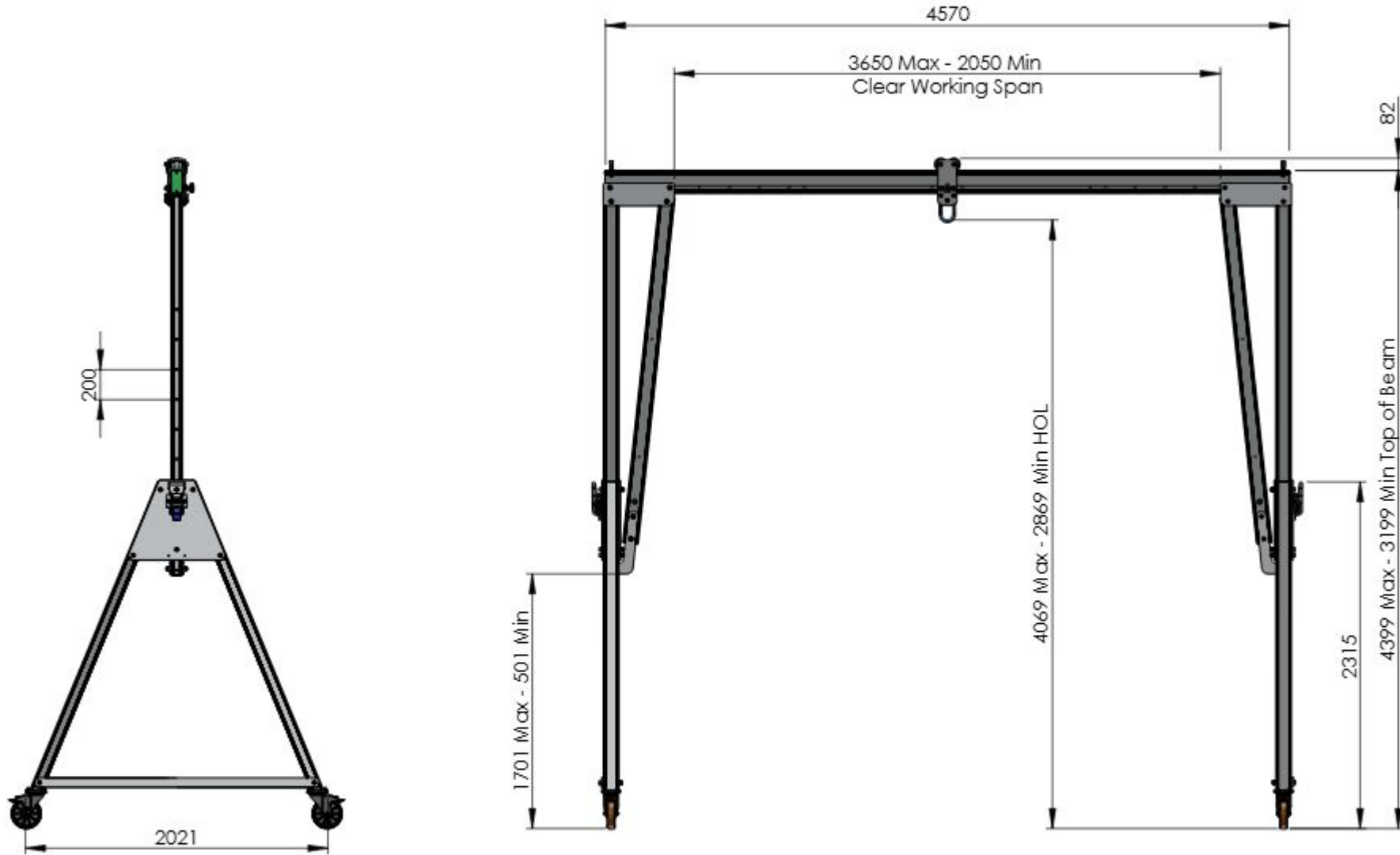
PGSS03000T-3920B

A4

Estimated Weight: 207kg

1:40

SHEET 2 OF 2



DO NOT SCALE DRAWING

REVISION **02**



Reid Lifting Limited. Unit 1
Wyeview, Newhouse Farm Ind. Est.,
Chepstow, Monmouthshire.
NP16 6UD, UK

Tel +44(0) 1291 620796
Fax +44(0) 1291 626490

www.reidlifting.com

enquiries@reidlifting.com

	NAME	DATE	FINISH:
DRAWN	SS	26/05/2021	Anodised
CHK'D			MATERIAL:
APPR'D	CM	13/03/2023	Aluminium Alloy
<small>ALL COPYRIGHT AND DESIGN RIGHT SUBSISTING IN THIS DOCUMENT IS THE PROPERTY OF REID LIFTING LIMITED AND MAY NOT BE REPRODUCED WITHOUT REID LIFTING'S CONSENT. THIS DOCUMENT AND THE INFORMATION CONTAINED WITHIN IT IS CONFIDENTIAL AND MAY NOT BE DISCLOSED TO ANY THIRD PARTY NOR USED FOR ANY UNAUTHORISED PURPOSE WITHOUT REID LIFTING'S CONSENT</small>			
<small>UNLESS OTHERWISE SPECIFIED: DIMENSIONS ARE IN MILLIMETERS</small>			



TITLE: **General Arrangement of REID Lifting Porta-Gantry Size Tall 4570mm Beam WLL3000kg**

DWG NO. **PGSS03000T-4570B**

A4

Estimated Weight: 213kg

1:40

SHEET 1 OF 2

General Specification

- Maximum rated capacity for goods lifting - 3000kg
- Maximum rated capacity for personnel lifting - 1500kg
- Beam deflection at maximum rated capacity of 3000kg - between 40 - 50mm at centre of span
- Maximum castor surface pressure at full load - 68.41 Mpa
- Assembled gantry weight (excluding trollies) - 213kg
- All welding to BS EN ISO 15614-2: 2005 by certified welders.
- For further details and assembly information refer to Operations and Maintenance Manual for Porta Gantry Product. (available at www.reidlifting.com)

Fall Protection Standards

- Certified to EN795:2012 Type B & supplied under PPE Regulation 2016/425
- Notified Body Witness tested to the requirements of PD CEN/TS16415:2013 for 5 persons
- Exceeds the requirements of IRATA ICOP & BS7985 (15kN MBL)
- Tested to and meets the requirements of ANSI Z359.18.2017 for 3 persons.

Materials & Finishes

- Frame and beam - 6082 T6 Aluminium alloy. Anodised.
- Castors - Steel. Bright Zinc Plated.
- Castor Wheels & Rollers - Aluminium & Polyurethane
- Fixings - Steel. Grade 12.9. Bright Zinc Plated.

Note: Master Link Trolleys shown in system as a reference



Approved

DO NOT SCALE DRAWING

REVISION **02**

REID
LIFTING

www.reidlifting.com

Reid Lifting Limited. Unit 1
Wyeview, Newhouse Farm Ind. Est.,
Chepstow, Monmouthshire.
NP16 6UD, UK

Tel +44(0)1291 620796
Fax: +44(0)1291 626490

enquiries@reidlifting.com

	NAME	DATE
DRAWN	SS	26/05/2021
CHK'D		
APPR'D	CM	13/03/2023

UNLESS OTHERWISE SPECIFIED:
DIMENSIONS ARE IN MILLIMETERS

ALL COPYRIGHT AND DESIGN RIGHT SUBSISTING IN THIS DOCUMENT IS THE PROPERTY OF REID LIFTING LIMITED AND MAY NOT BE REPRODUCED WITHOUT REID LIFTING'S CONSENT. THIS DOCUMENT AND THE INFORMATION CONTAINED WITHIN IT IS CONFIDENTIAL AND MAY NOT BE DISCLOSED TO ANY THIRD PARTY NOR USED FOR ANY UNAUTHORISED PURPOSE WITHOUT REID LIFTING'S CONSENT



TITLE: **General Arrangement of REID Lifting Porta-Gantry Size Tall 4570mm Beam WLL3000kg**

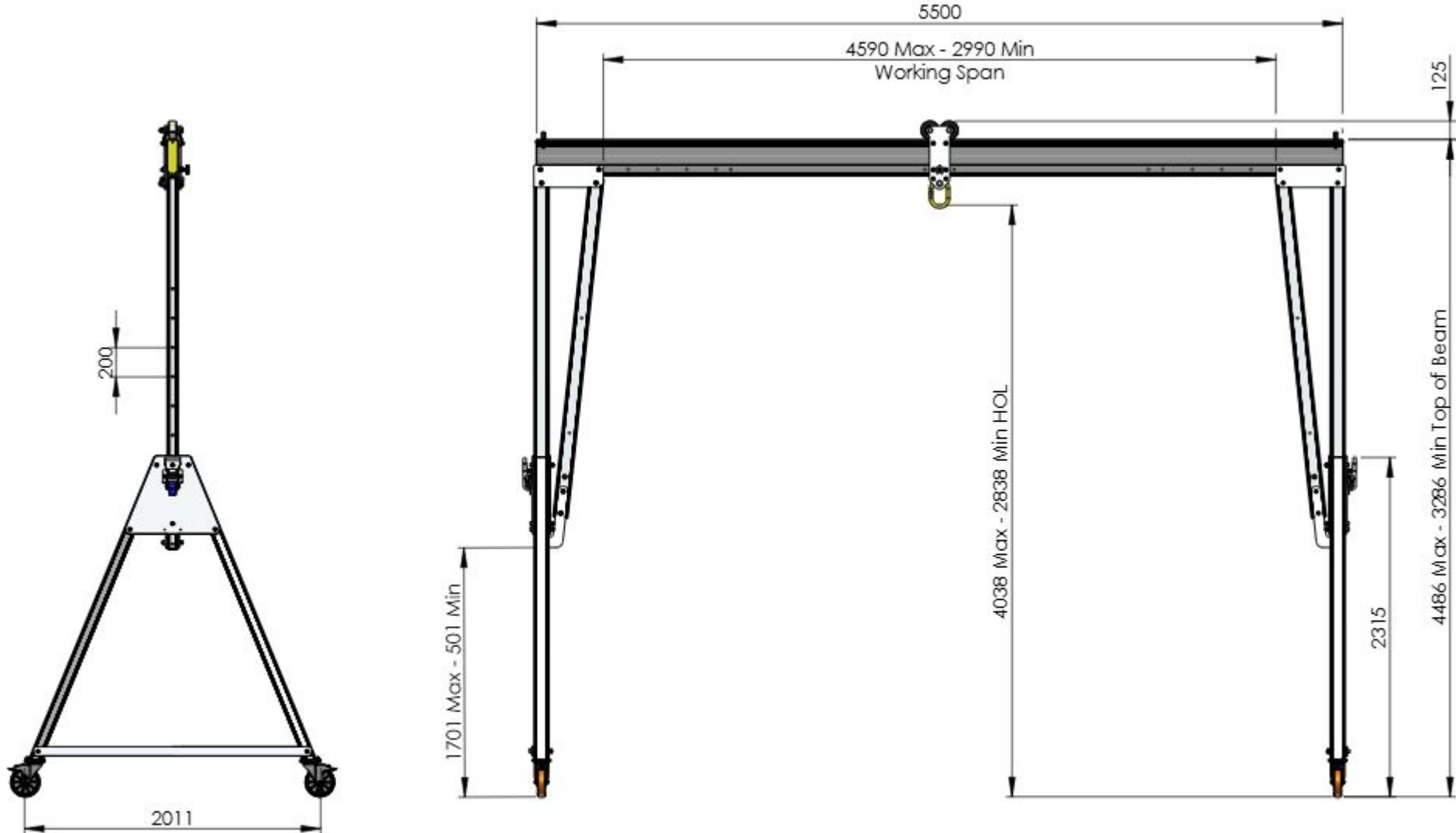
DWG NO. **PGSS03000T-4570B**

A4

Estimated Weight: 213kg

1:45

SHEET 2 OF 2



DO NOT SCALE DRAWING

REVISION **02**



Reid Lifting Limited. Unit 1
Wyeview, Newhouse Farm Ind. Est.,
Chepstow, Monmouthshire.
NP16 6UD, UK

Tel +44(0) 1291 620796
Fax +44(0) 1291 626490

www.reidlifting.com

enquiries@reidlifting.com

	NAME	DATE	FINISH:
DRAWN	BJ	03/12/2020	Anodised
CHK'D			MATERIAL:
APP'VD	CM	11/02/2022	Aluminium Alloy
<small>ALL COPYRIGHT AND DESIGN RIGHT SUBSISTING IN THIS DOCUMENT IS THE PROPERTY OF REID LIFTING LIMITED AND MAY NOT BE REPRODUCED WITHOUT REID LIFTING'S CONSENT. THIS DOCUMENT AND THE INFORMATION CONTAINED WITHIN IT IS CONFIDENTIAL AND MAY NOT BE DISCLOSED TO ANY THIRD PARTY NOR USED FOR ANY UNAUTHORISED PURPOSE WITHOUT REID LIFTING'S CONSENT</small>			
<small>UNLESS OTHERWISE SPECIFIED: DIMENSIONS ARE IN MILLIMETERS</small>			



TITLE:
**General Arrangement of REID
Lifting Porta-Gantry Size Tall
with 5500mm Beam WLL3000kg**

DWG NO. **PGSS03000T-5500D** **A4**

Estimated Weight: 255kg

1:40

SHEET 1 OF 2

General Specification

- Maximum rated capacity for goods lifting - 3000kg
- Maximum rated capacity for personnel lifting - 1500kg
- Beam deflection at maximum rated capacity of 3000kg - between 30-40 mm at centre of span
- Maximum castor surface pressure at full load - 68.97 MPa
- Assembled gantry weight (excluding trollies) - 255kg
- All welding to BS EN ISO 15614-2: 2005 by certified welders.
- For further details and assembly information refer to Operations and Maintenance Manual for Porta Gantry Product. (available at www.reidlifting.com)

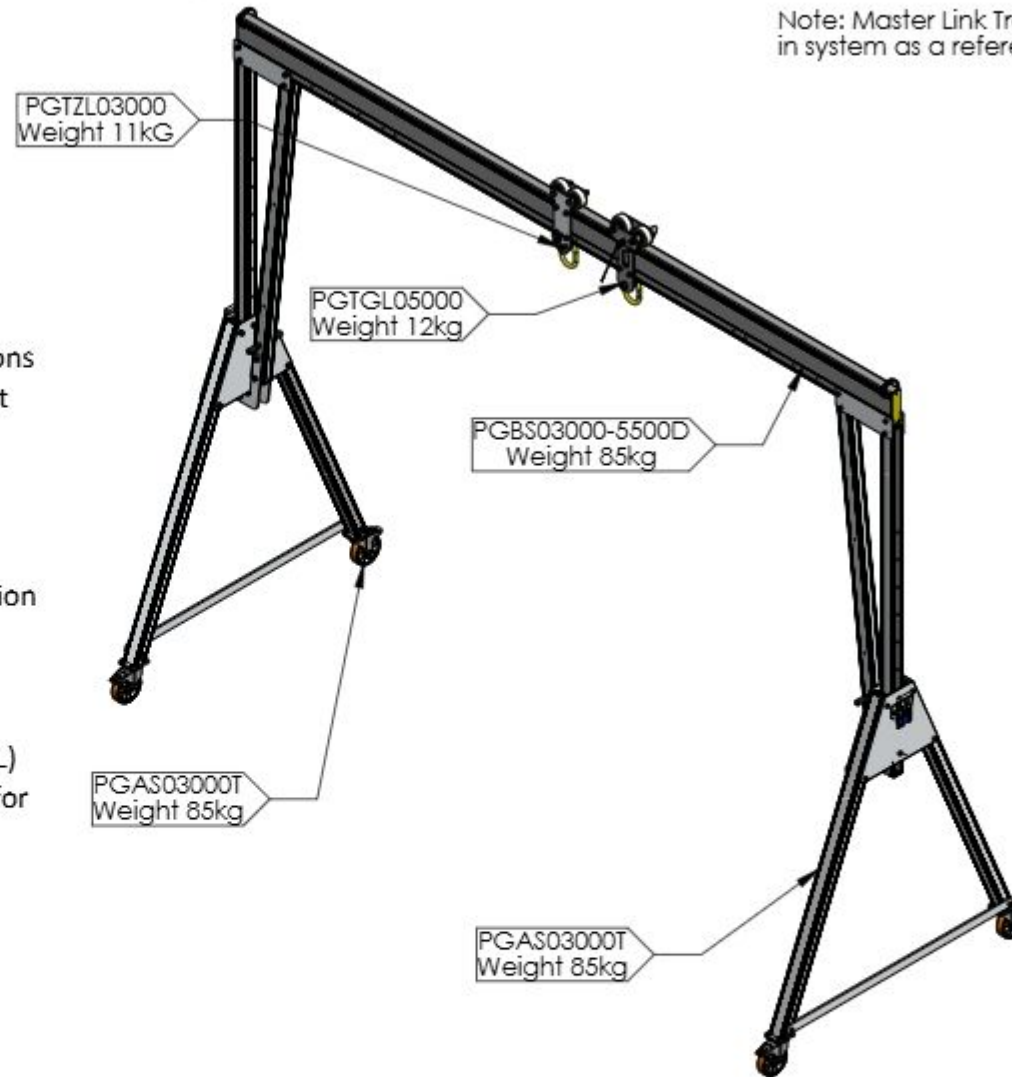
Fall Protection Standards

- Certified to EN795:2012 Type B & supplied under PPE Regulation 2016/425
- Notified Body Witness tested to the requirements of PD CEN/TS16415:2013 for 5 persons
- Exceeds the requirements of IRATA ICOP & BS7985 (15kN MBL)
- Tested to and meets the requirements of ANSI Z359.18.2017 for 3 persons.

Materials & Finishes

- Frame and beam - 6082 T6 Aluminium alloy. Anodised.
- Castors - Steel. Bright Zinc Plated.
- Castor Wheels & Rollers - Aluminium & Polyurethane
- Fixings - Steel. Grade 12.9. Bright Zinc Plated.

Note: Master Link Trolleys shown in system as a reference



Approved

DO NOT SCALE DRAWING

REVISION **02**

REID
LIFTING

Reid Lifting Limited. Unit 1
Wyeview, Newhouse Farm Ind. Est.,
Chepstow, Monmouthshire.
NP16 6UD, UK

Tel +44(0)1291 620796
Fax: +44(0)1291 626490

www.reidlifting.com

enquiries@reidlifting.com

	NAME	DATE
DRAWN	BJ	03/12/2020
CHK'D		
APPR'D	CM	11/02/2022

UNLESS OTHERWISE SPECIFIED:
DIMENSIONS ARE IN MILLIMETERS

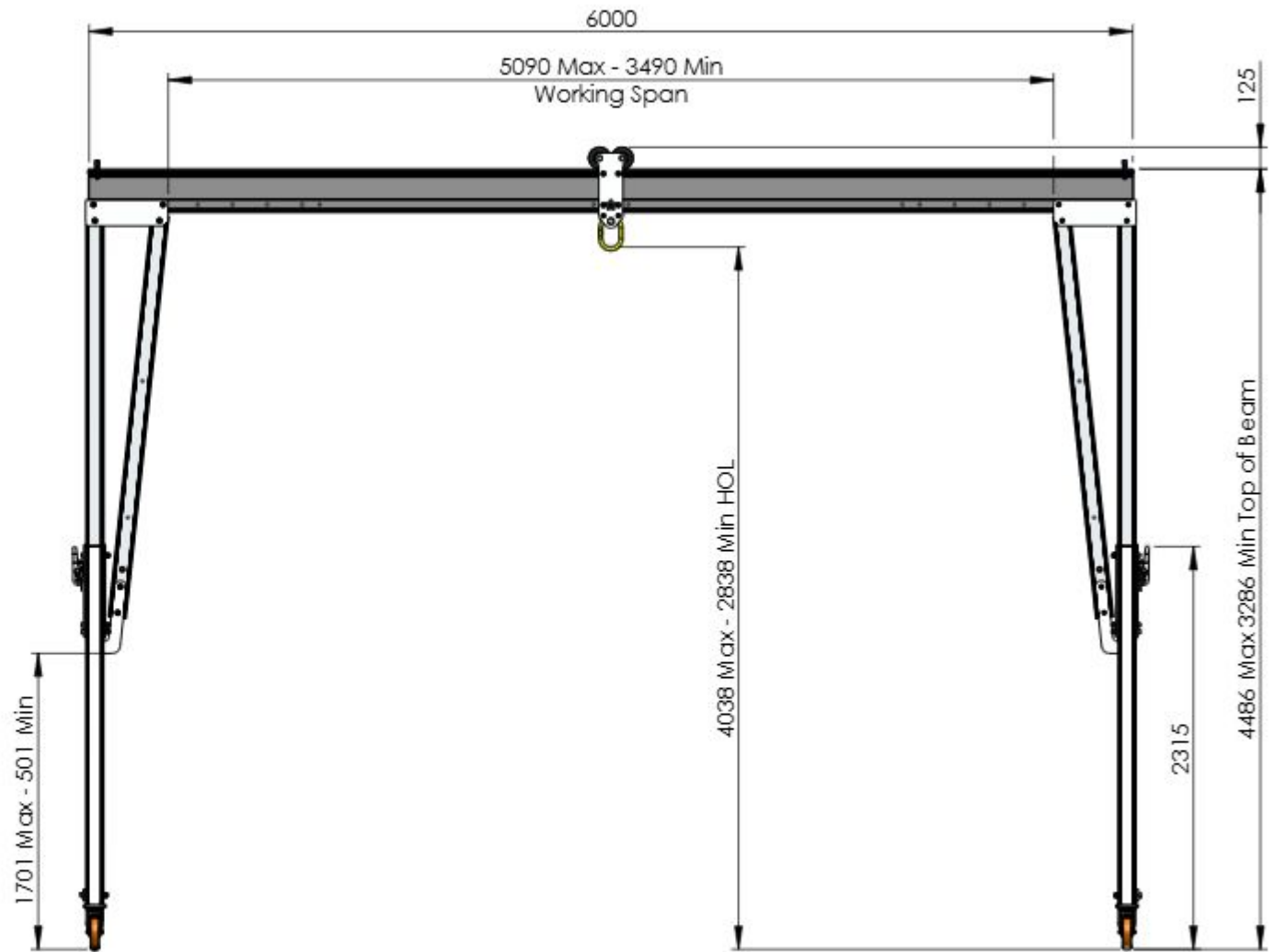
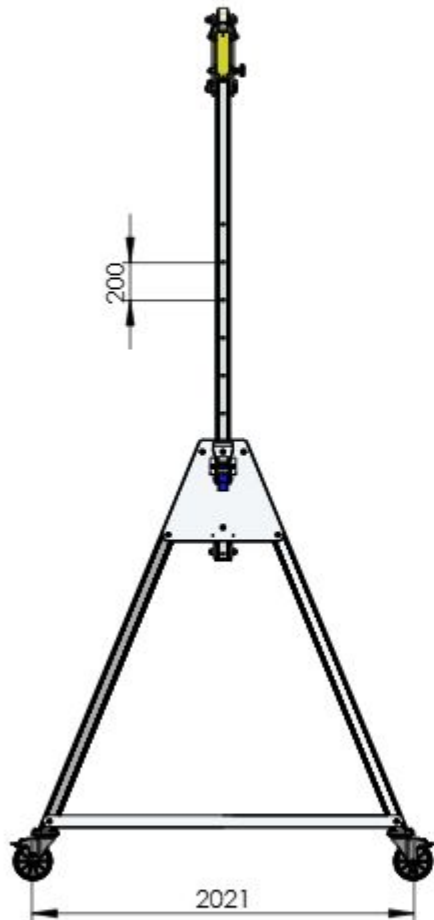
ALL COPYRIGHT AND DESIGN RIGHT SUBSISTING IN THIS DOCUMENT IS THE PROPERTY OF REID LIFTING LIMITED AND MAY NOT BE REPRODUCED WITHOUT REID LIFTING'S CONSENT. THIS DOCUMENT AND THE INFORMATION CONTAINED WITHIN IT IS CONFIDENTIAL AND MAY NOT BE DISCLOSED TO ANY THIRD PARTY NOR USED FOR ANY UNAUTHORIZED PURPOSE WITHOUT REID LIFTING'S CONSENT



TITLE: **General Arrangement of REID Lifting
Porta-Gantry Size Tall with 5500mm
Beam WLL3000kg**

DWG NO. **PGSS03000T-5500D** **A4**

Estimated Weight: 255kg 1:45 SHEET 2 OF 2



DO NOT SCALE DRAWING

REVISION **02**



Reid Lifting Limited. Unit 1
Wyeview, Newhouse Farm Ind. Est.,
Chepstow, Monmouthshire.
NP16 6UD, UK

Tel +44(0) 1291 620796
Fax +44(0) 1291 626490

www.reidlifting.com

enquiries@reidlifting.com

	NAME	DATE	FINISH:
DRAWN	BJ	22/01/2021	Anodised
CHK'D			MATERIAL:
APPR'D	CM	19/08/2021	Aluminium Alloy
<small>ALL COPYRIGHT AND DESIGN RIGHT SUBSISTING IN THIS DOCUMENT IS THE PROPERTY OF REID LIFTING LIMITED AND MAY NOT BE REPRODUCED WITHOUT REID LIFTING'S CONSENT. THIS DOCUMENT AND THE INFORMATION CONTAINED WITHIN IT IS CONFIDENTIAL AND MAY NOT BE DISCLOSED TO ANY THIRD PARTY NOR USED FOR ANY UNAUTHORISED PURPOSE WITHOUT REID LIFTING'S CONSENT</small>			
<small>UNLESS OTHERWISE SPECIFIED: DIMENSIONS ARE IN MILLIMETERS</small>			



TITLE: **General Arrangement of REID Lifting Porta-Gantry Size Tall with 6000mm Beam WLL3000kg**

DWG NO. **PGSS03000T-6000D** A4

Estimated Weight: 263kg 1:40 SHEET 1 OF 2

General Specification

- Maximum rated capacity for goods lifting - 3000kg
- Maximum rated capacity for personnel lifting - 1500kg
- Beam deflection at maximum rated capacity of 3000kg - between 40-50 mm at centre of span
- Maximum castor surface pressure at full load - 69.05 MPa
- Assembled gantry weight (excluding trollies) - 263kg
- All welding to BS EN ISO 15614-2: 2005 by certified welders.
- For further details and assembly information refer to Operations and Maintenance Manual for Porta Gantry Product. (available at www.reidlifting.com)

Fall Protection Standards

- Certified to EN795:2012 Type B & supplied under PPE Regulation 2016/425
- Notified Body Witness tested to the requirements of PD CEN/TS16415:2013 for 5 persons
- Exceeds the requirements of IRATA ICOP & BS7985 (15kN MBL)
- Tested to and meets the requirements of ANSI Z359.18.2017 for 3 persons.

Materials & Finishes

- Frame and beam - 6082 T6 Aluminium alloy. Anodised.
- Castors - Steel. Bright Zinc Plated.
- Castor Wheels & Rollers - Aluminium & Polyurethane
- Fixings - Steel. Grade 12.9. Bright Zinc Plated.

Note: Master Link Trolleys shown in system as a reference



Approved

DO NOT SCALE DRAWING

REVISION **02**



Reid Lifting Limited. Unit 1
Wyeview, Newhouse Farm Ind. Est.,
Chepstow, Monmouthshire.
NP16 6UD, UK

Tel +44(0)1291 620796
Fax: +44(0)1291 626490

www.reidlifting.com

enquiries@reidlifting.com

	NAME	DATE
DRAWN	BJ	22/01/2021
CHK'D		
APPR'D	CM	19/08/2021

UNLESS OTHERWISE SPECIFIED:
DIMENSIONS ARE IN MILLIMETERS

ALL COPYRIGHT AND DESIGN RIGHT SUBSISTING IN THIS DOCUMENT IS THE PROPERTY OF REID LIFTING LIMITED AND MAY NOT BE REPRODUCED WITHOUT REID LIFTING'S CONSENT. THIS DOCUMENT AND THE INFORMATION CONTAINED WITHIN IT IS CONFIDENTIAL AND MAY NOT BE DISCLOSED TO ANY THIRD PARTY NOR USED FOR ANY UNAUTHORIZED PURPOSE WITHOUT REID LIFTING'S CONSENT



TITLE: **General Arrangement of REID Lifting
Porta-Gantry Size Tall with 6000mm
Beam WLL3000kg**

DWG NO.

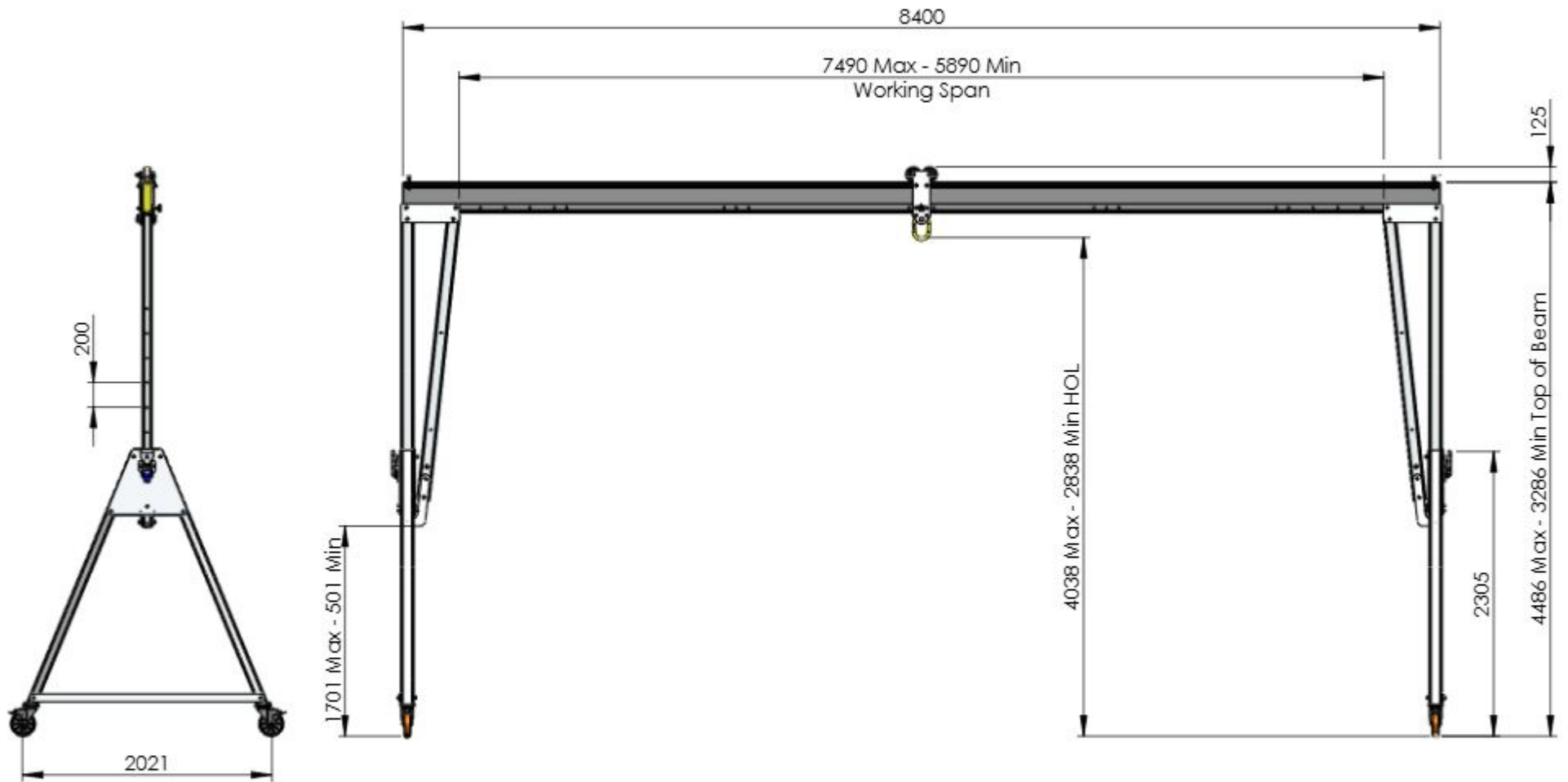
PGSS03000T-6000D

A4

Estimated Weight: 263kg

1:45

SHEET 2 OF 2



DO NOT SCALE DRAWING

REVISION

02



Reid Lifting Limited. Unit 1
Wyeview, Newhouse Farm Ind. Est.,
Chepstow, Monmouthshire.
NP16 6UD, UK

Tel +44(0) 1291 620796
Fax +44(0) 1291 626490

www.reidlifting.com

enquiries@reidlifting.com

	NAME	DATE	FINISH:
DRAWN	BJ	11/08/2020	Anodised
CHK'D			MATERIAL:
APPR'D	CM	25/08/2021	Aluminium Alloy
<small>ALL COPYRIGHT AND DESIGN RIGHT SUBSISTING IN THIS DOCUMENT IS THE PROPERTY OF REID LIFTING LIMITED AND MAY NOT BE REPRODUCED WITHOUT REID LIFTING'S CONSENT. THIS DOCUMENT AND THE INFORMATION CONTAINED WITHIN IT IS CONFIDENTIAL AND MAY NOT BE DISCLOSED TO ANY THIRD PARTY NOR USED FOR ANY UNAUTHORISED PURPOSE WITHOUT REID LIFTING'S CONSENT</small>			
<small>UNLESS OTHERWISE SPECIFIED: DIMENSIONS ARE IN MILLIMETERS</small>			

TITLE:

**General Arrangement of REID
Lifting Porta-Gantry Size Tall -
8400mm Beam WLL3000kg**

DWG NO.

PGSS03000T-8400D

A4

Estimated Weight: 300kg

1:50

SHEET 1 OF 2

General Specification

- Maximum rated capacity for goods lifting - 3000kg
- Maximum rated capacity for personnel lifting - 1500kg
- Beam deflection at maximum rated capacity of 3000kg - between 100-110 mm at centre of span
- Maximum castor surface pressure at full load - 69.46 MPa
- Assembled gantry weight (excluding trollies) - 300kg
- All welding to BS EN ISO 15614-2: 2005 by certified welders.
- For further details and assembly information refer to Operations and Maintenance Manual for Porta Gantry Product. (available at www.reidlifting.com)

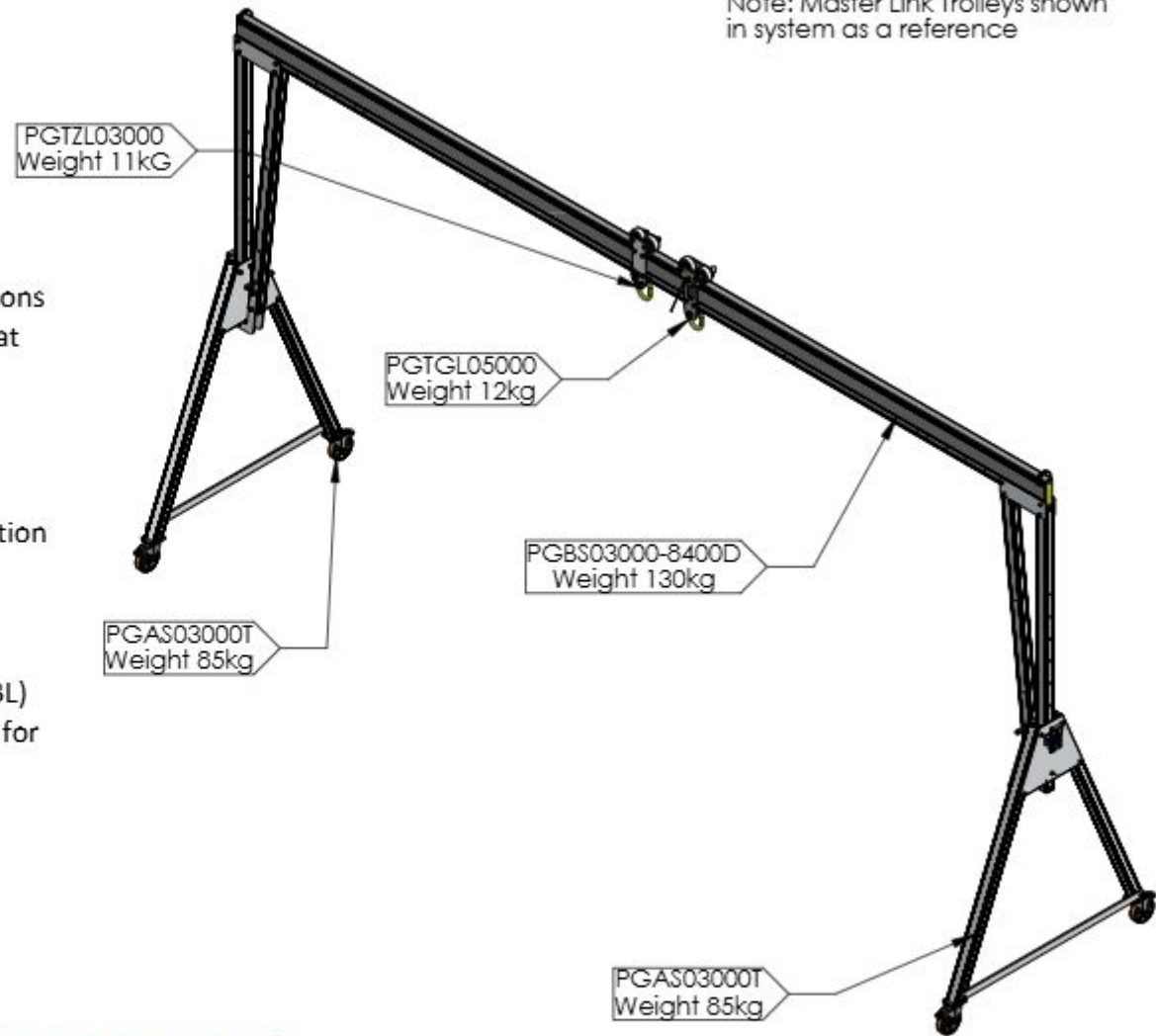
Fall Protection Standards

- Certified to EN795:2012 Type B & supplied under PPE Regulation 2016/425
- Notified Body Witness tested to the requirements of PD CEN/TS16415:2013 for 5 persons
- Exceeds the requirements of IRATA ICOP & BS7985 (15kN MBL)
- Tested to and meets the requirements of ANSI Z359.18.2017 for 3 persons.

Materials & Finishes

- Frame and beam - 6082 T6 Aluminium alloy. Anodised.
- Castors - Steel. Bright Zinc Plated.
- Castor Wheels & Rollers - Aluminium & Polyurethane
- Fixings - Steel. Grade 12.9. Bright Zinc Plated.

Note: Master Link Trollies shown in system as a reference



Approved

DO NOT SCALE DRAWING

REVISION **02**



Reid Lifting Limited. Unit 1
Wyeview, Newhouse Farm Ind. Est.,
Chepstow, Monmouthshire.
NP16 6UD, UK

Tel +44(0)1291 620796
Fax: +44(0)1291 626490

www.reidlifting.com

enquiries@reidlifting.com

	NAME	DATE
DRAWN	B J	11/08/2020
CHK'D		
APPR'D	CM	25/08/2021

UNLESS OTHERWISE SPECIFIED:
DIMENSIONS ARE IN MILLIMETERS

ALL COPYRIGHT AND DESIGN RIGHT SUBSISTING IN THIS DOCUMENT IS THE PROPERTY OF REID LIFTING LIMITED AND MAY NOT BE REPRODUCED WITHOUT REID LIFTING'S CONSENT. THIS DOCUMENT AND THE INFORMATION CONTAINED WITHIN IT IS CONFIDENTIAL AND MAY NOT BE DISCLOSED TO ANY THIRD PARTY NOR USED FOR ANY UNAUTHORISED PURPOSE WITHOUT REID LIFTING'S CONSENT



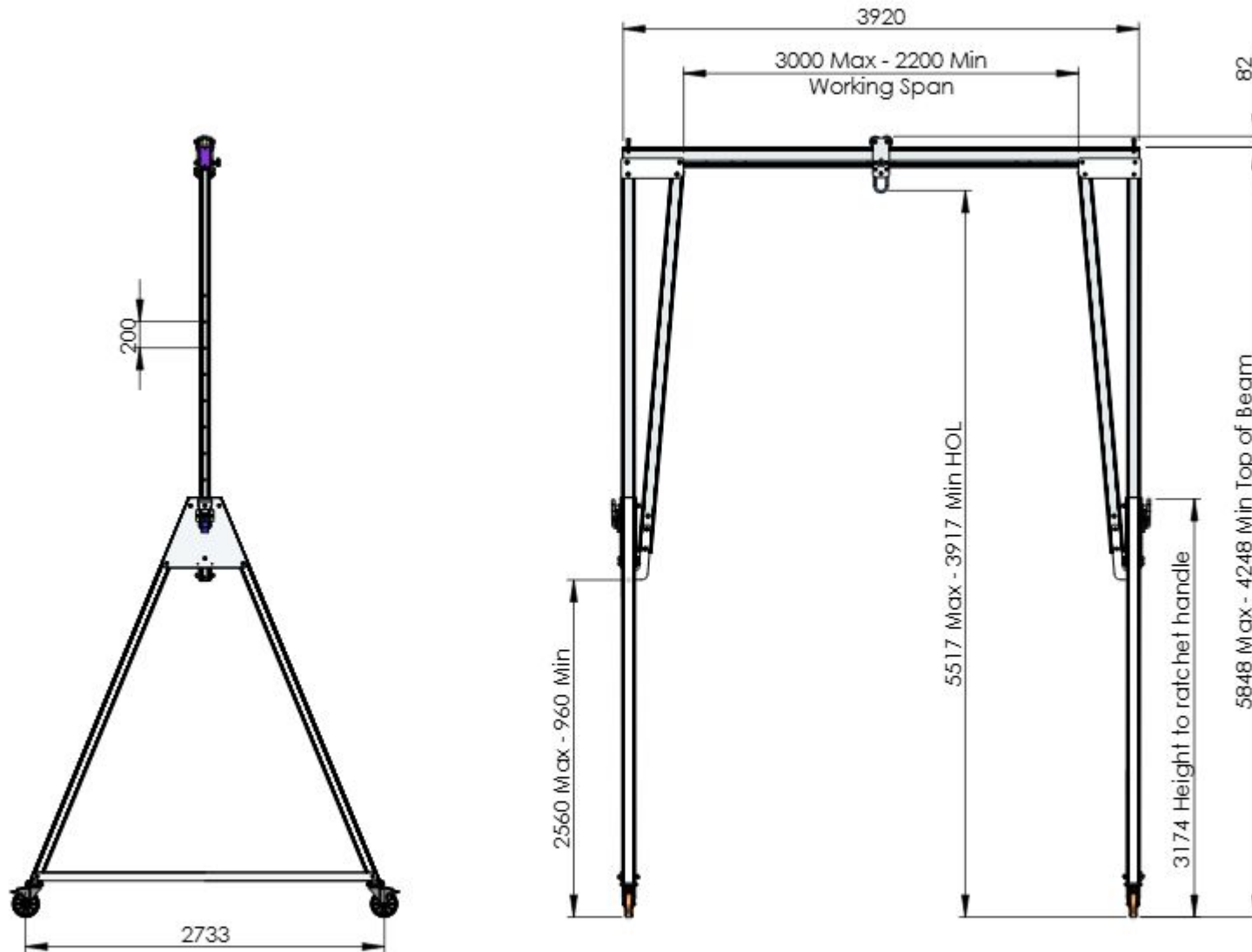
TITLE: **General Arrangement of REID Lifting
Porta-Gantry Size Tall - 8400mm
Beam WLL3000kg**

DWG NO. **PGSS03000T-8400D** A4

Estimated Weight: 300kg 1:55 SHEET 2 OF 2



To ensure the stability of the structure, the working span of the beam must be equal to or greater than the distance between castors on the A-frame



DO NOT SCALE DRAWING

REVISION **02**



Reid Lifting Limited. Unit 1
Wyeview, Newhouse Farm Ind. Est.,
Chepstow, Monmouthshire.
NP16 6UD, UK

Tel +44(0) 1291 620796
Fax +44(0) 1291 626490

www.reidlifting.com

enquiries@reidlifting.com

	NAME	DATE	FINISH:
DRAWN	TB	26/05/2021	Anodised
CHK'D			MATERIAL:
APPR'D	CM	13/03/2023	Aluminium Alloy

ALL COPYRIGHT AND DESIGN RIGHT SUBSISTING IN THIS DOCUMENT IS THE PROPERTY OF REID LIFTING LIMITED AND MAY NOT BE REPRODUCED WITHOUT REID LIFTING'S CONSENT. THIS DOCUMENT AND THE INFORMATION CONTAINED WITHIN IT IS CONFIDENTIAL AND MAY NOT BE DISCLOSED TO ANY THIRD PARTY NOR USED FOR ANY UNAUTHORISED PURPOSE WITHOUT REID LIFTING'S CONSENT

UNLESS OTHERWISE SPECIFIED:
DIMENSIONS ARE IN MILLIMETERS

TITLE: **General Arrangement of REID Lifting Porta-Gantry Size TC2 - 3920mm Beam WLL3000kg**

DWG NO. **PGSS03000TC2-3920B**

A4

Estimated Weight: 231 kg

1:50

SHEET 1 OF 2

General Specification

- Maximum rated capacity for goods lifting - 3000kg
- Maximum rated capacity for personnel lifting - 1500kg
- Beam deflection at maximum rated capacity of 3000kg - 35-45 mm at centre of span
- Maximum castor surface pressure at full load - 68.61 MPa
- Assembled gantry weight (excluding trolleys) - 231kg
- All welding to BS EN ISO 15614-2: 2005 by certified welders.
- For further details and assembly information refer to Operations and Maintenance Manual for Porta Gantry Product. (available at www.reidlifting.com)

Fall Protection Standards

- Certified to EN795:2012 Type B & supplied under PPE Regulation 2016/425
- Notified Body Witness tested to the requirements of PD CEN/TS16415:2013 for 5 persons
- Exceeds the requirements of IRATA ICOP & BS7985 (15kN MBL)
- Tested to and meets the requirements of ANSI Z359.18.2017 for 3 persons.

Materials & Finishes

- Frame and beam - 6082 T6 Aluminium alloy. Anodised.
- Castors - Steel. Bright Zinc Plated.
- Castor Wheels & Rollers - Aluminium & Polyurethane
- Fixings - Steel. Grade 12.9. Bright Zinc Plated.

Note: Master Link Trolleys shown in system as a reference



Approved

DO NOT SCALE DRAWING

REVISION **02**



Reid Lifting Limited. Unit 1
Wyeview, Newhouse Farm Ind. Est.,
Chepstow, Monmouthshire.
NP16 6UD, UK

Tel +44(0)1291 620796
Fax: +44(0)1291 626490

www.reidlifting.com

enquiries@reidlifting.com

	NAME	DATE
DRAWN	TB	26/05/2021
CHK'D		
APPR'D	CM	13/03/2023

UNLESS OTHERWISE SPECIFIED:
DIMENSIONS ARE IN MILLIMETERS

ALL COPYRIGHT AND DESIGN RIGHT SUBSISTING IN THIS DOCUMENT IS THE PROPERTY OF REID LIFTING LIMITED AND MAY NOT BE REPRODUCED WITHOUT REID LIFTING'S CONSENT. THIS DOCUMENT AND THE INFORMATION CONTAINED WITHIN IT IS CONFIDENTIAL AND MAY NOT BE DISCLOSED TO ANY THIRD PARTY NOR USED FOR ANY UNAUTHORISED PURPOSE WITHOUT REID LIFTING'S CONSENT



TITLE: **General Arrangement of REID Lifting Porta-Gantry Size TC2 - 3920mm Beam WLL3000kg**

DWG NO. **PGSS03000TC2-3920B**

A4

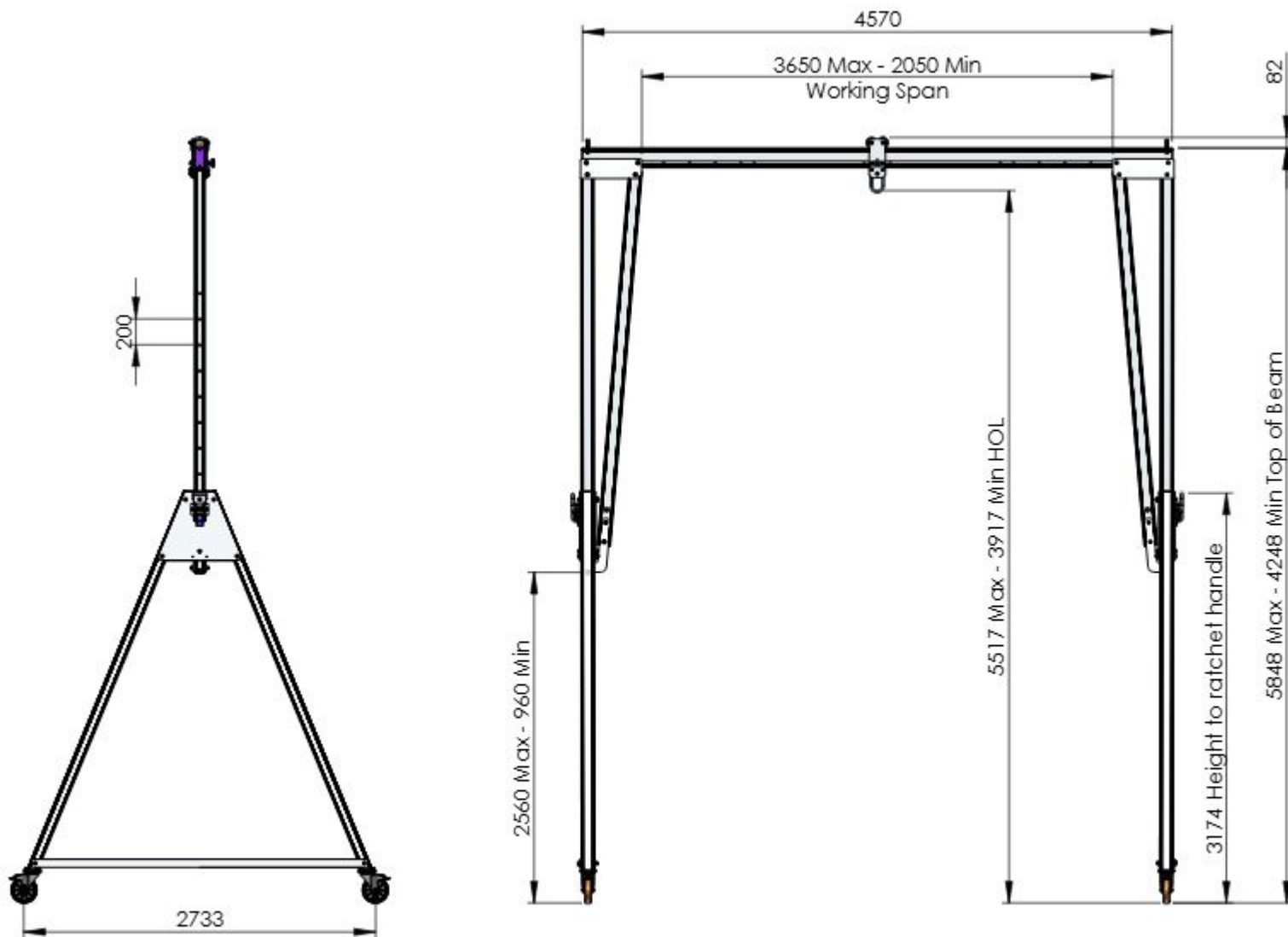
Estimated Weight: 231 kg

1:55

SHEET 2 OF 2



To ensure the stability of the structure, the working span of the beam must be equal to or greater than the distance between castors on the A-frame



DO NOT SCALE DRAWING

REVISION **02**



Reid Lifting Limited. Unit 1
Wyeview, Newhouse Farm Ind. Est.,
Chepstow, Monmouthshire,
NP16 6UD, UK

Tel +44(0) 1291 620796
Fax +44(0) 1291 626490

www.reidlifting.com

enquiries@reidlifting.com

	NAME	DATE	FINISH:
DRAWN	TB	26/05/2021	Anodised
CHK'D			MATERIAL:
APPR'D	CM	13/03/2023	Aluminium Alloy
<small>ALL COPYRIGHT AND DESIGN RIGHT SUBSISTING IN THIS DOCUMENT IS THE PROPERTY OF REID LIFTING LIMITED AND MAY NOT BE REPRODUCED WITHOUT REID LIFTING'S CONSENT. THIS DOCUMENT AND THE INFORMATION CONTAINED WITHIN IT IS CONFIDENTIAL AND MAY NOT BE DISCLOSED TO ANY THIRD PARTY NOR USED FOR ANY UNAUTHORISED PURPOSE WITHOUT REID LIFTING'S CONSENT</small>			
<small>UNLESS OTHERWISE SPECIFIED: DIMENSIONS ARE IN MILLIMETERS</small>			



TITLE: **General Arrangement of REID Lifting Porta-Gantry Size TC2 - 4570mm Beam WLL3000kg**

DWG NO. **PGSS03000TC2-4570B** A4

Estimated Weight: 237 kg 1:50 SHEET 1 OF 2

General Specification

- Maximum rated capacity for goods lifting - 3000kg
- Maximum rated capacity for personnel lifting - 1500kg
- Beam deflection at maximum rated capacity of 3000kg - 60-70 mm at centre of span
- Maximum castor surface pressure at full load - 68.68 MPa
- Assembled gantry weight (excluding trollies) - 237kg
- All welding to BS EN ISO 15614-2: 2005 by certified welders.
- For further details and assembly information refer to Operations and Maintenance Manual for Porta Gantry Product. (available at www.reidlifting.com)

Fall Protection Standards

- Certified to EN795:2012 Type B & supplied under PPE Regulation 2016/425
- Notified Body Witness tested to the requirements of PD CEN/TS16415:2013 for 5 persons
- Exceeds the requirements of IRATA ICOP & BS7985 (15kN MBL)
- Tested to and meets the requirements of ANSI Z359.18.2017 for 3 persons.

Materials & Finishes

- Frame and beam - 6082 T6 Aluminium alloy. Anodised.
- Castors - Steel. Bright Zinc Plated.
- Castor Wheels & Rollers - Aluminium & Polyurethane
- Fixings - Steel. Grade 12.9. Bright Zinc Plated.

Note: Master Link Trolleys shown in system as a reference



Approved

DO NOT SCALE DRAWING

REVISION **02**



Reid Lifting Limited. Unit 1
Wyeview, Newhouse Farm Ind. Est.,
Chepstow, Monmouthshire.
NP16 6UD, UK

Tel +44(0)1291 620796
Fax: +44(0)1291 626490

www.reidlifting.com

enquiries@reidlifting.com

	NAME	DATE
DRAWN	TB	26/05/2021
CHK'D		
APPROV'D	CM	13/03/2023

UNLESS OTHERWISE SPECIFIED:
DIMENSIONS ARE IN MILLIMETERS

ALL COPYRIGHT AND DESIGN RIGHT SUBSISTING IN THIS DOCUMENT IS THE PROPERTY OF REID LIFTING LIMITED AND MAY NOT BE REPRODUCED WITHOUT REID LIFTING'S CONSENT. THIS DOCUMENT AND THE INFORMATION CONTAINED WITHIN IT IS CONFIDENTIAL AND MAY NOT BE DISCLOSED TO ANY THIRD PARTY NOR USED FOR ANY UNAUTHORIZED PURPOSE WITHOUT REID LIFTING'S CONSENT



TITLE: **General Arrangement of REID Lifting Porta-Gantry Size TC2 - 4570mm Beam WLL3000kg**

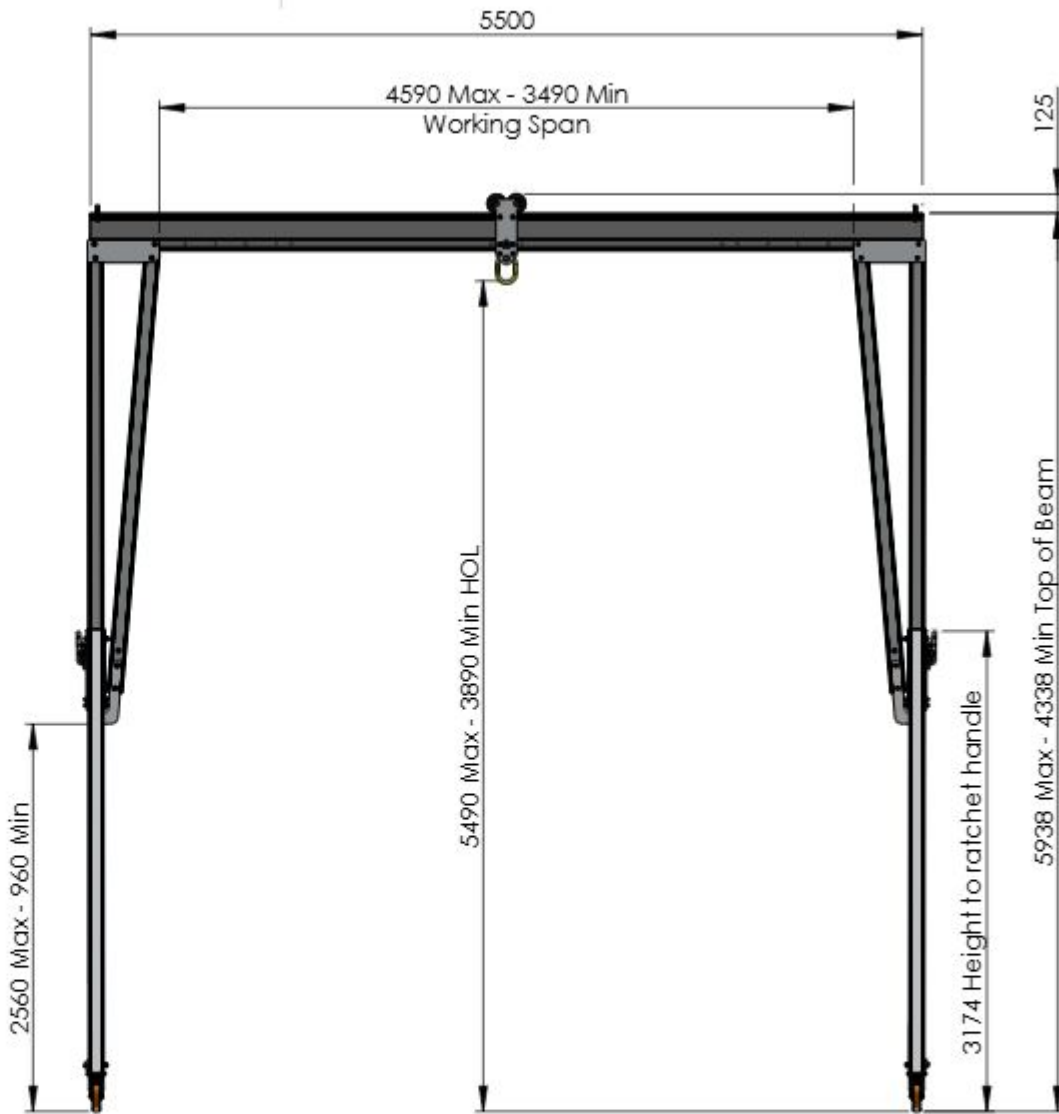
DWG NO. **PGSS03000TC2-4570B**

A4

Estimated Weight: 237 kg

1:55

SHEET 2 OF 2



DO NOT SCALE DRAWING

REVISION **01**



Reid Lifting Limited. Unit 1
Wyeview, Newhouse Farm Ind. Est.,
Chepstow, Monmouthshire.
NP16 6UD, UK

Tel +44(0) 1291 620796
Fax +44(0) 1291 626490

www.reidlifting.com

enquiries@reidlifting.com

	NAME	DATE	FINISH:
DRAWN	TB	08/06/2021	Anodised
CHK'D			MATERIAL:
APP'VD	CM	11/02/2022	Aluminium Alloy
<small>ALL COPYRIGHT AND DESIGN RIGHT SUBSISTING IN THIS DOCUMENT IS THE PROPERTY OF REID LIFTING LIMITED AND MAY NOT BE REPRODUCED WITHOUT REID LIFTING'S CONSENT. THIS DOCUMENT AND THE INFORMATION CONTAINED WITHIN IT IS CONFIDENTIAL AND MAY NOT BE DISCLOSED TO ANY THIRD PARTY NOR USED FOR ANY UNAUTHORISED PURPOSE WITHOUT REID LIFTING'S CONSENT</small>			
<small>UNLESS OTHERWISE SPECIFIED: DIMENSIONS ARE IN MILLIMETERS</small>			

TITLE: **General Arrangement of Reid Lifting Porta-Gantry Type: TC2 WLL 3000kg**

DWG NO. **PGSS03000TC2-5500D**

A4

Estimated Weight: 279 kg

1:50

SHEET 1 OF 2

General Specification

- Maximum rated capacity for goods lifting - 3000kg
- Maximum rated capacity for personnel lifting - 1500kg
- Beam deflection at maximum rated capacity of 3000kg - 30-40 mm at centre of span
- Maximum castor surface pressure at full load - 69.23 MPa
- Assembled gantry weight (excluding trolleys) - 279kg
- All welding to BS EN ISO 15614-2: 2005 by certified welders.
- For further details and assembly information refer to Operations and Maintenance Manual for Porta Gantry Product. (available at www.reidlifting.com)

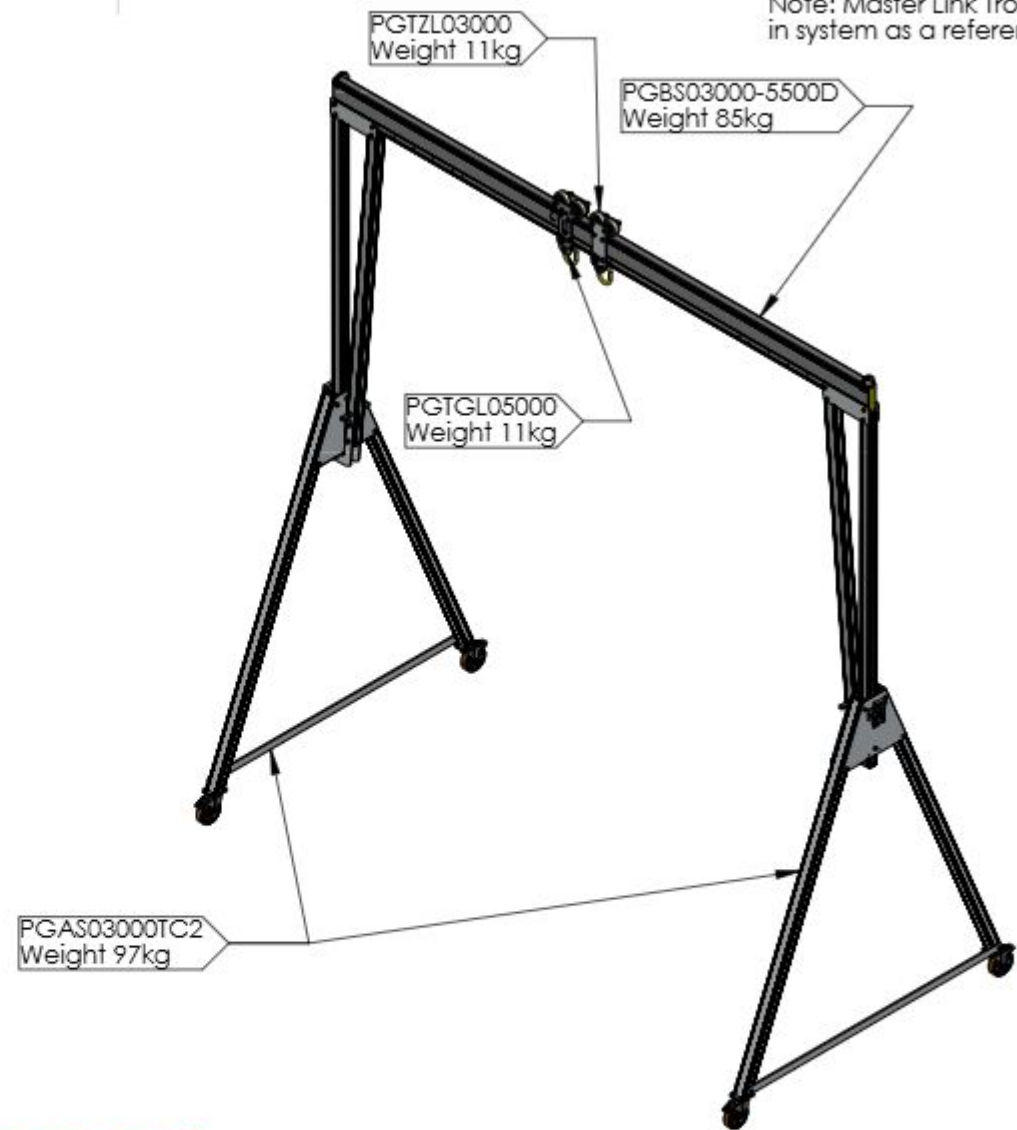
Fall Protection Standards

- Certified to EN795:2012 Type B & supplied under PPE Regulation 2016/425
- Notified Body Witness tested to the requirements of PD CEN/TS16415:2013 for 5 persons
- Exceeds the requirements of IRATA ICOP & BS7985 (15kN MBL)
- Tested to and meets the requirements of ANSI Z359.18.2017 for 3 persons.

Materials & Finishes

- Frame and beam - 6082 T6 Aluminium alloy. Anodised.
- Castors - Steel. Bright Zinc Plated.
- Castor Wheels & Rollers - Aluminium & Polyurethane
- Fixings - Steel. Grade 12.9. Bright Zinc Plated.

Note: Master Link Trolleys shown in system as a reference



Approved

DO NOT SCALE DRAWING

REVISION

01



Reid Lifting Limited. Unit 1
Wyeview, Newhouse Farm Ind. Est.,
Chepstow, Monmouthshire.
NP16 6UD, UK

Tel +44(0)1291 620796
Fax: +44(0)1291 626490

www.reidlifting.com

enquiries@reidlifting.com

	NAME	DATE
DRAWN	TB	08/06/2021
CHK'D		
APP'VD	CM	11/02/2022

UNLESS OTHERWISE SPECIFIED:
DIMENSIONS ARE IN MILLIMETERS

ALL COPYRIGHT AND DESIGN RIGHT SUBSISTING IN THIS DOCUMENT IS THE PROPERTY OF REID LIFTING LIMITED AND MAY NOT BE REPRODUCED WITHOUT REID LIFTING'S CONSENT. THIS DOCUMENT AND THE INFORMATION CONTAINED WITHIN IT IS CONFIDENTIAL AND MAY NOT BE DISCLOSED TO ANY THIRD PARTY NOR USED FOR ANY UNAUTHORIZED PURPOSE WITHOUT REID LIFTING'S CONSENT



TITLE: **General Arrangement of Reid Lifting Porta-Gantry Type: TC2 WLL 3000kg**

DWG NO.

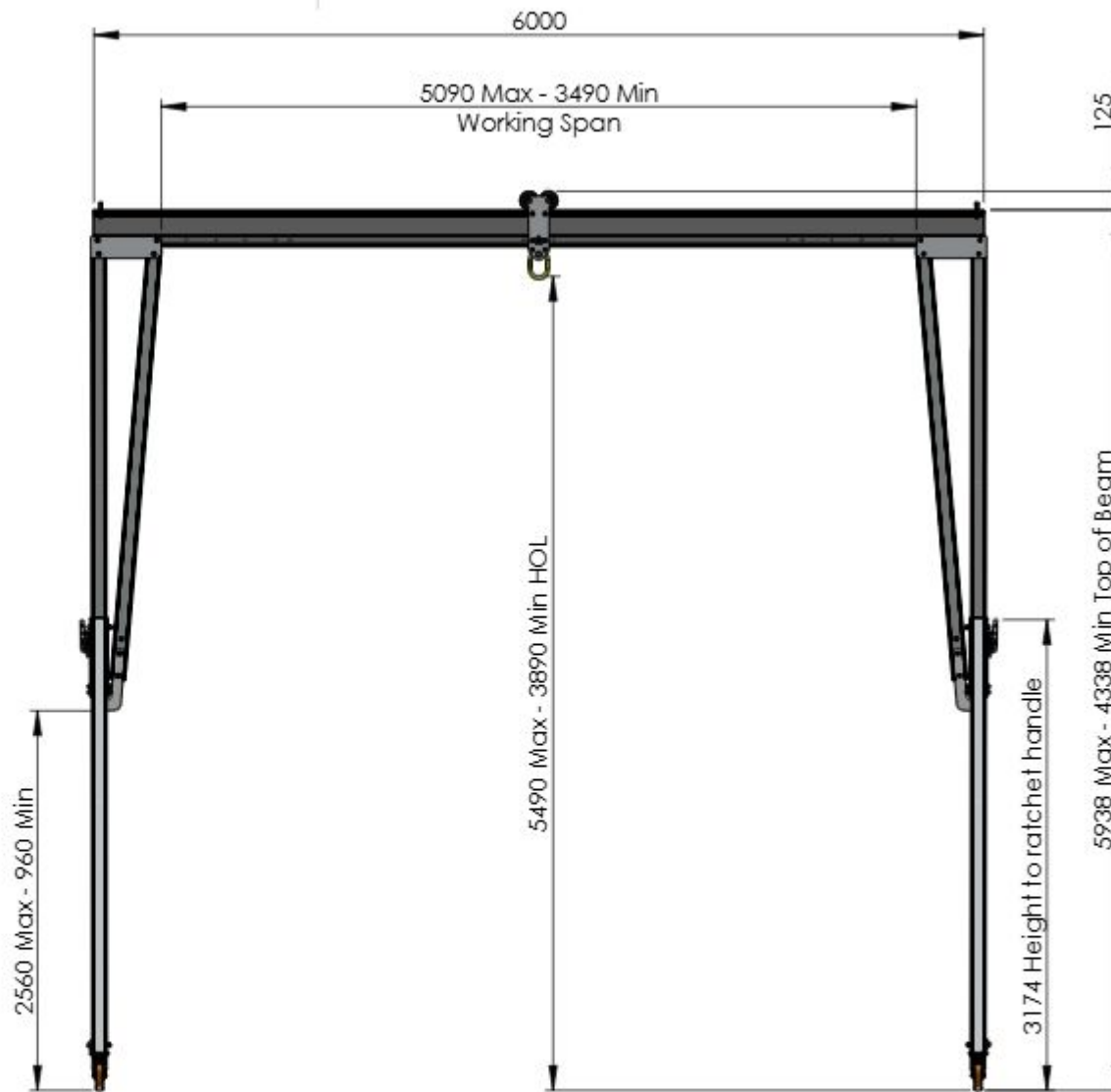
PGSS03000TC2-5500D

A4

Estimated Weight: 279 kg

1:55

SHEET 2 OF 2



DO NOT SCALE DRAWING

REVISION

01



Reid Lifting Limited. Unit 1
Wyeview, Newhouse Farm Ind. Est.,
Chepstow, Monmouthshire,
NP16 6UD, UK

Tel +44(0) 1291 620796
Fax +44(0) 1291 626490

www.reidlifting.com

enquiries@reidlifting.com

	NAME	DATE	FINISH:
DRAWN	TB	08/06/2021	Anodised
CHK'D			MATERIAL:
APP'VD	CM	11/02/2022	Aluminium Alloy
<small>ALL COPYRIGHT AND DESIGN RIGHT SUBSISTING IN THIS DOCUMENT IS THE PROPERTY OF REID LIFTING LIMITED AND MAY NOT BE REPRODUCED WITHOUT REID LIFTING'S CONSENT. THIS DOCUMENT AND THE INFORMATION CONTAINED WITHIN IT IS CONFIDENTIAL AND MAY NOT BE DISCLOSED TO ANY THIRD PARTY NOR USED FOR ANY UNAUTHORISED PURPOSE WITHOUT REID LIFTING'S CONSENT</small>			
<small>UNLESS OTHERWISE SPECIFIED: DIMENSIONS ARE IN MILLIMETERS</small>			

TITLE:

**General Arrangement of Reid
Lifting Porta-Gantry Type: TC2
WLL 3000kg**

DWG NO.

PGSS03000TC2-6000D

A4

Estimated Weight: 287 kg

1:50

SHEET 1 OF 2

General Specification

- Maximum rated capacity for goods lifting - 3000kg
- Maximum rated capacity for personnel lifting - 1500kg
- Beam deflection at maximum rated capacity of 3000kg - 40-50 mm at centre of span
- Maximum castor surface pressure at full load - 69.32 MPa
- Assembled gantry weight (excluding trolleys) - 287kg
- All welding to BS EN ISO 15614-2: 2005 by certified welders.
- For further details and assembly information refer to Operations and Maintenance Manual for Porta Gantry Product. (available at www.reidlifting.com)

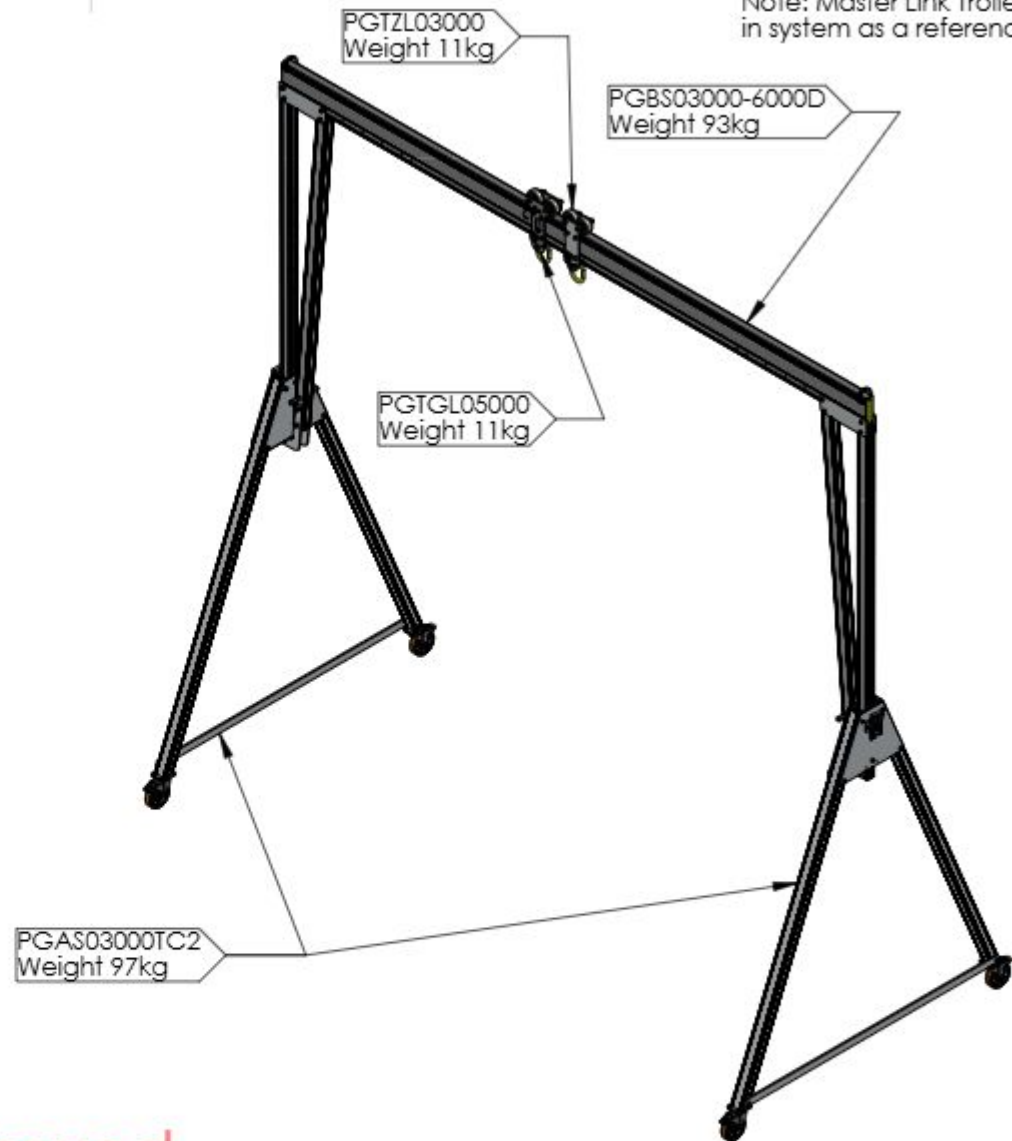
Fall Protection Standards

- Certified to EN795:2012 Type B & supplied under PPE Regulation 2016/425
- Notified Body Witness tested to the requirements of PD CEN/TS16415:2013 for 5 persons
- Exceeds the requirements of IRATA ICOP & BS7985 (15kN MBL)
- Tested to and meets the requirements of ANSI Z359.18.2017 for 3 persons.

Materials & Finishes

- Frame and beam - 6082 T6 Aluminium alloy. Anodised.
- Castors - Steel. Bright Zinc Plated.
- Castor Wheels & Rollers - Aluminium & Polyurethane
- Fixings - Steel. Grade 12.9. Bright Zinc Plated.

Note: Master Link Trolleys shown in system as a reference



Approved

DO NOT SCALE DRAWING

REVISION

01



Reid Lifting Limited. Unit 1
Wyeview, Newhouse Farm Ind. Est.,
Chepstow, Monmouthshire.
NP16 6UD, UK

Tel +44(0)1291 620796
Fax: +44(0)1291 626490

www.reidlifting.com

enquiries@reidlifting.com

	NAME	DATE
DRAWN	TB	08/06/2021
CHK'D		
APP'VD	CM	11/02/2022

UNLESS OTHERWISE SPECIFIED:
DIMENSIONS ARE IN MILLIMETERS

ALL COPYRIGHT AND DESIGN RIGHT SUBSISTING IN THIS DOCUMENT IS THE PROPERTY OF REID LIFTING LIMITED AND MAY NOT BE REPRODUCED WITHOUT REID LIFTING'S CONSENT. THIS DOCUMENT AND THE INFORMATION CONTAINED WITHIN IT IS CONFIDENTIAL AND MAY NOT BE DISCLOSED TO ANY THIRD PARTY NOR USED FOR ANY UNAUTHORISED PURPOSE WITHOUT REID LIFTING'S CONSENT



TITLE: **General Arrangement of Reid Lifting Porta-Gantry Type: TC2 WLL 3000kg**

DWG NO.

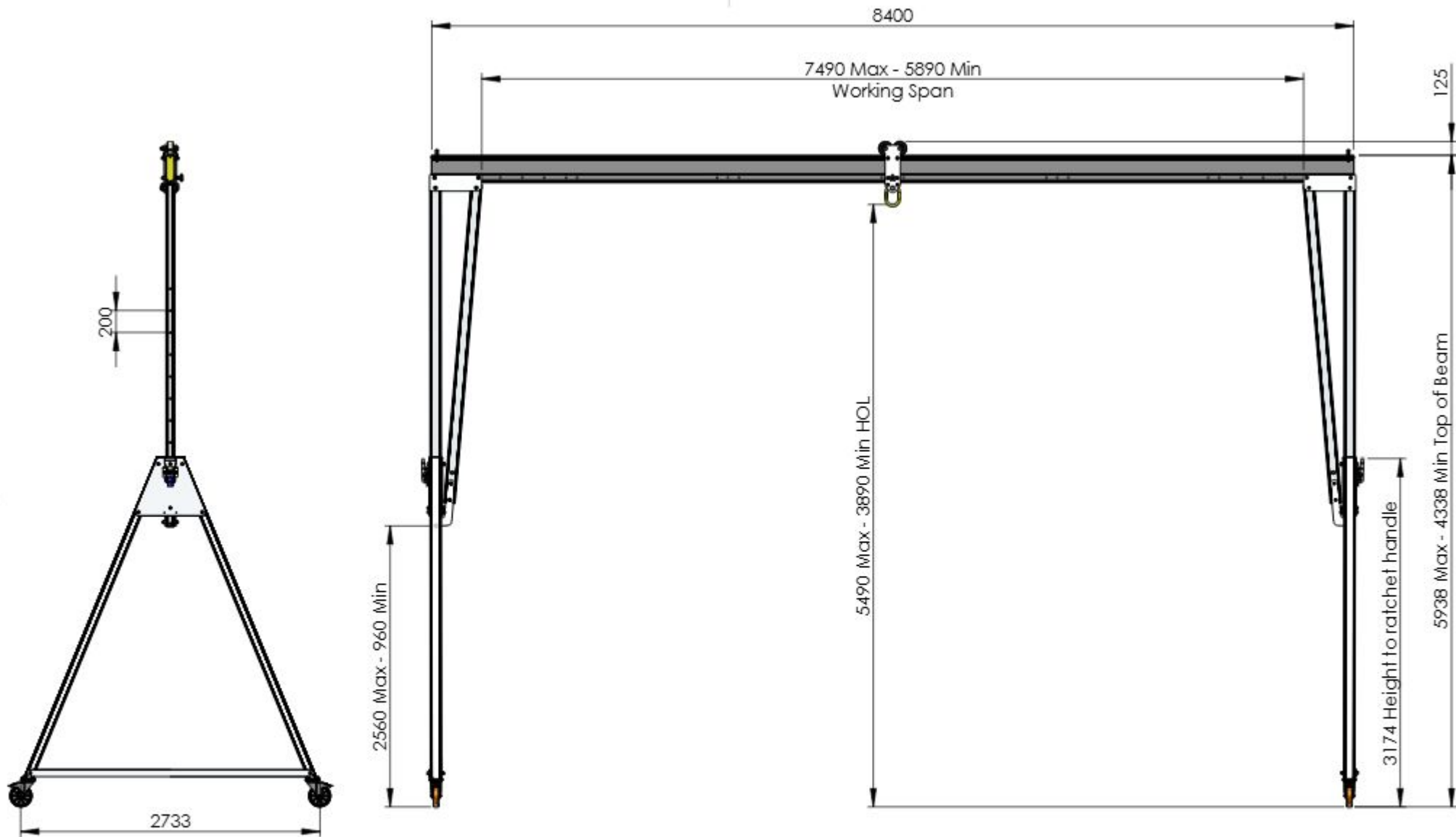
PGSS03000TC2-6000D

A4

Estimated Weight: 287 kg

1:55

SHEET 2 OF 2



DO NOT SCALE DRAWING

REVISION

01



Reid Lifting Limited. Unit 1
Wyeview, Newhouse Farm Ind. Est.,
Chepstow, Monmouthshire.
NP16 6UD, UK

Tel +44(0) 1291 620796
Fax +44(0) 1291 626490

www.reidlifting.com

enquiries@reidlifting.com

	NAME	DATE	FINISH:
DRAWN	TB	08/06/2021	Anodised
CHK'D			MATERIAL:
APPR'D	CM	11/02/2022	Aluminium Alloy
<small>ALL COPYRIGHT AND DESIGN RIGHT SUBSISTING IN THIS DOCUMENT IS THE PROPERTY OF REID LIFTING LIMITED AND MAY NOT BE REPRODUCED WITHOUT REID LIFTING'S CONSENT. THIS DOCUMENT AND THE INFORMATION CONTAINED WITHIN IT IS CONFIDENTIAL AND MAY NOT BE DISCLOSED TO ANY THIRD PARTY NOR USED FOR ANY UNAUTHORISED PURPOSE WITHOUT REID LIFTING'S CONSENT</small>			
<small>UNLESS OTHERWISE SPECIFIED: DIMENSIONS ARE IN MILLIMETERS</small>			



TITLE: **General Arrangement of REID Lifting Porta-Gantry Size: TC2 8400mm Beam WLL 3000kg**

DWG NO. **PGSS03000TC2-8400D** A4

Estimated Weight: 324 kg 1:50 SHEET 1 OF 2

General Specification

- Maximum rated capacity for goods lifting - 3000kg
- Maximum rated capacity for personnel lifting - 1500kg
- Beam deflection at maximum rated capacity of 3000kg - 100-110 mm at centre of span
- Maximum castor surface pressure at full load - 69.72 MPa
- Assembled gantry weight (excluding trolleys) - 324kg
- All welding to BS EN ISO 15614-2: 2005 by certified welders.
- For further details and assembly information refer to Operations and Maintenance Manual for Porta Gantry Product. (available at www.reidlifting.com)

Fall Protection Standards

- Certified to EN795:2012 Type B & supplied under PPE Regulation 2016/425
- Notified Body Witness tested to the requirements of PD CEN/TS16415:2013 for 5 persons
- Exceeds the requirements of IRATA ICOP & BS7985 (15kN MBL)
- Tested to and meets the requirements of ANSI Z359.18.2017 for 3 persons.

Materials & Finishes

- Frame and beam - 6082 T6 Aluminium alloy. Anodised.
- Castors - Steel. Bright Zinc Plated.
- Castor Wheels & Rollers - Aluminium & Polyurethane
- Fixings - Steel. Grade 12.9. Bright Zinc Plated.

Note: Master Link Trolleys shown in system as a reference



Approved

DO NOT SCALE DRAWING

REVISION

01



Reid Lifting Limited. Unit 1
Wyeview, Newhouse Farm Ind. Est.,
Chepstow, Monmouthshire.
NP16 6UD, UK

Tel +44(0)1291 620796
Fax: +44(0)1291 626490

www.reidlifting.com

enquiries@reidlifting.com

	NAME	DATE
DRAWN	TB	08/06/2021
CHK'D		
APPR'D	CM	11/02/2022

UNLESS OTHERWISE SPECIFIED:
DIMENSIONS ARE IN MILLIMETERS

ALL COPYRIGHT AND DESIGN RIGHT SUBSISTING IN THIS DOCUMENT IS THE PROPERTY OF REID LIFTING LIMITED AND MAY NOT BE REPRODUCED WITHOUT REID LIFTING'S CONSENT. THIS DOCUMENT AND THE INFORMATION CONTAINED WITHIN IT IS CONFIDENTIAL AND MAY NOT BE DISCLOSED TO ANY THIRD PARTY NOR USED FOR ANY UNAUTHORISED PURPOSE WITHOUT REID LIFTING'S CONSENT



TITLE: **General Arrangement of REID Lifting Porta-Gantry Size: TC2 8400mm Beam WLL 3000kg**

DWG NO.

PGSS03000TC2-8400D

A4

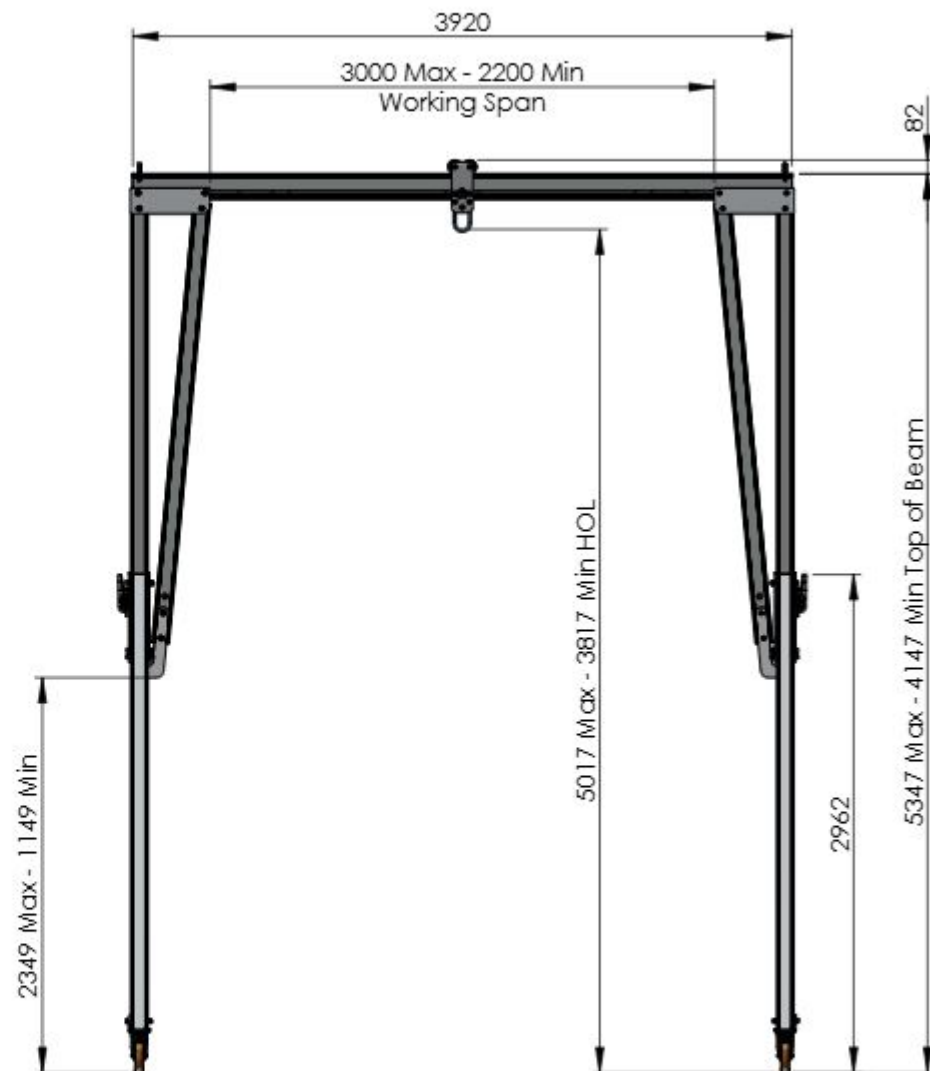
Estimated Weight: 324 kg

1:60

SHEET 2 OF 2



To ensure the stability of the structure, the working span of the beam must be equal to or greater than the distance between castors on the A-frame



DO NOT SCALE DRAWING

REVISION **03**



Reid Lifting Limited. Unit 1
Wyeview, Newhouse Farm Ind. Est.,
Chepstow, Monmouthshire.
NP16 6UD, UK

Tel +44(0) 1291 620796
Fax +44(0) 1291 626490

www.reidlifting.com

enquiries@reidlifting.com

	NAME	DATE	FINISH:
DRAWN	BJ	19/01/2021	Anodised
CHK'D			MATERIAL:
APPR'D	CM	13/03/2023	Aluminium Alloy
<small>ALL COPYRIGHT AND DESIGN RIGHT SUBSISTING IN THIS DOCUMENT IS THE PROPERTY OF REID LIFTING LIMITED AND MAY NOT BE REPRODUCED WITHOUT REID LIFTING'S CONSENT. THIS DOCUMENT AND THE INFORMATION CONTAINED WITHIN IT IS CONFIDENTIAL AND MAY NOT BE DISCLOSED TO ANY THIRD PARTY NOR USED FOR ANY UNAUTHORISED PURPOSE WITHOUT REID LIFTING'S CONSENT</small>			
<small>UNLESS OTHERWISE SPECIFIED: DIMENSIONS ARE IN MILLIMETERS</small>			



TITLE: **General Arrangement of REID Lifting Porta-Gantry Size TC3 3920mm Beam WLL3000kg**

DWG NO. **PGSS03000TC3-3920B**

A4

Estimated Weight: 219kg

1:45

SHEET 1 OF 2

General Specification

- Maximum rated capacity for goods lifting - 3000kg
- Maximum rated capacity for personnel lifting - 1500kg
- Beam deflection at maximum rated capacity of 3000kg - between 35-45 mm at centre of span
- Maximum castor surface pressure at full load - 68.48 MPa
- Assembled gantry weight (excluding trollies) - 219kg
- All welding to BS EN ISO 15614-2: 2005 by certified welders.
- For further details and assembly information refer to Operations and Maintenance Manual for Porta Gantry Product. (available at www.reidlifting.com)

Fall Protection Standards

- Certified to EN795:2012 Type B & supplied under PPE Regulation 2016/425
- Notified Body Witness tested to the requirements of PD CEN/TS16415:2013 for 5 persons
- Exceeds the requirements of IRATA ICOP & BS7985 (15kN MBL)
- Tested to and meets the requirements of ANSI Z359.18.2017 for 3 persons.

Materials & Finishes

- Frame and beam - 6082 T6 Aluminium alloy. Anodised.
- Castors - Steel. Bright Zinc Plated.
- Castor Wheels & Rollers - Aluminium & Polyurethane
- Fixings - Steel. Grade 12.9. Bright Zinc Plated.

Note: Master Link Trolleys shown in system as a reference



Approved

DO NOT SCALE DRAWING

REVISION **03**



Reid Lifting Limited. Unit 1
Wyeview, Newhouse Farm Ind. Est.,
Chepstow, Monmouthshire.
NP16 6UD, UK

Tel +44(0)1291 620796
Fax: +44(0)1291 626490

www.reidlifting.com

enquiries@reidlifting.com

	NAME	DATE
DRAWN	BJ	19/01/2021
CHK'D		
APPR'D	CM	13/03/2023

UNLESS OTHERWISE SPECIFIED:
DIMENSIONS ARE IN MILLIMETERS

ALL COPYRIGHT AND DESIGN RIGHT SUBSISTING IN THIS DOCUMENT IS THE PROPERTY OF REID LIFTING LIMITED AND MAY NOT BE REPRODUCED WITHOUT REID LIFTING'S CONSENT. THIS DOCUMENT AND THE INFORMATION CONTAINED WITHIN IT IS CONFIDENTIAL AND MAY NOT BE DISCLOSED TO ANY THIRD PARTY NOR USED FOR ANY UNAUTHORISED PURPOSE WITHOUT REID LIFTING'S CONSENT



TITLE:

General Arrangement of REID Lifting Porta-Gantry Size TC3 3920mm Beam WLL3000kg

DWG NO.

PGSS03000TC3-3920B

A4

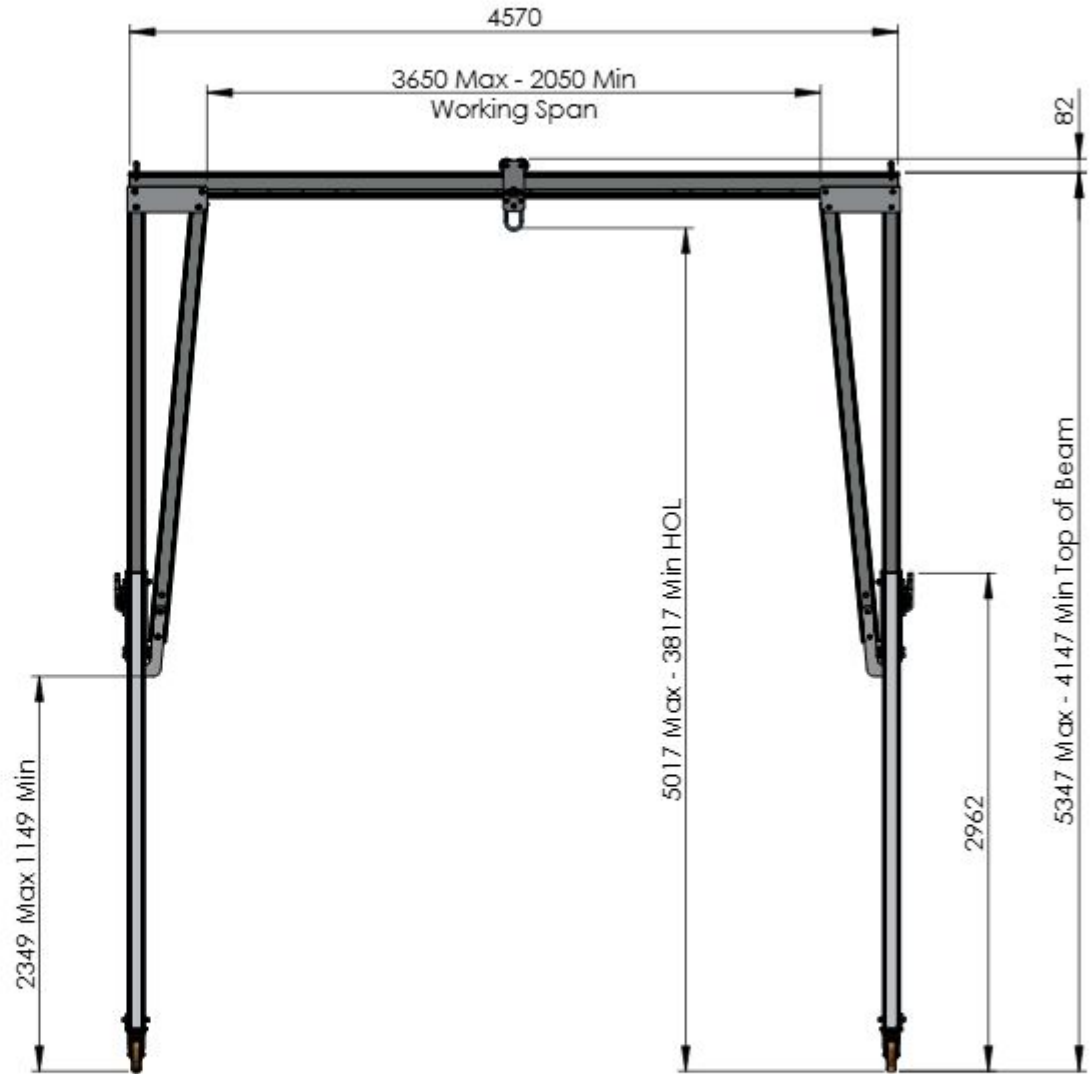
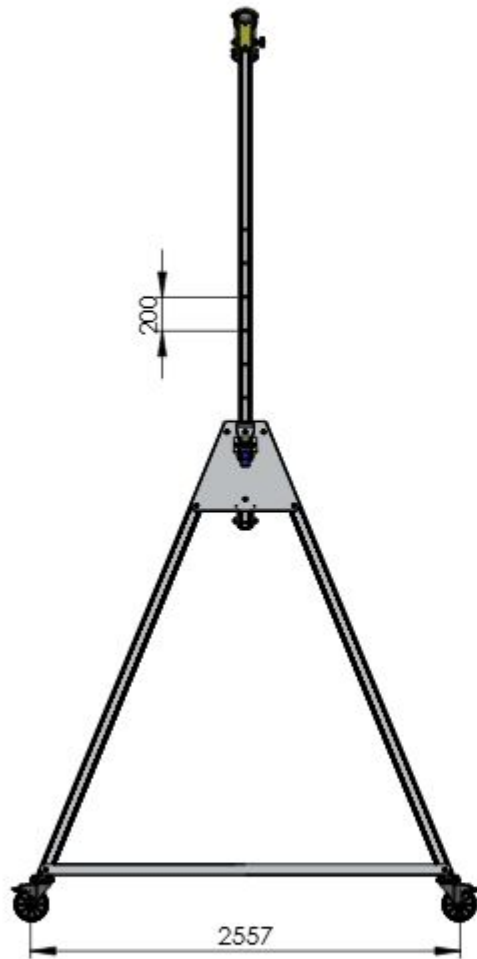
Estimated Weight: 219kg

1:45

SHEET 2 OF 2



To ensure the stability of the struture, the working span of the beam must be equal to or greater than the distance between castors on the A-frame



DO NOT SCALE DRAWING

REVISION **03**



Reid Lifting Limited. Unit 1
Wyeview, Newhouse Farm Ind. Est.,
Chepstow, Monmouthshire,
NP16 6UD, UK

Tel +44(0) 1291 620796
Fax +44(0) 1291 626490

www.reidlifting.com

enquiries@reidlifting.com

	NAME	DATE	FINISH:
DRAWN	BJ	28/10/2020	Anodised
CHK'D			MATERIAL:
APP'VD	CM	13/03/2023	Aluminium Alloy
<small>ALL COPYRIGHT AND DESIGN RIGHT SUBSISTING IN THIS DOCUMENT IS THE PROPERTY OF REID LIFTING LIMITED AND MAY NOT BE REPRODUCED WITHOUT REID LIFTING'S CONSENT. THIS DOCUMENT AND THE INFORMATION CONTAINED WITHIN IT IS CONFIDENTIAL AND MAY NOT BE DISCLOSED TO ANY THIRD PARTY NOR USED FOR ANY UNAUTHORISED PURPOSE WITHOUT REID LIFTING'S CONSENT</small>			
<small>UNLESS OTHERWISE SPECIFIED: DIMENSIONS ARE IN MILLIMETERS</small>			

TITLE: **General Arrangement of REID Lifting Porta-Gantry Size TC3 4570mm Beam WLL3000kg**

DWG NO. **PGSS03000TC3-4570B** A4

Estimated Weight: 225kg 1:45 SHEET 1 OF 2

General Specification

- Maximum rated capacity for goods lifting - 3000kg
- Maximum rated capacity for personnel lifting - 1500kg
- Beam deflection at maximum rated capacity of 3000kg - between 60-70 mm at centre of span
- Maximum castor surface pressure at full load - 68.55 MPa
- Assembled gantry weight (excluding trolleys) - 225kg
- All welding to BS EN ISO 15614-2: 2005 by certified welders.
- For further details and assembly information refer to Operations and Maintenance Manual for Porta Gantry Product. (available at www.reidlifting.com)

Fall Protection Standards

- Certified to EN795:2012 Type B & supplied under PPE Regulation 2016/425
- Notified Body Witness tested to the requirements of PD CEN/TS16415:2013 for 5 persons
- Exceeds the requirements of IRATA ICOP & BS7985 (15kN MBL)
- Tested to and meets the requirements of ANSI Z359.18.2017 for 3 persons.

Materials & Finishes

- Frame and beam - 6082 T6 Aluminium alloy. Anodised.
- Castors - Steel. Bright Zinc Plated.
- Castor Wheels & Rollers - Aluminium & Polyurethane
- Fixings - Steel. Grade 12.9. Bright Zinc Plated.

Note: Master Link Trolleys shown in system as a reference



Approved

DO NOT SCALE DRAWING

REVISION **03**



Reid Lifting Limited. Unit 1
Wyeview, Newhouse Farm Ind. Est.,
Chepstow, Monmouthshire.
NP16 6UD, UK

Tel +44(0)1291 620796
Fax: +44(0)1291 626490

www.reidlifting.com

enquiries@reidlifting.com

	NAME	DATE
DRAWN	BJ	28/10/2020
CHK'D		
APP'VD	CM	13/03/2023

UNLESS OTHERWISE SPECIFIED:
DIMENSIONS ARE IN MILLIMETERS

ALL COPYRIGHT AND DESIGN RIGHT SUBSISTING IN THIS DOCUMENT IS THE PROPERTY OF REID LIFTING LIMITED AND MAY NOT BE REPRODUCED WITHOUT REID LIFTING'S CONSENT. THIS DOCUMENT AND THE INFORMATION CONTAINED WITHIN IT IS CONFIDENTIAL AND MAY NOT BE DISCLOSED TO ANY THIRD PARTY NOR USED FOR ANY UNAUTHORIZED PURPOSE WITHOUT REID LIFTING'S CONSENT



TITLE: **General Arrangement of REID Lifting Porta-Gantry Size TC3 4570mm Beam WLL3000kg**

DWG NO.

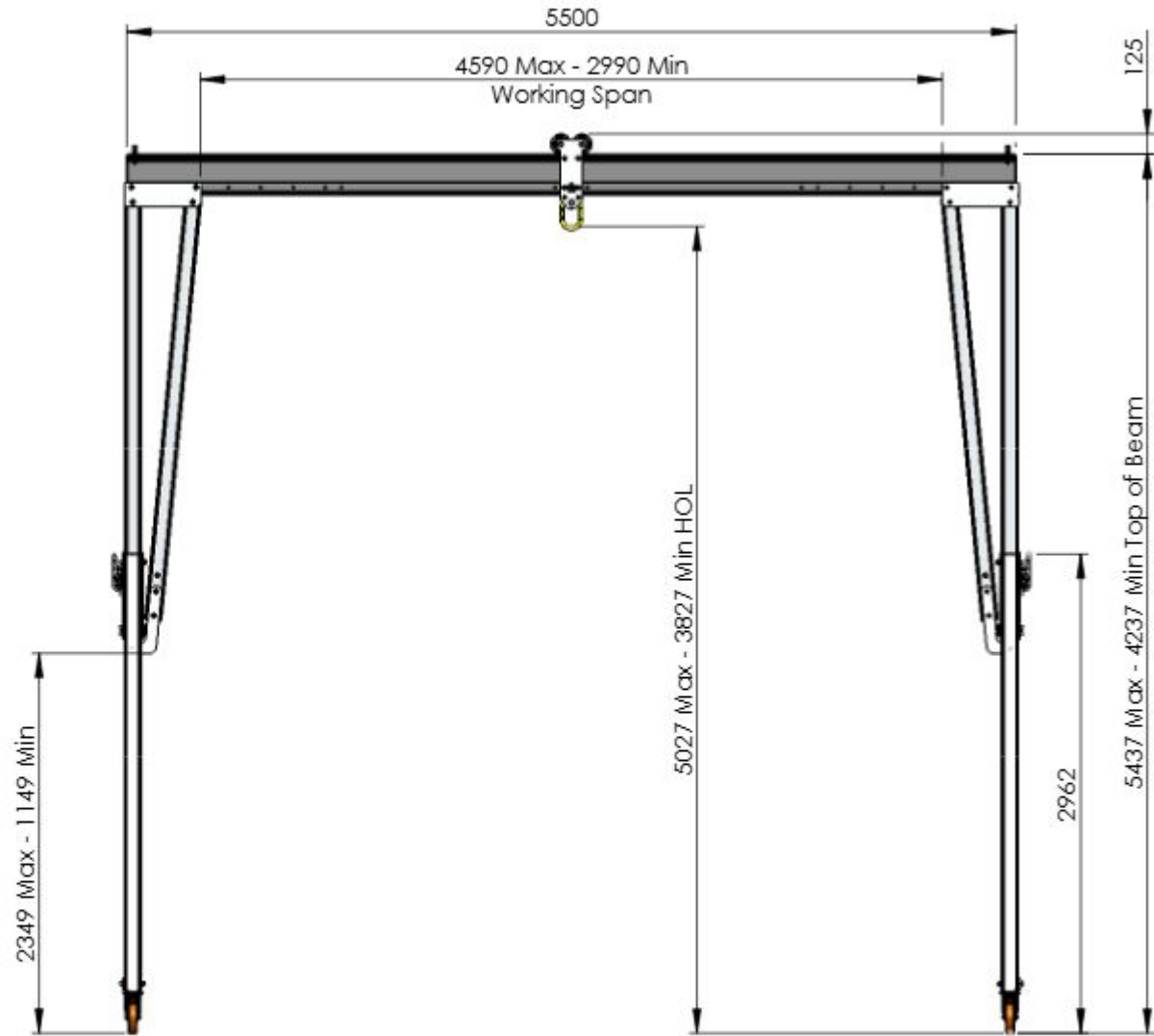
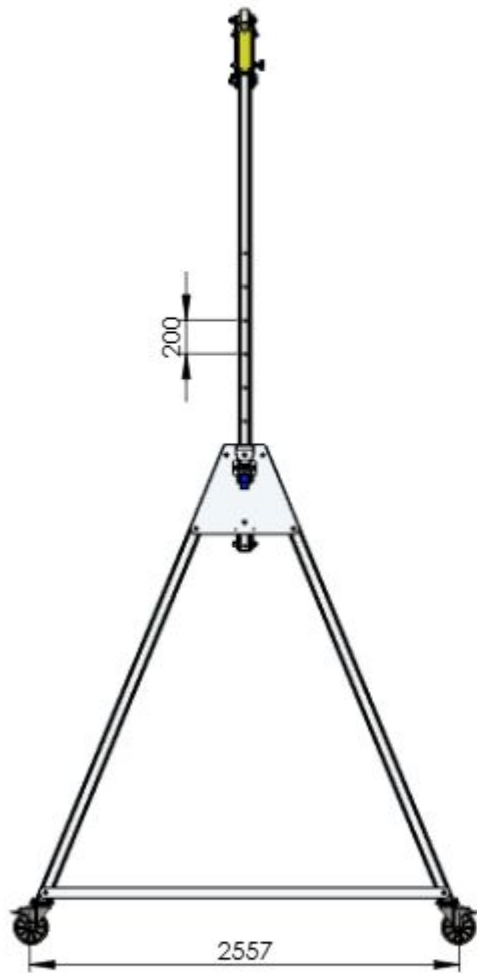
PGSS03000TC3-4570B

A4

Estimated Weight: 225kg

1:45

SHEET 2 OF 2



DO NOT SCALE DRAWING

REVISION

01



Reid Lifting Limited. Unit 1
Wyeview, Newhouse Farm Ind. Est.,
Chepstow, Monmouthshire.
NP16 6UD, UK

Tel +44(0) 1291 620796
Fax +44(0) 1291 626490

www.reidlifting.com

enquiries@reidlifting.com

	NAME	DATE	FINISH:
DRAWN	SS	09/06/2021	Anodised
CHK'D			MATERIAL:
APP'VD	AB	17/02/2022	Aluminium Alloy
<small>ALL COPYRIGHT AND DESIGN RIGHT SUBSISTING IN THIS DOCUMENT IS THE PROPERTY OF REID LIFTING LIMITED AND MAY NOT BE REPRODUCED WITHOUT REID LIFTING'S CONSENT. THIS DOCUMENT AND THE INFORMATION CONTAINED WITHIN IT IS CONFIDENTIAL AND MAY NOT BE DISCLOSED TO ANY THIRD PARTY NOR USED FOR ANY UNAUTHORISED PURPOSE WITHOUT REID LIFTING'S CONSENT</small>			
<small>UNLESS OTHERWISE SPECIFIED: DIMENSIONS ARE IN MILLIMETERS</small>			

TITLE:

**General Arrangement of REID
Lifting Porta-Gantry Size TC3
5500mm Beam WLL3000kg**

DWG NO.

PGSS03000TC3-5500D

A4

Estimated Weight: 267kg

1:45

SHEET 1 OF 2

General Specification

- Maximum rated capacity for goods lifting - 3000kg
- Maximum rated capacity for personnel lifting - 2000kg
- Beam deflection at maximum rated capacity of 3000kg - between 30-40mm at centre of span
- Maximum castor surface pressure at full load - 69.10 MPa
- Assembled gantry weight (excluding trolleys) - 267kg
- All welding to BS EN ISO 15614-2: 2005 by certified welders.
- For further details and assembly information refer to Operations and Maintenance Manual for Porta Gantry Product. (available at www.reidlifting.com)

Fall Protection Standards

- Certified to EN795:2012 Type B & supplied under PPE Regulation 2016/425
- Notified Body Witness tested to the requirements of PD CEN/TS16415:2013 for 5 persons
- Exceeds the requirements of IRATA ICOP & BS7985 (15kN MBL)
- Tested to and meets the requirements of ANSI Z359.18.2017 for 3 persons.

Materials & Finishes

- Frame and beam - 6082 T6 Aluminium alloy. Anodised.
- Castors - Steel. Bright Zinc Plated.
- Castor Wheels & Rollers - Aluminium & Polyurethane
- Fixings - Steel. Grade 12.9. Bright Zinc Plated.

Note: Master Link Trolleys shown in system as a reference



Approved

DO NOT SCALE DRAWING

REVISION

01



Reid Lifting Limited. Unit 1
Wyeview, Newhouse Farm Ind. Est.,
Chepstow, Monmouthshire.
NP16 6UD, UK

Tel +44(0)1291 620796
Fax: +44(0)1291 626490

www.reidlifting.com

enquiries@reidlifting.com

	NAME	DATE
DRAWN	SS	09/06/2021
CHK'D		
APPROV'D	AB	17/02/2022

UNLESS OTHERWISE SPECIFIED:
DIMENSIONS ARE IN MILLIMETERS

ALL COPYRIGHT AND DESIGN RIGHT SUBSISTING IN THIS DOCUMENT IS THE PROPERTY OF REID LIFTING LIMITED AND MAY NOT BE REPRODUCED WITHOUT REID LIFTING'S CONSENT. THIS DOCUMENT AND THE INFORMATION CONTAINED WITHIN IT IS CONFIDENTIAL AND MAY NOT BE DISCLOSED TO ANY THIRD PARTY NOR USED FOR ANY UNAUTHORIZED PURPOSE WITHOUT REID LIFTING'S CONSENT



TITLE:

**General Arrangement of REID
Lifting Porta-Gantry Size TC3
5500mm Beam WLL3000kg**

DWG NO.

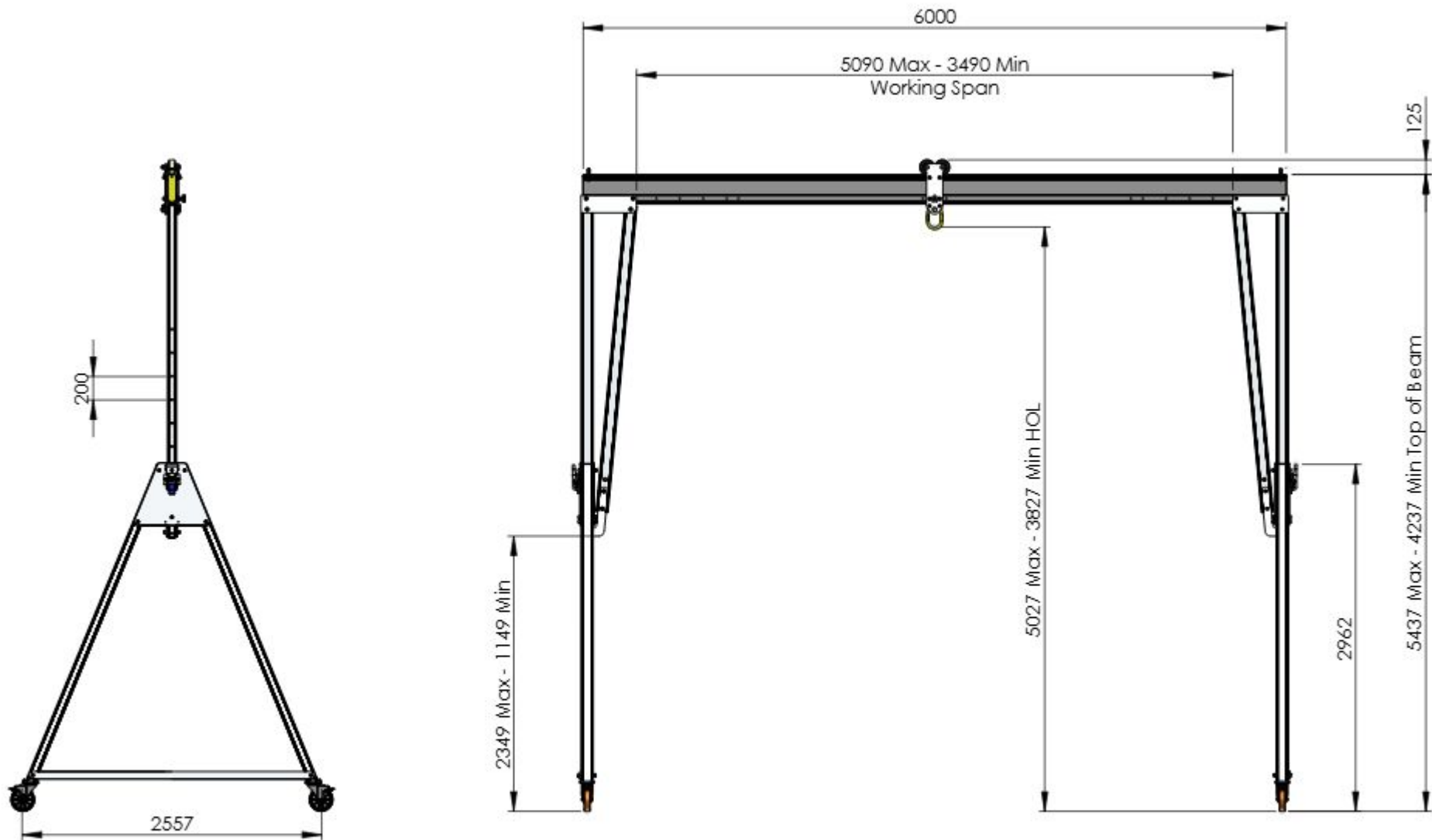
PGSS03000TC3-5500D

A4

Estimated Weight: 267kg

1:50

SHEET 2 OF 2



DO NOT SCALE DRAWING

REVISION **02**



Reid Lifting Limited. Unit 1
Wyeview, Newhouse Farm Ind. Est.,
Chepstow, Monmouthshire.
NP16 6UD, UK

Tel +44(0) 1291 620796
Fax +44(0) 1291 626490

www.reidlifting.com

enquiries@reidlifting.com

	NAME	DATE	FINISH:
DRAWN	BJ	15/02/2021	Anodised
CHK'D			MATERIAL:
APP'VD	AB	17/02/2022	Aluminium Alloy
<small>ALL COPYRIGHT AND DESIGN RIGHT SUBSISTING IN THIS DOCUMENT IS THE PROPERTY OF REID LIFTING LIMITED AND MAY NOT BE REPRODUCED WITHOUT REID LIFTING'S CONSENT. THIS DOCUMENT AND THE INFORMATION CONTAINED WITHIN IT IS CONFIDENTIAL AND MAY NOT BE DISCLOSED TO ANY THIRD PARTY NOR USED FOR ANY UNAUTHORISED PURPOSE WITHOUT REID LIFTING'S CONSENT</small>			
<small>UNLESS OTHERWISE SPECIFIED: DIMENSIONS ARE IN MILLIMETERS</small>			

TITLE: **General Arrangement of REID Lifting Porta-Gantry Size TC3 6000mm Beam WLL 3000kg**

DWG NO. **PGSS03000TC3-6000D** A4

Estimated Weight: 275kg 1:50 SHEET 1 OF 2

General Specification

- Maximum rated capacity for goods lifting - 3000kg
- Maximum rated capacity for personnel lifting - 1500kg
- Beam deflection at maximum rated capacity of 3000kg - between 40-50 mm at centre of span
- Maximum castor surface pressure at full load - 69.18 MPa
- Assembled gantry weight (excluding trolleys) - 275kg
- All welding to BS EN ISO 15614-2: 2005 by certified welders.
- For further details and assembly information refer to Operations and Maintenance Manual for Porta Gantry Product. (available at www.reidlifting.com)

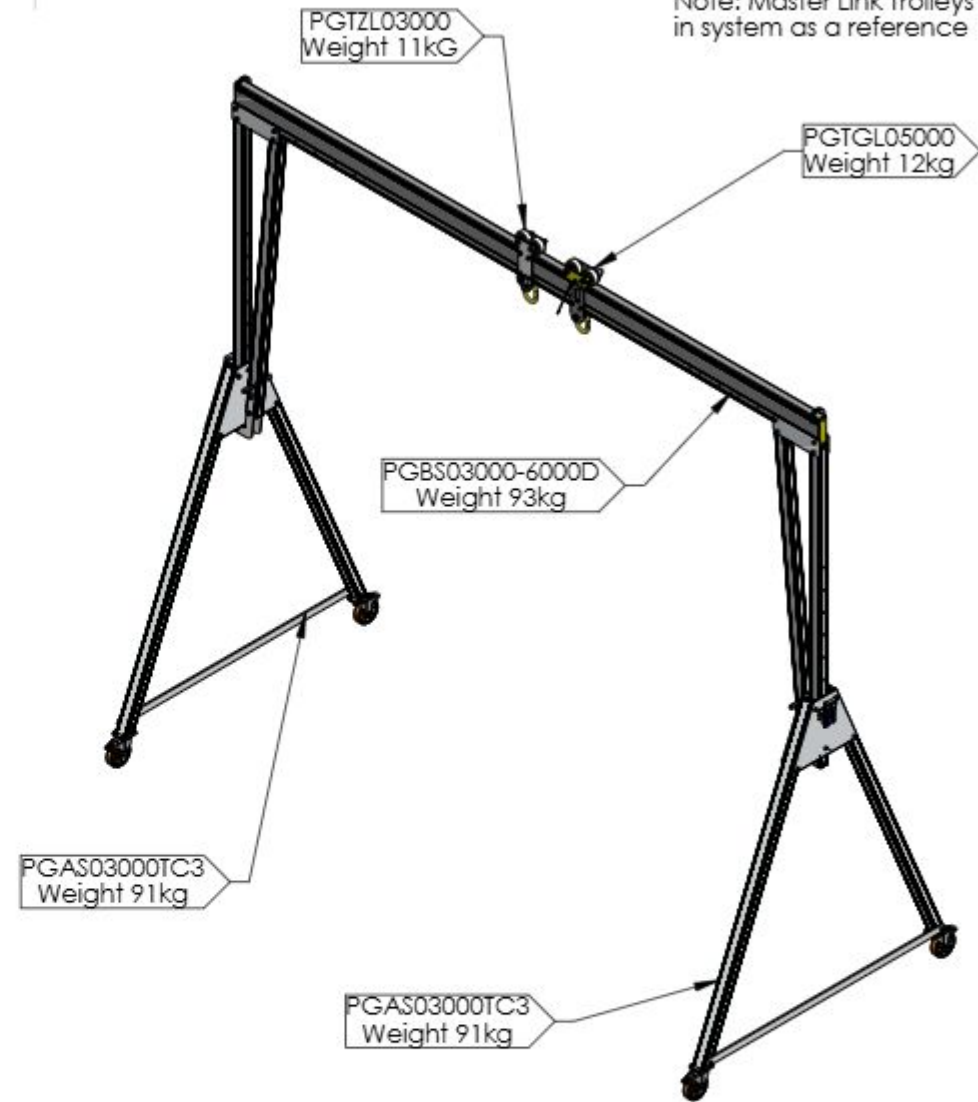
Fall Protection Standards

- Certified to EN795:2012 Type B & supplied under PPE Regulation 2016/425
- Notified Body Witness tested to the requirements of PD CEN/TS16415:2013 for 5 persons
- Exceeds the requirements of IRATA ICOP & BS7985 (15kN MBL)
- Tested to and meets the requirements of ANSI Z359.18.2017 for 3 persons.

Materials & Finishes

- Frame and beam - 6082 T6 Aluminium alloy. Anodised.
- Castors - Steel. Bright Zinc Plated.
- Castor Wheels & Rollers - Aluminium & Polyurethane
- Fixings - Steel. Grade 12:9. Bright Zinc Plated.

Note: Master Link Trolleys shown in system as a reference



Approved

DO NOT SCALE DRAWING

REVISION **02**



Reid Lifting Limited. Unit 1
Wyeview, Newhouse Farm Ind. Est.,
Chepstow, Monmouthshire.
NP16 6UD, UK

Tel +44(0)1291 620796
Fax: +44(0)1291 626490

www.reidlifting.com

enquiries@reidlifting.com

	NAME	DATE
DRAWN	BJ	15/02/2021
CHK'D		
APPR'D	AB	17/02/2022

UNLESS OTHERWISE SPECIFIED:
DIMENSIONS ARE IN MILLIMETERS

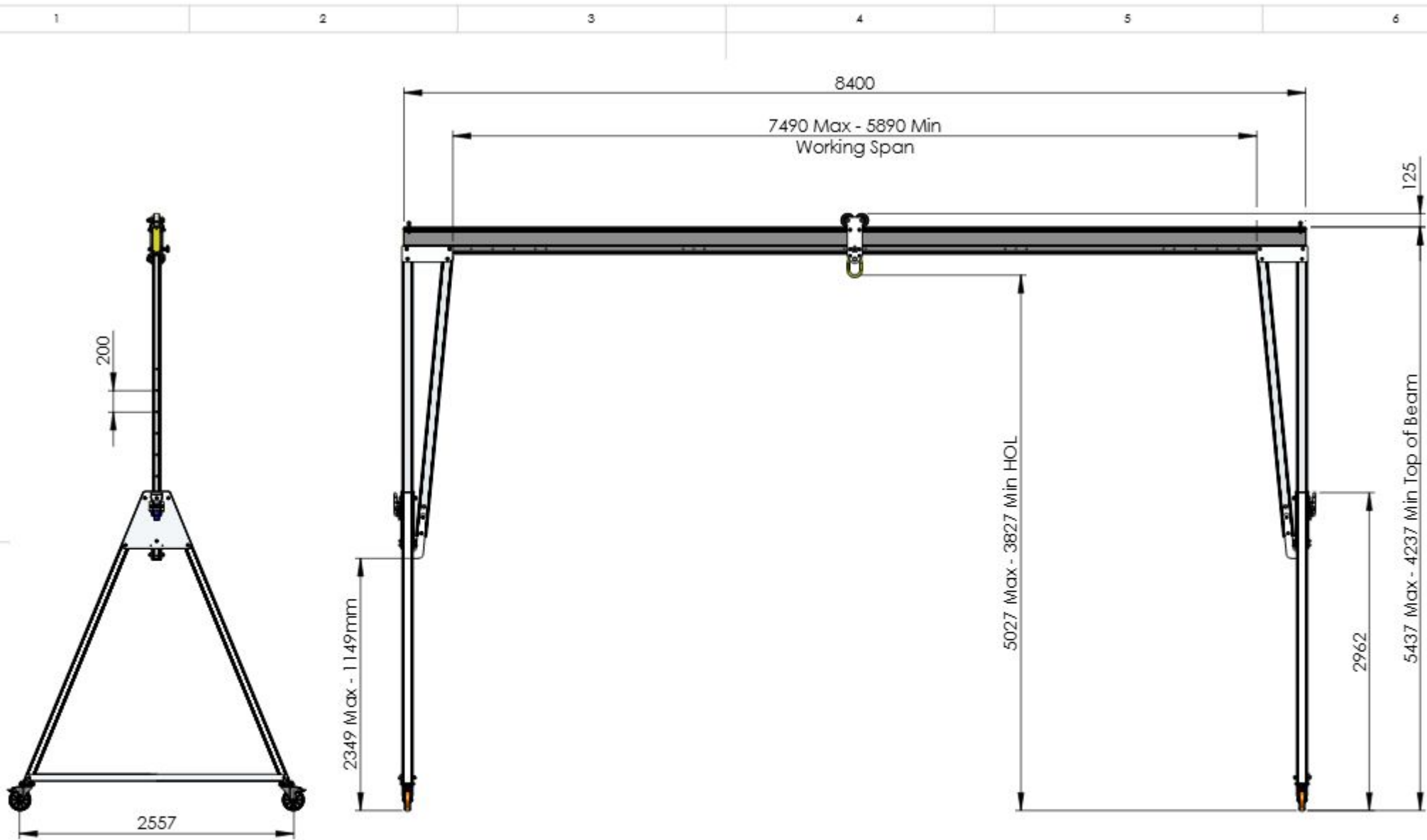
ALL COPYRIGHT AND DESIGN RIGHT SUBSISTING IN THIS DOCUMENT IS THE PROPERTY OF REID LIFTING LIMITED AND MAY NOT BE REPRODUCED WITHOUT REID LIFTING'S CONSENT. THIS DOCUMENT AND THE INFORMATION CONTAINED WITHIN IT IS CONFIDENTIAL AND MAY NOT BE DISCLOSED TO ANY THIRD PARTY NOR USED FOR ANY UNAUTHORISED PURPOSE WITHOUT REID LIFTING'S CONSENT



TITLE: **General Arrangement of REID Lifting Porta-Gantry Size TC3 6000mm Beam WLL 3000kg**

DWG NO. **PGSS03000TC3-6000D** A4

Estimated Weight: 275kg 1:55 SHEET 2 OF 2



DO NOT SCALE DRAWING

REVISION **02**



Reid Lifting Limited. Unit 1
Wyeview, Newhouse Farm Ind. Est.,
Chepstow, Monmouthshire.
NP16 6UD, UK

Tel +44(0) 1291 620796
Fax +44(0) 1291 626490

www.reidlifting.com

enquiries@reidlifting.com

	NAME	DATE	FINISH:
DRAWN	BJ	12/02/2021	Anodised
CHK'D			MATERIAL:
APP'VD	AB	17/02/2022	Aluminium Alloy
<small>ALL COPYRIGHT AND DESIGN RIGHT SUBSISTING IN THIS DOCUMENT IS THE PROPERTY OF REID LIFTING LIMITED AND MAY NOT BE REPRODUCED WITHOUT REID LIFTING'S CONSENT. THIS DOCUMENT AND THE INFORMATION CONTAINED WITHIN IT IS CONFIDENTIAL AND MAY NOT BE DISCLOSED TO ANY THIRD PARTY NOR USED FOR ANY UNAUTHORISED PURPOSE WITHOUT REID LIFTING'S CONSENT</small>			
<small>UNLESS OTHERWISE SPECIFIED: DIMENSIONS ARE IN MILLIMETERS</small>			



TITLE: **General Arrangement of REID Lifting Porta-Gantry Size TC3 8400mm Beam WLL 3000kg**

DWG NO. **PGSS03000TC3-8400D**

A4

Estimated Weight: 312kg

1:50

SHEET 1 OF 2

General Specification

- Maximum rated capacity for goods lifting - 3000kg
- Maximum rated capacity for personnel lifting - 1500kg
- Beam deflection at maximum rated capacity of 3000kg - between 100-110 mm at centre of span
- Maximum castor surface pressure at full load - 69.59 MPa
- Assembled gantry weight (excluding trollies) - 312kg
- All welding to BS EN ISO 15614-2: 2005 by certified welders.
- For further details and assembly information refer to Operations and Maintenance Manual for Porta Gantry Product. (available at www.reidlifting.com)

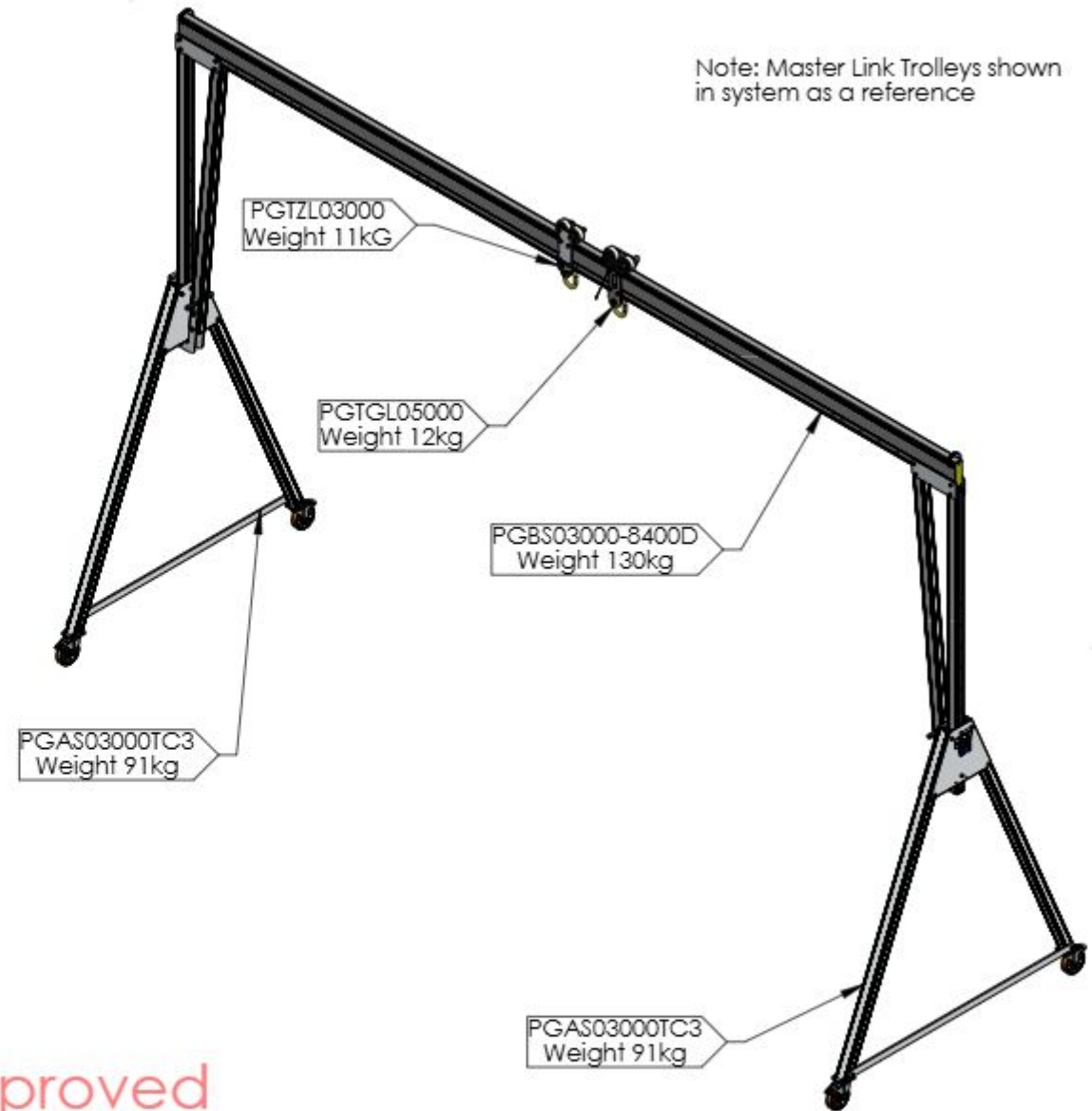
Fall Protection Standards

- Certified to EN795:2012 Type B & supplied under PPE Regulation 2016/425
- Notified Body Witness tested to the requirements of PD CEN/TS16415:2013 for 5 persons
- Exceeds the requirements of IRATA ICOP & BS7985 (15kN MBL)
- Tested to and meets the requirements of ANSI Z359.18.2017 for 3 persons.

Materials & Finishes

- Frame and beam - 6082 T6 Aluminium alloy. Anodised.
- Castors - Steel. Bright Zinc Plated.
- Castor Wheels & Rollers - Aluminium & Polyurethane
- Fixings - Steel. Grade 12.9. Bright Zinc Plated.

Note: Master Link Trollies shown in system as a reference



Approved

DO NOT SCALE DRAWING

REVISION **02**



Reid Lifting Limited. Unit 1
Wyeview, Newhouse Farm Ind. Est.,
Chepstow, Monmouthshire.
NP16 6UD, UK

Tel +44(0)1291 620796
Fax: +44(0)1291 626490

www.reidlifting.com

enquiries@reidlifting.com

	NAME	DATE
DRAWN	BJ	12/02/2021
CHK'D		
APPR'D	AB	17/02/2022

UNLESS OTHERWISE SPECIFIED:
DIMENSIONS ARE IN MILLIMETERS

ALL COPYRIGHT AND DESIGN RIGHT SUBSISTING IN THIS DOCUMENT IS THE PROPERTY OF REID LIFTING LIMITED AND MAY NOT BE REPRODUCED WITHOUT REID LIFTING'S CONSENT. THIS DOCUMENT AND THE INFORMATION CONTAINED WITHIN IT IS CONFIDENTIAL AND MAY NOT BE DISCLOSED TO ANY THIRD PARTY NOR USED FOR ANY UNAUTHORIZED PURPOSE WITHOUT REID LIFTING'S CONSENT



TITLE:

General Arrangement of REID Lifting Porta-Gantry Size TC3 8400mm Beam WLL 3000kg

DWG NO.

PGSS03000TC3-8400D

A4

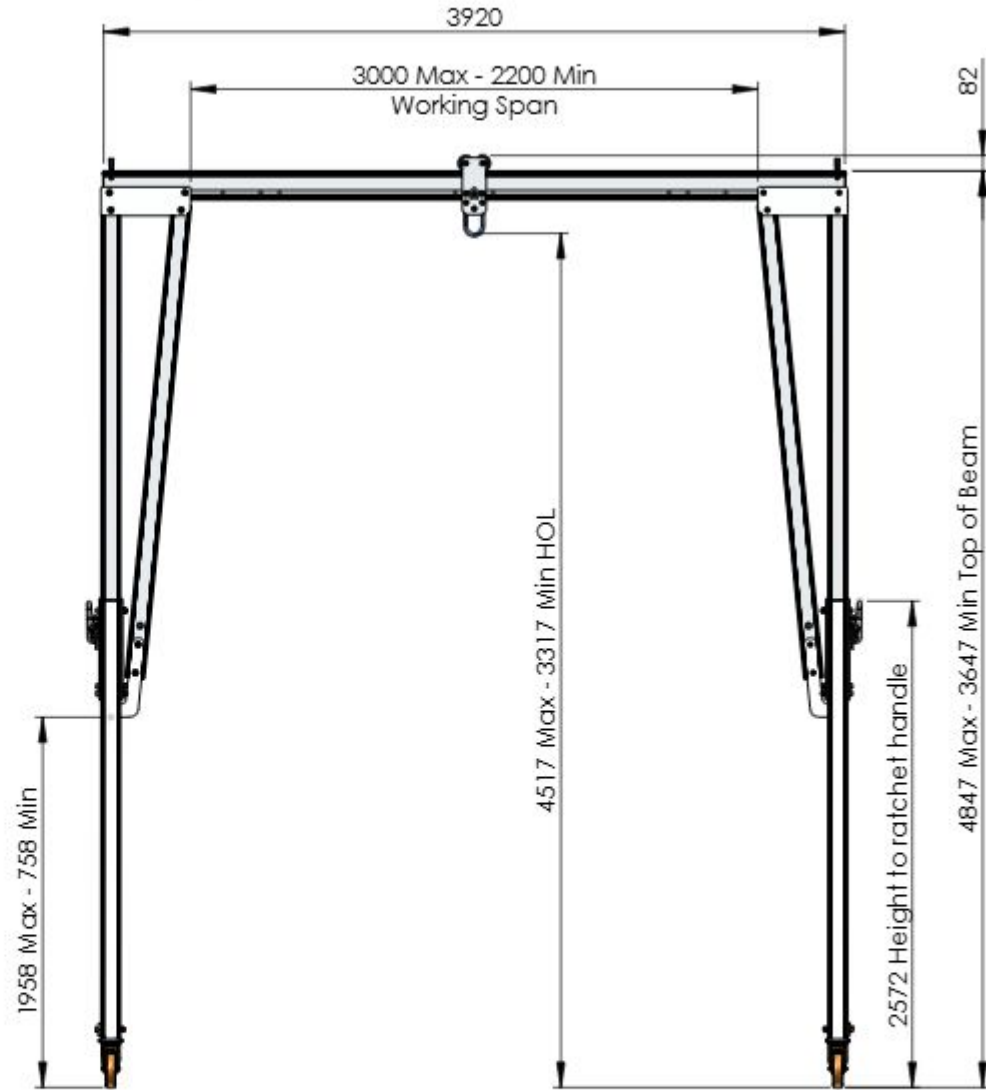
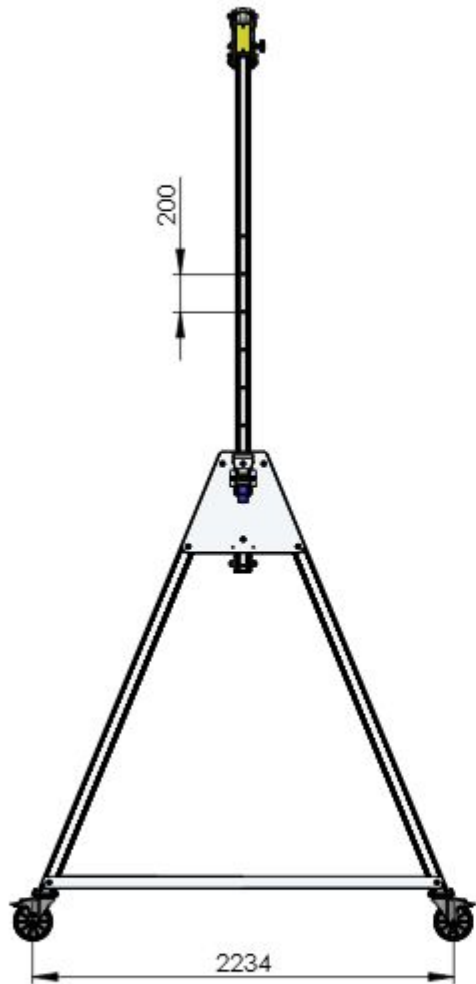
Estimated Weight: 312kg

1:55

SHEET 2 OF 2



To ensure the stability of the struture, the working span of the beam must be equal to or greater than the distance between castors on the A-frame



DO NOT SCALE DRAWING

REVISION **02**



Reid Lifting Limited. Unit 1
Wyeview, Newhouse Farm Ind. Est.,
Chepstow, Monmouthshire.
NP16 6UD, UK

Tel +44(0) 1291 620796
Fax +44(0) 1291 626490

www.reidlifting.com

enquiries@reidlifting.com

	NAME	DATE	FINISH:
DRAWN	TB	02/06/2021	Anodised
CHK'D			MATERIAL:
APPR'D	CM	13/03/2023	Aluminium Alloy
<small>ALL COPYRIGHT AND DESIGN RIGHT SUBSISTING IN THIS DOCUMENT IS THE PROPERTY OF REID LIFTING LIMITED AND MAY NOT BE REPRODUCED WITHOUT REID LIFTING'S CONSENT. THIS DOCUMENT AND THE INFORMATION CONTAINED WITHIN IT IS CONFIDENTIAL AND MAY NOT BE DISCLOSED TO ANY THIRD PARTY NOR USED FOR ANY UNAUTHORISED PURPOSE WITHOUT REID LIFTING'S CONSENT</small>			
<small>UNLESS OTHERWISE SPECIFIED: DIMENSIONS ARE IN MILLIMETERS</small>			



TITLE: **General Arrangement of REID Lifting Porta-Gantry Size TC4 - 3920mm Beam WLL3000kg**

DWG NO. **PGSS03000TC4-3920B**

A4

Estimated Weight: 209 kg

1:40

SHEET 1 OF 2

General Specification

- Maximum rated capacity for goods lifting - 3000kg
- Maximum rated capacity for personnel lifting - 1500kg
- Beam deflection at maximum rated capacity of 3000kg - 35-45 mm at centre of span
- Maximum castor surface pressure at full load - 68.37 MPa
- Assembled gantry weight (excluding trollies) - 209kg
- All welding to BS EN ISO 15614-2: 2005 by certified welders.
- For further details and assembly information refer to Operations and Maintenance Manual for Porta Gantry Product. (available at www.reidlifting.com)

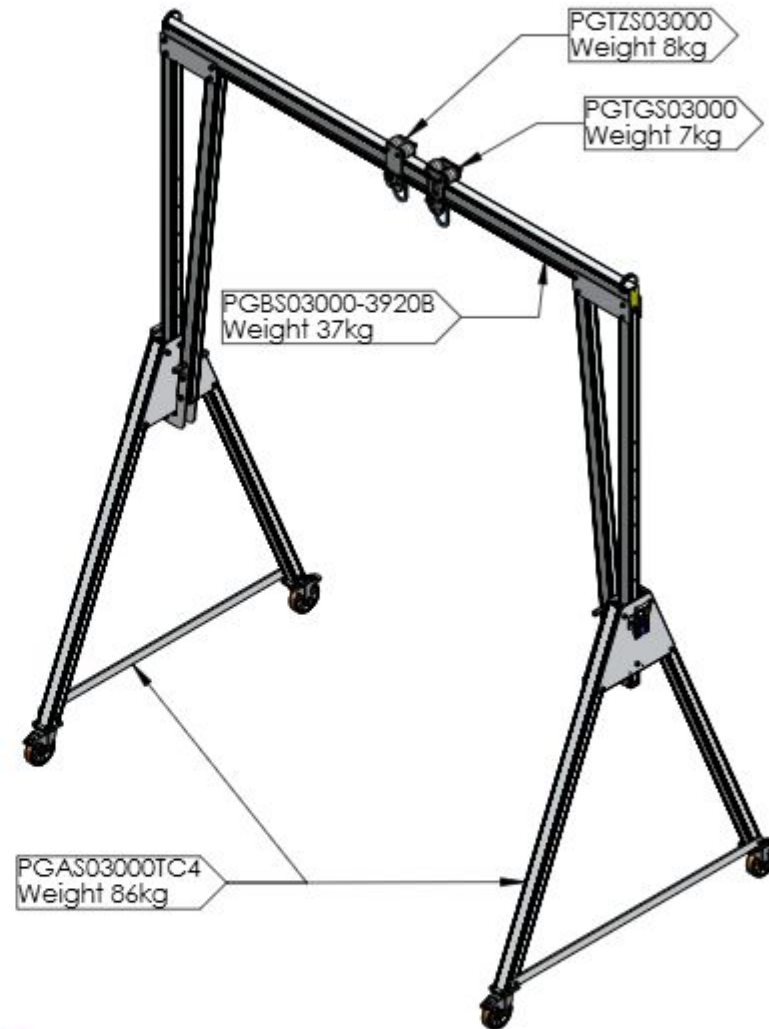
Fall Protection Standards

- Certified to EN795:2012 Type B & supplied under PPE Regulation 2016/425
- Notified Body Witness tested to the requirements of PD CEN/TS16415:2013 for 5 persons
- Exceeds the requirements of IRATA ICOP & BS7985 (15kN MBL)
- Tested to and meets the requirements of ANSI Z359.18.2017 for 3 persons.

Materials & Finishes

- Frame and beam - 6082 T6 Aluminium alloy. Anodised.
- Castors - Steel. Bright Zinc Plated.
- Castor Wheels & Rollers - Aluminium & Polyurethane
- Fixings - Steel. Grade 12.9. Bright Zinc Plated.

Note: Master Link Trolleys shown in system as a reference



Approved

DO NOT SCALE DRAWING

REVISION **02**



Reid Lifting Limited. Unit 1
Wyeview, Newhouse Farm Ind. Est.,
Chepstow, Monmouthshire.
NP16 6UD, UK

Tel +44(0)1291 620796
Fax: +44(0)1291 626490

www.reidlifting.com

enquiries@reidlifting.com

	NAME	DATE
DRAWN	TB	02/06/2021
CHK'D		
APP'VD	CM	13/03/2023

UNLESS OTHERWISE SPECIFIED:
DIMENSIONS ARE IN MILLIMETERS

ALL COPYRIGHT AND DESIGN RIGHT SUBSISTING IN THIS DOCUMENT IS THE PROPERTY OF REID LIFTING LIMITED AND MAY NOT BE REPRODUCED WITHOUT REID LIFTING'S CONSENT. THIS DOCUMENT AND THE INFORMATION CONTAINED WITHIN IT IS CONFIDENTIAL AND MAY NOT BE DISCLOSED TO ANY THIRD PARTY NOR USED FOR ANY UNAUTHORIZED PURPOSE WITHOUT REID LIFTING'S CONSENT



TITLE: **General Arrangement of REID Lifting Porta-Gantry Size TC4 - 3920mm Beam WLL3000kg**

DWG NO. **PGSS03000TC4-3920B**

A4

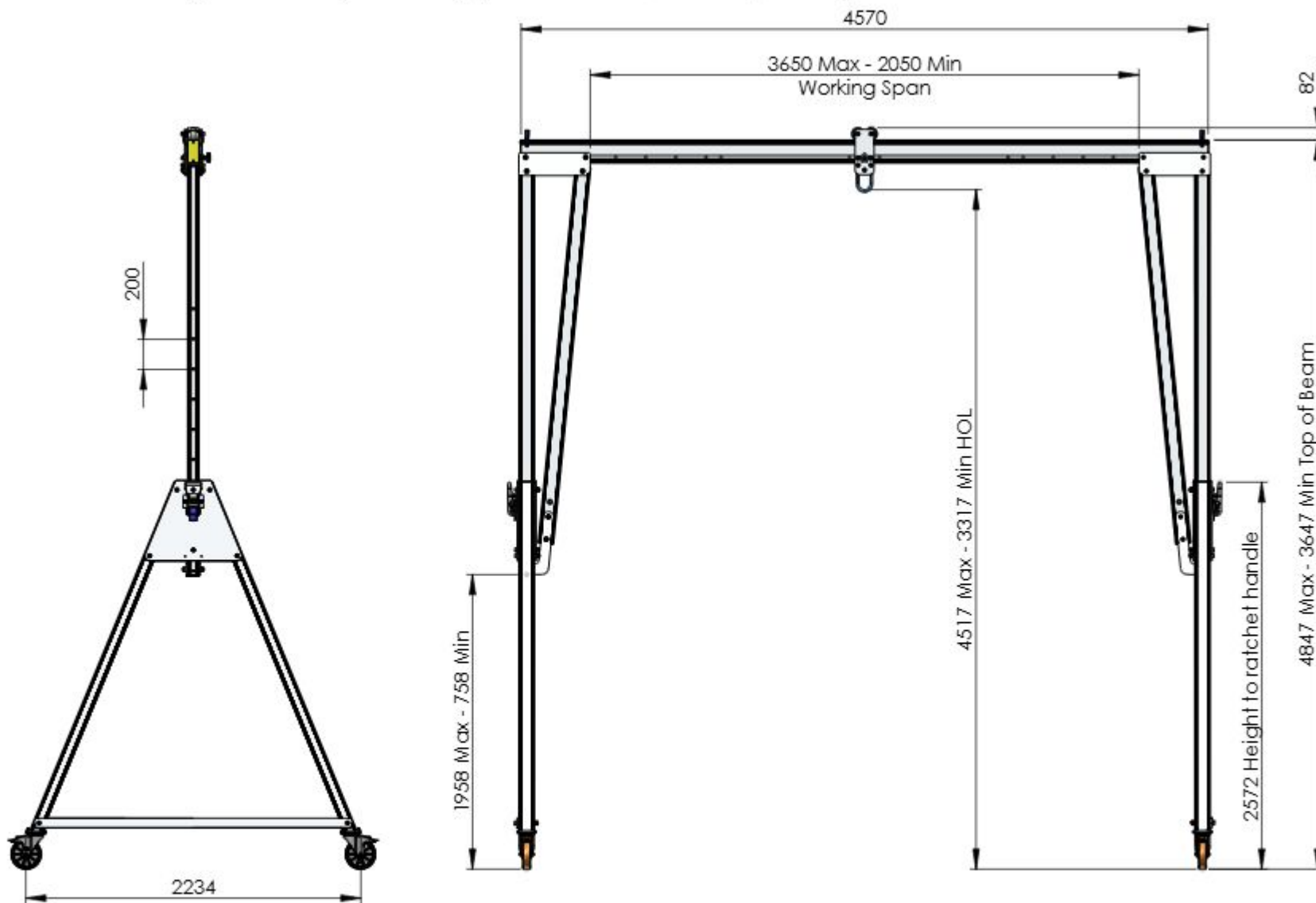
Estimated Weight: 209 kg

1:45

SHEET 2 OF 2



To ensure the stability of the struture, the working span of the beam must be equal to or greater than the distance between castors on the A-frame



DO NOT SCALE DRAWING

REVISION **02**



Reid Lifting Limited. Unit 1
Wyeview, Newhouse Farm Ind. Est.,
Chepstow, Monmouthshire.
NP16 6UD, UK

Tel +44(0) 1291 620796
Fax +44(0) 1291 626490

www.reidlifting.com

enquiries@reidlifting.com

	NAME	DATE	FINISH:
DRAWN	TB	09/06/2021	Anodised
CHK'D			MATERIAL:
APPR'D	CM	13/03/2023	Aluminium Alloy

ALL COPYRIGHT AND DESIGN RIGHT SUBSISTING IN THIS DOCUMENT IS THE PROPERTY OF REID LIFTING LIMITED AND MAY NOT BE REPRODUCED WITHOUT REID LIFTING'S CONSENT. THIS DOCUMENT AND THE INFORMATION CONTAINED WITHIN IT IS CONFIDENTIAL AND MAY NOT BE DISCLOSED TO ANY THIRD PARTY NOR USED FOR ANY UNAUTHORISED PURPOSE WITHOUT REID LIFTING'S CONSENT

UNLESS OTHERWISE SPECIFIED:
DIMENSIONS ARE IN MILLIMETERS

TITLE: **General Arrangement of REID Lifting Porta-Gantry Size TC4 - 4570mm Beam WLL3000kg**

DWG NO.

PGSS03000TC4-4570B

A4

Estimated Weight: 215 kg

1:40

SHEET 1 OF 2

General Specification

- Maximum rated capacity for goods lifting - 3000kg
- Maximum rated capacity for personnel lifting - 1500kg
- Beam deflection at maximum rated capacity of 3000kg - 60-70 mm at centre of span
- Maximum castor surface pressure at full load - 68.44 MPa
- Assembled gantry weight (excluding trolleys) - 215kg
- All welding to BS EN ISO 15614-2: 2005 by certified welders.
- For further details and assembly information refer to Operations and Maintenance Manual for Porta Gantry Product. (available at www.reidlifting.com)

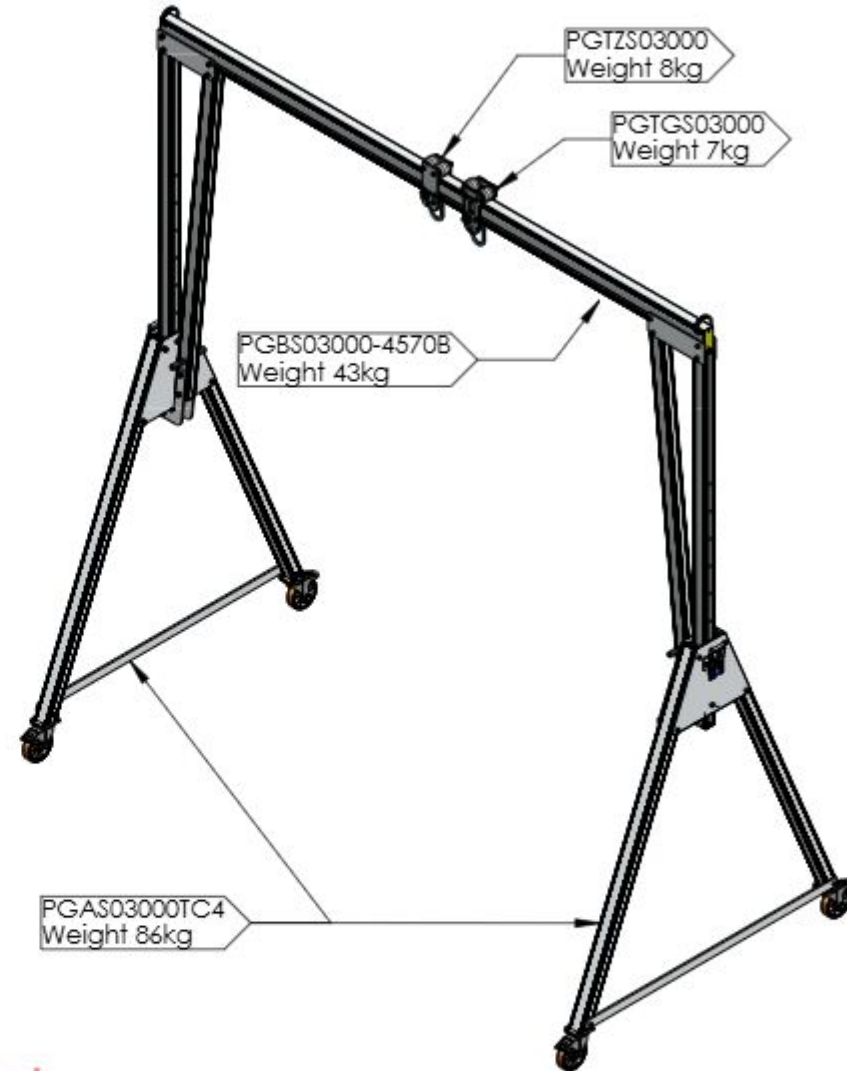
Fall Protection Standards

- Certified to EN795:2012 Type B & supplied under PPE Regulation 2016/425
- Notified Body Witness tested to the requirements of PD CEN/TS16415:2013 for 5 persons
- Exceeds the requirements of IRATA ICOP & BS7985 (15kN MBL)
- Tested to and meets the requirements of ANSI Z359.18.2017 for 3 persons.

Materials & Finishes

- Frame and beam - 6082 T6 Aluminium alloy. Anodised.
- Castors - Steel. Bright Zinc Plated.
- Castor Wheels & Rollers - Aluminium & Polyurethane
- Fixings - Steel. Grade 12.9. Bright Zinc Plated.

Note: Master Link Trolleys shown in system as a reference



Approved

DO NOT SCALE DRAWING

REVISION **02**



Reid Lifting Limited. Unit 1
Wyeview, Newhouse Farm Ind. Est.,
Chepstow, Monmouthshire.
NP16 6UD, UK

Tel +44(0)1291 620796
Fax: +44(0)1291 626490

www.reidlifting.com

enquiries@reidlifting.com

	NAME	DATE
DRAWN	TB	09/06/2021
CHK'D		
APPR'D	CM	13/03/2023

UNLESS OTHERWISE SPECIFIED:
DIMENSIONS ARE IN MILLIMETERS

ALL COPYRIGHT AND DESIGN RIGHT SUBSISTING IN THIS DOCUMENT IS THE PROPERTY OF REID LIFTING LIMITED AND MAY NOT BE REPRODUCED WITHOUT REID LIFTING'S CONSENT. THIS DOCUMENT AND THE INFORMATION CONTAINED WITHIN IT IS CONFIDENTIAL AND MAY NOT BE DISCLOSED TO ANY THIRD PARTY NOR USED FOR ANY UNAUTHORISED PURPOSE WITHOUT REID LIFTING'S CONSENT



TITLE: **General Arrangement of REID Lifting Porta-Gantry Size TC4 - 4570mm Beam WLL3000kg**

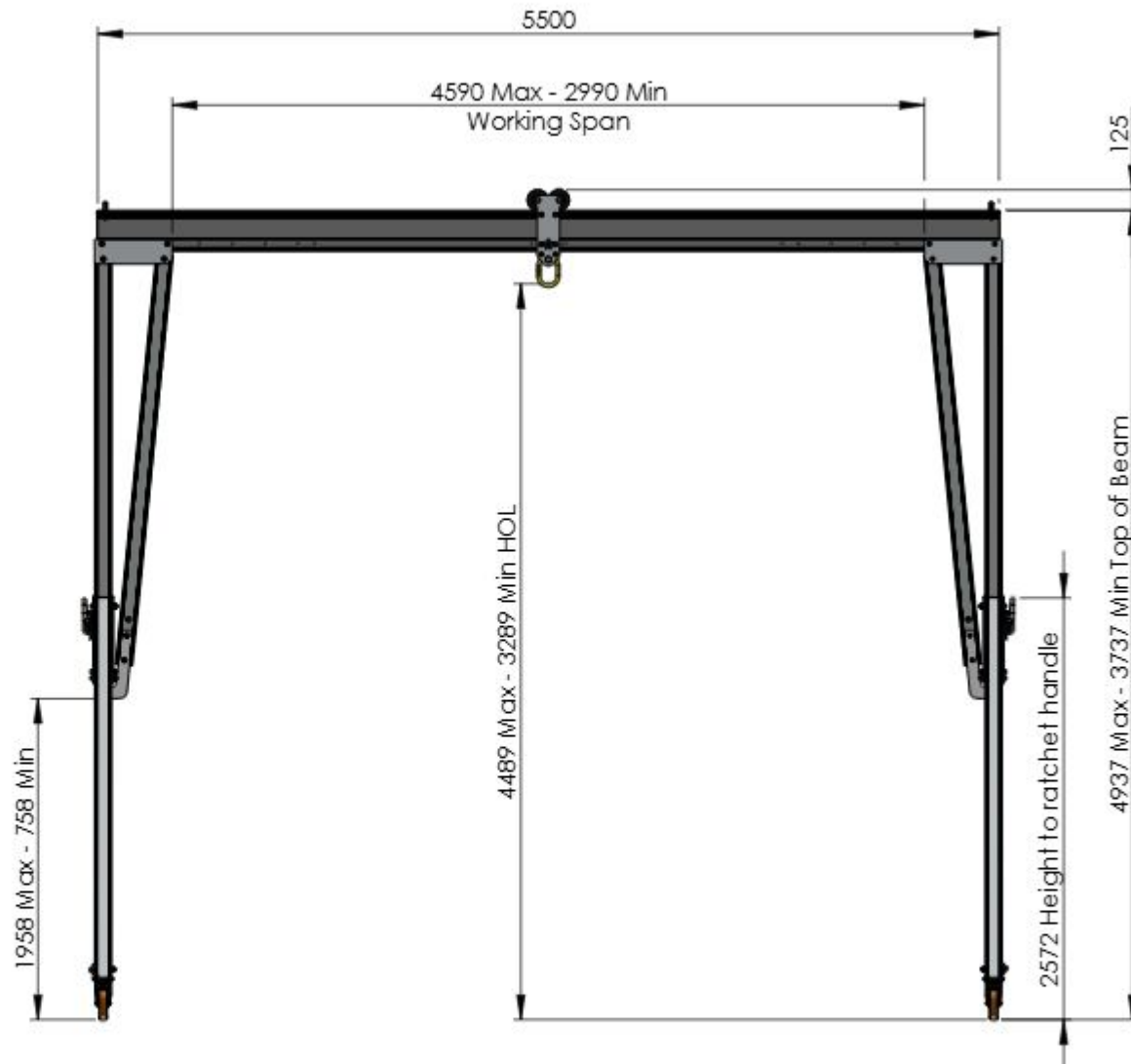
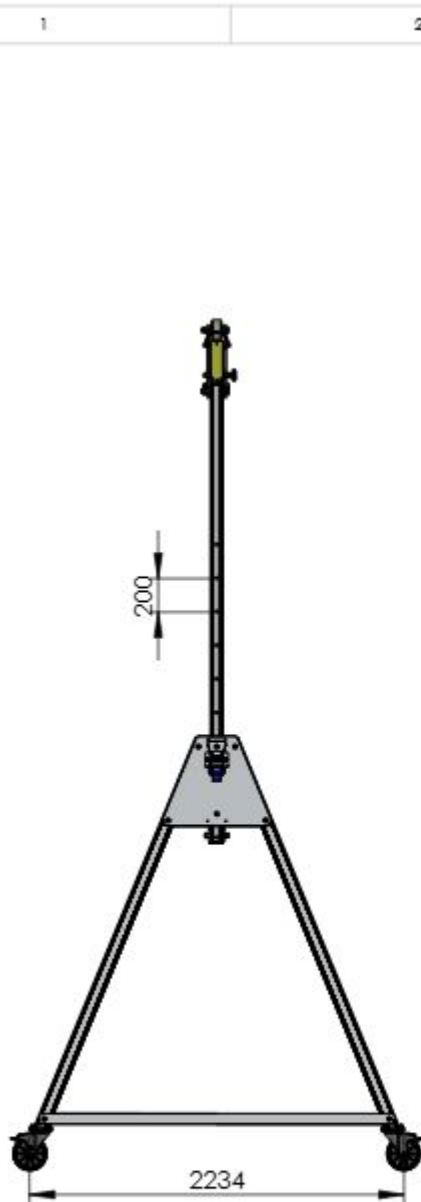
DWG NO. **PGSS03000TC4-4570B**

A4

Estimated Weight: 215 kg

1:45

SHEET 2 OF 2



DO NOT SCALE DRAWING

REVISION

01



Reid Lifting Limited. Unit 1
Wyeview, Newhouse Farm Ind. Est.,
Chepstow, Monmouthshire,
NP16 6UD, UK

Tel +44(0) 1291 620796
Fax +44(0) 1291 626490

www.reidlifting.com

enquiries@reidlifting.com

	NAME	DATE	FINISH:
DRAWN	TB	09/06/2021	Anodised
CHK'D			MATERIAL:
APP'VD	AB	17/02/2022	Aluminium Alloy
ALL COPYRIGHT AND DESIGN RIGHT SUBSISTING IN THIS DOCUMENT IS THE PROPERTY OF REID LIFTING LIMITED AND MAY NOT BE REPRODUCED WITHOUT REID LIFTING'S CONSENT. THIS DOCUMENT AND THE INFORMATION CONTAINED WITHIN IT IS CONFIDENTIAL AND MAY NOT BE DISCLOSED TO ANY THIRD PARTY NOR USED FOR ANY UNAUTHORISED PURPOSE WITHOUT REID LIFTING'S CONSENT			
UNLESS OTHERWISE SPECIFIED: DIMENSIONS ARE IN MILLIMETERS			



TITLE:

General Arrangement of Reid Lifting Porta-Gantry Type: TC4

DWG NO.

PGSS03000TC4-5500D

A4

Estimated Weight: 257 kg

1:45

SHEET 1 OF 2

General Specification

- Maximum rated capacity for goods lifting - 3000kg
- Maximum rated capacity for personnel lifting - 1500kg
- Beam deflection at maximum rated capacity of 3000kg - 30-40 mm at centre of span
- Maximum castor surface pressure at full load - 68.99 MPa
- Assembled gantry weight (excluding trolleys) - 257kg
- All welding to BS EN ISO 15614-2: 2005 by certified welders.
- For further details and assembly information refer to Operations and Maintenance Manual for Porta Gantry Product. (available at www.reidlifting.com)

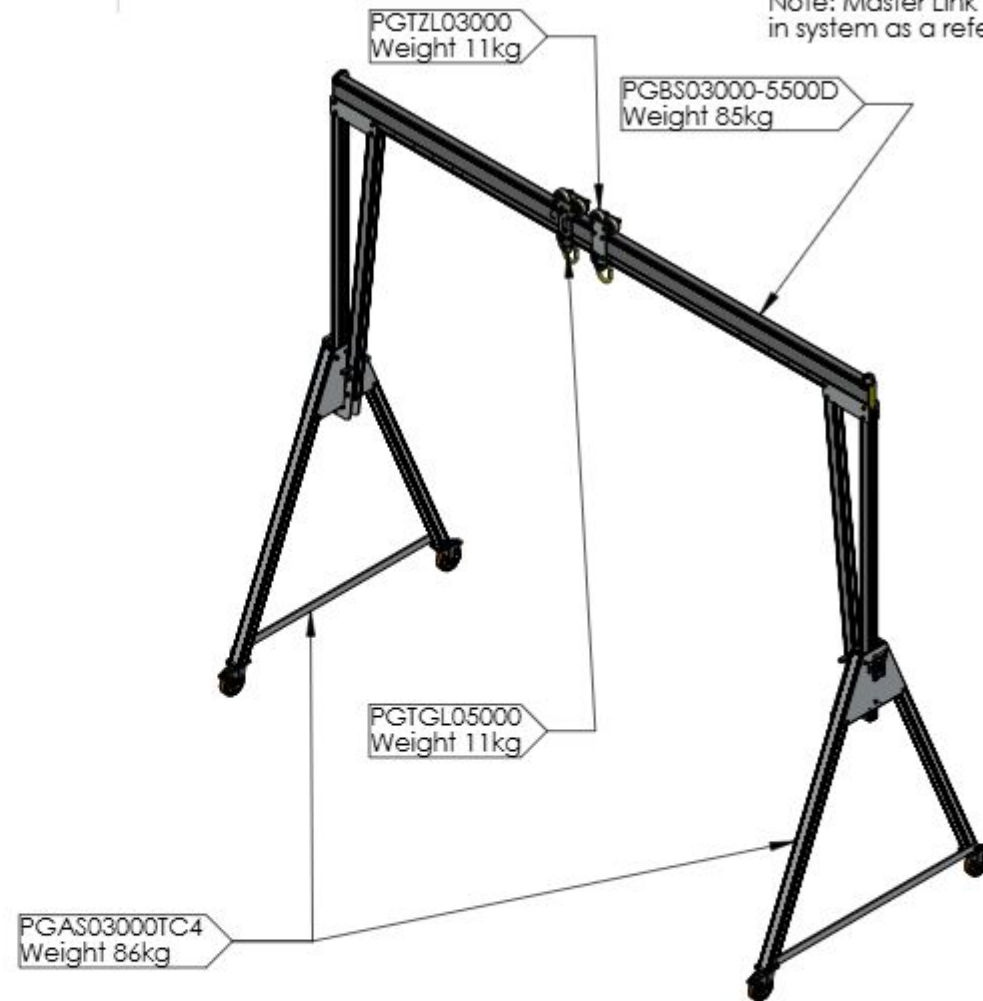
Fall Protection Standards

- Certified to EN795:2012 Type B & supplied under PPE Regulation 2016/425
- Notified Body Witness tested to the requirements of PD CEN/TS16415:2013 for 5 persons
- Exceeds the requirements of IRATA ICOP & BS7985 (15kN MBL)
- Tested to and meets the requirements of ANSI Z359.18.2017 for 3 persons.

Materials & Finishes

- Frame and beam - 6082 T6 Aluminium alloy. Anodised.
- Castors - Steel. Bright Zinc Plated.
- Castor Wheels & Rollers - Aluminium & Polyurethane
- Fixings - Steel. Grade 12.9. Bright Zinc Plated.

Note: Master Link Trolleys shown in system as a reference



Approved

DO NOT SCALE DRAWING

REVISION

01



Reid Lifting Limited. Unit 1
Wyeview, Newhouse Farm Ind. Est.,
Chepstow, Monmouthshire.
NP16 6UD, UK

Tel +44(0)1291 620796
Fax: +44(0)1291 626490

www.reidlifting.com

enquiries@reidlifting.com

	NAME	DATE
DRAWN	TB	09/06/2021
CHK'D		
APP'VD	AB	17/02/2022

UNLESS OTHERWISE SPECIFIED:
DIMENSIONS ARE IN MILLIMETERS

ALL COPYRIGHT AND DESIGN RIGHT SUBSISTING IN THIS DOCUMENT IS THE PROPERTY OF REID LIFTING LIMITED AND MAY NOT BE REPRODUCED WITHOUT REID LIFTING'S CONSENT. THIS DOCUMENT AND THE INFORMATION CONTAINED WITHIN IT IS CONFIDENTIAL AND MAY NOT BE DISCLOSED TO ANY THIRD PARTY NOR USED FOR ANY UNAUTHORISED PURPOSE WITHOUT REID LIFTING'S CONSENT



TITLE: **General Arrangement of Reid Lifting Porta-Gantry Type: TC4**

DWG NO.

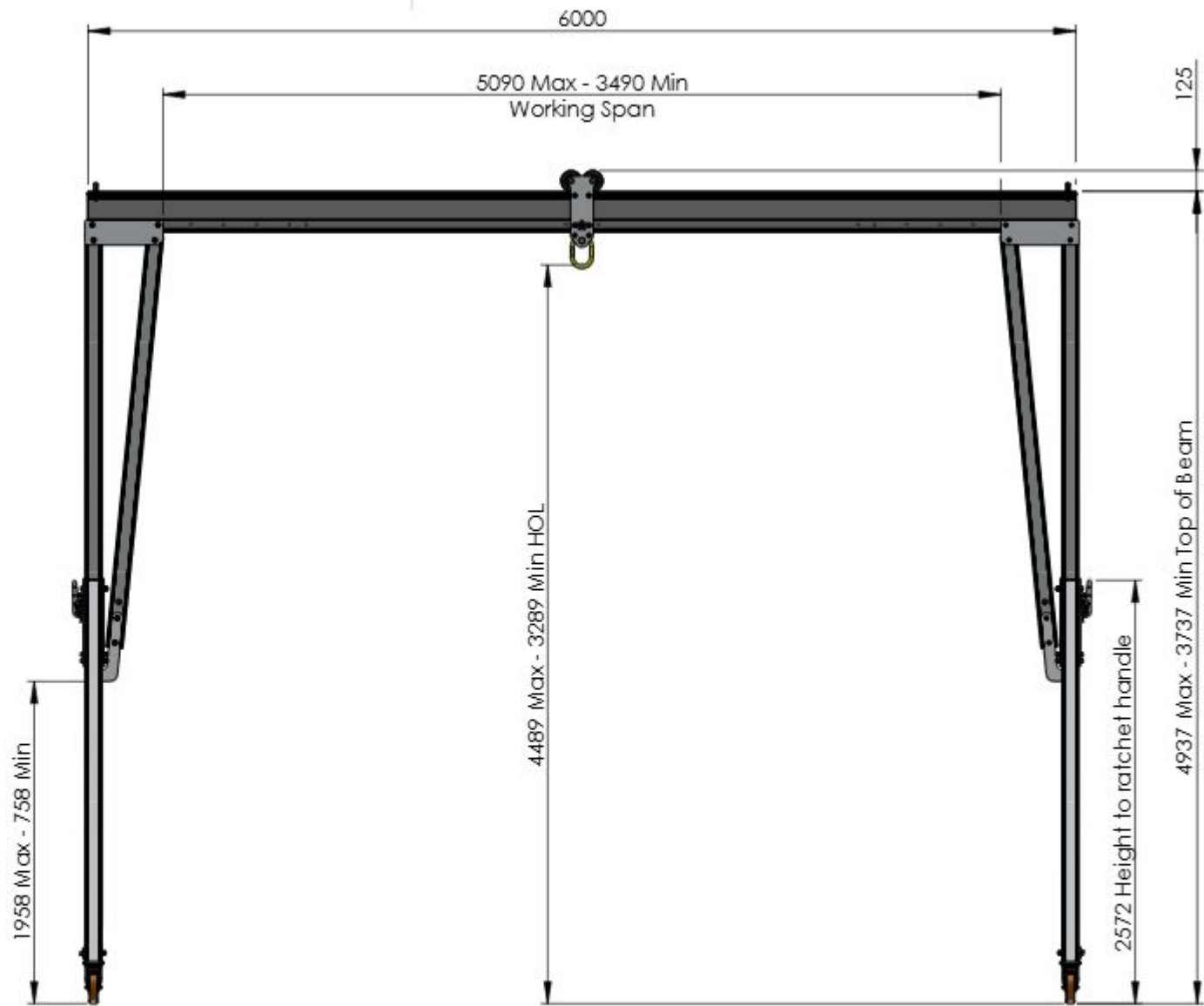
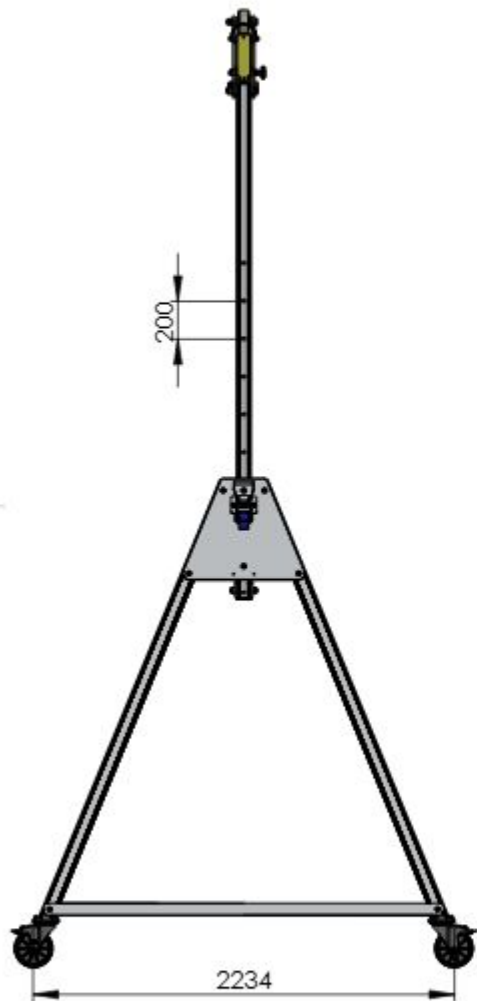
PGSS03000TC4-5500D

A4

Estimated Weight: 257 kg

1:55

SHEET 2 OF 2



DO NOT SCALE DRAWING

REVISION

01



Reid Lifting Limited. Unit 1
Wyeview, Newhouse Farm Ind. Est.,
Chepstow, Monmouthshire.
NP16 6UD, UK

Tel +44(0) 1291 620796
Fax +44(0) 1291 626490

www.reidlifting.com

enquiries@reidlifting.com

	NAME	DATE	FINISH:
DRAWN	TB	08/06/2021	Anodised
CHK'D			
APPR'D	AB	17/02/2022	MATERIAL: Aluminium Alloy
<small>ALL COPYRIGHT AND DESIGN RIGHT SUBSISTING IN THIS DOCUMENT IS THE PROPERTY OF REID LIFTING LIMITED AND MAY NOT BE REPRODUCED WITHOUT REID LIFTING'S CONSENT. THIS DOCUMENT AND THE INFORMATION CONTAINED WITHIN IT IS CONFIDENTIAL AND MAY NOT BE DISCLOSED TO ANY THIRD PARTY NOR USED FOR ANY UNAUTHORISED PURPOSE WITHOUT REID LIFTING'S CONSENT</small>			
<small>UNLESS OTHERWISE SPECIFIED: DIMENSIONS ARE IN MILLIMETERS</small>			



TITLE: **General Arrangement of Reid Lifting Porta-Gantry Type: TC4**

DWG NO. **PGSS03000TC4-6000D**

A4

Estimated Weight: 265 kg

1:40

SHEET 1 OF 2

General Specification

- Maximum rated capacity for goods lifting - 3000kg
- Maximum rated capacity for personnel lifting - 1500kg
- Beam deflection at maximum rated capacity of 3000kg - 40-50 mm at centre of span
- Maximum castor surface pressure at full load - 69.08 MPa
- Assembled gantry weight (excluding trolleys) - 265kg
- All welding to BS EN ISO 15614-2: 2005 by certified welders.
- For further details and assembly information refer to Operations and Maintenance Manual for Porta Gantry Product. (available at www.reidlifting.com)

Fall Protection Standards

- Certified to EN795:2012 Type B & supplied under PPE Regulation 2016/425
- Notified Body Witness tested to the requirements of PD CEN/TS16415:2013 for 5 persons
- Exceeds the requirements of IRATA ICOP & BS7985 (15kN MBL)
- Tested to and meets the requirements of ANSI Z359.18.2017 for 3 persons.

Materials & Finishes

- Frame and beam - 6082 T6 Aluminium alloy. Anodised.
- Castors - Steel. Bright Zinc Plated.
- Castor Wheels & Rollers - Aluminium & Polyurethane
- Fixings - Steel. Grade 12.9. Bright Zinc Plated.

Note: Master Link Trolleys shown in system as a reference



Approved

DO NOT SCALE DRAWING

REVISION

01



Reid Lifting Limited. Unit 1
Wyeview, Newhouse Farm Ind. Est.,
Chepstow, Monmouthshire.
NP16 6UD, UK

Tel +44(0)1291 620796
Fax: +44(0)1291 626490

www.reidlifting.com

enquiries@reidlifting.com

	NAME	DATE
DRAWN	TB	08/06/2021
CHK'D		
APPR'D	AB	17/02/2022

UNLESS OTHERWISE SPECIFIED:
DIMENSIONS ARE IN MILLIMETERS

ALL COPYRIGHT AND DESIGN RIGHT SUBSISTING IN THIS DOCUMENT IS THE PROPERTY OF REID LIFTING LIMITED AND MAY NOT BE REPRODUCED WITHOUT REID LIFTING'S CONSENT. THIS DOCUMENT AND THE INFORMATION CONTAINED WITHIN IT IS CONFIDENTIAL AND MAY NOT BE DISCLOSED TO ANY THIRD PARTY NOR USED FOR ANY UNAUTHORIZED PURPOSE WITHOUT REID LIFTING'S CONSENT



TITLE: **General Arrangement of Reid Lifting Porta-Gantry Type: TC4**

DWG NO.

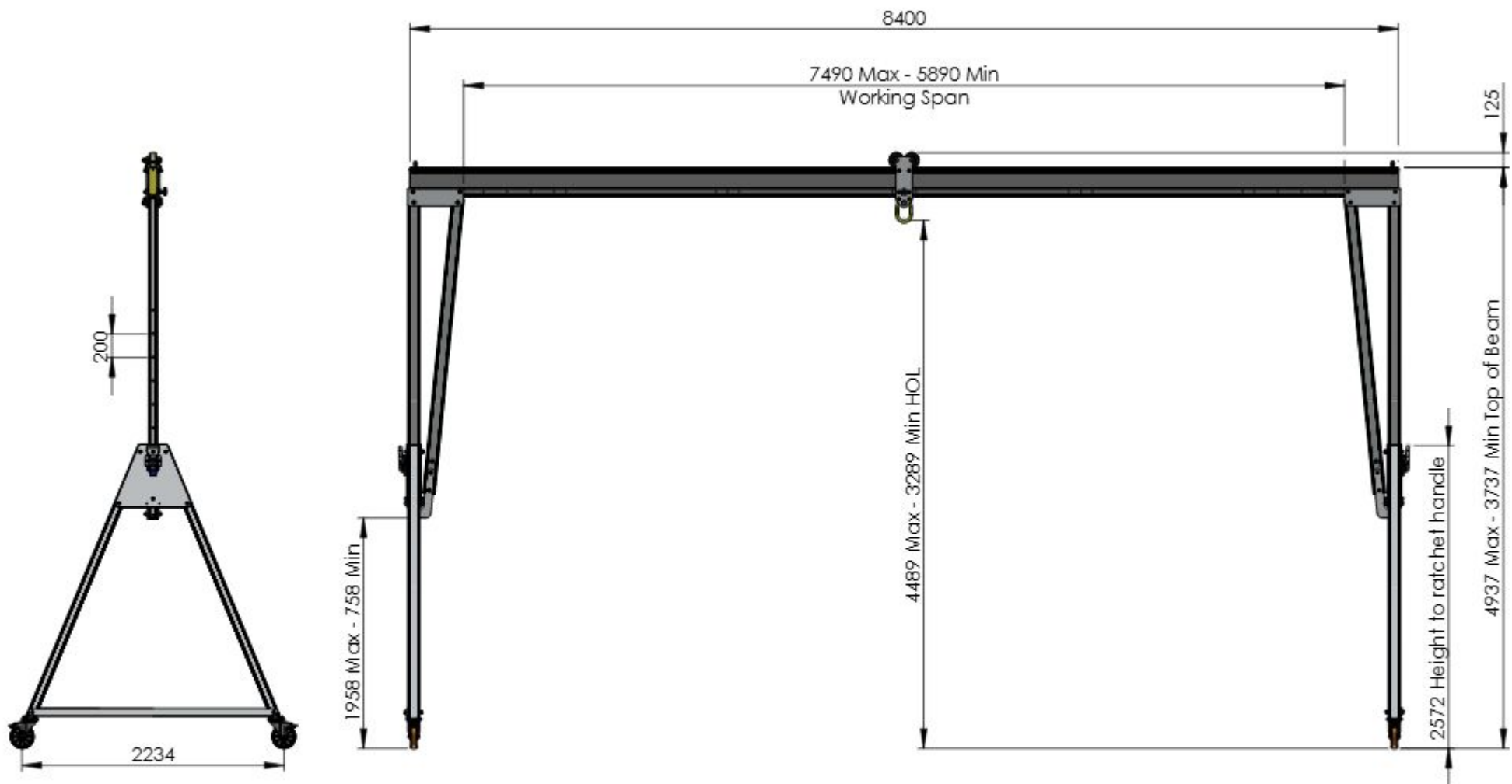
PGSS03000TC4-6000D

A4

Estimated Weight: 265 kg

1:55

SHEET 2 OF 2



DO NOT SCALE DRAWING

REVISION

01



Reid Lifting Limited, Unit 1
Wyeview, Newhouse Farm Ind. Est.,
Chepstow, Monmouthshire,
NP16 6UD, UK

Tel +44(0) 1291 620796
Fax +44(0) 1291 626490

www.reidlifting.com

enquiries@reidlifting.com

	NAME	DATE	FINISH:
DRAWN	TB	09/06/2021	Anodised
CHK'D			MATERIAL:
APPR'D	AB	17/02/2022	Aluminium Alloy

ALL COPYRIGHT AND DESIGN RIGHT SUBSISTING IN THIS DOCUMENT IS THE PROPERTY OF REID LIFTING LIMITED AND MAY NOT BE REPRODUCED WITHOUT REID LIFTING'S CONSENT. THIS DOCUMENT AND THE INFORMATION CONTAINED WITHIN IT IS CONFIDENTIAL AND MAY NOT BE DISCLOSED TO ANY THIRD PARTY NOR USED FOR ANY UNAUTHORISED PURPOSE WITHOUT REID LIFTING'S CONSENT

UNLESS OTHERWISE SPECIFIED:
DIMENSIONS ARE IN MILLIMETERS

TITLE:

General Arrangement of Reid Lifting Porta-Gantry Type: TC4

DWG NO.

PGSS03000TC4-8400D

A4

Estimated Weight: 302 kg

1:50

SHEET 1 OF 2

General Specification

- Maximum rated capacity for goods lifting - 3000kg
- Maximum rated capacity for personnel lifting - 1500kg
- Beam deflection at maximum rated capacity of 3000kg - 100-110 mm at centre of span
- Maximum castor surface pressure at full load - 69.48 MPa
- Assembled gantry weight (excluding trolleys) - 302kg
- All welding to BS EN ISO 15614-2: 2005 by certified welders.
- For further details and assembly information refer to Operations and Maintenance Manual for Porta Gantry Product. (available at www.reidlifting.com)

Fall Protection Standards

- Certified to EN795:2012 Type B & supplied under PPE Regulation 2016/425
- Notified Body Witness tested to the requirements of PD CEN/TS16415:2013 for 5 persons
- Exceeds the requirements of IRATA ICOP & BS7985 (15kN MBL)
- Tested to and meets the requirements of ANSI Z359.18.2017 for 3 persons.

Materials & Finishes

- Frame and beam - 6082 T6 Aluminium alloy. Anodised.
- Castors - Steel. Bright Zinc Plated.
- Castor Wheels & Rollers - Aluminium & Polyurethane
- Fixings - Steel. Grade 12.9. Bright Zinc Plated.



Approved

DO NOT SCALE DRAWING

REVISION

01



Reid Lifting Limited. Unit 1
Wyeview, Newhouse Farm Ind. Est.,
Chepstow, Monmouthshire.
NP16 6UD, UK

Tel +44(0)1291 620796
Fax: +44(0)1291 626490

www.reidlifting.com

enquiries@reidlifting.com

	NAME	DATE
DRAWN	TB	09/06/2021
CHK'D		
APP'VD	AB	17/02/2022

UNLESS OTHERWISE SPECIFIED:
DIMENSIONS ARE IN MILLIMETERS

ALL COPYRIGHT AND DESIGN RIGHT SUBSISTING IN THIS DOCUMENT IS THE PROPERTY OF REID LIFTING LIMITED AND MAY NOT BE REPRODUCED WITHOUT REID LIFTING'S CONSENT. THIS DOCUMENT AND THE INFORMATION CONTAINED WITHIN IT IS CONFIDENTIAL AND MAY NOT BE DISCLOSED TO ANY THIRD PARTY NOR USED FOR ANY UNAUTHORIZED PURPOSE WITHOUT REID LIFTING'S CONSENT



TITLE: **General Arrangement of Reid Lifting Porta-Gantry Type: TC4**

DWG NO.

PGSS03000TC4-8400D

A4

Estimated Weight: 302 kg

1:55

SHEET 2 OF 2