



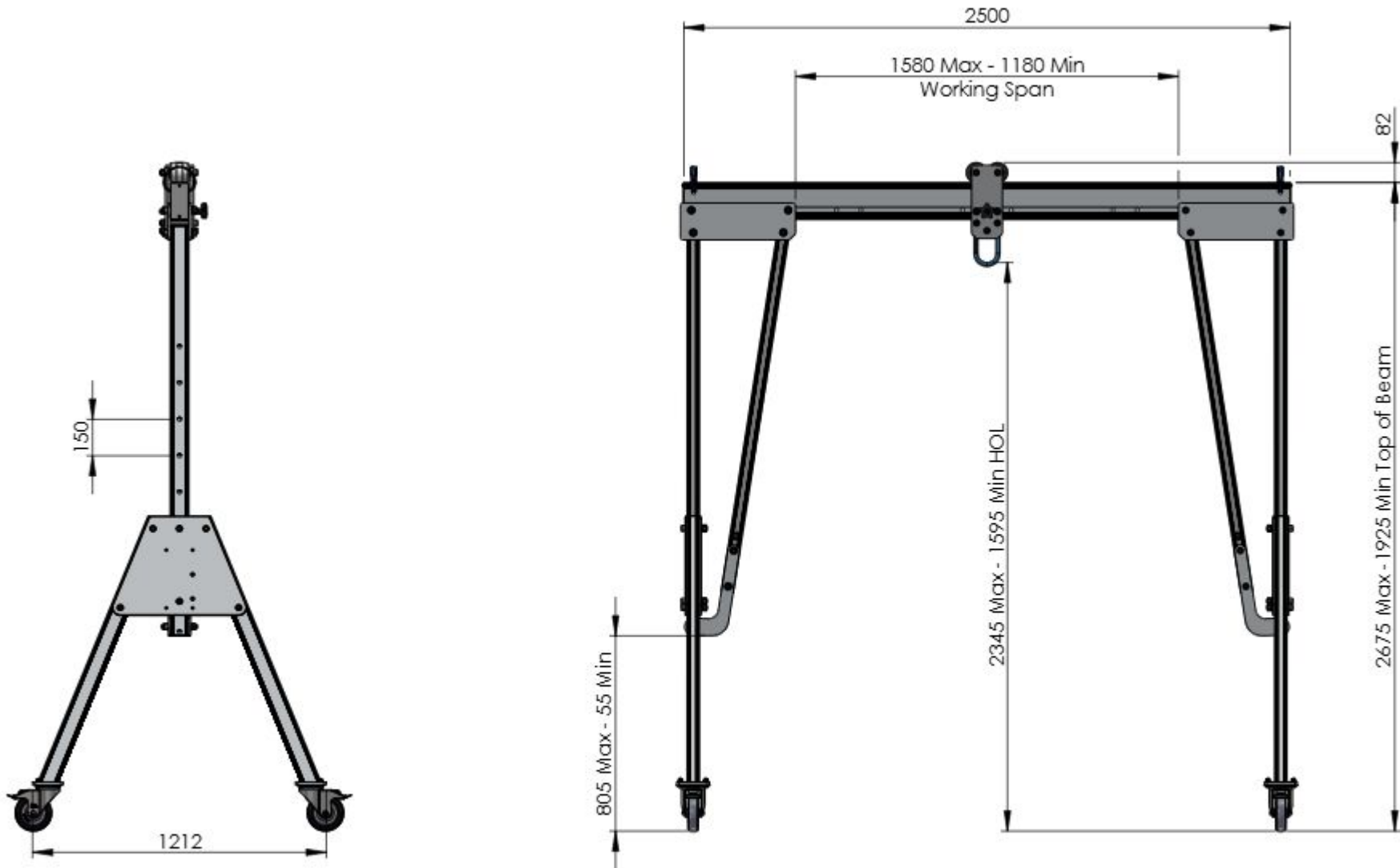
TECHNICAL DATASHEETS

# PORTAGANTRY®

500kg



To ensure stability of the structure, the working span of the beam must be equal or greater than the distance between the castors on the A-frame



DO NOT SCALE DRAWING

REVISION **03**



Reid Lifting Limited. Unit 1  
Wyeview, Newhouse Farm Ind. Est.,  
Chepstow, Monmouthshire.  
NP16 6UD, UK

Tel +44(0) 1291 620796  
Fax +44(0) 1291 626490

[www.reidlifting.com](http://www.reidlifting.com)

[enquiries@reidlifting.com](mailto:enquiries@reidlifting.com)

	NAME	DATE	FINISH:
DRAWN	BJ	23/03/2021	Anodised
CHK'D			MATERIAL:
APPR'D	CM	09/03/2023	Aluminium Alloy
<small>ALL COPYRIGHT AND DESIGN RIGHT SUBSISTING IN THIS DOCUMENT IS THE PROPERTY OF REID LIFTING LIMITED AND MAY NOT BE REPRODUCED WITHOUT REID LIFTING'S CONSENT. THIS DOCUMENT AND THE INFORMATION CONTAINED WITHIN IT IS CONFIDENTIAL AND MAY NOT BE DISCLOSED TO ANY THIRD PARTY NOR USED FOR ANY UNAUTHORISED PURPOSE WITHOUT REID LIFTING'S CONSENT</small>			
<small>UNLESS OTHERWISE SPECIFIED: DIMENSIONS ARE IN MILLIMETERS</small>			

TITLE: **General Arrangement of REID Lifting Porta-Gantry Size: Small - WLL500kg 2500mm Beam**

DWG NO.

**PGSS00500S-2500A**

A4

Estimated Weight: 82 kg

1:25

SHEET 1 OF 2

## General Specification

- Maximum rated capacity for goods lifting - 500kg
- Maximum rated capacity for personnel lifting - 250kg
- Beam deflection at maximum rated capacity of 500kg - 0-5mm at centre of span
- Maximum castor surface pressure at full load - 14.68 Mpa
- Assembled gantry weight (excluding trollies) - 83kg
- All welding to BS EN ISO 15614-2: 2005 by certified welders.
- For further details and assembly information refer to Operations and Maintenance Manual for Porta Gantry Product. (available at [www.reidlifting.com](http://www.reidlifting.com))

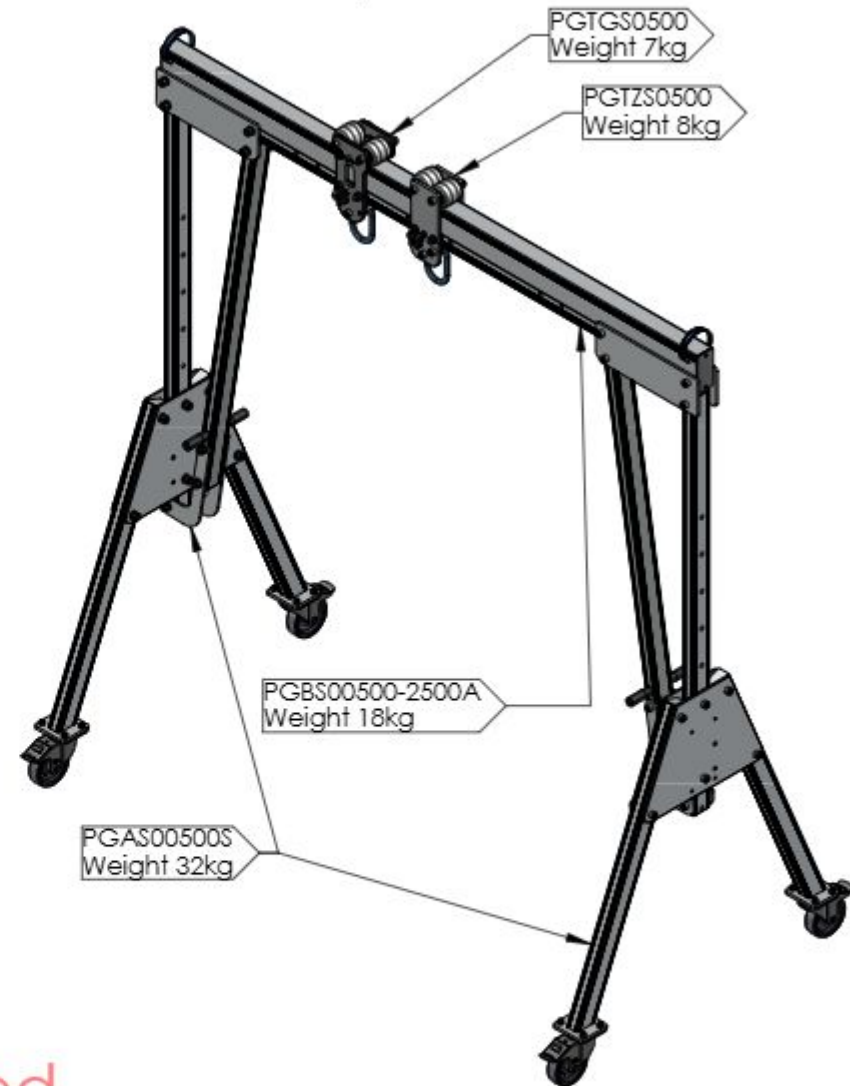
## Fall Protection Standards

- Certified to EN795:2012 Type B & supplied under PPE Regulation 2016/425
- Notified Body Witness tested to the requirements of PD CEN/TS16415:2013 for 3 persons
- Exceeds the requirements of IRATA ICOP & BS7985 (15kN MBL)
- Tested to and meets the requirements of ANSI Z359.18.2017 for 2 persons.

## Materials & Finishes

- Frame and beam - 6082 T6 Aluminium alloy. Anodised.
- Castors - Steel. Bright Zinc Plated.
- Castor Wheels & Rollers - Nylon & Polyurethane
- Fixings - Steel. Grade 12.9. Bright Zinc Plated.

Note: Master Link Trolley shown in system as a reference



Approved

DO NOT SCALE DRAWING

REVISION

03



Reid Lifting Limited. Unit 1  
Wyeview, Newhouse Farm Ind. Est.,  
Chepstow, Monmouthshire.  
NP16 6UD, UK

Tel +44(0)1291 620796  
Fax: +44(0)1291 626490

[www.reidlifting.com](http://www.reidlifting.com)

[enquiries@reidlifting.com](mailto:enquiries@reidlifting.com)

	NAME	DATE
DRAWN	BJ	23/03/2021
CHK'D		
APPR'D	CM	09/03/2023

UNLESS OTHERWISE SPECIFIED:  
DIMENSIONS ARE IN MILLIMETERS

ALL COPYRIGHT AND DESIGN RIGHT SUBSISTING IN THIS DOCUMENT IS THE PROPERTY OF REID LIFTING LIMITED AND MAY NOT BE REPRODUCED WITHOUT REID LIFTING'S CONSENT. THIS DOCUMENT AND THE INFORMATION CONTAINED WITHIN IT IS CONFIDENTIAL AND MAY NOT BE DISCLOSED TO ANY THIRD PARTY NOR USED FOR ANY UNAUTHORISED PURPOSE WITHOUT REID LIFTING'S CONSENT



TITLE: **General Arrangement of REID Lifting Porta-Gantry Size: Small - WLL500kg 2500mm Beam**

DWG NO.

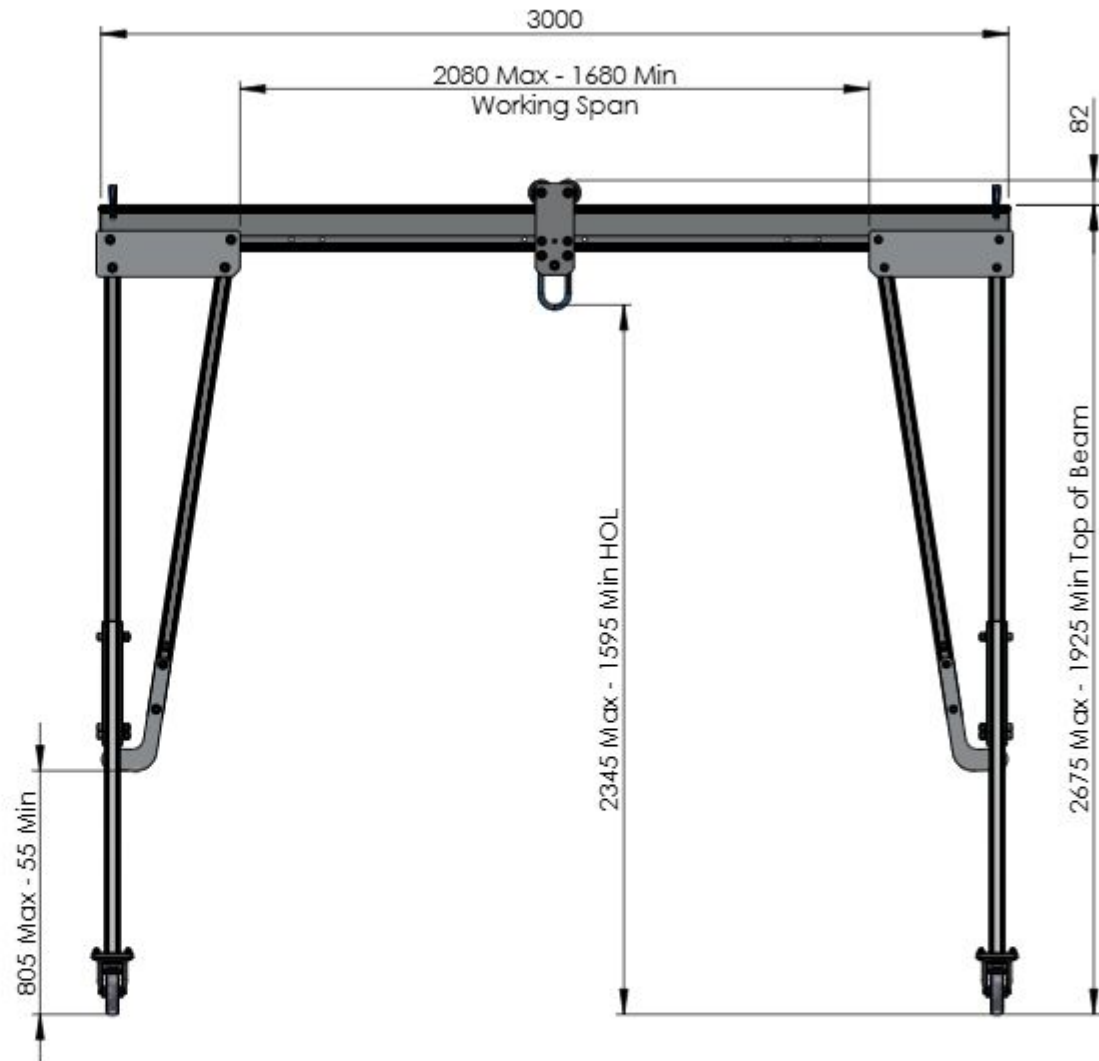
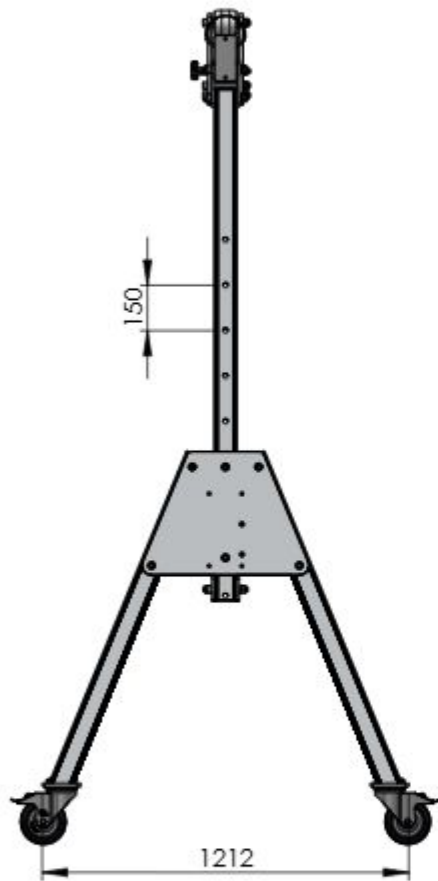
**PGSS00500S-2500A**

A4

Estimated Weight: 82 kg

1:25

SHEET 2 OF 2



DO NOT SCALE DRAWING

REVISION **02**



Reid Lifting Limited. Unit 1  
Wyeview, Newhouse Farm Ind. Est.,  
Chepstow, Monmouthshire.  
NP16 6UD, UK

Tel +44(0) 1291 620796  
Fax +44(0) 1291 626490

[www.reidlifting.com](http://www.reidlifting.com)

[enquiries@reidlifting.com](mailto:enquiries@reidlifting.com)

	NAME	DATE	FINISH:
DRAWN	TB	14/05/2021	Anodised
CHK'D			MATERIAL:
APP'VD	CM	09/03/2023	Aluminium Alloy

ALL COPYRIGHT AND DESIGN RIGHT SUBSISTING IN THIS DOCUMENT IS THE PROPERTY OF REID LIFTING LIMITED AND MAY NOT BE REPRODUCED WITHOUT REID LIFTING'S CONSENT. THIS DOCUMENT AND THE INFORMATION CONTAINED WITHIN IT IS CONFIDENTIAL AND MAY NOT BE DISCLOSED TO ANY THIRD PARTY NOR USED FOR ANY UNAUTHORISED PURPOSE WITHOUT REID LIFTING'S CONSENT

UNLESS OTHERWISE SPECIFIED:  
DIMENSIONS ARE IN MILLIMETERS

TITLE: **General Arrangement of REID Lifting Porta-Gantry Size: Small - WLL500kg 3000mm Beam**

DWG NO. **PGSS00500S-3000A** A4

Estimated Weight: 86 kg 1:25 SHEET 1 OF 2

## General Specification

- Maximum rated capacity for goods lifting - 500kg
- Maximum rated capacity for personnel lifting - 250kg
- Beam deflection at maximum rated capacity of 500kg - 0-5 mm at centre of span
- Maximum castor surface pressure at full load - 14.73 Mpa
- Assembled gantry weight (excluding trolleys) - 86kg
- All welding to BS EN ISO 15614-2: 2005 by certified welders.
- For further details and assembly information refer to Operations and Maintenance Manual for Porta Gantry Product. (available at [www.reidlifting.com](http://www.reidlifting.com))

## Fall Protection Standards

- Certified to EN795:2012 Type B & supplied under PPE Regulation 2016/425
- Notified Body Witness tested to the requirements of PD CEN/TS16415:2013 for 3 persons
- Exceeds the requirements of IRATA ICOP & BS7985 (15kN MBL)
- Tested to and meets the requirements of ANSI Z359.18.2017 for 2 persons.

## Materials & Finishes

- Frame and beam - 6082 T6 Aluminium alloy. Anodised.
- Castors - Steel. Bright Zinc Plated.
- Castor Wheels & Rollers - Nylon & Polyurethane
- Fixings - Steel. Grade 12.9. Bright Zinc Plated.

Note: Masterlink Trolley shown in system as a reference



Approved

DO NOT SCALE DRAWING

REVISION **02**



Reid Lifting Limited. Unit 1  
Wyeview, Newhouse Farm Ind. Est.,  
Chepstow, Monmouthshire.  
NP16 6UD, UK

Tel +44(0)1291 620796  
Fax: +44(0)1291 626490

[www.reidlifting.com](http://www.reidlifting.com)

[enquiries@reidlifting.com](mailto:enquiries@reidlifting.com)

	NAME	DATE
DRAWN	TB	14/05/2021
CHK'D		
APPR'D	CM	09/03/2023

UNLESS OTHERWISE SPECIFIED:  
DIMENSIONS ARE IN MILLIMETERS

ALL COPYRIGHT AND DESIGN RIGHT SUBSISTING IN THIS DOCUMENT IS THE PROPERTY OF REID LIFTING LIMITED AND MAY NOT BE REPRODUCED WITHOUT REID LIFTING'S CONSENT. THIS DOCUMENT AND THE INFORMATION CONTAINED WITHIN IT IS CONFIDENTIAL AND MAY NOT BE DISCLOSED TO ANY THIRD PARTY NOR USED FOR ANY UNAUTHORISED PURPOSE WITHOUT REID LIFTING'S CONSENT



TITLE: **General Arrangement of REID Lifting Porta-Gantry Size: Small - WLL500kg 3000mm Beam**

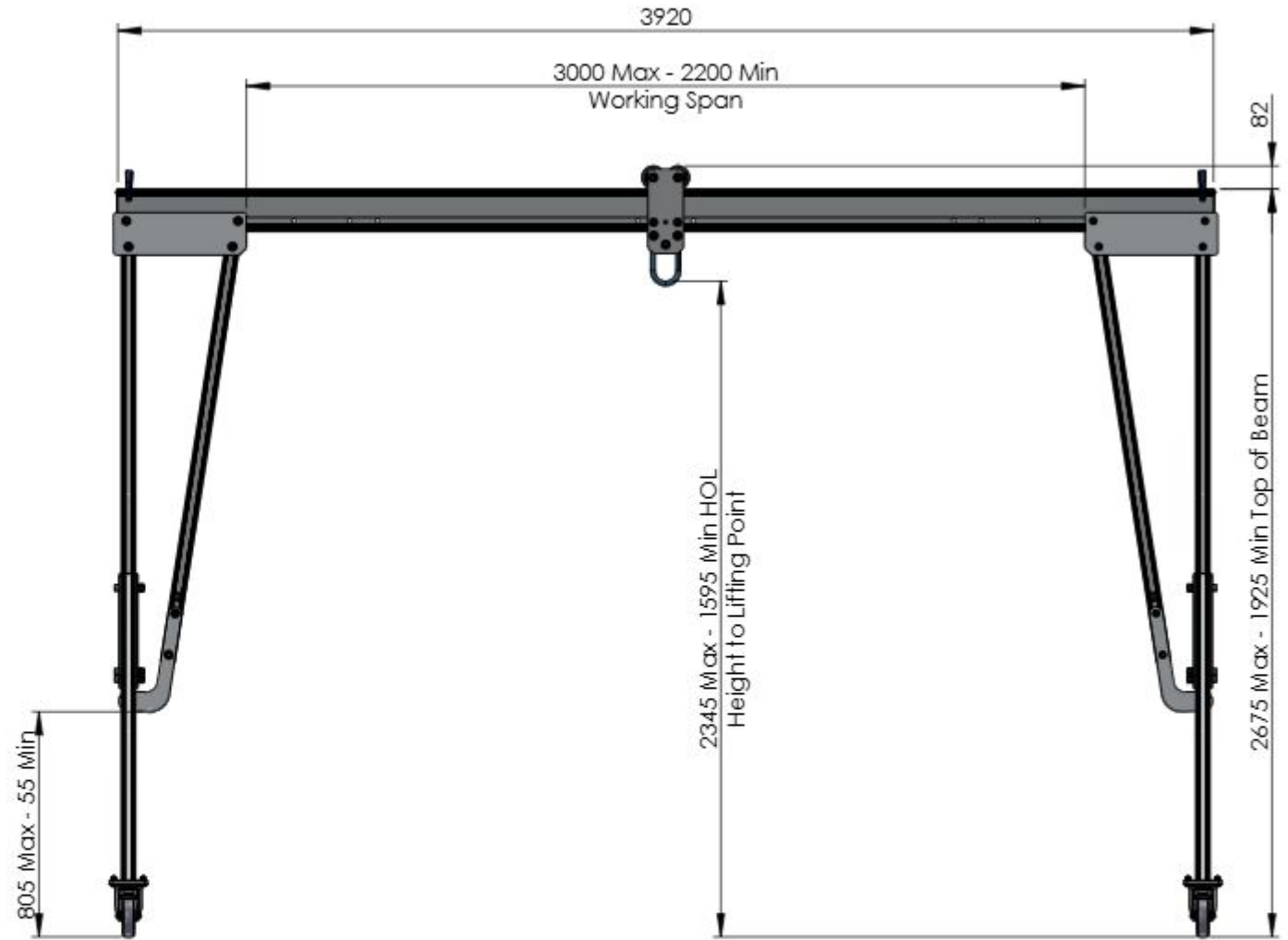
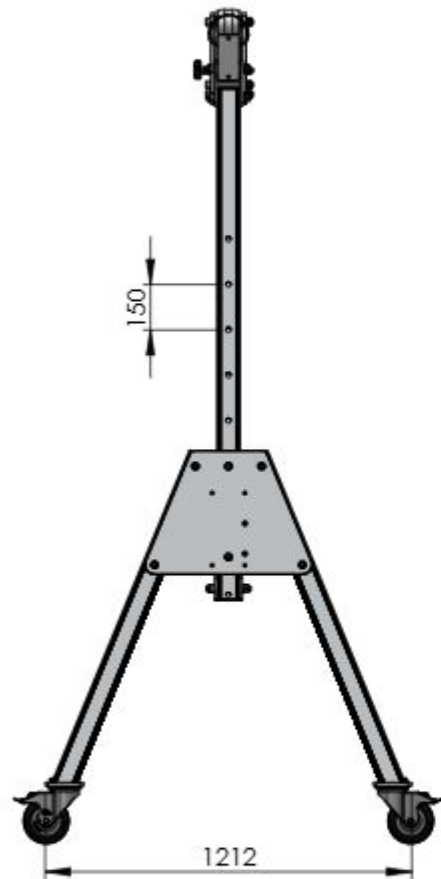
DWG NO. **PGSS00500S-3000A**

A4

Estimated Weight: 86 kg

1:25

SHEET 2 OF 2



DO NOT SCALE DRAWING

REVISION **02**



Reid Lifting Limited. Unit 1  
Wyeview, Newhouse Farm Ind. Est.,  
Chepstow, Monmouthshire.  
NP16 6UD, UK

Tel +44(0) 1291 620796  
Fax +44(0) 1291 626490

[www.reidlifting.com](http://www.reidlifting.com)

[enquiries@reidlifting.com](mailto:enquiries@reidlifting.com)

	NAME	DATE	FINISH:
DRAWN	TB	17/05/2021	Anodised
CHK'D			MATERIAL:
APP'VD	CM	09/03/2023	Aluminium Alloy
<small>ALL COPYRIGHT AND DESIGN RIGHT SUBSISTING IN THIS DOCUMENT IS THE PROPERTY OF REID LIFTING LIMITED AND MAY NOT BE REPRODUCED WITHOUT REID LIFTING'S CONSENT. THIS DOCUMENT AND THE INFORMATION CONTAINED WITHIN IT IS CONFIDENTIAL AND MAY NOT BE DISCLOSED TO ANY THIRD PARTY NOR USED FOR ANY UNAUTHORISED PURPOSE WITHOUT REID LIFTING'S CONSENT</small>			
<small>UNLESS OTHERWISE SPECIFIED: DIMENSIONS ARE IN MILLIMETERS</small>			



TITLE: **General Arrangement of REID Lifting Porta-Gantry Size: Small - WLL500kg 3920mm Beam**

DWG NO. **PGSS00500S-3920A**

A4

Estimated Weight: 93 kg

1:25

SHEET 1 OF 2

## General Specification

- Maximum rated capacity for goods lifting - 500kg
- Maximum rated capacity for personnel lifting - 250kg
- Beam deflection at maximum rated capacity of 500kg - 5-10 mm at centre of span
- Maximum castor surface pressure at full load - 14.82 MPa
- Assembled gantry weight (excluding trollies) - 93kg
- All welding to BS EN ISO 15614-2: 2005 by certified welders.
- For further details and assembly information refer to Operations and Maintenance Manual for Porta Gantry Product. (available at [www.reidlifting.com](http://www.reidlifting.com))

## Fall Protection Standards

- Certified to EN795:2012 Type B & supplied under PPE Regulation 2016/425
- Notified Body Witness tested to the requirements of PD CEN/TS16415:2013 for 3 persons
- Exceeds the requirements of IRATA ICOP & BS7985 (15kN MBL)
- Tested to and meets the requirements of ANSI Z359.18.2017 for 2 persons.

## Materials & Finishes

- Frame and beam - 6082 T6 Aluminium alloy. Anodised.
- Castors - Steel. Bright Zinc Plated.
- Castor Wheels & Rollers - Nylon & Polyurethane
- Fixings - Steel. Grade 12.9. Bright Zinc Plated.

Note: Masterlink Trolley shown in system as a reference



Approved

DO NOT SCALE DRAWING

REVISION

02

**REID**  
**LIFTING**

Reid Lifting Limited. Unit 1  
Wyeview, Newhouse Farm Ind. Est.,  
Chepstow, Monmouthshire.  
NP16 6UD, UK

Tel +44(0)1291 620796  
Fax: +44(0)1291 626490

[www.reidlifting.com](http://www.reidlifting.com)

[enquiries@reidlifting.com](mailto:enquiries@reidlifting.com)

	NAME	DATE
DRAWN	TB	17/05/2021
CHK'D		
APPR'D	CM	09/03/2023

UNLESS OTHERWISE SPECIFIED:  
DIMENSIONS ARE IN MILLIMETERS

ALL COPYRIGHT AND DESIGN RIGHT SUBSISTING IN THIS DOCUMENT IS THE PROPERTY OF REID LIFTING LIMITED AND MAY NOT BE REPRODUCED WITHOUT REID LIFTING'S CONSENT. THIS DOCUMENT AND THE INFORMATION CONTAINED WITHIN IT IS CONFIDENTIAL AND MAY NOT BE DISCLOSED TO ANY THIRD PARTY NOR USED FOR ANY UNAUTHORIZED PURPOSE WITHOUT REID LIFTING'S CONSENT



TITLE: **General Arrangement of REID Lifting Porta-Gantry Size: Small - WLL500kg 3920mm Beam**

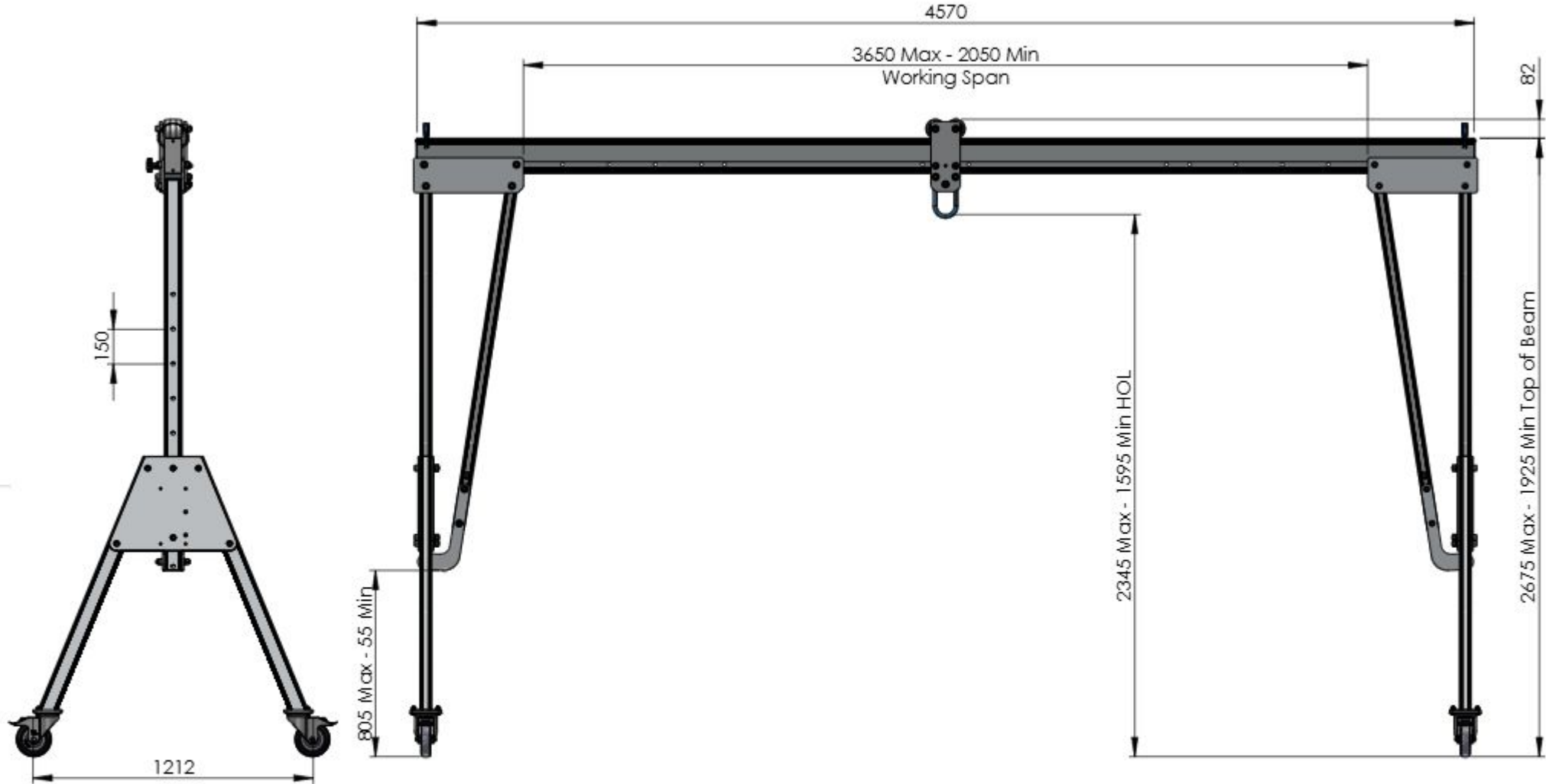
DWG NO. **PGSS00500S-3920A**

A4

Estimated Weight: 93 kg

1:30

SHEET 2 OF 2



DO NOT SCALE DRAWING

REVISION **02**



Reid Lifting Limited. Unit 1  
Wyeview, Newhouse Farm Ind. Est.,  
Chepstow, Monmouthshire.  
NP16 6UD, UK

Tel +44(0) 1291 620796  
Fax +44(0) 1291 626490

[www.reidlifting.com](http://www.reidlifting.com)

[enquiries@reidlifting.com](mailto:enquiries@reidlifting.com)

	NAME	DATE	FINISH:
DRAWN	TB	18/05/2021	Anodised
CHK'D			MATERIAL:
APP'VD	CM	09/03/2023	Aluminium Alloy

ALL COPYRIGHT AND DESIGN RIGHT SUBSISTING IN THIS DOCUMENT IS THE PROPERTY OF REID LIFTING LIMITED AND MAY NOT BE REPRODUCED WITHOUT REID LIFTING'S CONSENT. THIS DOCUMENT AND THE INFORMATION CONTAINED WITHIN IT IS CONFIDENTIAL AND MAY NOT BE DISCLOSED TO ANY THIRD PARTY NOR USED FOR ANY UNAUTHORISED PURPOSE WITHOUT REID LIFTING'S CONSENT

UNLESS OTHERWISE SPECIFIED:  
DIMENSIONS ARE IN MILLIMETERS

TITLE: **General Arrangement of REID Lifting Porta-Gantry Size: Small - WLL500kg 4570mm Beam**

DWG NO. **PGSS00500S-4570A**

A4

Estimated Weight: 97 kg

1:25

SHEET 1 OF 2

## General Specification

- Maximum rated capacity for goods lifting - 500kg
- Maximum rated capacity for personnel lifting - 250kg
- Beam deflection at maximum rated capacity of 500kg - 10-15 mm at centre of span
- Maximum castor surface pressure at full load - 14.88 MPa
- Assembled gantry weight (excluding trollies) - 98kg
- All welding to BS EN ISO 15614-2: 2005 by certified welders.
- For further details and assembly information refer to Operations and Maintenance Manual for Porta Gantry Product. (available at [www.reidlifting.com](http://www.reidlifting.com))

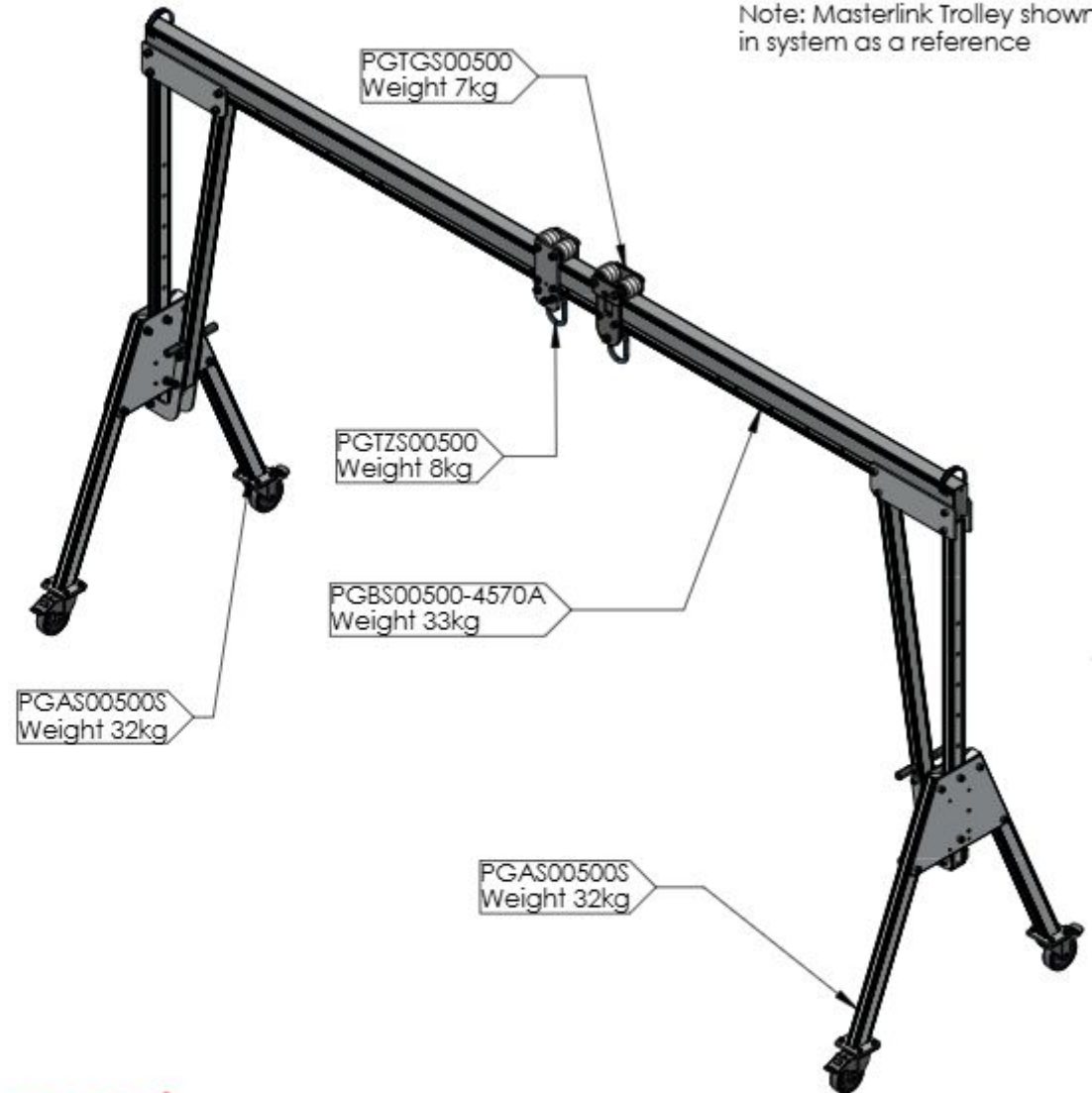
## Fall Protection Standards

- Certified to EN795:2012 Type B & supplied under PPE Regulation 2016/425
- Notified Body Witness tested to the requirements of PD CEN/TS16415:2013 for 3 persons
- Exceeds the requirements of IRATA ICOP & BS7985 (15kN MBL)
- Tested to and meets the requirements of ANSI Z359.18.2017 for 2 persons.

## Materials & Finishes

- Frame and beam - 6082 T6 Aluminium alloy. Anodised.
- Castors - Steel. Bright Zinc Plated.
- Castor Wheels & Rollers - Nylon & Polyurethane
- Fixings - Steel. Grade 12.9. Bright Zinc Plated.

Note: Masterlink Trolley shown in system as a reference



Approved

DO NOT SCALE DRAWING

REVISION

02

**REID**  
**LIFTING**

Reid Lifting Limited. Unit 1  
Wyeview, Newhouse Farm Ind. Est.,  
Chepstow, Monmouthshire.  
NP16 6UD, UK

Tel +44(0)1291 620796  
Fax: +44(0)1291 626490

[www.reidlifting.com](http://www.reidlifting.com)

[enquiries@reidlifting.com](mailto:enquiries@reidlifting.com)

	NAME	DATE
DRAWN	TB	18/05/2021
CHK'D		
APPR'D	CM	09/03/2023

UNLESS OTHERWISE SPECIFIED:  
DIMENSIONS ARE IN MILLIMETERS

ALL COPYRIGHT AND DESIGN RIGHT SUBSISTING IN THIS DOCUMENT IS THE PROPERTY OF REID LIFTING LIMITED AND MAY NOT BE REPRODUCED WITHOUT REID LIFTING'S CONSENT. THIS DOCUMENT AND THE INFORMATION CONTAINED WITHIN IT IS CONFIDENTIAL AND MAY NOT BE DISCLOSED TO ANY THIRD PARTY NOR USED FOR ANY UNAUTHORIZED PURPOSE WITHOUT REID LIFTING'S CONSENT



TITLE: **General Arrangement of REID Lifting Porta-Gantry Size: Small - WLL500kg 4570mm Beam**

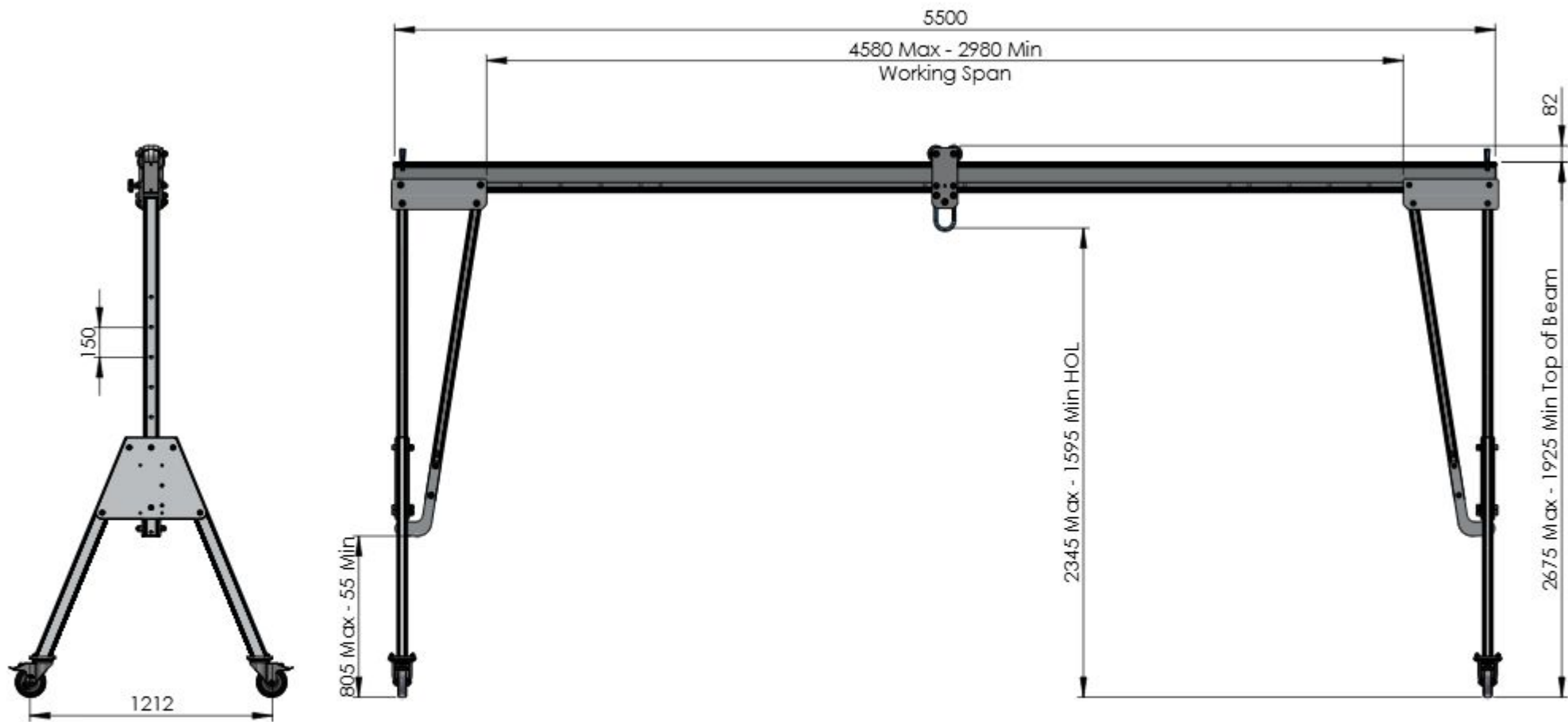
DWG NO. **PGSS00500S-4570A**

A4

Estimated Weight: 97 kg

1:30

SHEET 2 OF 2



DO NOT SCALE DRAWING

REVISION **02**



Reid Lifting Limited. Unit 1  
Wyeview, Newhouse Farm Ind. Est.,  
Chepstow, Monmouthshire.  
NP16 6UD, UK

Tel +44(0) 1291 620796  
Fax +44(0) 1291 626490

[www.reidlifting.com](http://www.reidlifting.com)

[enquiries@reidlifting.com](mailto:enquiries@reidlifting.com)

	NAME	DATE	FINISH:
DRAWN	TB	18/05/2021	Anodised
CHK'D			MATERIAL:
APP'VD	CM	09/03/2023	Aluminium Alloy
<small>ALL COPYRIGHT AND DESIGN RIGHT SUBSISTING IN THIS DOCUMENT IS THE PROPERTY OF REID LIFTING LIMITED AND MAY NOT BE REPRODUCED WITHOUT REID LIFTING'S CONSENT. THIS DOCUMENT AND THE INFORMATION CONTAINED WITHIN IT IS CONFIDENTIAL AND MAY NOT BE DISCLOSED TO ANY THIRD PARTY NOR USED FOR ANY UNAUTHORISED PURPOSE WITHOUT REID LIFTING'S CONSENT</small>			
<small>UNLESS OTHERWISE SPECIFIED: DIMENSIONS ARE IN MILLIMETERS</small>			



TITLE: **General Arrangement of REID Lifting Porta-Gantry Size: Small - WLL500kg 5500mm Beam**

DWG NO. **PGSS00500S-5500A**

A4

Estimated Weight: 104 kg

1:30

SHEET 1 OF 2

## General Specification

- Maximum rated capacity for goods lifting - 500kg
- Maximum rated capacity for personnel lifting - 250kg
- Beam deflection at maximum rated capacity of 500kg - 20-30 mm at centre of span
- Maximum castor surface pressure at full load - 14.98 MPa
- Assembled gantry weight (excluding trollies) - 105kg
- All welding to BS EN ISO 15614-2: 2005 by certified welders.
- For further details and assembly information refer to Operations and Maintenance Manual for Porta Gantry Product. (available at [www.reidlifting.com](http://www.reidlifting.com))

## Fall Protection Standards

- Certified to EN795:2012 Type B & supplied under PPE Regulation 2016/425
- Notified Body Witness tested to the requirements of PD CEN/TS16415:2013 for 3 persons
- Exceeds the requirements of IRATA ICOP & BS7985 (15kN MBL)

## Materials & Finishes

- Frame and beam - 6082 T6 Aluminium alloy. Anodised.
- Castors - Steel. Bright Zinc Plated.
- Castor Wheels & Rollers - Nylon & Polyurethane
- Fixings - Steel. Grade 12:9. Bright Zinc Plated.

Note: Masterlink Trolley shown in system as a reference



Approved

DO NOT SCALE DRAWING

REVISION

02



Reid Lifting Limited. Unit 1  
Wyeview, Newhouse Farm Ind. Est.,  
Chepstow, Monmouthshire.  
NP16 6UD, UK

Tel +44(0)1291 620796  
Fax: +44(0)1291 626490

[www.reidlifting.com](http://www.reidlifting.com)

[enquiries@reidlifting.com](mailto:enquiries@reidlifting.com)

	NAME	DATE
DRAWN	TB	18/05/2021
CHK'D		
APPR'D	CM	09/03/2023

UNLESS OTHERWISE SPECIFIED:  
DIMENSIONS ARE IN MILLIMETERS

ALL COPYRIGHT AND DESIGN RIGHT SUBSISTING IN THIS DOCUMENT IS THE PROPERTY OF REID LIFTING LIMITED AND MAY NOT BE REPRODUCED WITHOUT REID LIFTING'S CONSENT. THIS DOCUMENT AND THE INFORMATION CONTAINED WITHIN IT IS CONFIDENTIAL AND MAY NOT BE DISCLOSED TO ANY THIRD PARTY NOR USED FOR ANY UNAUTHORIZED PURPOSE WITHOUT REID LIFTING'S CONSENT



TITLE: **General Arrangement of REID Lifting Porta-Gantry Size: Small - WLL500kg 5500mm Beam**

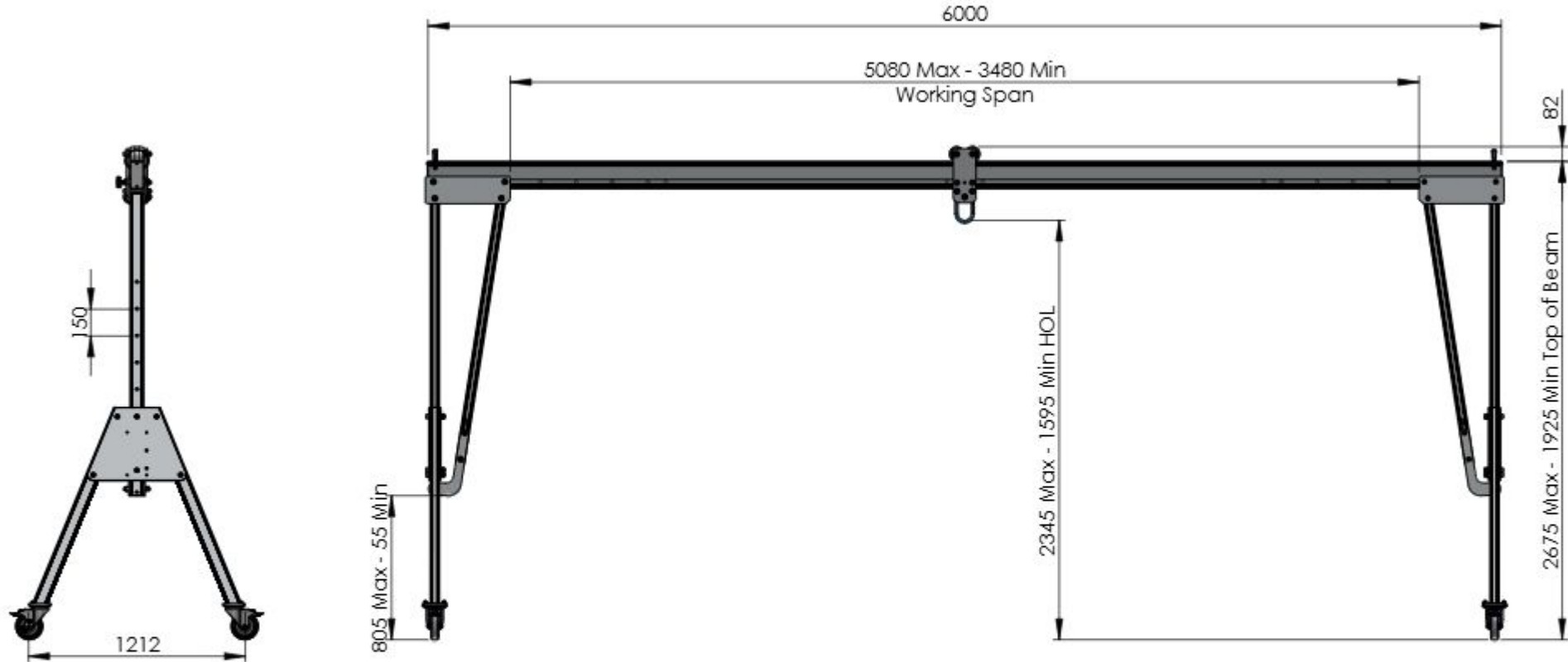
DWG NO. **PGSS00500S-5500A**

A4

Estimated Weight: 104 kg

1:35

SHEET 2 OF 2



DO NOT SCALE DRAWING

REVISION **02**



Reid Lifting Limited. Unit 1  
Wyeview, Newhouse Farm Ind. Est.,  
Chepstow, Monmouthshire.  
NP16 6UD, UK

Tel +44(0) 1291 620796  
Fax +44(0) 1291 626490

[www.reidlifting.com](http://www.reidlifting.com)

[enquiries@reidlifting.com](mailto:enquiries@reidlifting.com)

	NAME	DATE	FINISH:
DRAWN	TB	18/05/2021	Anodised
CHK'D			MATERIAL:
APPR'D	CM	09/03/2023	Aluminium Alloy
<small>ALL COPYRIGHT AND DESIGN RIGHT SUBSISTING IN THIS DOCUMENT IS THE PROPERTY OF REID LIFTING LIMITED AND MAY NOT BE REPRODUCED WITHOUT REID LIFTING'S CONSENT. THIS DOCUMENT AND THE INFORMATION CONTAINED WITHIN IT IS CONFIDENTIAL AND MAY NOT BE DISCLOSED TO ANY THIRD PARTY NOR USED FOR ANY UNAUTHORISED PURPOSE WITHOUT REID LIFTING'S CONSENT</small>			
<small>UNLESS OTHERWISE SPECIFIED: DIMENSIONS ARE IN MILLIMETERS</small>			



TITLE: **General Arrangement of REID Lifting Porta-Gantry Size: Small - WLL500kg 6000mm Beam**

DWG NO. **PGSS00500S-6000A**

A4

Estimated Weight: 108 kg

1:35

SHEET 1 OF 2

## General Specification

- Maximum rated capacity for goods lifting - 500kg
- Maximum rated capacity for personnel lifting - 250kg
- Beam deflection at maximum rated capacity of 500kg - 25-35 mm at centre of span
- Maximum castor surface pressure at full load - 15.02 MPa
- Assembled gantry weight (excluding trollies) - 108kg
- All welding to BS EN ISO 15614-2: 2005 by certified welders.
- For further details and assembly information refer to Operations and Maintenance Manual for Porta Gantry Product. (available at [www.reidlifting.com](http://www.reidlifting.com))

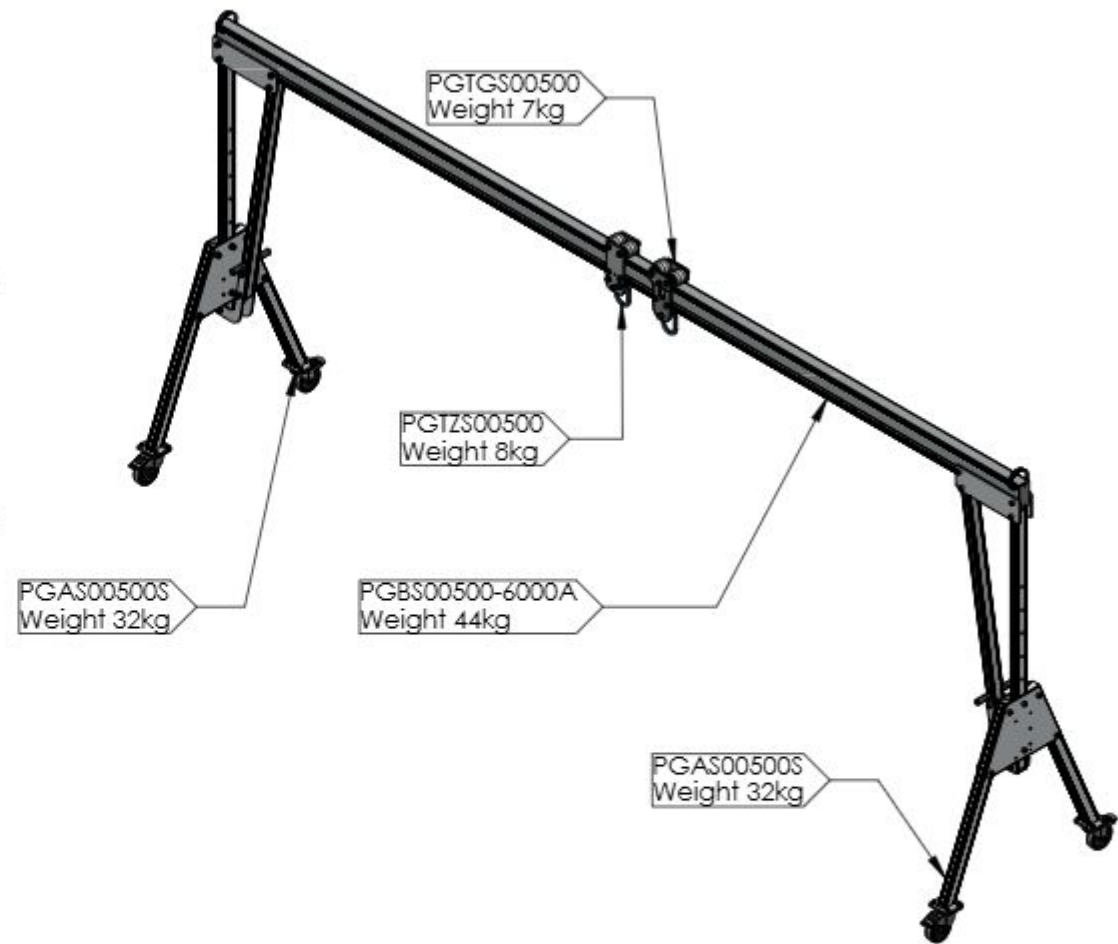
## Fall Protection Standards

- Certified to EN795:2012 Type B & supplied under PPE Regulation 2016/425
- Notified Body Witness tested to the requirements of PD CEN/TS16415:2013 for 3 persons
- Exceeds the requirements of IRATA ICOP & BS7985 (15kN MBL)

## Materials & Finishes

- Frame and beam - 6082 T6 Aluminium alloy. Anodised.
- Castors - Steel. Bright Zinc Plated.
- Castor Wheels & Rollers - Nylon & Polyurethane
- Fixings - Steel. Grade 12:9. Bright Zinc Plated.

Note: Masterlink Trolley shown in system as a reference



Approved

DO NOT SCALE DRAWING

REVISION

02

**REID**  
**LIFTING**

Reid Lifting Limited. Unit 1  
Wyeview, Newhouse Farm Ind. Est.,  
Chepstow, Monmouthshire.  
NP16 6UD, UK

Tel +44(0)1291 620796  
Fax: +44(0)1291 626490

[www.reidlifting.com](http://www.reidlifting.com)

[enquiries@reidlifting.com](mailto:enquiries@reidlifting.com)

	NAME	DATE
DRAWN	TB	18/05/2021
CHK'D		
APPR'D	CM	09/03/2023

UNLESS OTHERWISE SPECIFIED:  
DIMENSIONS ARE IN MILLIMETERS

ALL COPYRIGHT AND DESIGN RIGHT SUBSISTING IN THIS DOCUMENT IS THE PROPERTY OF REID LIFTING LIMITED AND MAY NOT BE REPRODUCED WITHOUT REID LIFTING'S CONSENT. THIS DOCUMENT AND THE INFORMATION CONTAINED WITHIN IT IS CONFIDENTIAL AND MAY NOT BE DISCLOSED TO ANY THIRD PARTY NOR USED FOR ANY UNAUTHORISED PURPOSE WITHOUT REID LIFTING'S CONSENT



TITLE: **General Arrangement of REID Lifting Porta-Gantry Size: Small - WLL500kg 6000mm Beam**

DWG NO.

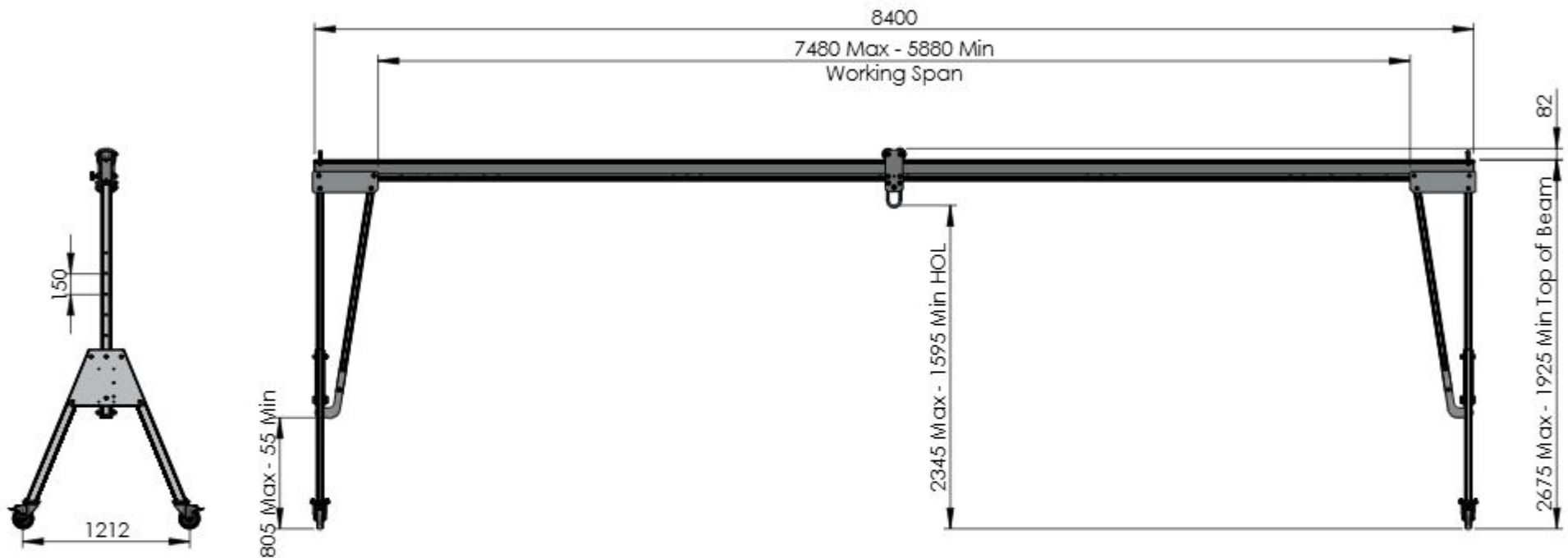
**PGSS00500S-6000A**

A4

Estimated Weight: 108 kg

1:40

SHEET 2 OF 2



DO NOT SCALE DRAWING

REVISION **02**



Reid Lifting Limited. Unit 1  
Wyeview, Newhouse Farm Ind. Est.,  
Chepstow, Monmouthshire.  
NP16 6UD, UK

Tel +44(0) 1291 620796  
Fax +44(0) 1291 626490

[www.reidlifting.com](http://www.reidlifting.com)

[enquiries@reidlifting.com](mailto:enquiries@reidlifting.com)

	NAME	DATE	FINISH:
DRAWN	TB	18/05/2021	Anodised
CHK'D			MATERIAL:
APP'VD	CM	09/03/2023	Aluminium Alloy
<small>ALL COPYRIGHT AND DESIGN RIGHT SUBSISTING IN THIS DOCUMENT IS THE PROPERTY OF REID LIFTING LIMITED AND MAY NOT BE REPRODUCED WITHOUT REID LIFTING'S CONSENT. THIS DOCUMENT AND THE INFORMATION CONTAINED WITHIN IT IS CONFIDENTIAL AND MAY NOT BE DISCLOSED TO ANY THIRD PARTY NOR USED FOR ANY UNAUTHORISED PURPOSE WITHOUT REID LIFTING'S CONSENT</small>			
<small>UNLESS OTHERWISE SPECIFIED: DIMENSIONS ARE IN MILLIMETERS</small>			



TITLE: **General Arrangement of REID Lifting Porta-Gantry Size: Small - WLL500kg 8400mm Beam**

DWG NO. **PGSS00500S-8400A**

A4

Estimated Weight: 125 kg

1:45

SHEET 1 OF 2

## General Specification

- Maximum rated capacity for goods lifting - 500kg
- Maximum rated capacity for personnel lifting - 250kg
- Beam deflection at maximum rated capacity of 500kg - 60-70 mm at centre of span
- Maximum castor surface pressure at full load - 15.26 MPa
- Assembled gantry weight (excluding trollies) - 125kg
- All welding to BS EN ISO 15614-2: 2005 by certified welders.
- For further details and assembly information refer to Operations and Maintenance Manual for Porta Gantry Product. (available at [www.reidlifting.com](http://www.reidlifting.com))

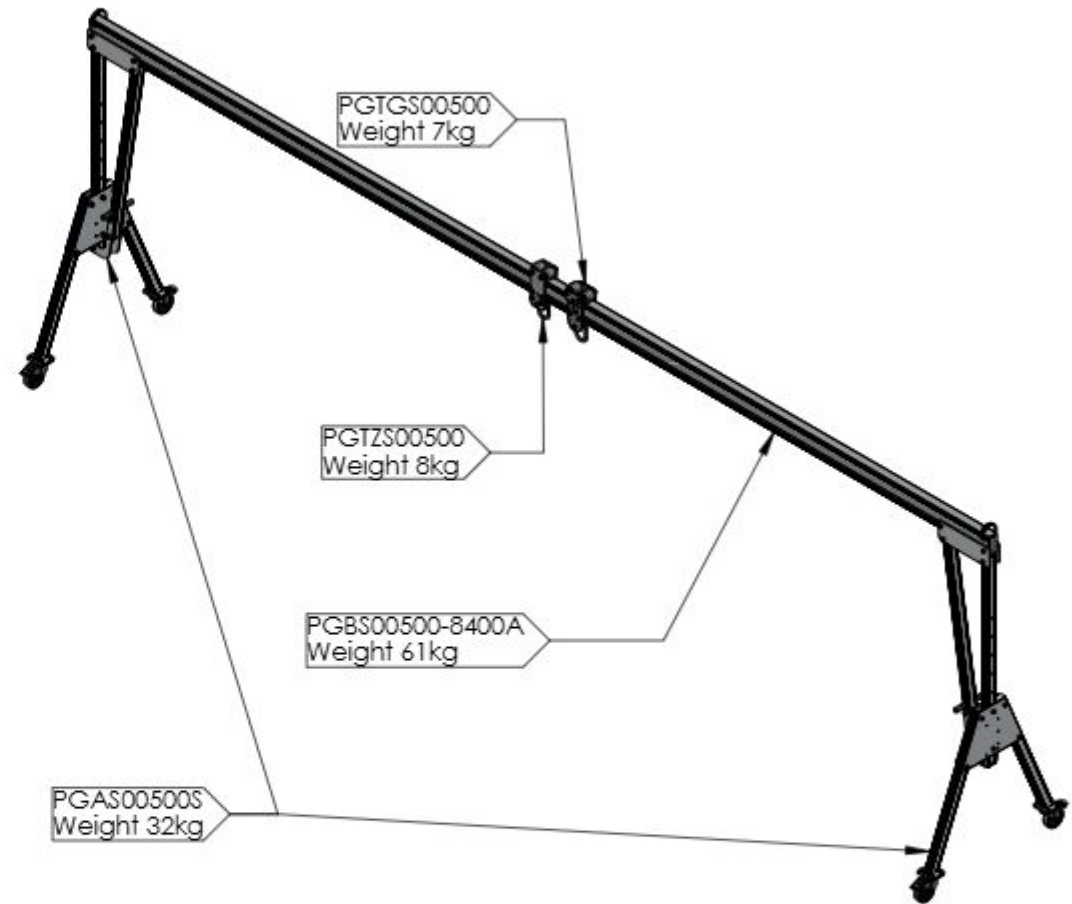
## Fall Protection Standards

- Certified to EN795:2012 Type B & supplied under PPE Regulation 2016/425
- Notified Body Witness tested to the requirements of PD CEN/TS16415:2013 for 3 persons
- Exceeds the requirements of IRATA ICOP & BS7985 (15kN MBL)

## Materials & Finishes

- Frame and beam - 6082 T6 Aluminium alloy. Anodised.
- Castors - Steel. Bright Zinc Plated.
- Castor Wheels & Rollers - Nylon & Polyurethane
- Fixings - Steel. Grade 12:9. Bright Zinc Plated.

Note: Masterlink Trolley shown in system as a reference



Approved

DO NOT SCALE DRAWING

REVISION

02



Reid Lifting Limited. Unit 1  
Wyeview, Newhouse Farm Ind. Est.,  
Chepstow, Monmouthshire.  
NP16 6UD, UK

Tel +44(0)1291 620796  
Fax: +44(0)1291 626490

[www.reidlifting.com](http://www.reidlifting.com)

[enquiries@reidlifting.com](mailto:enquiries@reidlifting.com)

	NAME	DATE
DRAWN	TB	18/05/2021
CHK'D		
APPR'D	CM	09/03/2023

UNLESS OTHERWISE SPECIFIED:  
DIMENSIONS ARE IN MILLIMETERS

ALL COPYRIGHT AND DESIGN RIGHT SUBSISTING IN THIS DOCUMENT IS THE PROPERTY OF REID LIFTING LIMITED AND MAY NOT BE REPRODUCED WITHOUT REID LIFTING'S CONSENT. THIS DOCUMENT AND THE INFORMATION CONTAINED WITHIN IT IS CONFIDENTIAL AND MAY NOT BE DISCLOSED TO ANY THIRD PARTY NOR USED FOR ANY UNAUTHORIZED PURPOSE WITHOUT REID LIFTING'S CONSENT



TITLE: **General Arrangement of REID Lifting Porta-Gantry Size: Small - WLL500kg 8400mm Beam**

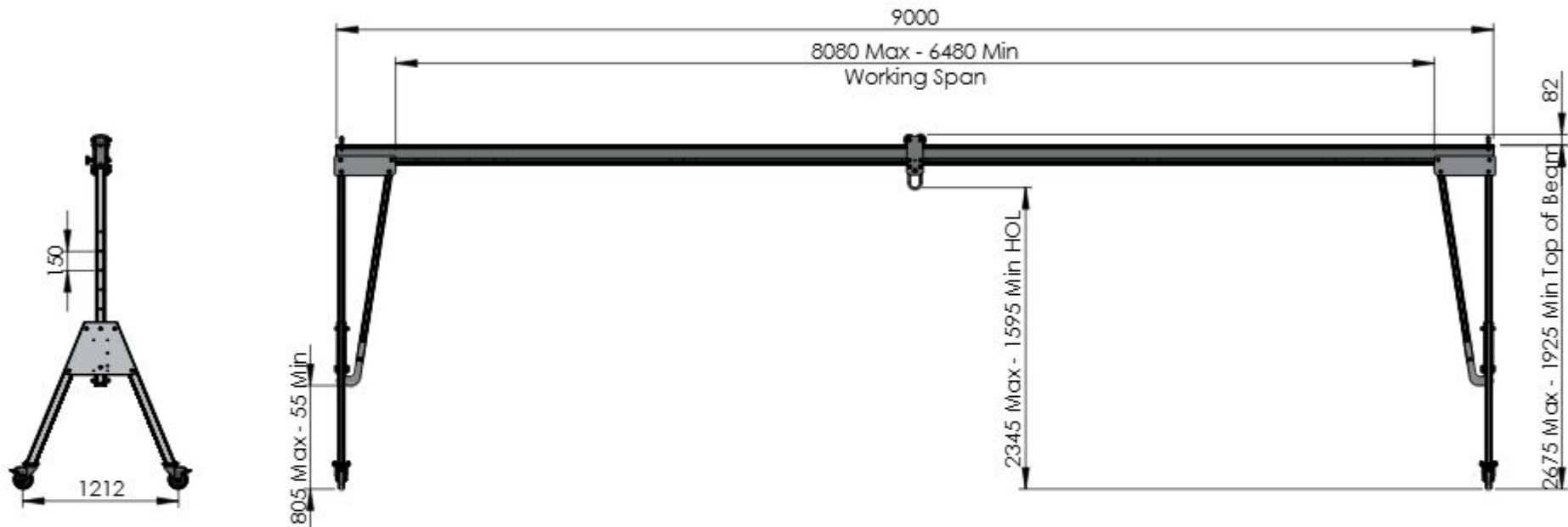
DWG NO. **PGSS00500S-8400A**

A4

Estimated Weight: 125 kg

1:50

SHEET 2 OF 2



DO NOT SCALE DRAWING

REVISION **02**



Reid Lifting Limited. Unit 1  
Wyeview, Newhouse Farm Ind. Est.,  
Chepstow, Monmouthshire.  
NP16 6UD, UK

Tel +44(0) 1291 620796  
Fax +44(0) 1291 626490

[www.reidlifting.com](http://www.reidlifting.com)

[enquiries@reidlifting.com](mailto:enquiries@reidlifting.com)

	NAME	DATE	FINISH:
DRAWN	TB	18/05/2021	Anodised
CHK'D			MATERIAL:
APPR'D	CM	09/03/2023	Aluminium Alloy
<small>ALL COPYRIGHT AND DESIGN RIGHT SUBSISTING IN THIS DOCUMENT IS THE PROPERTY OF REID LIFTING LIMITED AND MAY NOT BE REPRODUCED WITHOUT REID LIFTING'S CONSENT. THIS DOCUMENT AND THE INFORMATION CONTAINED WITHIN IT IS CONFIDENTIAL AND MAY NOT BE DISCLOSED TO ANY THIRD PARTY NOR USED FOR ANY UNAUTHORISED PURPOSE WITHOUT REID LIFTING'S CONSENT</small>			
<small>UNLESS OTHERWISE SPECIFIED: DIMENSIONS ARE IN MILLIMETERS</small>			



TITLE: **General Arrangement of REID Lifting Porta-Gantry Size: Small - WLL500kg 9000mm Beam**

DWG NO. **PGSS00500S-9000A**

A4

Estimated Weight: 130 kg

1:50

SHEET 1 OF 2

## General Specification

- Maximum rated capacity for goods lifting - 500kg
- Maximum rated capacity for personnel lifting - 250kg
- Beam deflection at maximum rated capacity of 500kg - 80-90 mm at centre of span
- Maximum castor surface pressure at full load - 15.32 MPa
- Assembled gantry weight (excluding trollies) - 130kg
- All welding to BS EN ISO 15614-2: 2005 by certified welders.
- For further details and assembly information refer to Operations and Maintenance Manual for Porta Gantry Product. (available at [www.reidlifting.com](http://www.reidlifting.com))

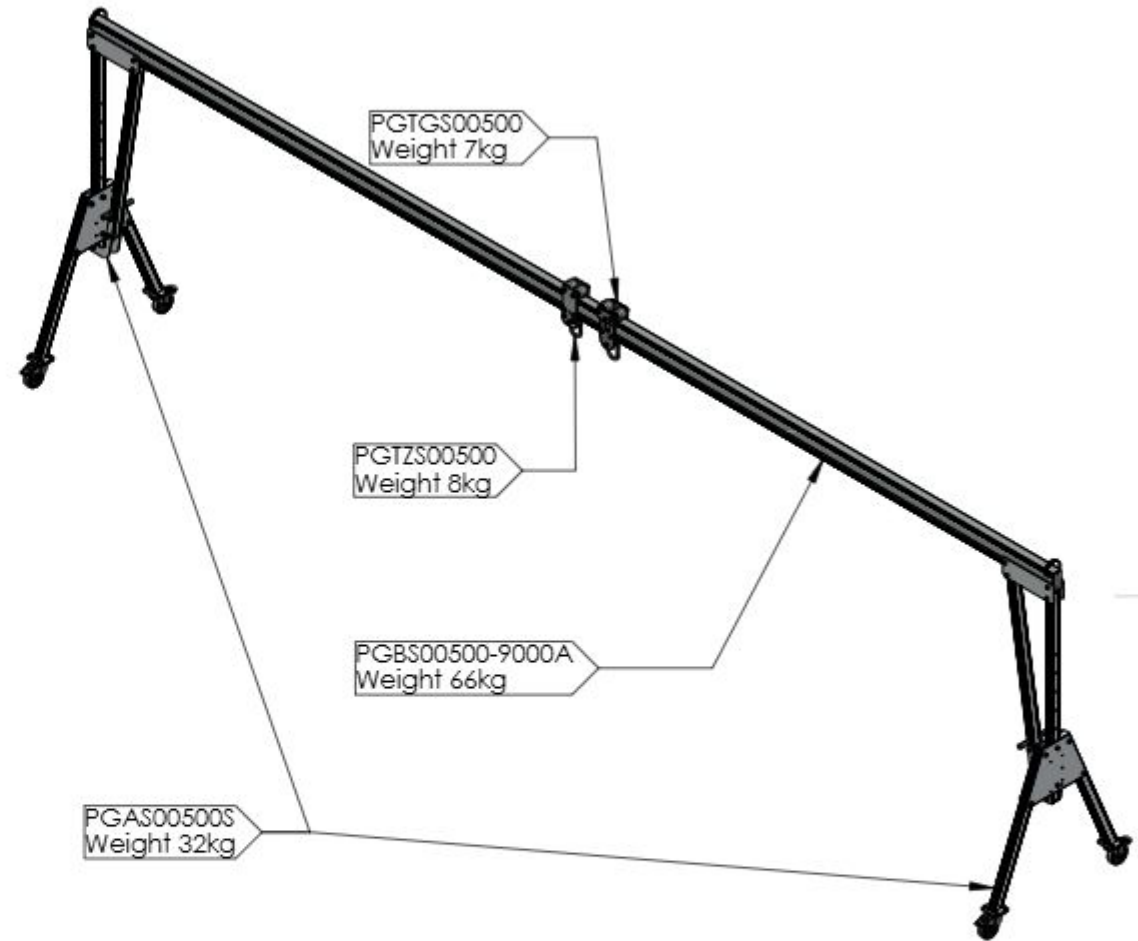
## Fall Protection Standards

- Certified to EN795:2012 Type B & supplied under PPE Regulation 2016/425
- Notified Body Witness tested to the requirements of PD CEN/TS16415:2013 for 3 persons
- Exceeds the requirements of IRATA ICOP & BS7985 (15kN MBL)

## Materials & Finishes

- Frame and beam - 6082 T6 Aluminium alloy. Anodised.
- Castors - Steel. Bright Zinc Plated.
- Castor Wheels & Rollers - Nylon & Polyurethane
- Fixings - Steel. Grade 12:9. Bright Zinc Plated.

Note: Masterlink Trolley shown in system as a reference



Approved

DO NOT SCALE DRAWING

REVISION **02**



Reid Lifting Limited. Unit 1  
Wyeview, Newhouse Farm Ind. Est.,  
Chepstow, Monmouthshire.  
NP16 6UD, UK

Tel +44(0)1291 620796  
Fax: +44(0)1291 626490

[www.reidlifting.com](http://www.reidlifting.com)

[enquiries@reidlifting.com](mailto:enquiries@reidlifting.com)

	NAME	DATE
DRAWN	TB	18/05/2021
CHK'D		
APPROV'D	CM	09/03/2023

UNLESS OTHERWISE SPECIFIED:  
DIMENSIONS ARE IN MILLIMETERS

ALL COPYRIGHT AND DESIGN RIGHT SUBSISTING IN THIS DOCUMENT IS THE PROPERTY OF REID LIFTING LIMITED AND MAY NOT BE REPRODUCED WITHOUT REID LIFTING'S CONSENT. THIS DOCUMENT AND THE INFORMATION CONTAINED WITHIN IT IS CONFIDENTIAL AND MAY NOT BE DISCLOSED TO ANY THIRD PARTY NOR USED FOR ANY UNAUTHORISED PURPOSE WITHOUT REID LIFTING'S CONSENT



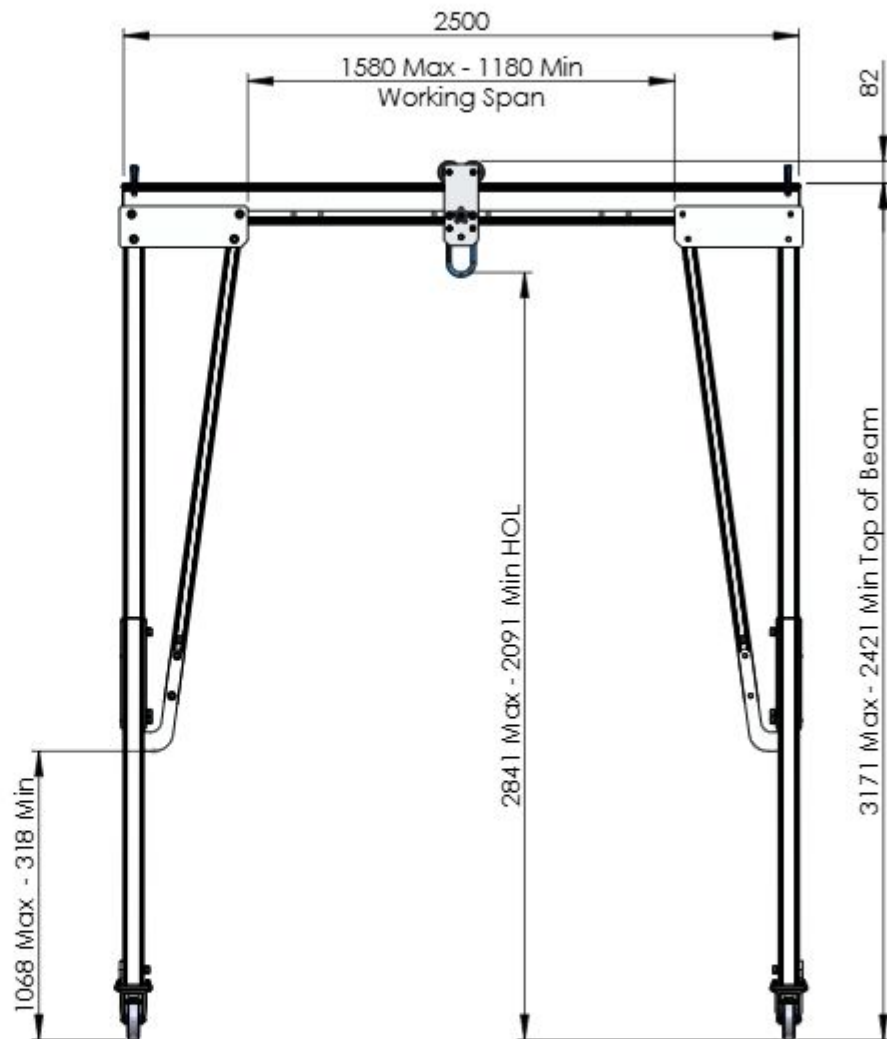
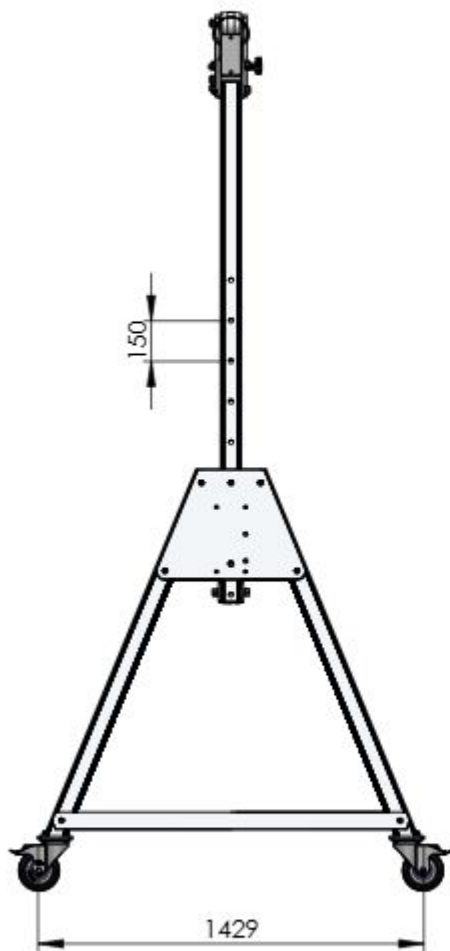
TITLE: **General Arrangement of REID Lifting Porta-Gantry Size: Small - WLL500kg 9000mm Beam**

DWG NO. **PGSS00500S-9000A** A4

Estimated Weight: 130 kg 1:50 SHEET 2 OF 2



To ensure stability of the structure, the working span of the beam must be equal to or greater than the distance between the castors on the A-frame



DO NOT SCALE DRAWING

REVISION **03**



Reid Lifting Limited. Unit 1  
Wyeview, Newhouse Farm Ind. Est.,  
Chepstow, Monmouthshire.  
NP16 6UD, UK

Tel +44(0) 1291 620796  
Fax +44(0) 1291 626490

[www.reidlifting.com](http://www.reidlifting.com)

[enquiries@reidlifting.com](mailto:enquiries@reidlifting.com)

	NAME	DATE	FINISH:
DRAWN	BJ	26/10/2020	Anodised
CHK'D			MATERIAL:
APPR'D	CM	09/03/2023	Aluminium Alloy
<small>ALL COPYRIGHT AND DESIGN RIGHT SUBSISTING IN THIS DOCUMENT IS THE PROPERTY OF REID LIFTING LIMITED AND MAY NOT BE REPRODUCED WITHOUT REID LIFTING'S CONSENT. THIS DOCUMENT AND THE INFORMATION CONTAINED WITHIN IT IS CONFIDENTIAL AND MAY NOT BE DISCLOSED TO ANY THIRD PARTY NOR USED FOR ANY UNAUTHORISED PURPOSE WITHOUT REID LIFTING'S CONSENT</small>			
<small>UNLESS OTHERWISE SPECIFIED: DIMENSIONS ARE IN MILLIMETERS</small>			



TITLE:

**General Arrangement of REID  
Lifting Porta-Gantry Size Medium  
- 2500mm Beam WLL500kg**

DWG NO.

**PGSS00500M-2500A**

A4

Estimated Weight: 102 kg

1:28

SHEET 1 OF 2

## General Specification

- Maximum rated capacity for goods lifting - 500kg
- Maximum rated capacity for personnel lifting - 250kg
- Beam deflection at maximum rated capacity of 500kg - 0-5mm at centre of span
- Maximum castor surface pressure at full load - 14.95 Mpa
- Assembled gantry weight (excluding trollies) - 102kg
- All welding to BS EN ISO 15614-2: 2005 by certified welders.
- For further details and assembly information refer to Operations and Maintenance Manual for Porta Gantry Product. (available at [www.reidlifting.com](http://www.reidlifting.com))

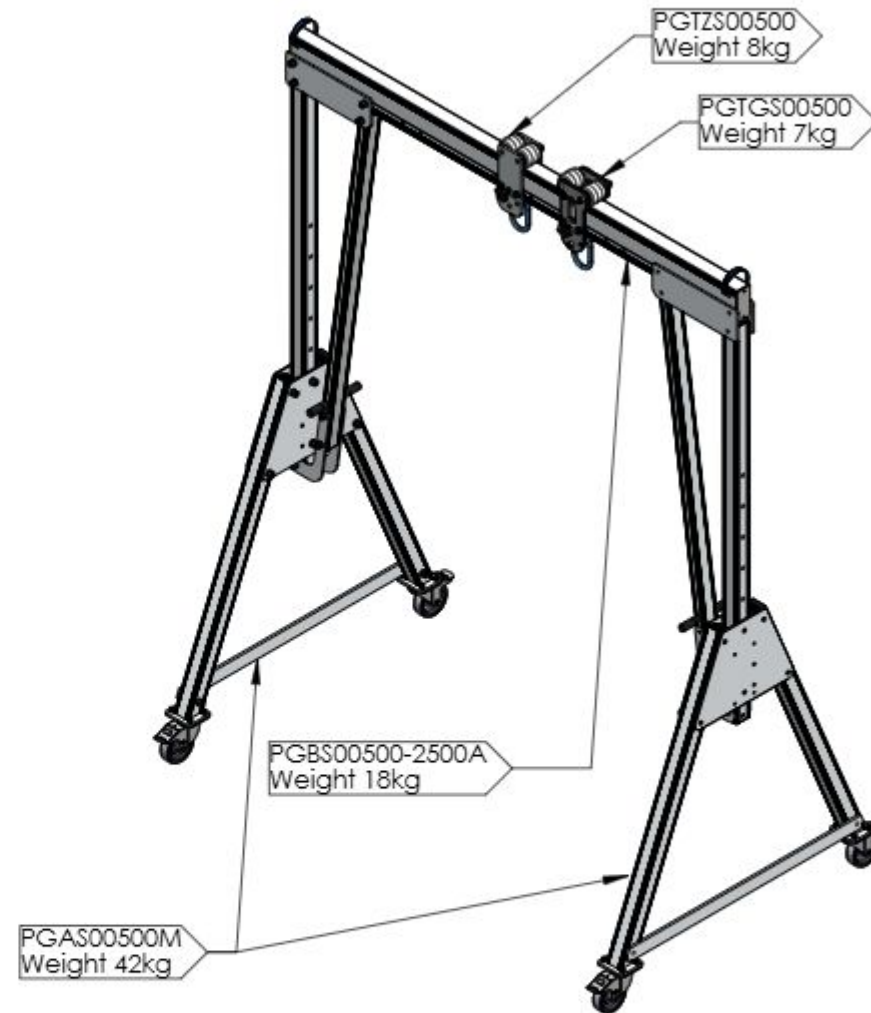
## Fall Protection Standards

- Certified to EN795:2012 Type B & supplied under PPE Regulation 2016/425
- Notified Body Witness tested to the requirements of PD CEN/TS16415:2013 for 3 persons
- Exceeds the requirements of IRATA ICOP & BS7985 (15kN MBL)
- Tested to and meets the requirements of ANSI Z359.18.2017 for 2 persons.

## Materials & Finishes

- Frame and beam - 6082 T6 Aluminium alloy. Anodised.
- Castors - Steel. Bright Zinc Plated.
- Castor Wheels & Rollers - Nylon & Polyurethane
- Fixings - Steel. Grade 12.9. Bright Zinc Plated.

Note: Master Link Trolleys shown in system as a reference



Approved

DO NOT SCALE DRAWING

REVISION **03**



Reid Lifting Limited. Unit 1  
Wyeview, Newhouse Farm Ind. Est.,  
Chepstow, Monmouthshire.  
NP16 6UD, UK

Tel +44(0)1291 620796  
Fax: +44(0)1291 626490

[www.reidlifting.com](http://www.reidlifting.com)

[enquiries@reidlifting.com](mailto:enquiries@reidlifting.com)

	NAME	DATE
DRAWN	BJ	26/10/2020
CHK'D		
APPR'D	CM	09/03/2023

UNLESS OTHERWISE SPECIFIED:  
DIMENSIONS ARE IN MILLIMETERS

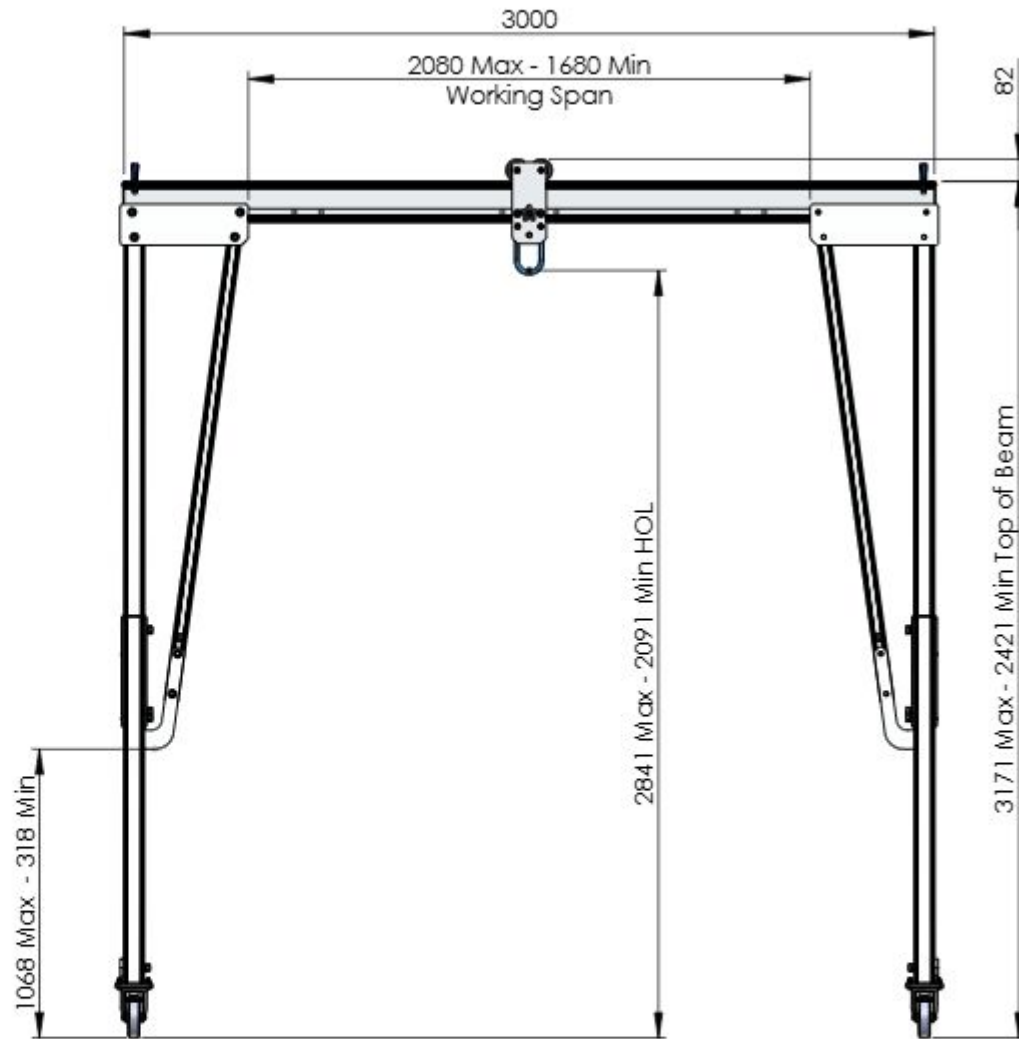
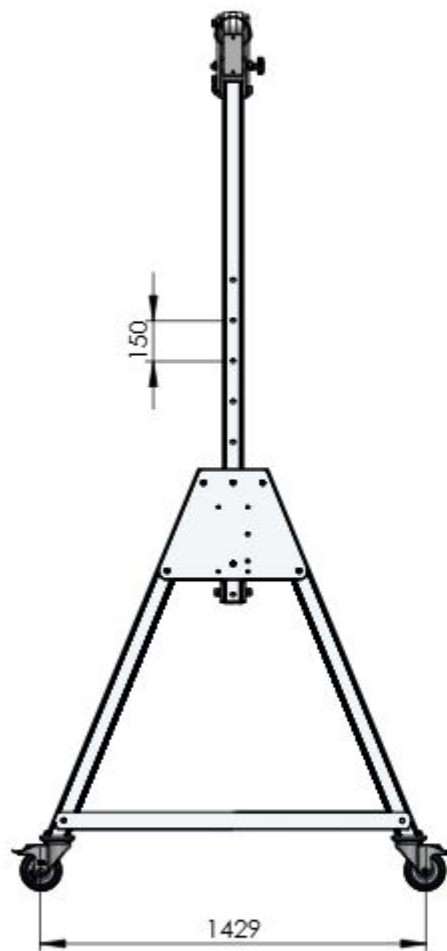
ALL COPYRIGHT AND DESIGN RIGHT SUBSISTING IN THIS DOCUMENT IS THE PROPERTY OF REID LIFTING LIMITED AND MAY NOT BE REPRODUCED WITHOUT REID LIFTING'S CONSENT. THIS DOCUMENT AND THE INFORMATION CONTAINED WITHIN IT IS CONFIDENTIAL AND MAY NOT BE DISCLOSED TO ANY THIRD PARTY NOR USED FOR ANY UNAUTHORIZED PURPOSE WITHOUT REID LIFTING'S CONSENT



TITLE: **General Arrangement of REID Lifting Porta-Gantry Size Medium - 2500mm Beam WLL500kg**

DWG NO. **PGSS00500M-2500A** **A4**

Estimated Weight: 102 kg 1:30 SHEET 2 OF 2



DO NOT SCALE DRAWING

REVISION **02**



Reid Lifting Limited. Unit 1  
Wyeview, Newhouse Farm Ind. Est.,  
Chepstow, Monmouthshire.  
NP16 6UD, UK

Tel +44(0) 1291 620796  
Fax +44(0) 1291 626490

[www.reidlifting.com](http://www.reidlifting.com)

[enquiries@reidlifting.com](mailto:enquiries@reidlifting.com)

	NAME	DATE	FINISH:
DRAWN	TB	25/05/2021	Anodised
CHK'D			MATERIAL:
APPR'D	CM	09/03/2023	Aluminium Alloy
<small>ALL COPYRIGHT AND DESIGN RIGHT SUBSISTING IN THIS DOCUMENT IS THE PROPERTY OF REID LIFTING LIMITED AND MAY NOT BE REPRODUCED WITHOUT REID LIFTING'S CONSENT. THIS DOCUMENT AND THE INFORMATION CONTAINED WITHIN IT IS CONFIDENTIAL AND MAY NOT BE DISCLOSED TO ANY THIRD PARTY NOR USED FOR ANY UNAUTHORISED PURPOSE WITHOUT REID LIFTING'S CONSENT</small>			
<small>UNLESS OTHERWISE SPECIFIED: DIMENSIONS ARE IN MILLIMETERS</small>			

TITLE:

**General Arrangement of REID  
Lifting Porta-Gantry Size Medium  
- 3000mm Beam WLL500kg**

DWG NO.

**PGSS00500M-3000A**

A4

Estimated Weight: 106 kg

1:28

SHEET 1 OF 2

## General Specification

- Maximum rated capacity for goods lifting - 500kg
- Maximum rated capacity for personnel lifting - 250kg
- Beam deflection at maximum rated capacity of 500kg - 0-5mm at centre of span
- Maximum castor surface pressure at full load - 15.00 Mpa
- Assembled gantry weight (excluding trollies) - 106kg
- All welding to BS EN ISO 15614-2: 2005 by certified welders.
- For further details and assembly information refer to Operations and Maintenance Manual for Porta Gantry Product. (available at [www.reidlifting.com](http://www.reidlifting.com))

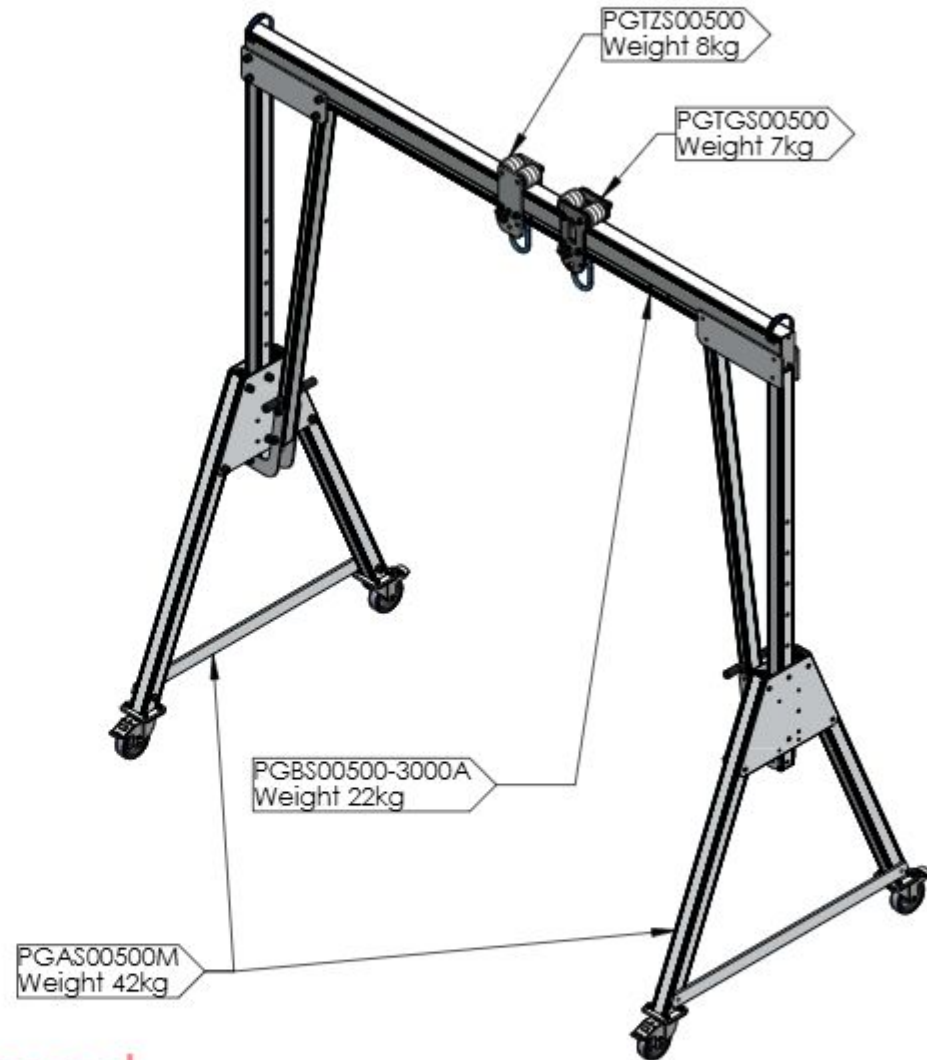
## Fall Protection Standards

- Certified to EN795:2012 Type B & supplied under PPE Regulation 2016/425
- Notified Body Witness tested to the requirements of PD CEN/TS16415:2013 for 3 persons
- Exceeds the requirements of IRATA ICOP & BS7985 (15kN MBL)
- Tested to and meets the requirements of ANSI Z359.18.2017 for 2 persons.

## Materials & Finishes

- Frame and beam - 6082 T6 Aluminium alloy. Anodised.
- Castors - Steel. Bright Zinc Plated.
- Castor Wheels & Rollers - Nylon & Polyurethane
- Fixings - Steel. Grade 12.9. Bright Zinc Plated.

Note: Master Link Trolleys shown in system as a reference



Approved

DO NOT SCALE DRAWING

REVISION **02**

**REID**  
**LIFTING**

[www.reidlifting.com](http://www.reidlifting.com)

Reid Lifting Limited. Unit 1  
Wyeview, Newhouse Farm Ind. Est.,  
Chepstow, Monmouthshire.  
NP16 6UD, UK

Tel +44(0)1291 620796  
Fax: +44(0)1291 626490

[enquiries@reidlifting.com](mailto:enquiries@reidlifting.com)

	NAME	DATE
DRAWN	TB	25/05/2021
CHK'D		
APPR'D	CM	09/03/2023

UNLESS OTHERWISE SPECIFIED:  
DIMENSIONS ARE IN MILLIMETERS

ALL COPYRIGHT AND DESIGN RIGHT SUBSISTING IN THIS DOCUMENT IS THE PROPERTY OF REID LIFTING LIMITED AND MAY NOT BE REPRODUCED WITHOUT REID LIFTING'S CONSENT. THIS DOCUMENT AND THE INFORMATION CONTAINED WITHIN IT IS CONFIDENTIAL AND MAY NOT BE DISCLOSED TO ANY THIRD PARTY NOR USED FOR ANY UNAUTHORISED PURPOSE WITHOUT REID LIFTING'S CONSENT



TITLE: **General Arrangement of REID Lifting Porta-Gantry Size Medium - 3000mm Beam WLL500kg**

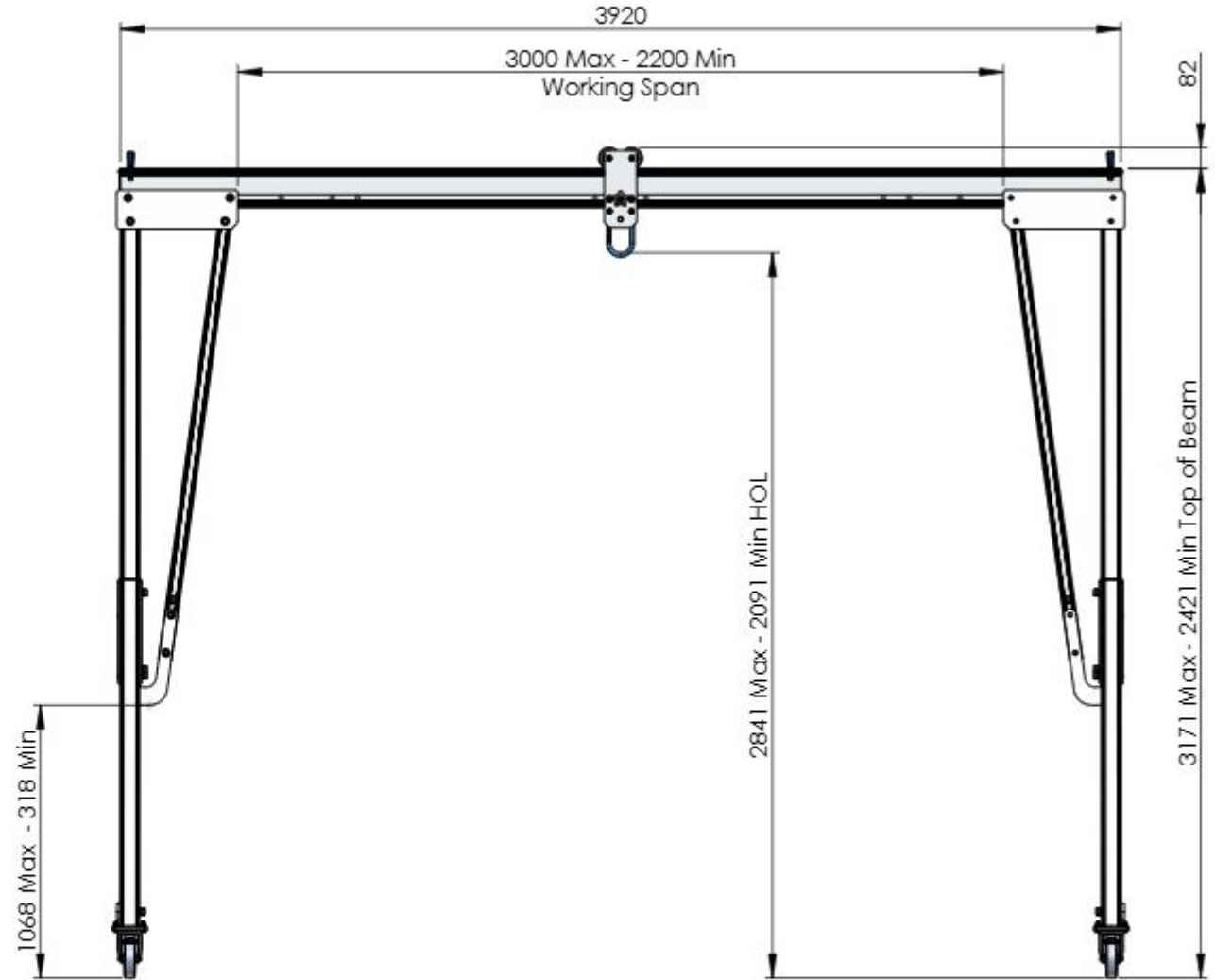
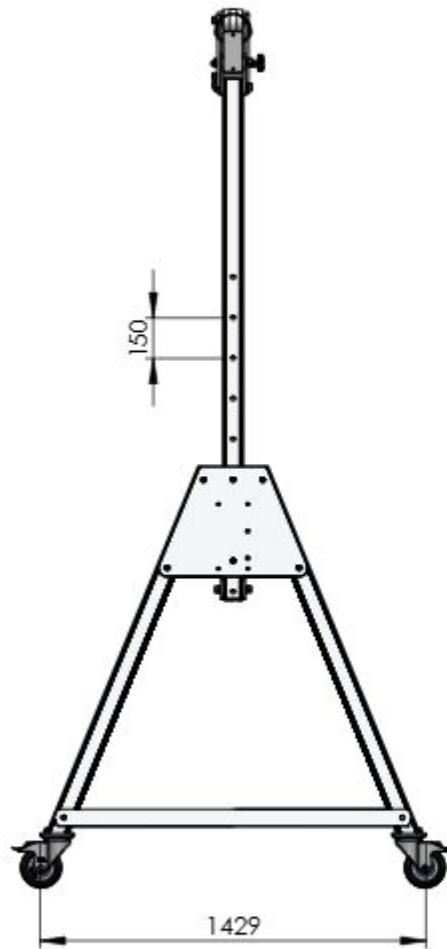
DWG NO. **PGSS00500M-3000A**

A4

Estimated Weight: 106 kg

1:30

SHEET 2 OF 2



DO NOT SCALE DRAWING

REVISION **02**



Reid Lifting Limited. Unit 1  
Wyeview, Newhouse Farm Ind. Est.,  
Chepstow, Monmouthshire.  
NP16 6UD, UK

Tel +44(0) 1291 620796  
Fax +44(0) 1291 626490

[www.reidlifting.com](http://www.reidlifting.com)

[enquiries@reidlifting.com](mailto:enquiries@reidlifting.com)

	NAME	DATE	FINISH:
DRAWN	TB	25/05/2021	Anodised
CHK'D			MATERIAL:
APPR'D	CM	09/03/2023	Aluminium Alloy
<small>ALL COPYRIGHT AND DESIGN RIGHT SUBSISTING IN THIS DOCUMENT IS THE PROPERTY OF REID LIFTING LIMITED AND MAY NOT BE REPRODUCED WITHOUT REID LIFTING'S CONSENT. THIS DOCUMENT AND THE INFORMATION CONTAINED WITHIN IT IS CONFIDENTIAL AND MAY NOT BE DISCLOSED TO ANY THIRD PARTY NOR USED FOR ANY UNAUTHORISED PURPOSE WITHOUT REID LIFTING'S CONSENT</small>			
<small>UNLESS OTHERWISE SPECIFIED: DIMENSIONS ARE IN MILLIMETERS</small>			



TITLE:

**General Arrangement of REID  
Lifting Porta-Gantry Size Medium  
- 3920mm Beam WLL500kg**

DWG NO.

**PGSS00500M-3920A**

A4

Estimated Weight: 113 kg

1:28

SHEET 1 OF 2

## General Specification

- Maximum rated capacity for goods lifting - 500kg
- Maximum rated capacity for personnel lifting - 250kg
- Beam deflection at maximum rated capacity of 500kg - 5-10mm at centre of span
- Maximum castor surface pressure at full load - 15.09 MPa
- Assembled gantry weight (excluding trolleys) - 113kg
- All welding to BS EN ISO 15614-2: 2005 by certified welders.
- For further details and assembly information refer to Operations and Maintenance Manual for Porta Gantry Product. (available at [www.reidlifting.com](http://www.reidlifting.com))

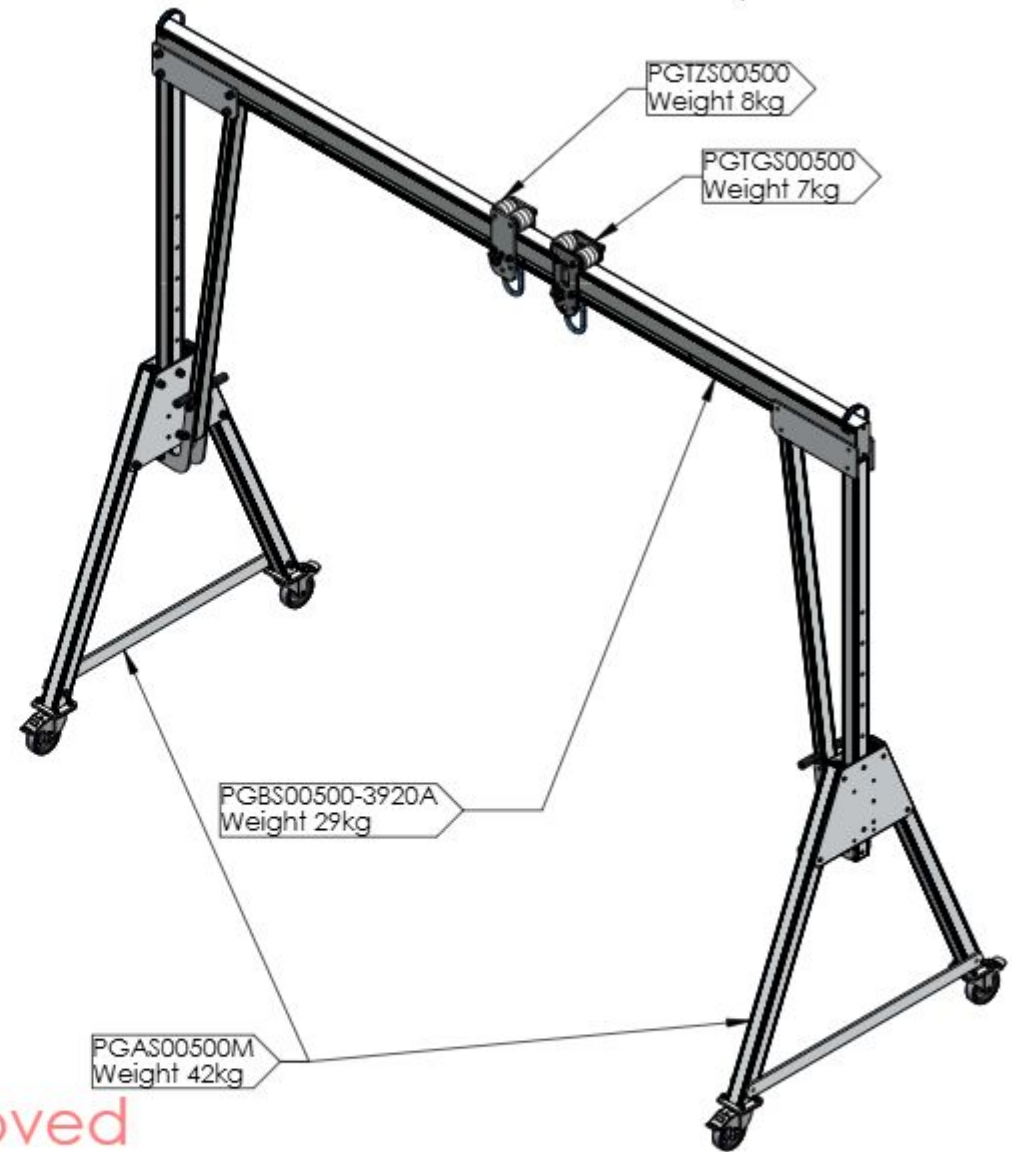
## Fall Protection Standards

- Certified to EN795:2012 Type B & supplied under PPE Regulation 2016/425
- Notified Body Witness tested to the requirements of PD CEN/TS16415:2013 for 3 persons
- Exceeds the requirements of IRATA ICOP & BS7985 (15kN MBL)
- Tested to and meets the requirements of ANSI Z359.18.2017 for 2 persons.

## Materials & Finishes

- Frame and beam - 6082 T6 Aluminium alloy. Anodised.
- Castors - Steel. Bright Zinc Plated.
- Castor Wheels & Rollers - Nylon & Polyurethane
- Fixings - Steel. Grade 12.9. Bright Zinc Plated.

Note: Master Link Trolleys shown in system as a reference



Approved

DO NOT SCALE DRAWING

REVISION **02**



Reid Lifting Limited. Unit 1  
Wyeview, Newhouse Farm Ind. Est.,  
Chepstow, Monmouthshire.  
NP16 6UD, UK

Tel +44(0)1291 620796  
Fax: +44(0)1291 626490

[www.reidlifting.com](http://www.reidlifting.com)

[enquiries@reidlifting.com](mailto:enquiries@reidlifting.com)

	NAME	DATE
DRAWN	TB	25/05/2021
CHK'D		
APPR'D	CM	09/03/2023

UNLESS OTHERWISE SPECIFIED:  
DIMENSIONS ARE IN MILLIMETERS

ALL COPYRIGHT AND DESIGN RIGHT SUBSISTING IN THIS DOCUMENT IS THE PROPERTY OF REID LIFTING LIMITED AND MAY NOT BE REPRODUCED WITHOUT REID LIFTING'S CONSENT. THIS DOCUMENT AND THE INFORMATION CONTAINED WITHIN IT IS CONFIDENTIAL AND MAY NOT BE DISCLOSED TO ANY THIRD PARTY NOR USED FOR ANY UNAUTHORISED PURPOSE WITHOUT REID LIFTING'S CONSENT



TITLE: **General Arrangement of REID Lifting Porta-Gantry Size Medium - 3920mm Beam WLL500kg**

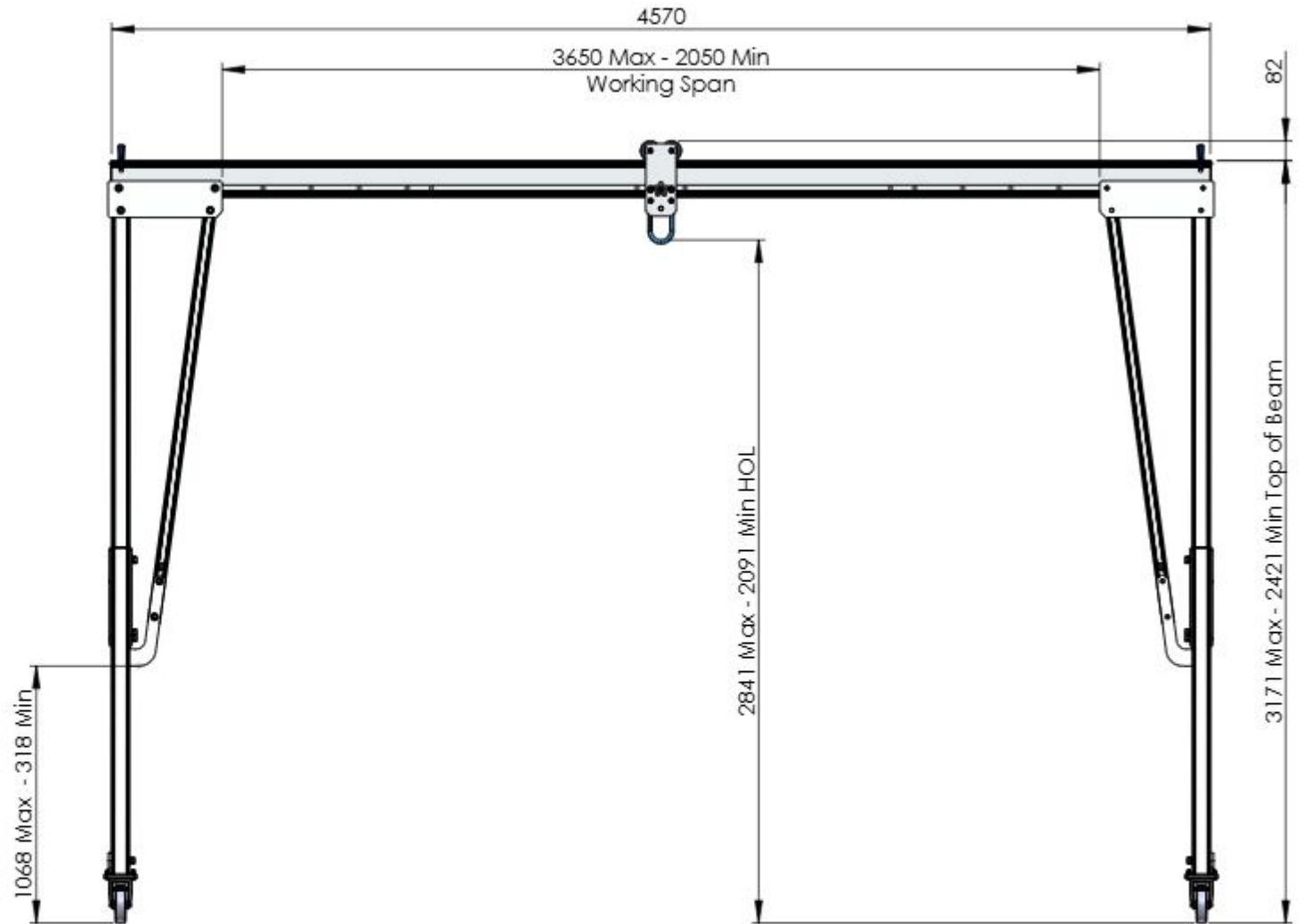
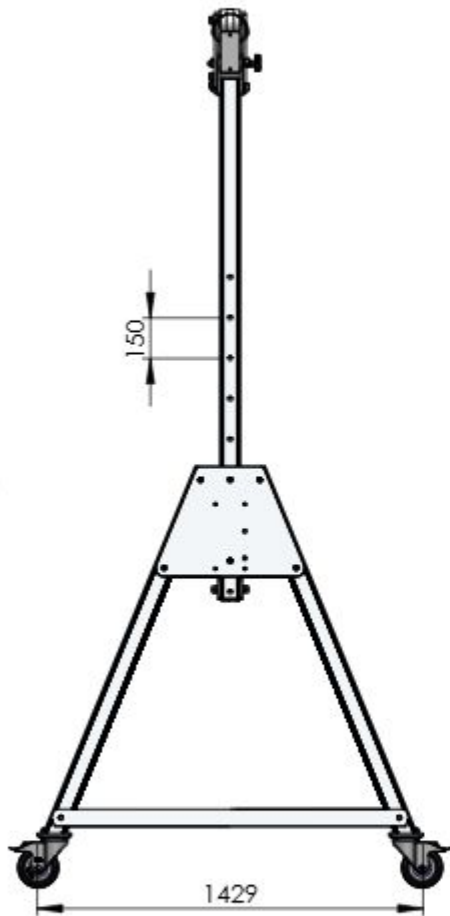
DWG NO. **PGSS00500M-3920A**

A4

Estimated Weight: 113 kg

1:30

SHEET 2 OF 2



DO NOT SCALE DRAWING

REVISION

02

**REID**  
**LIFTING**

Reid Lifting Limited. Unit 1  
Wyeview, Newhouse Farm Ind. Est.,  
Chepstow, Monmouthshire.  
NP16 6UD, UK

Tel +44(0) 1291 620796  
Fax +44(0) 1291 626490

[www.reidlifting.com](http://www.reidlifting.com)

[enquiries@reidlifting.com](mailto:enquiries@reidlifting.com)

	NAME	DATE	FINISH:
DRAWN	TB	25/05/2021	Anodised
CHK'D			MATERIAL:
APPR'D	CM	09/03/2023	Aluminium Alloy
<small>ALL COPYRIGHT AND DESIGN RIGHT SUBSISTING IN THIS DOCUMENT IS THE PROPERTY OF REID LIFTING LIMITED AND MAY NOT BE REPRODUCED WITHOUT REID LIFTING'S CONSENT. THIS DOCUMENT AND THE INFORMATION CONTAINED WITHIN IT IS CONFIDENTIAL AND MAY NOT BE DISCLOSED TO ANY THIRD PARTY NOR USED FOR ANY UNAUTHORISED PURPOSE WITHOUT REID LIFTING'S CONSENT</small>			
<small>UNLESS OTHERWISE SPECIFIED: DIMENSIONS ARE IN MILLIMETERS</small>			



TITLE:

**General Arrangement of REID  
Lifting Porta-Gantry Size Medium  
- 4570mm Beam WLL500kg**

DWG NO.

**PGSS00500M-4570A**

A4

Estimated Weight: 117 kg

1:28

SHEET 1 OF 2

## General Specification

- Maximum rated capacity for goods lifting - 500kg
- Maximum rated capacity for personnel lifting - 250kg
- Beam deflection at maximum rated capacity of 500kg - 10-15mm at centre of span
- Maximum castor surface pressure at full load - 15.15 MPa
- Assembled gantry weight (excluding trollies) - 117kg
- All welding to BS EN ISO 15614-2: 2005 by certified welders.
- For further details and assembly information refer to Operations and Maintenance Manual for Porta Gantry Product. (available at [www.reidlifting.com](http://www.reidlifting.com))

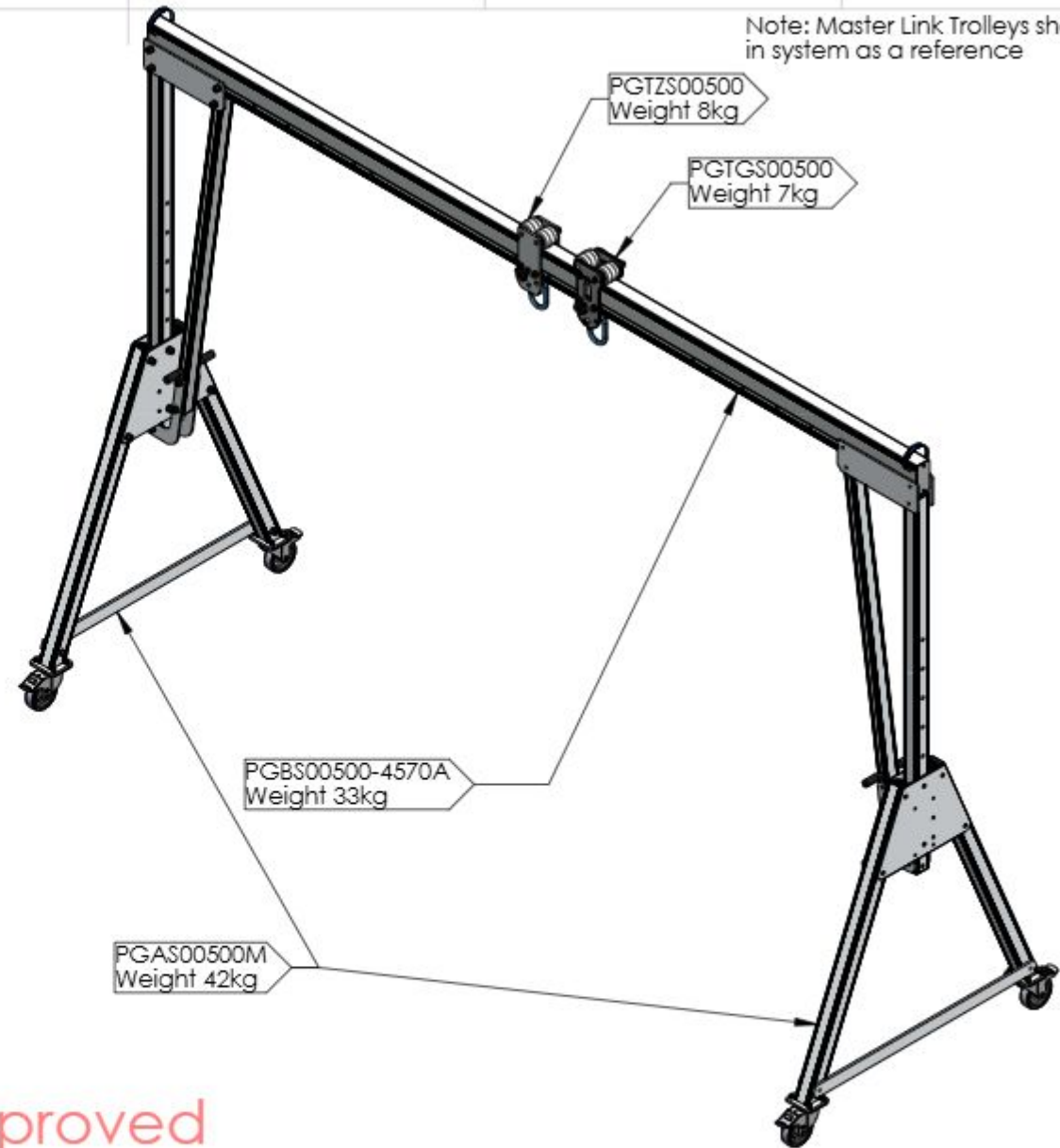
## Fall Protection Standards

- Certified to EN795:2012 Type B & supplied under PPE Regulation 2016/425
- Notified Body Witness tested to the requirements of PD CEN/TS16415:2013 for 3 persons
- Exceeds the requirements of IRATA ICOP & BS7985 (15kN MBL)
- Tested to and meets the requirements of ANSI Z359.18.2017 for 2 persons.

## Materials & Finishes

- Frame and beam - 6082 T6 Aluminium alloy. Anodised.
- Castors - Steel. Bright Zinc Plated.
- Castor Wheels & Rollers - Nylon & Polyurethane
- Fixings - Steel. Grade 12.9. Bright Zinc Plated.

Note: Master Link Trolleys shown in system as a reference



Approved

DO NOT SCALE DRAWING

REVISION **02**



Reid Lifting Limited. Unit 1  
Wyeview, Newhouse Farm Ind. Est.,  
Chepstow, Monmouthshire.  
NP16 6UD, UK

Tel +44(0)1291 620796  
Fax: +44(0)1291 626490

[www.reidlifting.com](http://www.reidlifting.com)

[enquiries@reidlifting.com](mailto:enquiries@reidlifting.com)

	NAME	DATE
DRAWN	TB	25/05/2021
CHK'D		
APP'VD	CM	09/03/2023

UNLESS OTHERWISE SPECIFIED:  
DIMENSIONS ARE IN MILLIMETERS

ALL COPYRIGHT AND DESIGN RIGHT SUBSISTING IN THIS DOCUMENT IS THE PROPERTY OF REID LIFTING LIMITED AND MAY NOT BE REPRODUCED WITHOUT REID LIFTING'S CONSENT. THIS DOCUMENT AND THE INFORMATION CONTAINED WITHIN IT IS CONFIDENTIAL AND MAY NOT BE DISCLOSED TO ANY THIRD PARTY NOR USED FOR ANY UNAUTHORISED PURPOSE WITHOUT REID LIFTING'S CONSENT



TITLE: **General Arrangement of REID Lifting Porta-Gantry Size Medium - 4570mm Beam WLL500kg**

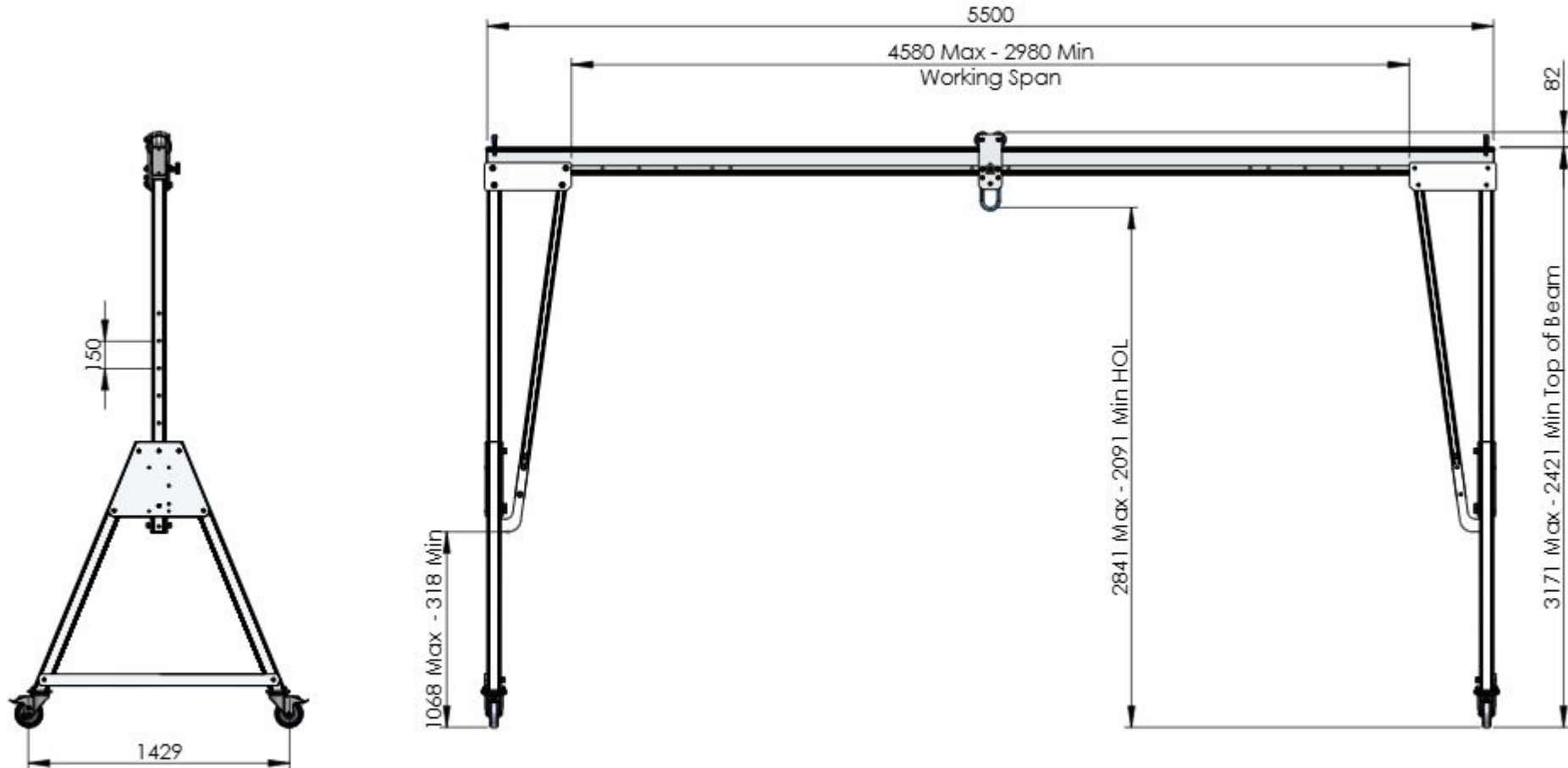
DWG NO. **PGSS00500M-4570A**

A4

Estimated Weight: 117 kg

1:30

SHEET 2 OF 2



DO NOT SCALE DRAWING

REVISION

02



Reid Lifting Limited. Unit 1  
Wyeview, Newhouse Farm Ind. Est.,  
Chepstow, Monmouthshire.  
NP16 6UD, UK

Tel +44(0) 1291 620796  
Fax +44(0) 1291 626490

[www.reidlifting.com](http://www.reidlifting.com)

[enquiries@reidlifting.com](mailto:enquiries@reidlifting.com)

	NAME	DATE	FINISH:
DRAWN	TB	25/05/2021	Anodised
CHK'D			
APPR'D	CM	09/03/2023	MATERIAL: Aluminium Alloy
<small>ALL COPYRIGHT AND DESIGN RIGHT SUBSISTING IN THIS DOCUMENT IS THE PROPERTY OF REID LIFTING LIMITED AND MAY NOT BE REPRODUCED WITHOUT REID LIFTING'S CONSENT. THIS DOCUMENT AND THE INFORMATION CONTAINED WITHIN IT IS CONFIDENTIAL AND MAY NOT BE DISCLOSED TO ANY THIRD PARTY NOR USED FOR ANY UNAUTHORISED PURPOSE WITHOUT REID LIFTING'S CONSENT</small>			
<small>UNLESS OTHERWISE SPECIFIED: DIMENSIONS ARE IN MILLIMETERS</small>			



TITLE:

**General Arrangement of REID  
Lifting Porta-Gantry Size Medium  
- 5500mm Beam WLL500kg**

DWG NO.

**PGSS00500M-5500A**

A4

Estimated Weight: 124 kg

1:35

SHEET 1 OF 2

## General Specification

- Maximum rated capacity for goods lifting - 500kg
- Maximum rated capacity for personnel lifting - 250kg
- Beam deflection at maximum rated capacity of 500kg - 20-30mm at centre of span
- Maximum castor surface pressure at full load - 15.24 MPa
- Assembled gantry weight (excluding trolleys) - 124kg
- All welding to BS EN ISO 15614-2: 2005 by certified welders.
- For further details and assembly information refer to Operations and Maintenance Manual for Porta Gantry Product. (available at [www.reidlifting.com](http://www.reidlifting.com))

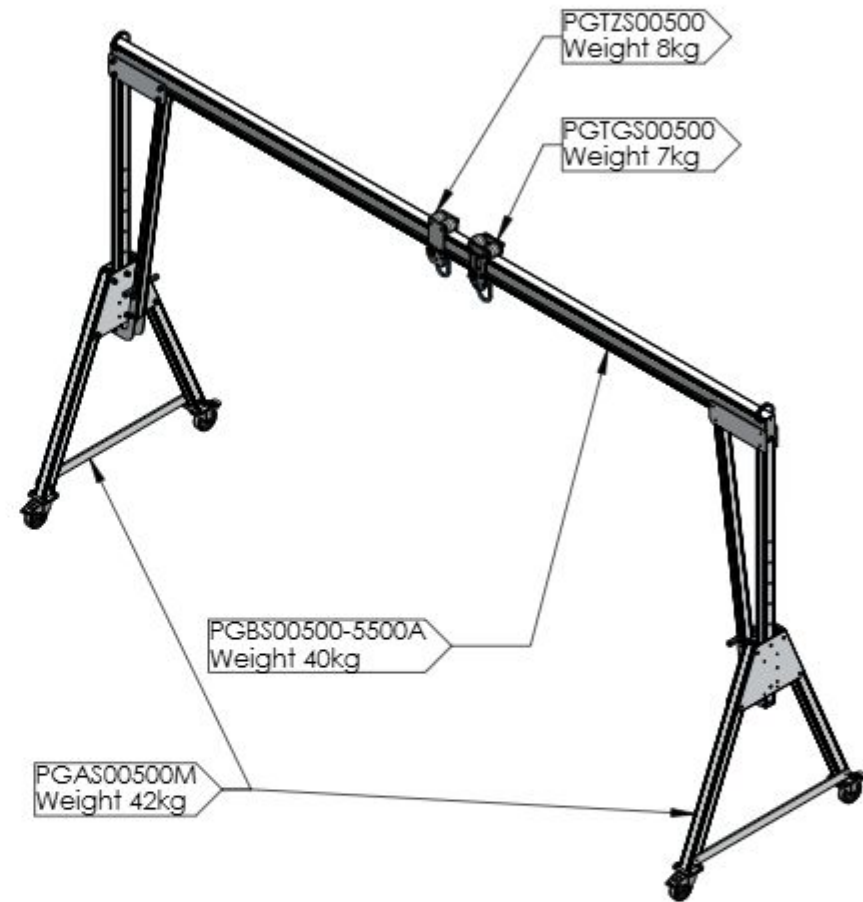
## Fall Protection Standards

- Certified to EN795:2012 Type B & supplied under PPE Regulation 2016/425
- Notified Body Witness tested to the requirements of PD CEN/TS16415:2013 for 3 persons
- Exceeds the requirements of IRATA ICOP & BS7985 (15kN MBL)
- Tested to and meets the requirements of ANSI Z359.18.2017 for 2 persons.

## Materials & Finishes

- Frame and beam - 6082 T6 Aluminium alloy. Anodised.
- Castors - Steel. Bright Zinc Plated.
- Castor Wheels & Rollers - Nylon & Polyurethane
- Fixings - Steel. Grade 12.9. Bright Zinc Plated.

Note: Master Link Trolleys shown in system as a reference



Approved

DO NOT SCALE DRAWING

REVISION **02**



Reid Lifting Limited. Unit 1  
Wyeview, Newhouse Farm Ind. Est.,  
Chepstow, Monmouthshire.  
NP16 6UD, UK

Tel +44(0)1291 620796  
Fax: +44(0)1291 626490

[www.reidlifting.com](http://www.reidlifting.com)

[enquiries@reidlifting.com](mailto:enquiries@reidlifting.com)

	NAME	DATE
DRAWN	TB	25/05/2021
CHK'D		
APPR'D	CM	09/03/2023

UNLESS OTHERWISE SPECIFIED:  
DIMENSIONS ARE IN MILLIMETERS

ALL COPYRIGHT AND DESIGN RIGHT SUBSISTING IN THIS DOCUMENT IS THE PROPERTY OF REID LIFTING LIMITED AND MAY NOT BE REPRODUCED WITHOUT REID LIFTING'S CONSENT. THIS DOCUMENT AND THE INFORMATION CONTAINED WITHIN IT IS CONFIDENTIAL AND MAY NOT BE DISCLOSED TO ANY THIRD PARTY NOR USED FOR ANY UNAUTHORIZED PURPOSE WITHOUT REID LIFTING'S CONSENT



TITLE: **General Arrangement of REID Lifting Porta-Gantry Size Medium - 5500mm Beam WLL500kg**

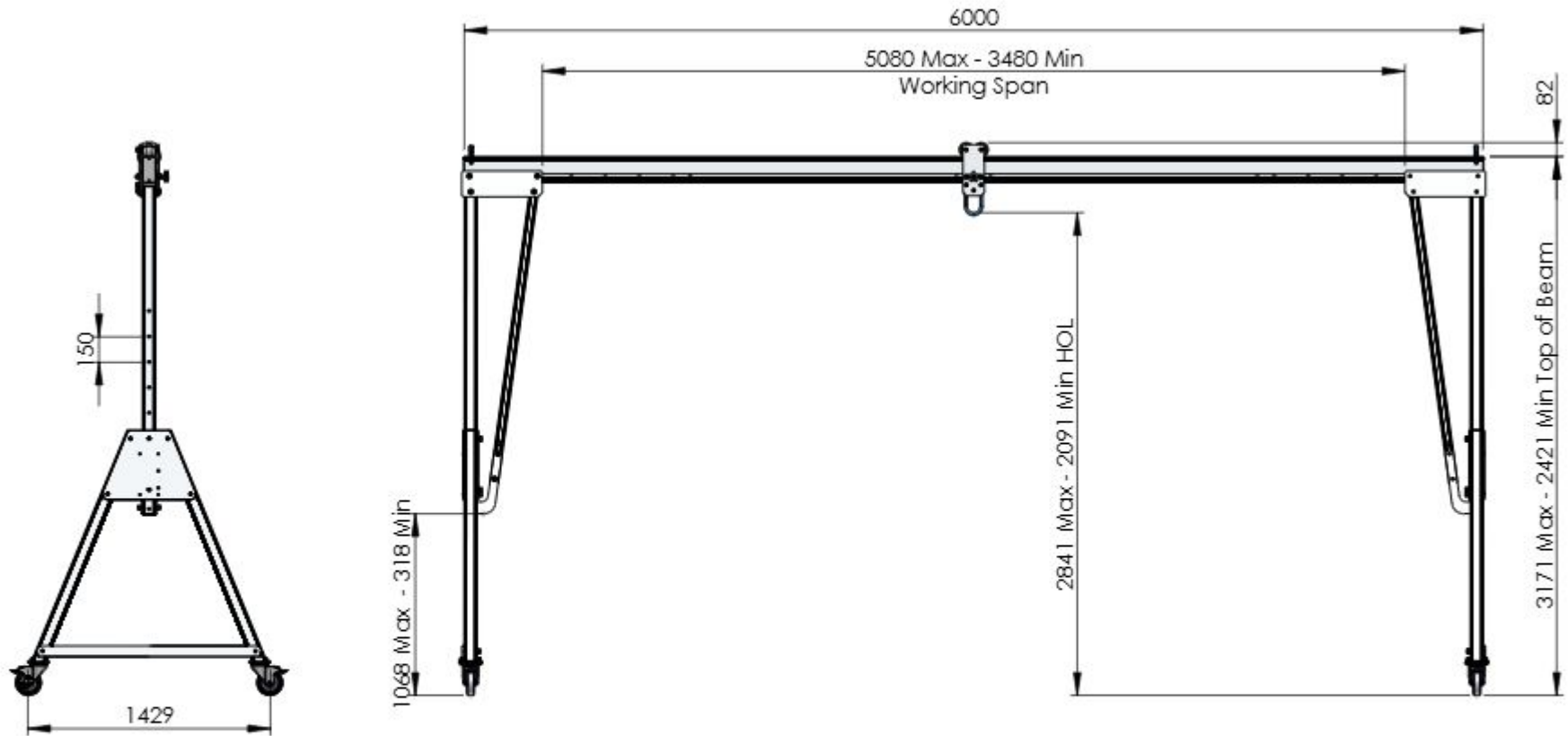
DWG NO. **PGSS00500M-5500A**

A4

Estimated Weight: 124 kg

1:45

SHEET 2 OF 2



DO NOT SCALE DRAWING

REVISION **02**



Reid Lifting Limited. Unit 1  
Wyeview, Newhouse Farm Ind. Est.,  
Chepstow, Monmouthshire,  
NP16 6UD, UK

Tel +44(0) 1291 620796  
Fax +44(0) 1291 626490

[www.reidlifting.com](http://www.reidlifting.com)

[enquiries@reidlifting.com](mailto:enquiries@reidlifting.com)

	NAME	DATE	FINISH:
DRAWN	TB	25/05/2021	Anodised
CHK'D			MATERIAL:
APPR'D	CM	09/03/2023	Aluminium Alloy
<small>ALL COPYRIGHT AND DESIGN RIGHT SUBSISTING IN THIS DOCUMENT IS THE PROPERTY OF REID LIFTING LIMITED AND MAY NOT BE REPRODUCED WITHOUT REID LIFTING'S CONSENT. THIS DOCUMENT AND THE INFORMATION CONTAINED WITHIN IT IS CONFIDENTIAL AND MAY NOT BE DISCLOSED TO ANY THIRD PARTY NOR USED FOR ANY UNAUTHORISED PURPOSE WITHOUT REID LIFTING'S CONSENT</small>			
<small>UNLESS OTHERWISE SPECIFIED: DIMENSIONS ARE IN MILLIMETERS</small>			



TITLE:

**General Arrangement of REID  
Lifting Porta-Gantry Size Medium  
- 6000mm Beam WLL500kg**

DWG NO.

**PGSS00500M-6000A**

A4

Estimated Weight: 128 kg

1:40

SHEET 1 OF 2

## General Specification

- Maximum rated capacity for goods lifting - 500kg
- Maximum rated capacity for personnel lifting - 250kg
- Beam deflection at maximum rated capacity of 500kg - 25-35mm at centre of span
- Maximum castor surface pressure at full load - 15.29 MPa
- Assembled gantry weight (excluding trolleys) - 128kg
- All welding to BS EN ISO 15614-2: 2005 by certified welders.
- For further details and assembly information refer to Operations and Maintenance Manual for Porta Gantry Product. (available at [www.reidlifting.com](http://www.reidlifting.com))

## Fall Protection Standards

- Certified to EN795:2012 Type B & supplied under PPE Regulation 2016/425
- Notified Body Witness tested to the requirements of PD CEN/TS16415:2013 for 3 persons
- Exceeds the requirements of IRATA ICOP & BS7985 (15kN MBL)

## Materials & Finishes

- Frame and beam - 6082 T6 Aluminium alloy. Anodised.
- Castors - Steel. Bright Zinc Plated.
- Castor Wheels & Rollers - Nylon & Polyurethane
- Fixings - Steel. Grade 12:9. Bright Zinc Plated.

Note: Master Link Trolleys shown in system as a reference



Approved

DO NOT SCALE DRAWING

REVISION

02



Reid Lifting Limited. Unit 1  
Wyeview, Newhouse Farm Ind. Est.,  
Chepstow, Monmouthshire.  
NP16 6UD, UK

Tel +44(0)1291 620796  
Fax: +44(0)1291 626490

[www.reidlifting.com](http://www.reidlifting.com)

[enquiries@reidlifting.com](mailto:enquiries@reidlifting.com)

	NAME	DATE
DRAWN	TB	25/05/2021
CHK'D		
APPR'D	CM	09/03/2023

UNLESS OTHERWISE SPECIFIED:  
DIMENSIONS ARE IN MILLIMETERS

ALL COPYRIGHT AND DESIGN RIGHT SUBSISTING IN THIS DOCUMENT IS THE PROPERTY OF REID LIFTING LIMITED AND MAY NOT BE REPRODUCED WITHOUT REID LIFTING'S CONSENT. THIS DOCUMENT AND THE INFORMATION CONTAINED WITHIN IT IS CONFIDENTIAL AND MAY NOT BE DISCLOSED TO ANY THIRD PARTY NOR USED FOR ANY UNAUTHORISED PURPOSE WITHOUT REID LIFTING'S CONSENT



TITLE: **General Arrangement of REID Lifting Porta-Gantry Size Medium - 6000mm Beam WLL500kg**

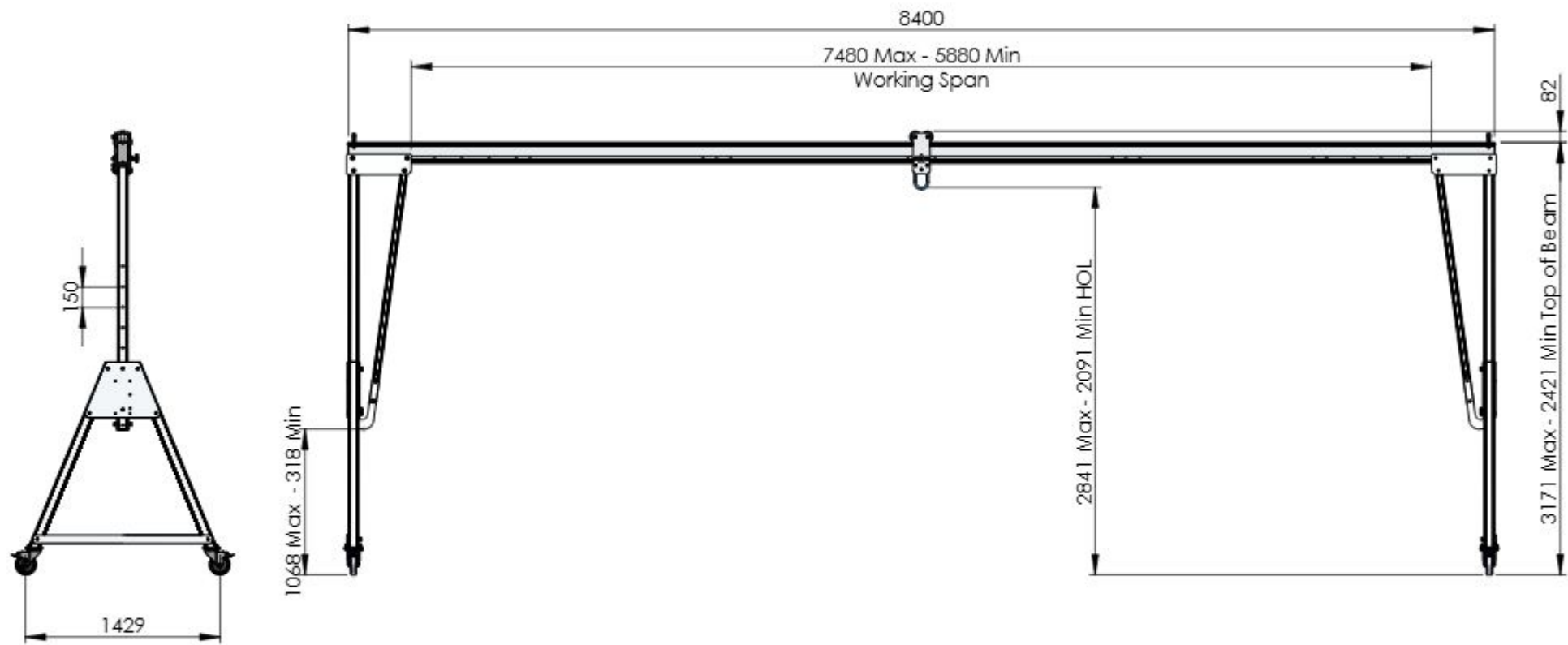
DWG NO. **PGSS00500M-6000A**

A4

Estimated Weight: 128 kg

1:45

SHEET 2 OF 2



DO NOT SCALE DRAWING

REVISION **02**



Reid Lifting Limited. Unit 1  
Wyeview, Newhouse Farm Ind. Est.,  
Chepstow, Monmouthshire.  
NP16 6UD, UK

Tel +44(0) 1291 620796  
Fax +44(0) 1291 626490

[www.reidlifting.com](http://www.reidlifting.com)

[enquiries@reidlifting.com](mailto:enquiries@reidlifting.com)

	NAME	DATE	FINISH:
DRAWN	TB	25/05/2021	Anodised
CHK'D			MATERIAL:
APPR'D	CM	09/03/2023	Aluminium Alloy
<small>ALL COPYRIGHT AND DESIGN RIGHT SUBSISTING IN THIS DOCUMENT IS THE PROPERTY OF REID LIFTING LIMITED AND MAY NOT BE REPRODUCED WITHOUT REID LIFTING'S CONSENT. THIS DOCUMENT AND THE INFORMATION CONTAINED WITHIN IT IS CONFIDENTIAL AND MAY NOT BE DISCLOSED TO ANY THIRD PARTY NOR USED FOR ANY UNAUTHORISED PURPOSE WITHOUT REID LIFTING'S CONSENT</small>			
<small>UNLESS OTHERWISE SPECIFIED: DIMENSIONS ARE IN MILLIMETERS</small>			



TITLE:

**General Arrangement of REID  
Lifting Porta-Gantry Size Medium  
- 8400mm Beam WLL500kg**

DWG NO.

**PGSS00500M-8400A**

A4

Estimated Weight: 145 kg

1:45

SHEET 1 OF 2

## General Specification

- Maximum rated capacity for goods lifting - 500kg
- Maximum rated capacity for personnel lifting - 250kg
- Beam deflection at maximum rated capacity of 500kg - 60-70mm at centre of span
- Maximum castor surface pressure at full load - 15.53 MPa
- Assembled gantry weight (excluding trolleys) - 145kg
- All welding to BS EN ISO 15614-2: 2005 by certified welders.
- For further details and assembly information refer to Operations and Maintenance Manual for Porta Gantry Product. (available at [www.reidlifting.com](http://www.reidlifting.com))

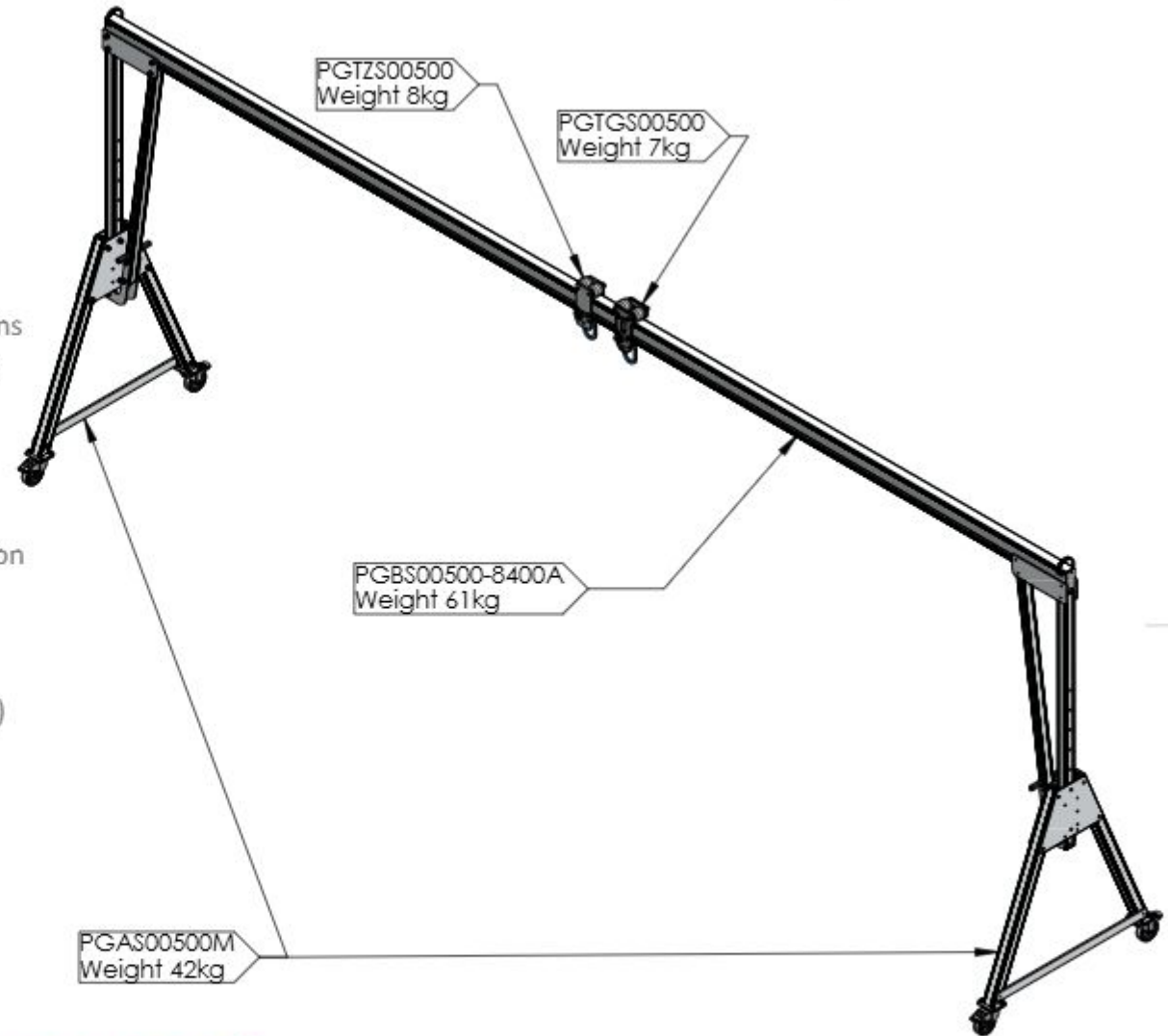
## Fall Protection Standards

- Certified to EN795:2012 Type B & supplied under PPE Regulation 2016/425
- Notified Body Witness tested to the requirements of PD CEN/TS16415:2013 for 3 persons
- Exceeds the requirements of IRATA ICOP & BS7985 (15kN MBL)

## Materials & Finishes

- Frame and beam - 6082 T6 Aluminium alloy. Anodised.
- Castors - Steel. Bright Zinc Plated.
- Castor Wheels & Rollers - Nylon & Polyurethane
- Fixings - Steel. Grade 12:9. Bright Zinc Plated.

Note: Master Link Trolleys shown in system as a reference



Approved

DO NOT SCALE DRAWING

REVISION **02**



Reid Lifting Limited. Unit 1  
Wyeview, Newhouse Farm Ind. Est.,  
Chepstow, Monmouthshire.  
NP16 6UD, UK

Tel +44(0)1291 620796  
Fax: +44(0)1291 626490

[www.reidlifting.com](http://www.reidlifting.com)

[enquiries@reidlifting.com](mailto:enquiries@reidlifting.com)

	NAME	DATE
DRAWN	TB	25/05/2021
CHK'D		
APP'VD	CM	09/03/2023

UNLESS OTHERWISE SPECIFIED:  
DIMENSIONS ARE IN MILLIMETERS

ALL COPYRIGHT AND DESIGN RIGHT SUBSISTING IN THIS DOCUMENT IS THE PROPERTY OF REID LIFTING LIMITED AND MAY NOT BE REPRODUCED WITHOUT REID LIFTING'S CONSENT. THIS DOCUMENT AND THE INFORMATION CONTAINED WITHIN IT IS CONFIDENTIAL AND MAY NOT BE DISCLOSED TO ANY THIRD PARTY NOR USED FOR ANY UNAUTHORIZED PURPOSE WITHOUT REID LIFTING'S CONSENT



TITLE: **General Arrangement of REID Lifting Porta-Gantry Size Medium - 8400mm Beam WLL500kg**

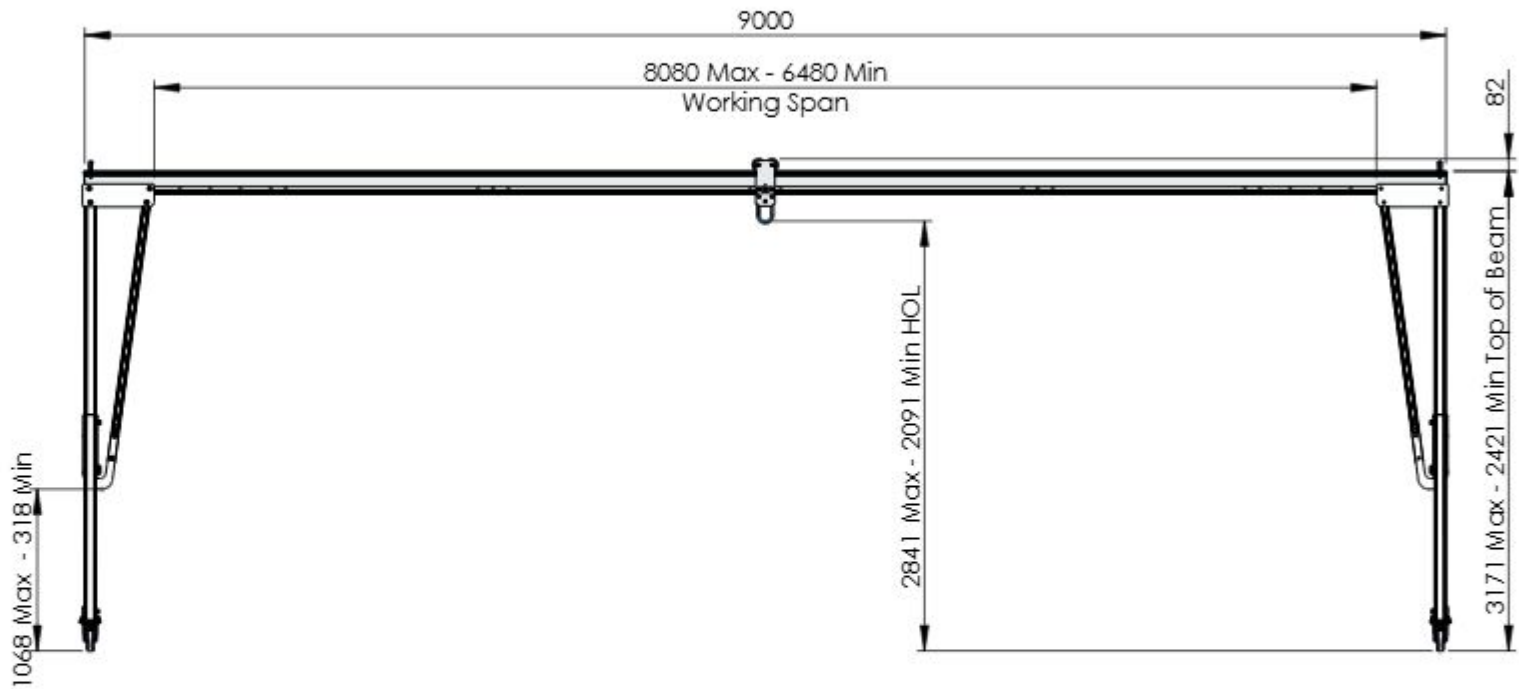
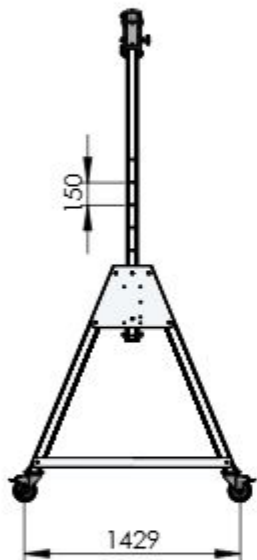
DWG NO. **PGSS00500M-8400A**

A4

Estimated Weight: 145 kg

1:45

SHEET 2 OF 2



DO NOT SCALE DRAWING

REVISION **02**



Reid Lifting Limited. Unit 1  
Wyeview, Newhouse Farm Ind. Est.,  
Chepstow, Monmouthshire.  
NP16 6UD, UK

Tel +44(0) 1291 620796  
Fax +44(0) 1291 626490

[www.reidlifting.com](http://www.reidlifting.com)

[enquiries@reidlifting.com](mailto:enquiries@reidlifting.com)

	NAME	DATE	FINISH:
DRAWN	TB	25/05/2021	Anodised
CHK'D			MATERIAL:
APPR'D	CM	09/03/2023	Aluminium Alloy
<small>ALL COPYRIGHT AND DESIGN RIGHT SUBSISTING IN THIS DOCUMENT IS THE PROPERTY OF REID LIFTING LIMITED AND MAY NOT BE REPRODUCED WITHOUT REID LIFTING'S CONSENT. THIS DOCUMENT AND THE INFORMATION CONTAINED WITHIN IT IS CONFIDENTIAL AND MAY NOT BE DISCLOSED TO ANY THIRD PARTY NOR USED FOR ANY UNAUTHORISED PURPOSE WITHOUT REID LIFTING'S CONSENT</small>			
<small>UNLESS OTHERWISE SPECIFIED: DIMENSIONS ARE IN MILLIMETERS</small>			



TITLE:

**General Arrangement of REID  
Lifting Porta-Gantry Size Medium  
- 9000mm Beam WLL500kg**

DWG NO.

**PGSS00500M-9000A**

A4

Estimated Weight: 150 kg

1:50

SHEET 1 OF 2

## General Specification

- Maximum rated capacity for goods lifting - 500kg
- Maximum rated capacity for personnel lifting - 250kg
- Beam deflection at maximum rated capacity of 500kg - 80-90mm at centre of span
- Maximum castor surface pressure at full load - 15.58 MPa
- Assembled gantry weight (excluding trollies) - 150kg
- All welding to BS EN ISO 15614-2: 2005 by certified welders.
- For further details and assembly information refer to Operations and Maintenance Manual for Porta Gantry Product. (available at [www.reidlifting.com](http://www.reidlifting.com))

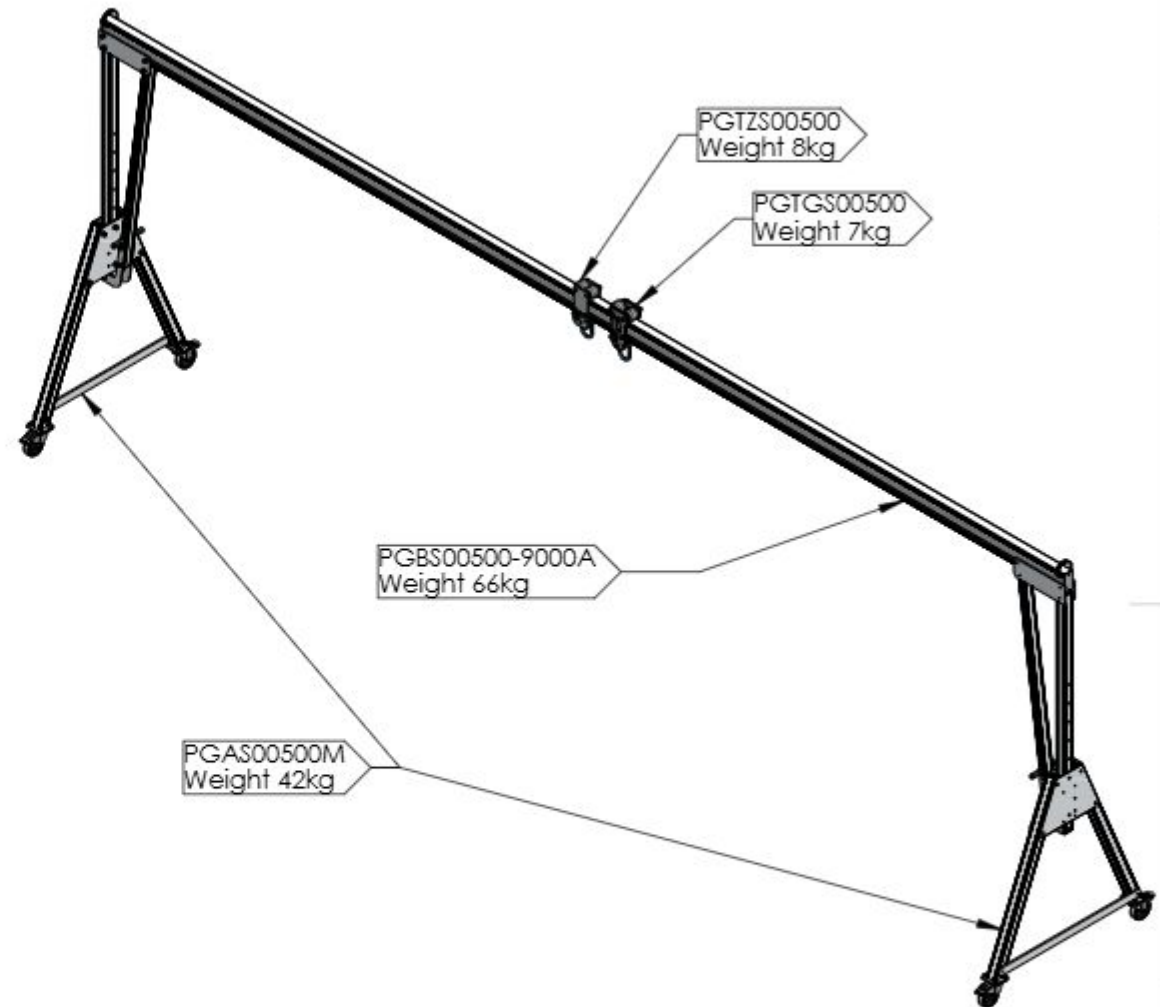
## Fall Protection Standards

- Certified to EN795:2012 Type B & supplied under PPE Regulation 2016/425
- Notified Body Witness tested to the requirements of PD CEN/TS16415:2013 for 3 persons
- Exceeds the requirements of IRATA ICOP & BS7985 (15kN MBL)

## Materials & Finishes

- Frame and beam - 6082 T6 Aluminium alloy. Anodised.
- Castors - Steel. Bright Zinc Plated.
- Castor Wheels & Rollers - Nylon & Polyurethane
- Fixings - Steel. Grade 12:9. Bright Zinc Plated.

Note: Master Link Trolleys shown in system as a reference



Approved

DO NOT SCALE DRAWING

REVISION **02**

**REID**  
**LIFTING**

Reid Lifting Limited. Unit 1  
Wyeview, Newhouse Farm Ind. Est.,  
Chepstow, Monmouthshire.  
NP16 6UD, UK

Tel +44(0)1291 620796  
Fax: +44(0)1291 626490

[www.reidlifting.com](http://www.reidlifting.com)

[enquiries@reidlifting.com](mailto:enquiries@reidlifting.com)

	NAME	DATE
DRAWN	TB	25/05/2021
CHK'D		
APPR'D	CM	09/03/2023

UNLESS OTHERWISE SPECIFIED:  
DIMENSIONS ARE IN MILLIMETERS

ALL COPYRIGHT AND DESIGN RIGHT SUBSISTING IN THIS DOCUMENT IS THE PROPERTY OF REID LIFTING LIMITED AND MAY NOT BE REPRODUCED WITHOUT REID LIFTING'S CONSENT. THIS DOCUMENT AND THE INFORMATION CONTAINED WITHIN IT IS CONFIDENTIAL AND MAY NOT BE DISCLOSED TO ANY THIRD PARTY NOR USED FOR ANY UNAUTHORIZED PURPOSE WITHOUT REID LIFTING'S CONSENT



TITLE: **General Arrangement of REID Lifting Porta-Gantry Size Medium - 9000mm Beam WLL500kg**

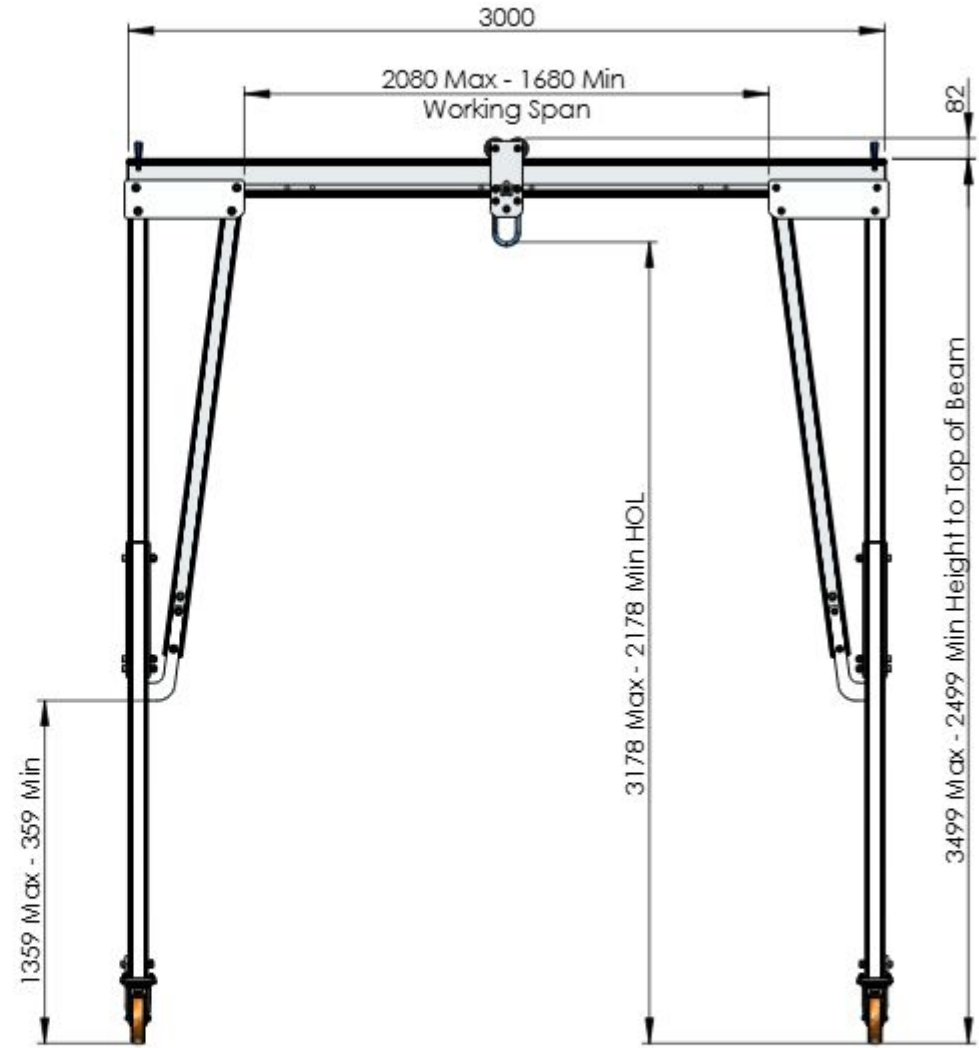
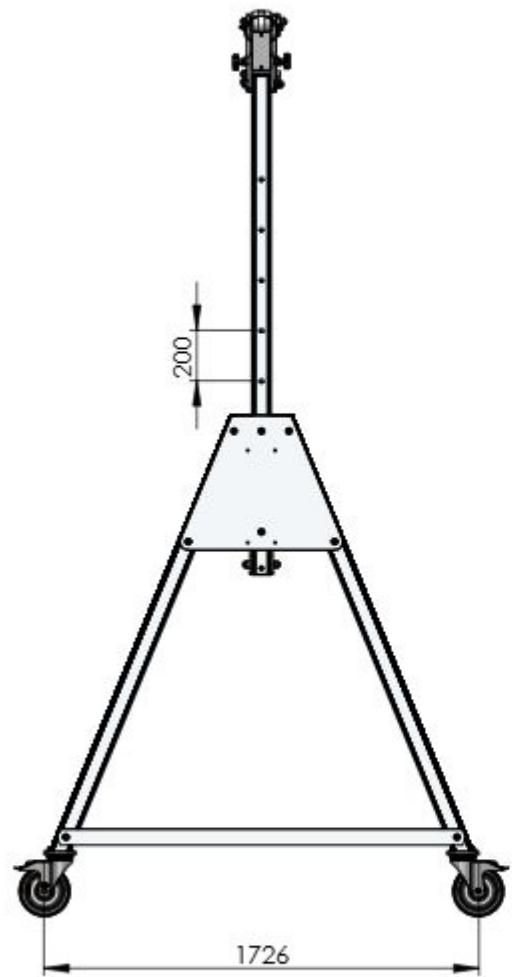
DWG NO. **PGSS00500M-9000A**

A4

Estimated Weight: 150 kg

1:50

SHEET 2 OF 2



DO NOT SCALE DRAWING

REVISION **03**



Reid Lifting Limited. Unit 1  
Wyeview, Newhouse Farm Ind. Est.,  
Chepstow, Monmouthshire.  
NP16 6UD, UK

Tel +44(0) 1291 620796  
Fax +44(0) 1291 626490

[www.reidlifting.com](http://www.reidlifting.com)

[enquiries@reidlifting.com](mailto:enquiries@reidlifting.com)

	NAME	DATE	FINISH:
DRAWN	BJ	26/10/2020	Galvanised
CHK'D			MATERIAL:
APPR'D	CM	09/03/2023	Aluminium Alloy
<small>ALL COPYRIGHT AND DESIGN RIGHT SUBSISTING IN THIS DOCUMENT IS THE PROPERTY OF REID LIFTING LIMITED AND MAY NOT BE REPRODUCED WITHOUT REID LIFTING'S CONSENT. THIS DOCUMENT AND THE INFORMATION CONTAINED WITHIN IT IS CONFIDENTIAL AND MAY NOT BE DISCLOSED TO ANY THIRD PARTY NOR USED FOR ANY UNAUTHORISED PURPOSE WITHOUT REID LIFTING'S CONSENT</small>			
<small>UNLESS OTHERWISE SPECIFIED: DIMENSIONS ARE IN MILLIMETERS</small>			

TITLE:  
**General Arrangement of REID  
Lifting Porta-Gantry Size  
Intermediate - 3000mm Beam**

DWG NO. **PGSS00500I-3000A** A4

Estimated Weight: 122kg 1:30 SHEET 1 OF 2

## General Specification

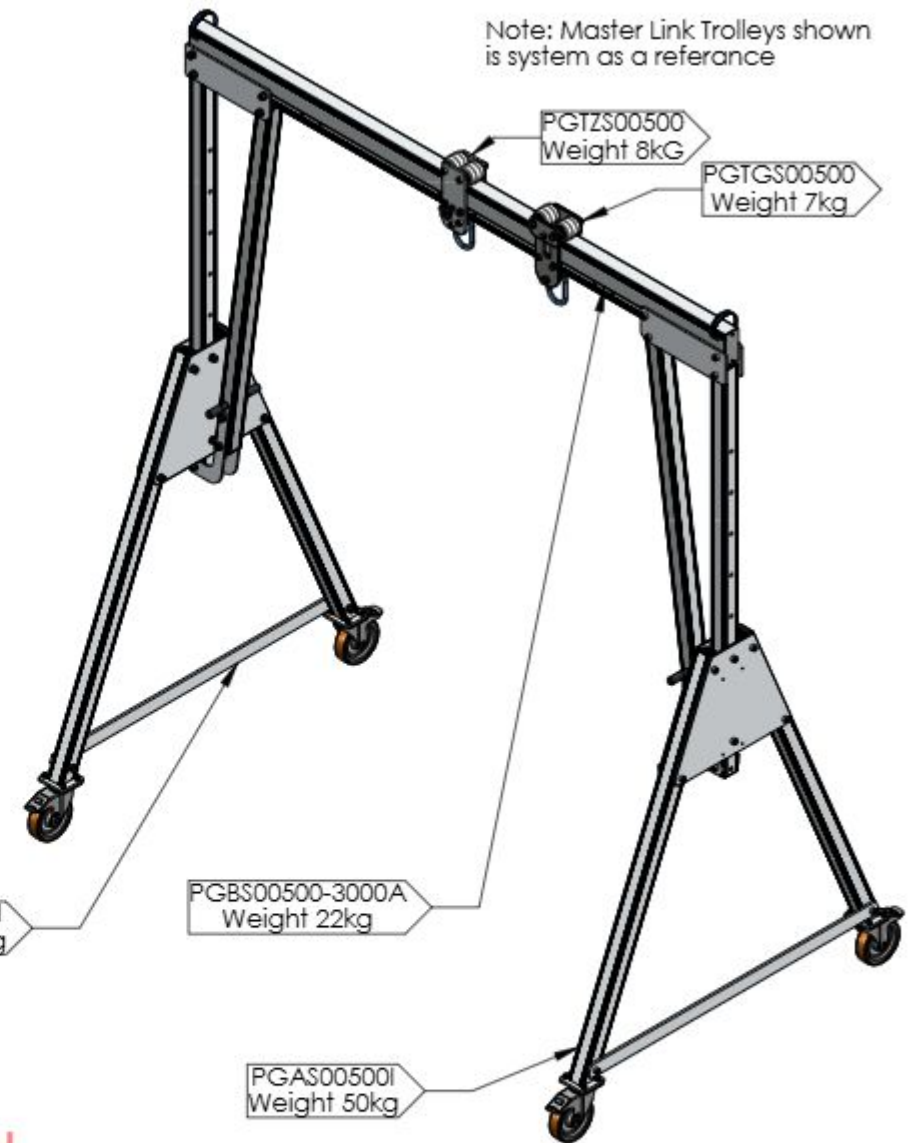
- Maximum rated capacity for goods lifting - 500kg
- Maximum rated capacity for personnel lifting - 250kg
- Beam deflection at maximum rated capacity of 500kg - between 0 - 5mm at centre of span
- Maximum castor surface pressure at full load - 12.48 Mpa
- Assembled gantry weight (excluding trollies) - 122kg
- All welding to BS EN ISO 15614-2: 2005 by certified welders.
- For further details and assembly information refer to Operations and Maintenance Manual for Porta Gantry Product. (available at [www.reidlifting.com](http://www.reidlifting.com))

## Fall Protection Standards

- Certified to EN795:2012 Type B & supplied under the PPE regulation 2016/425
- Notified Body Witness tested to the requirements of PD CEN/TS16415:2013 for 3 persons
- Exceeds the requirements of IRATA ICOP & BS7985 (15kN MBL)
- Tested to and meets the requirements of ANSI Z359.18.2017 for 2 persons.

## Materials & Finishes

- Frame and beam - 6082 T6 Aluminium alloy. Anodized.
- Castors - Steel. Bright Zinc Plated.
- Castor Wheels & Rollers - Nylon & Polyurethane
- Fixings - Steel. Grade 12:9. Bright Zinc Plated.



Approved

DO NOT SCALE DRAWING

REVISION

03

**REID**  
**LIFTING**

Reid Lifting Limited. Unit 1  
Wyeview, Newhouse Farm Ind. Est.,  
Chepstow, Monmouthshire.  
NP16 6UD, UK

Tel +44(0)1291 620796  
Fax: +44(0)1291 626490

[www.reidlifting.com](http://www.reidlifting.com)

[enquiries@reidlifting.com](mailto:enquiries@reidlifting.com)

	NAME	DATE
DRAWN	BJ	26/10/2020
CHK'D		
APPR'D	CM	09/03/2023

UNLESS OTHERWISE SPECIFIED:  
DIMENSIONS ARE IN MILLIMETERS

ALL COPYRIGHT AND DESIGN RIGHT SUBSISTING IN THIS DOCUMENT IS THE PROPERTY OF REID LIFTING LIMITED AND MAY NOT BE REPRODUCED WITHOUT REID LIFTING'S CONSENT. THIS DOCUMENT AND THE INFORMATION CONTAINED WITHIN IT IS CONFIDENTIAL AND MAY NOT BE DISCLOSED TO ANY THIRD PARTY NOR USED FOR ANY UNAUTHORIZED PURPOSE WITHOUT REID LIFTING'S CONSENT



TITLE: **General Arrangement of REID Lifting Porta-Gantry Size Intermediate - 3000mm Beam**

DWG NO.

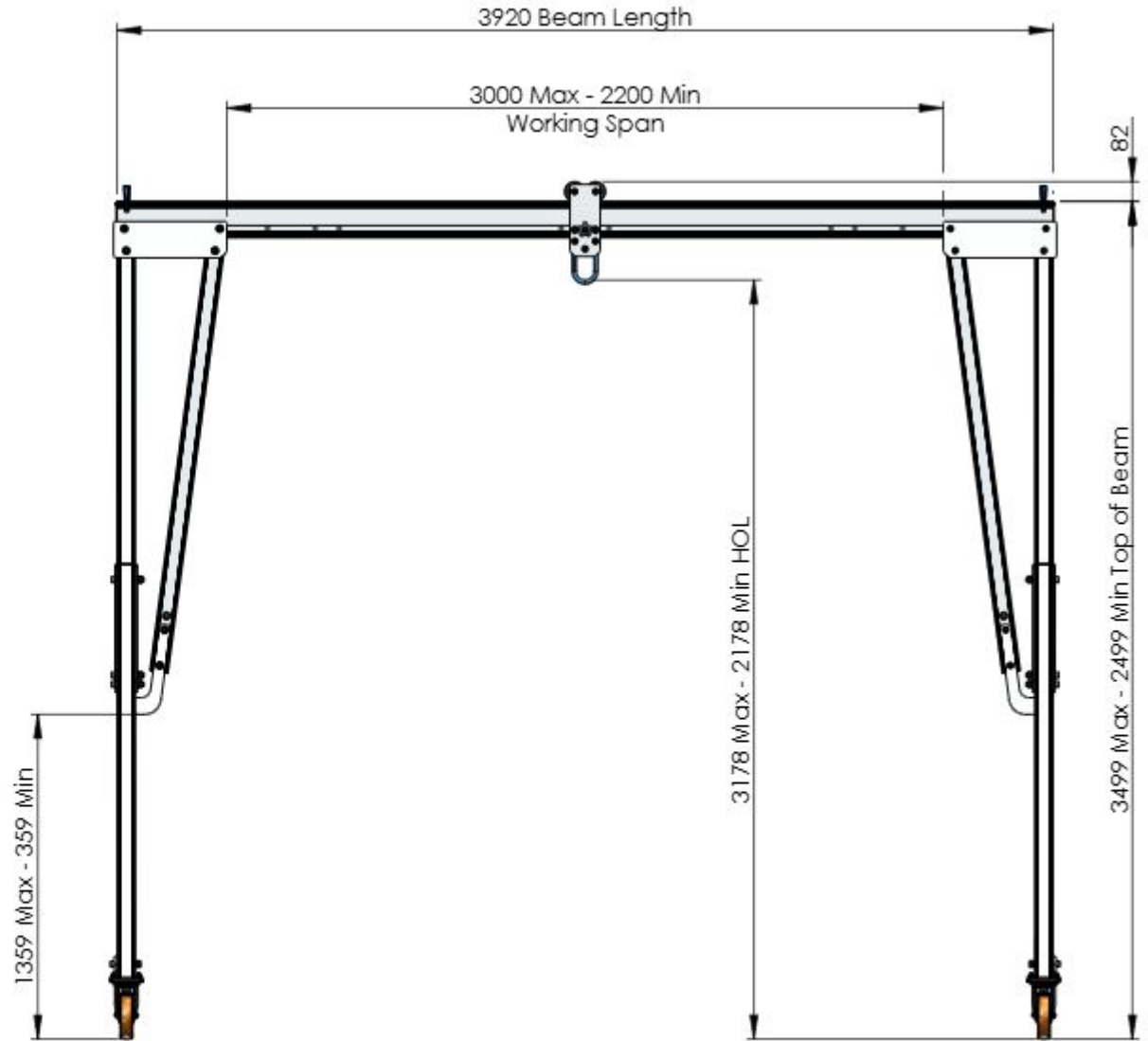
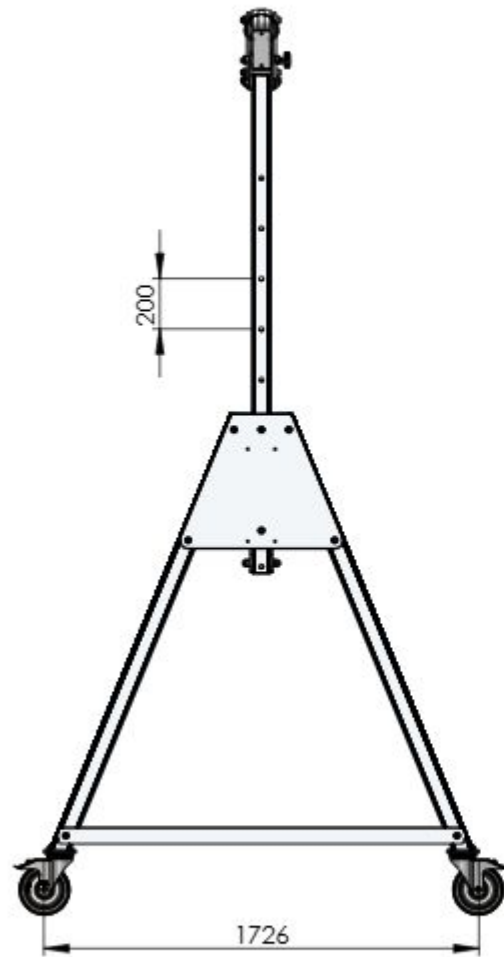
**PGSS00500I-3000A**

A4

Estimated Weight: 122kg

1:30

SHEET 2 OF 2



DO NOT SCALE DRAWING

REVISION **03**



Reid Lifting Limited. Unit 1  
Wyeview, Newhouse Farm Ind. Est.,  
Chepstow, Monmouthshire,  
NP16 6UD, UK

Tel +44(0) 1291 620796  
Fax +44(0) 1291 626490

[www.reidlifting.com](http://www.reidlifting.com)

[enquiries@reidlifting.com](mailto:enquiries@reidlifting.com)

	NAME	DATE	FINISH:
DRAWN	BJ	26/06/2020	Anodised
CHK'D			MATERIAL:
APP'VD	CM	09/0	Aluminium Alloy
<small>ALL COPYRIGHT AND DESIGN RIGHT SUBSISTING IN THIS DOCUMENT IS THE PROPERTY OF REID LIFTING LIMITED AND MAY NOT BE REPRODUCED WITHOUT REID LIFTING'S CONSENT. THIS DOCUMENT AND THE INFORMATION CONTAINED WITHIN IT IS CONFIDENTIAL AND MAY NOT BE DISCLOSED TO ANY THIRD PARTY NOR USED FOR ANY UNAUTHORISED PURPOSE WITHOUT REID LIFTING'S CONSENT</small>			
<small>UNLESS OTHERWISE SPECIFIED: DIMENSIONS ARE IN MILLIMETERS</small>			



TITLE: **General Arrangement of Reid Lifting PORTA-GANTRY Size Intermediate - 3920mm Beam**

DWG NO. **PGSS00500I-3920A** A4

Estimated Weight: 129kg 1:30 SHEET 1 OF 2

## General Specification

- Maximum rated capacity for goods lifting - 500kg
- Maximum rated capacity for personnel lifting - 250kg
- Beam deflection at maximum rated capacity of 500kg - between 5 - 10mm at centre of span
- Maximum castor surface pressure at full load - 12.56 Mpa
- Assembled gantry weight (excluding trollies) - 129kg
- All welding to BS EN ISO 15614-2: 2005 by certified welders.
- For further details and assembly information refer to Operations and Maintenance Manual for Porta Gantry Product. (available at [www.reidlifting.com](http://www.reidlifting.com))

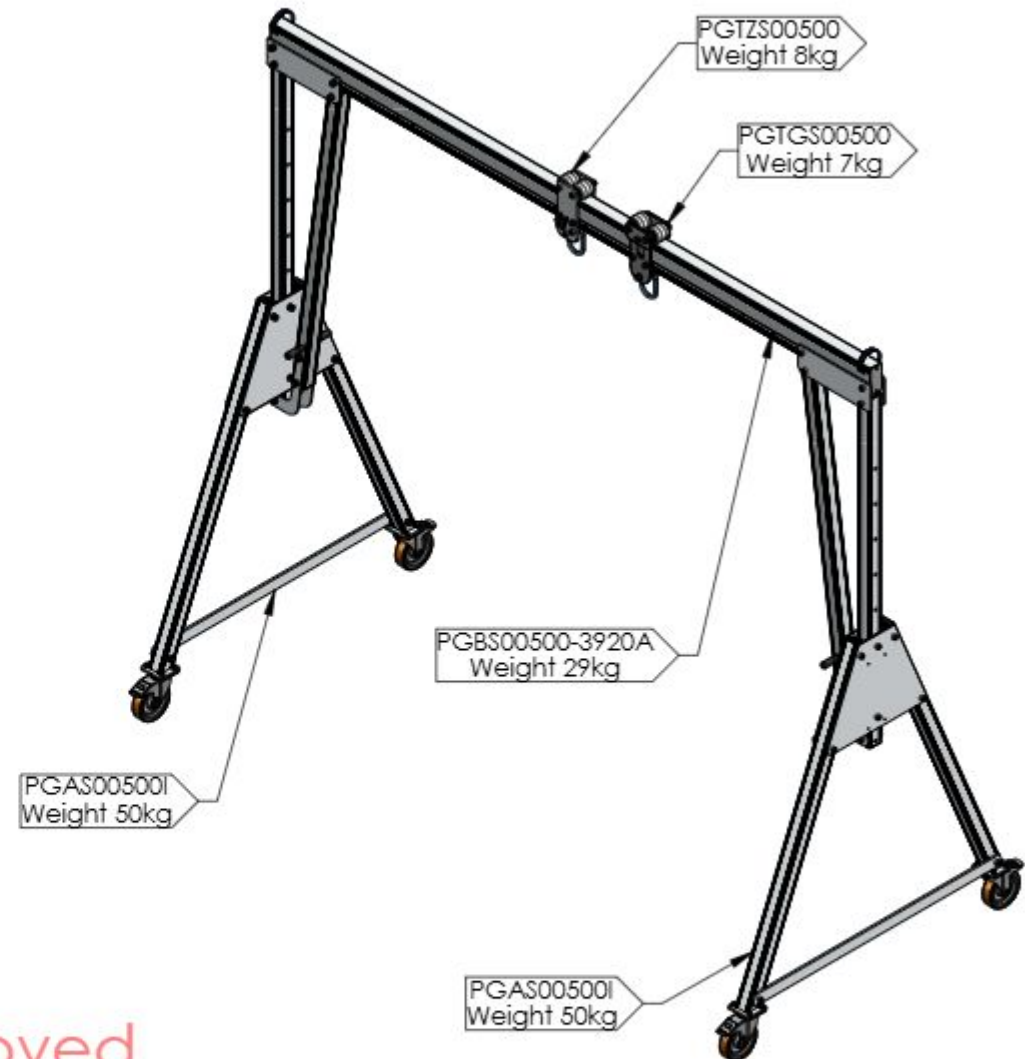
## Fall Protection Standards

- Certified to EN795:2012 Type B & supplied under the PPE regulation 2016/425
- Notified Body Witness tested to the requirements of PD CEN/TS16415:2013 for 3 persons
- Exceeds the requirements of IRATA ICOP & BS7985 (15kN MBL)
- Tested to and meets the requirements of ANSI Z359.18.2017 for 2 persons.

## Materials & Finishes

- Frame and beam - 6082 T6 Aluminium alloy. Anodized.
- Castors - Steel. Bright Zinc Plated.
- Castor Wheels & Rollers - Nylon & Polyurethane
- Fixings - Steel. Grade 12:9. Bright Zinc Plated.

Note: Master Link Trollies shown in system as a reference



Approved

DO NOT SCALE DRAWING

REVISION **03**



Reid Lifting Limited. Unit 1  
Wyeview, Newhouse Farm Ind. Est.,  
Chepstow, Monmouthshire.  
NP16 6UD, UK

Tel +44(0)1291 620796  
Fax: +44(0)1291 626490

[www.reidlifting.com](http://www.reidlifting.com)

[enquiries@reidlifting.com](mailto:enquiries@reidlifting.com)

	NAME	DATE
DRAWN	BJ	26/06/2020
CHK'D		
APP'VD	CM	09/03/2023

UNLESS OTHERWISE SPECIFIED:  
DIMENSIONS ARE IN MILLIMETERS

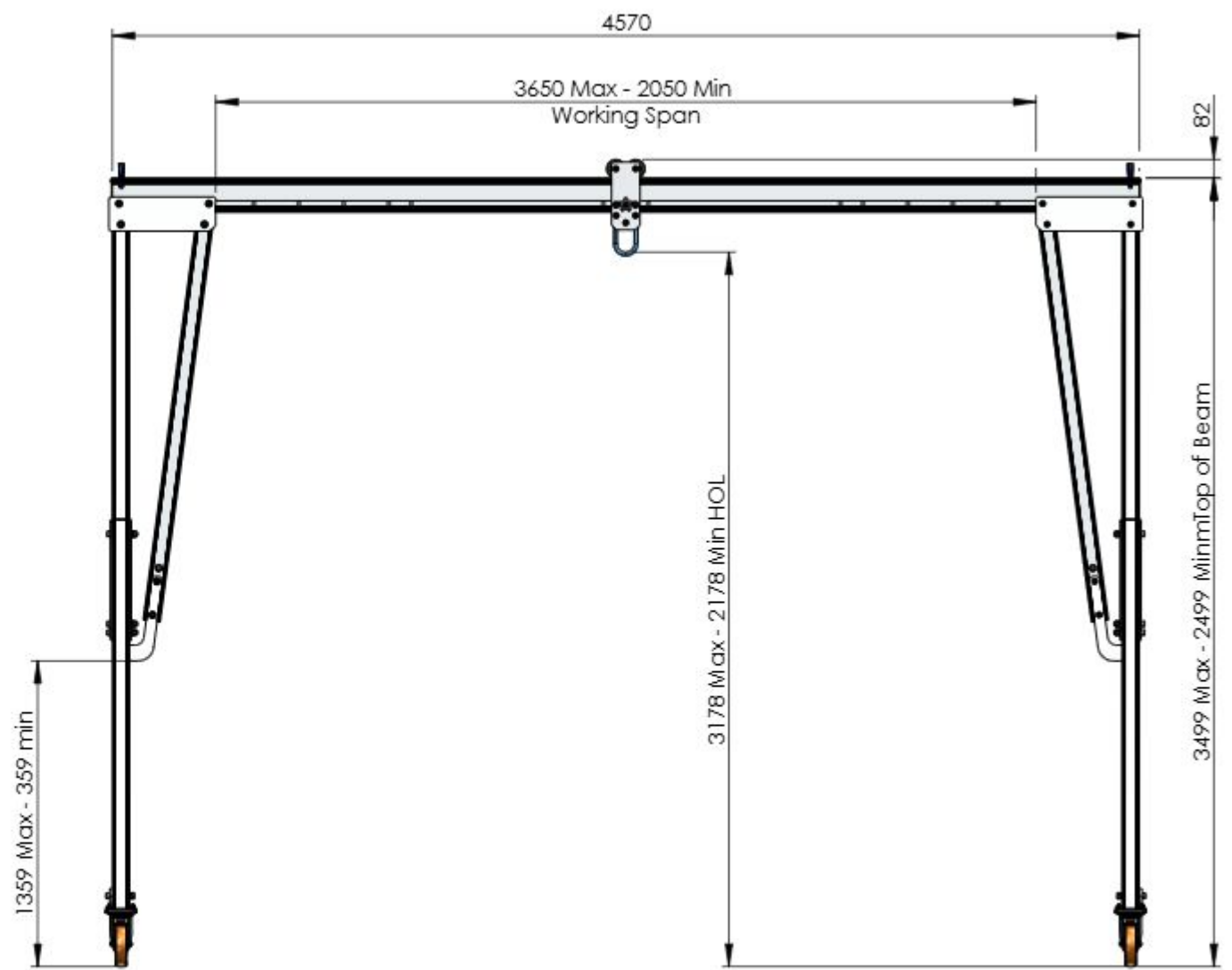
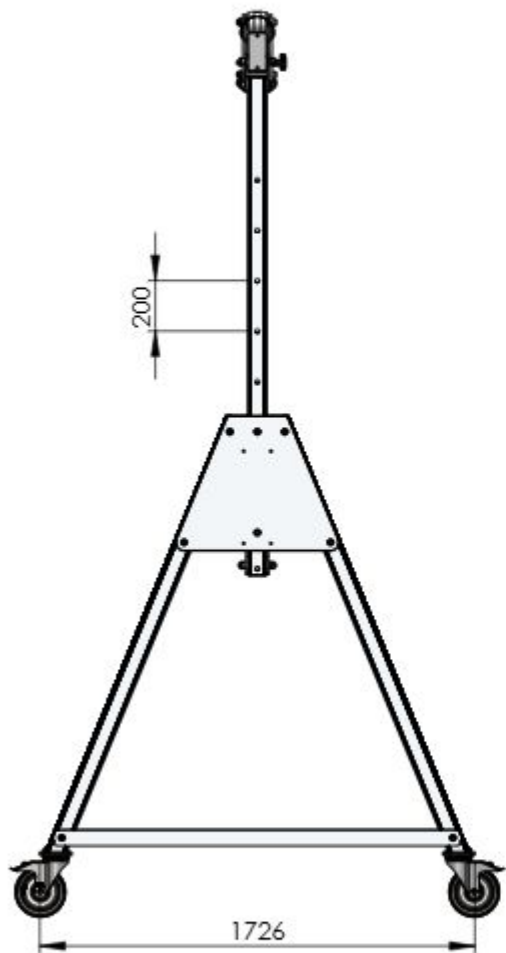
ALL COPYRIGHT AND DESIGN RIGHT SUBSISTING IN THIS DOCUMENT IS THE PROPERTY OF REID LIFTING LIMITED AND MAY NOT BE REPRODUCED WITHOUT REID LIFTING'S CONSENT. THIS DOCUMENT AND THE INFORMATION CONTAINED WITHIN IT IS CONFIDENTIAL AND MAY NOT BE DISCLOSED TO ANY THIRD PARTY NOR USED FOR ANY UNAUTHORIZED PURPOSE WITHOUT REID LIFTING'S CONSENT



TITLE: **General Arrangement of Reid Lifting PORTA-GANTRY Size Intermediate - 3920mm Beam**

DWG NO. **PGSS00500I-3920A** **A4**

Estimated Weight: 129kg 1:35 SHEET 2 OF 2



DO NOT SCALE DRAWING

REVISION **03**



Reid Lifting Limited. Unit 1  
Wyeview, Newhouse Farm Ind. Est.,  
Chepstow, Monmouthshire.  
NP16 6UD, UK

Tel +44(0) 1291 620796  
Fax +44(0) 1291 626490

[www.reidlifting.com](http://www.reidlifting.com)

[enquiries@reidlifting.com](mailto:enquiries@reidlifting.com)

	NAME	DATE	FINISH:
DRAWN	BJ	15/10/2020	Anodised
CHK'D			MATERIAL:
APP'VD	CM	09/03/2023	Aluminium Alloy
<small>ALL COPYRIGHT AND DESIGN RIGHT SUBSISTING IN THIS DOCUMENT IS THE PROPERTY OF REID LIFTING LIMITED AND MAY NOT BE REPRODUCED WITHOUT REID LIFTING'S CONSENT. THIS DOCUMENT AND THE INFORMATION CONTAINED WITHIN IT IS CONFIDENTIAL AND MAY NOT BE DISCLOSED TO ANY THIRD PARTY NOR USED FOR ANY UNAUTHORISED PURPOSE WITHOUT REID LIFTING'S CONSENT</small>			
<small>UNLESS OTHERWISE SPECIFIED: DIMENSIONS ARE IN MILLIMETERS</small>			

TITLE:  
**General Arrangement of Reid  
Lifting PORTA-GANTRY Size  
Intermediate - 4570mm Beam**

DWG NO. **PGSS00500I-4570A** A4

Estimated Weight: 134kg 1:30 SHEET 1 OF 2

## General Specification

- Maximum rated capacity for goods lifting - 500kg
- Maximum rated capacity for personnel lifting - 250kg
- Beam deflection at maximum rated capacity of 500kg - between 10 - 15mm at centre of span
- Maximum castor surface pressure at full load - 12.61 Mpa
- Assembled gantry weight (excluding trolleys) - 134kg
- All welding to BS EN ISO 15614-2: 2005 by certified welders.
- For further details and assembly information refer to Operations and Maintenance Manual for Porta Gantry Product. (available at [www.reidlifting.com](http://www.reidlifting.com))

## Fall Protection Standards

- Certified to EN795:2012 Type B & supplied under the PPE regulation 2016/425
- Notified Body Witness tested to the requirements of PD CEN/TS16415:2013 for 3 persons
- Exceeds the requirements of IRATA ICOP & BS7985 (15kN MBL)
- Tested to and meets the requirements of ANSI Z359.18.2017 for 2 persons.

## Materials & Finishes

- Frame and beam - 6082 T6 Aluminium alloy. Anodized.
- Castors - Steel. Bright Zinc Plated.
- Castor Wheels & Rollers - Nylon & Polyurethane
- Fixings - Steel. Grade 12.9. Bright Zinc Plated.

Note: Master Link Trolleys shown in system as a reference



Approved

DO NOT SCALE DRAWING

REVISION

03



Reid Lifting Limited. Unit 1  
Wyeview, Newhouse Farm Ind. Est.,  
Chepstow, Monmouthshire.  
NP16 6UD, UK

Tel +44(0)1291 620796  
Fax: +44(0)1291 626490

[www.reidlifting.com](http://www.reidlifting.com)

[enquiries@reidlifting.com](mailto:enquiries@reidlifting.com)

	NAME	DATE
DRAWN	BJ	15/10/2020
CHK'D		
APPR'D	CM	09/03/2023

UNLESS OTHERWISE SPECIFIED:  
DIMENSIONS ARE IN MILLIMETERS

ALL COPYRIGHT AND DESIGN RIGHT SUBSISTING IN THIS DOCUMENT IS THE PROPERTY OF REID LIFTING LIMITED AND MAY NOT BE REPRODUCED WITHOUT REID LIFTING'S CONSENT. THIS DOCUMENT AND THE INFORMATION CONTAINED WITHIN IT IS CONFIDENTIAL AND MAY NOT BE DISCLOSED TO ANY THIRD PARTY NOR USED FOR ANY UNAUTHORIZED PURPOSE WITHOUT REID LIFTING'S CONSENT



TITLE: **General Arrangement of Reid Lifting PORTA-GANTRY Size Intermediate - 4570mm Beam**

DWG NO.

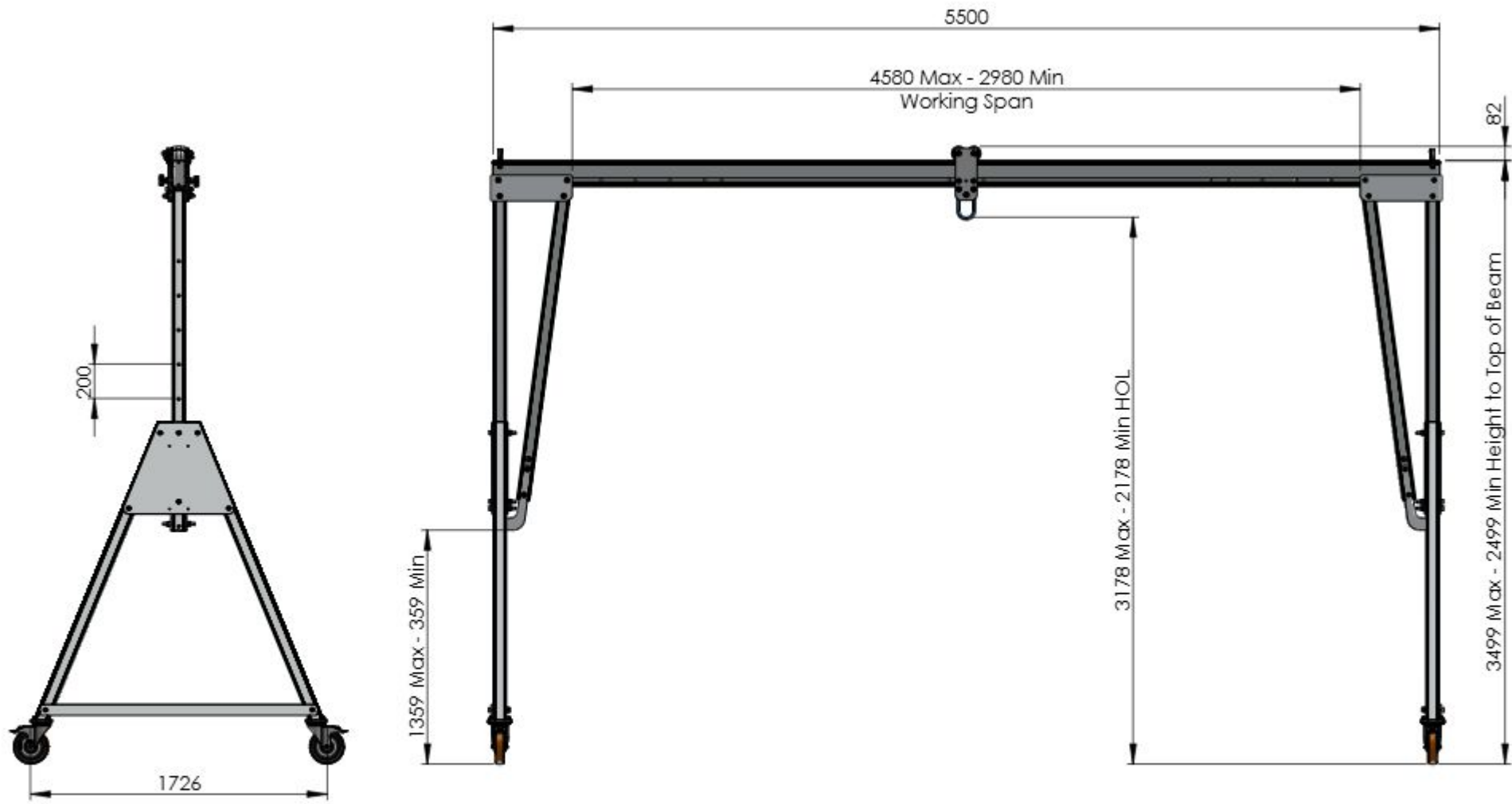
**PGSS00500I-4570A**

A4

Estimated Weight: 134kg

1:40

SHEET 2 OF 2



DO NOT SCALE DRAWING

REVISION **03**



Reid Lifting Limited. Unit 1  
Wyeview, Newhouse Farm Ind. Est.,  
Chepstow, Monmouthshire.  
NP16 6UD, UK

Tel +44(0) 1291 620796  
Fax +44(0) 1291 626490

[www.reidlifting.com](http://www.reidlifting.com)

[enquiries@reidlifting.com](mailto:enquiries@reidlifting.com)

	NAME	DATE	FINISH:
DRAWN	TB	12/05/2021	Anodised
CHK'D			MATERIAL:
APPR'D	CM	09/03/2023	Aluminium Alloy
<small>ALL COPYRIGHT AND DESIGN RIGHT SUBSISTING IN THIS DOCUMENT IS THE PROPERTY OF REID LIFTING LIMITED AND MAY NOT BE REPRODUCED WITHOUT REID LIFTING'S CONSENT. THIS DOCUMENT AND THE INFORMATION CONTAINED WITHIN IT IS CONFIDENTIAL AND MAY NOT BE DISCLOSED TO ANY THIRD PARTY NOR USED FOR ANY UNAUTHORISED PURPOSE WITHOUT REID LIFTING'S CONSENT</small>			
<small>UNLESS OTHERWISE SPECIFIED: DIMENSIONS ARE IN MILLIMETERS</small>			

TITLE: **General Arrangement of REID  
Lifting Porta-Gantry Size:  
Intermediate - WLL500kg 5500mm  
Beam**

DWG NO.	<b>PGSS00500I-5500A</b>	A4
Estimated Weight:	141kg	1:35
		SHEET 1 OF 2

## General Specification

- Maximum rated capacity for goods lifting - 500kg
- Maximum rated capacity for personnel lifting - 250kg
- Beam deflection at maximum rated capacity of 500kg - between 20 - 30mm at centre of span
- Maximum castor surface pressure at full load - 12.68 Mpa
- Assembled gantry weight (excluding trolleys) - 141kg
- All welding to BS EN ISO 15614-2: 2005 by certified welders.
- For further details and assembly information refer to Operations and Maintenance Manual for Porta Gantry Product. (available at [www.reidlifting.com](http://www.reidlifting.com))

## Fall Protection Standards

- Certified to EN795:2012 Type B & supplied under the PPE regulation 2016/425
- Notified Body witness tested to the requirements of PD CEN/TS16415:2013 for 3 persons
- Exceeds the requirements of IRATA ICOP & BS7985 (15kN MBL)

## Materials & Finishes

- Frame and beam - 6082 T6 Aluminium alloy. Anodized.
- Castors - Steel. Bright Zinc Plated.
- Castor Wheels & Rollers - Nylon & Polyurethane
- Fixings - Steel. Grade 12:9. Bright Zinc Plated.



Approved

DO NOT SCALE DRAWING

REVISION

03



Reid Lifting Limited. Unit 1  
Wyeview, Newhouse Farm Ind. Est.,  
Chepstow, Monmouthshire,  
NP16 6UD, UK

Tel +44(0)1291 620796  
Fax: +44(0)1291 626490

[www.reidlifting.com](http://www.reidlifting.com)

[enquiries@reidlifting.com](mailto:enquiries@reidlifting.com)

	NAME	DATE
DRAWN	TB	12/05/2021
CHK'D		
APP'VD	CM	09/03/2023

UNLESS OTHERWISE SPECIFIED:  
DIMENSIONS ARE IN MILLIMETERS

ALL COPYRIGHT AND DESIGN RIGHT SUBSISTING IN THIS DOCUMENT IS THE PROPERTY OF REID LIFTING LIMITED AND MAY NOT BE REPRODUCED WITHOUT REID LIFTING'S CONSENT. THIS DOCUMENT AND THE INFORMATION CONTAINED WITHIN IT IS CONFIDENTIAL AND MAY NOT BE DISCLOSED TO ANY THIRD PARTY NOR USED FOR ANY UNAUTHORIZED PURPOSE WITHOUT REID LIFTING'S CONSENT



TITLE:

**General Arrangement of REID Lifting  
Porta-Gantry Size: Intermediate -  
WLL500kg 5500mm Beam**

DWG NO.

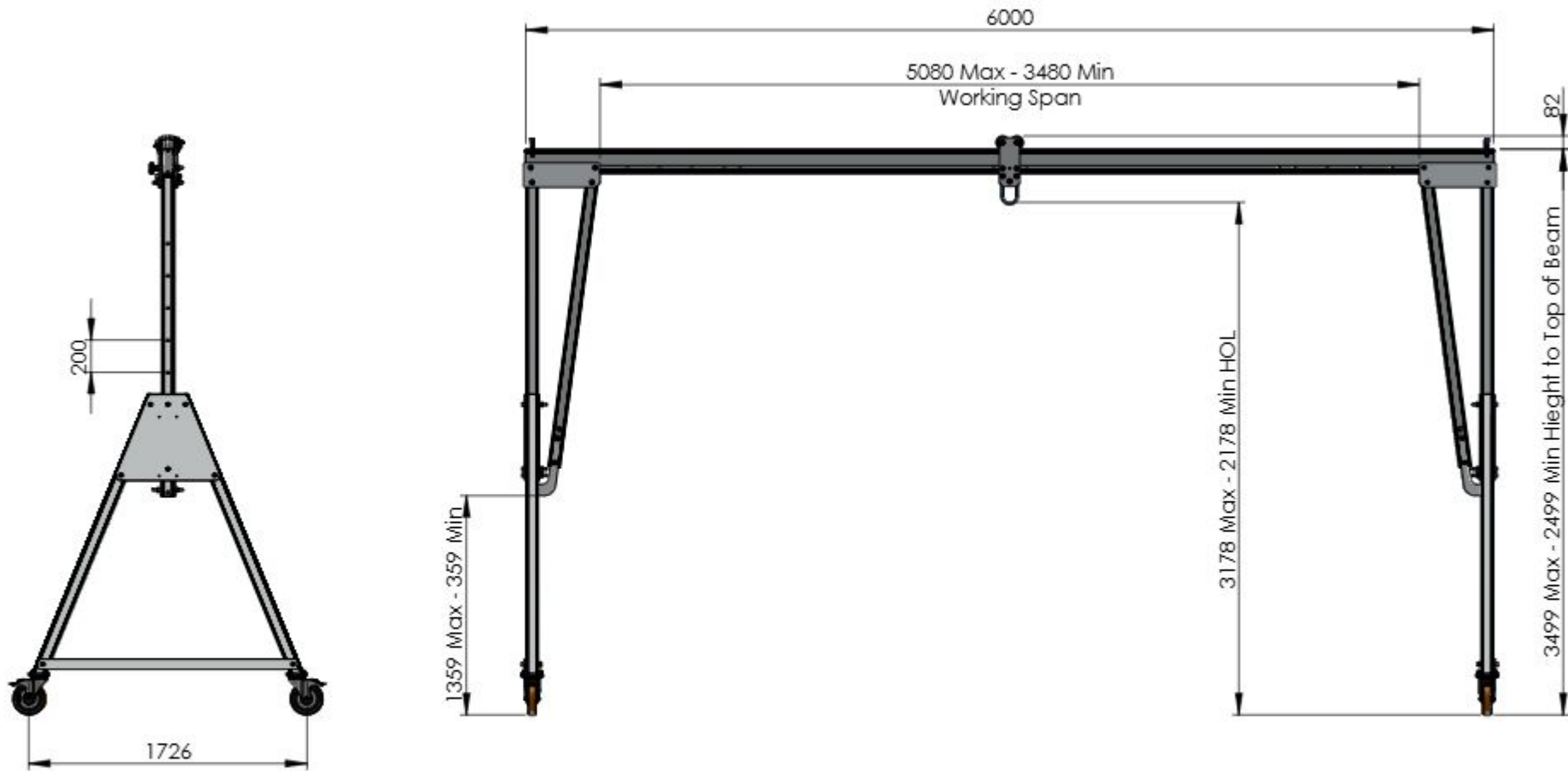
**PGSS00500I-5500A**

A4

Estimated Weight: 141kg

1:40

SHEET 2 OF 2



DO NOT SCALE DRAWING

REVISION **03**



Reid Lifting Limited. Unit 1  
Wyeview, Newhouse Farm Ind. Est.,  
Chepstow, Monmouthshire.  
NP16 6UD, UK

Tel +44(0) 1291 620796  
Fax +44(0) 1291 626490

[www.reidlifting.com](http://www.reidlifting.com)

[enquiries@reidlifting.com](mailto:enquiries@reidlifting.com)

	NAME	DATE	FINISH:
DRAWN	AB	09/06/2020	Galvanised
CHK'D			MATERIAL:
APPR'D	CM	09/03/2023	Aluminium Alloy
<small>ALL COPYRIGHT AND DESIGN RIGHT SUBSISTING IN THIS DOCUMENT IS THE PROPERTY OF REID LIFTING LIMITED AND MAY NOT BE REPRODUCED WITHOUT REID LIFTING'S CONSENT. THIS DOCUMENT AND THE INFORMATION CONTAINED WITHIN IT IS CONFIDENTIAL AND MAY NOT BE DISCLOSED TO ANY THIRD PARTY NOR USED FOR ANY UNAUTHORISED PURPOSE WITHOUT REID LIFTING'S CONSENT</small>			
<small>UNLESS OTHERWISE SPECIFIED: DIMENSIONS ARE IN MILLIMETERS</small>			

TITLE: **General Arrangement of REID Lifting  
Porta-Gantry Size: Intermediate -  
WLL500kg 6000mm Beam**

DWG NO. **PGSS00500I-6000A**

A4

Estimated Weight: 144kg

1:40

SHEET 1 OF 2

## General Specification

- Maximum rated capacity for goods lifting - 500kg
- Maximum rated capacity for personnel lifting - 250kg
- Beam deflection at maximum rated capacity of 500kg - between 25 - 35mm at centre of span
- Maximum castor surface pressure at full load - 12.72 Mpa
- Assembled gantry weight (excluding trollies) - 144kg
- All welding to BS EN ISO 15614-2: 2005 by certified welders.
- For further details and assembly information refer to Operations and Maintenance Manual for Porta Gantry Product. (available at [www.reidlifting.com](http://www.reidlifting.com))

## Fall Protection Standards

- Certified to EN795:2012 Type B & supplied under the PPE regulation 2016/425
- Notified Body Witness tested to the requirements of PD CEN/TS16415:2013 for 3 persons
- Exceeds the requirements of IRATA ICOP & BS7985 (15kN MBL)

## Materials & Finishes

- Frame and beam - 6082 T6 Aluminium alloy. Anodized.
- Castors - Steel. Bright Zinc Plated.
- Castor Wheels & Rollers - Nylon & Polyurethane
- Fixings - Steel. Grade 12:9. Bright Zinc Plated.

Note: Master Link Trolleys shown in system as a reference



Approved

DO NOT SCALE DRAWING

REVISION

03



Reid Lifting Limited. Unit 1  
Wyeview, Newhouse Farm Ind. Est.,  
Chepstow, Monmouthshire.  
NP16 6UD, UK

Tel +44(0)1291 620796  
Fax: +44(0)1291 626490

[www.reidlifting.com](http://www.reidlifting.com)

[enquiries@reidlifting.com](mailto:enquiries@reidlifting.com)

	NAME	DATE
DRAWN	AB	09/06/2020
CHK'D		
APP'VD	CM	09/03/2023

UNLESS OTHERWISE SPECIFIED:  
DIMENSIONS ARE IN MILLIMETERS

ALL COPYRIGHT AND DESIGN RIGHT SUBSISTING IN THIS DOCUMENT IS THE PROPERTY OF REID LIFTING LIMITED AND MAY NOT BE REPRODUCED WITHOUT REID LIFTING'S CONSENT. THIS DOCUMENT AND THE INFORMATION CONTAINED WITHIN IT IS CONFIDENTIAL AND MAY NOT BE DISCLOSED TO ANY THIRD PARTY NOR USED FOR ANY UNAUTHORISED PURPOSE WITHOUT REID LIFTING'S CONSENT



TITLE:

**General Arrangement of REID Lifting  
Porta-Gantry Size: Intermediate -  
WLL500kg 6000mm Beam**

DWG NO.

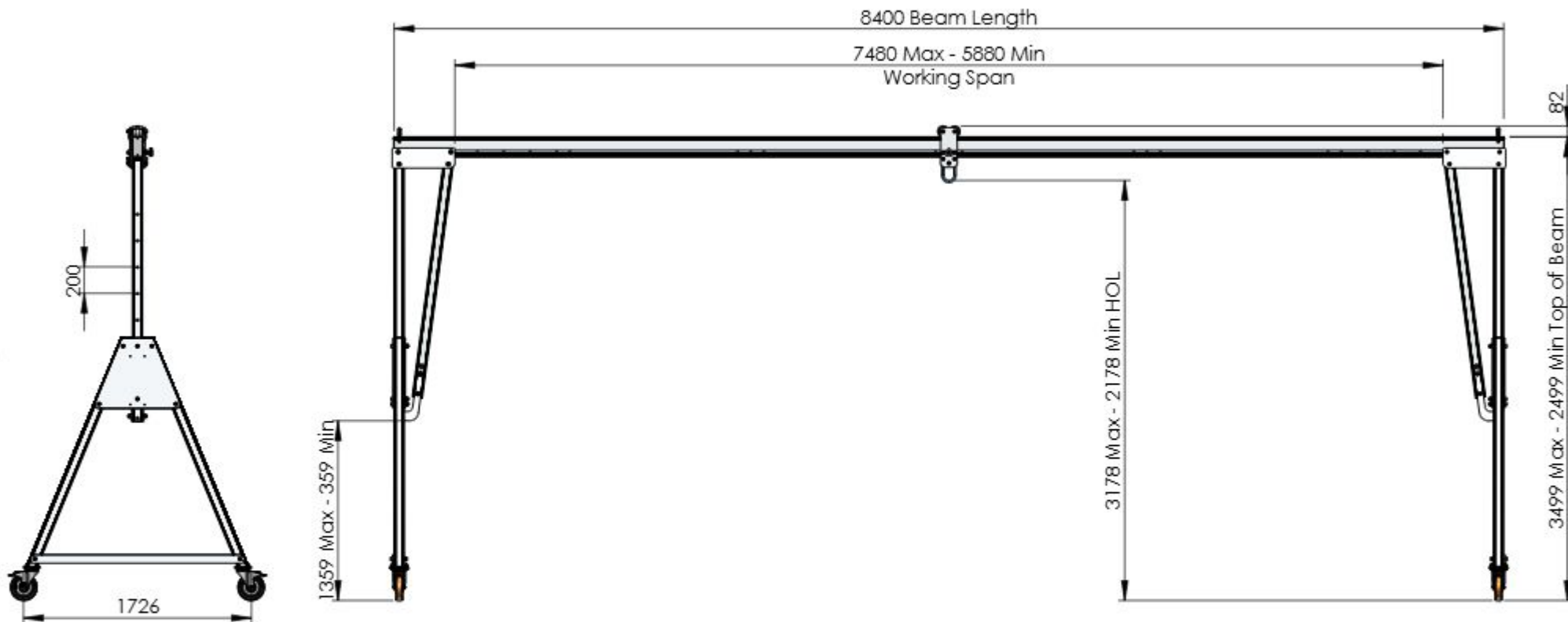
**PGSS00500I-6000A**

A4

Estimated Weight: 144kg

1:40

SHEET 2 OF 2



DO NOT SCALE DRAWING

REVISION **02**



Reid Lifting Limited. Unit 1  
Wyeview, Newhouse Farm Ind. Est.,  
Chepstow, Monmouthshire.  
NP16 6UD, UK

Tel +44(0) 1291 620796  
Fax +44(0) 1291 626490

[www.reidlifting.com](http://www.reidlifting.com)

[enquiries@reidlifting.com](mailto:enquiries@reidlifting.com)

	NAME	DATE	FINISH:
DRAWN	SS	14/05/2021	None
CHK'D			MATERIAL:
APPR'D	CM	09/0	Aluminium Alloy
<small>ALL COPYRIGHT AND DESIGN RIGHT SUBSISTING IN THIS DOCUMENT IS THE PROPERTY OF REID LIFTING LIMITED AND MAY NOT BE REPRODUCED WITHOUT REID LIFTING'S CONSENT. THIS DOCUMENT AND THE INFORMATION CONTAINED WITHIN IT IS CONFIDENTIAL AND MAY NOT BE DISCLOSED TO ANY THIRD PARTY NOR USED FOR ANY UNAUTHORISED PURPOSE WITHOUT REID LIFTING'S CONSENT</small>			
<small>UNLESS OTHERWISE SPECIFIED: DIMENSIONS ARE IN MILLIMETERS</small>			

TITLE: **General Arrangement of Reid Lifting PORTA-GANTRY Size Intermediate - 8400mm Beam**

DWG NO. **PGSS00500I-8400A** A4

Estimated Weight: 162kg 1:45 SHEET 1 OF 2

## General Specification

- Maximum rated capacity for goods lifting - 500kg
- Maximum rated capacity for personnel lifting - 250kg
- Beam deflection at maximum rated capacity of 500kg - between 60 - 70mm at centre of span
- Maximum castor surface pressure at full load - 12.92 Mpa
- Assembled gantry weight (excluding trolleys) - 162kg
- All welding to BS EN ISO 15614-2: 2005 by certified welders.
- For further details and assembly information refer to Operations and Maintenance Manual for Porta Gantry Product. (available at [www.reidlifting.com](http://www.reidlifting.com))

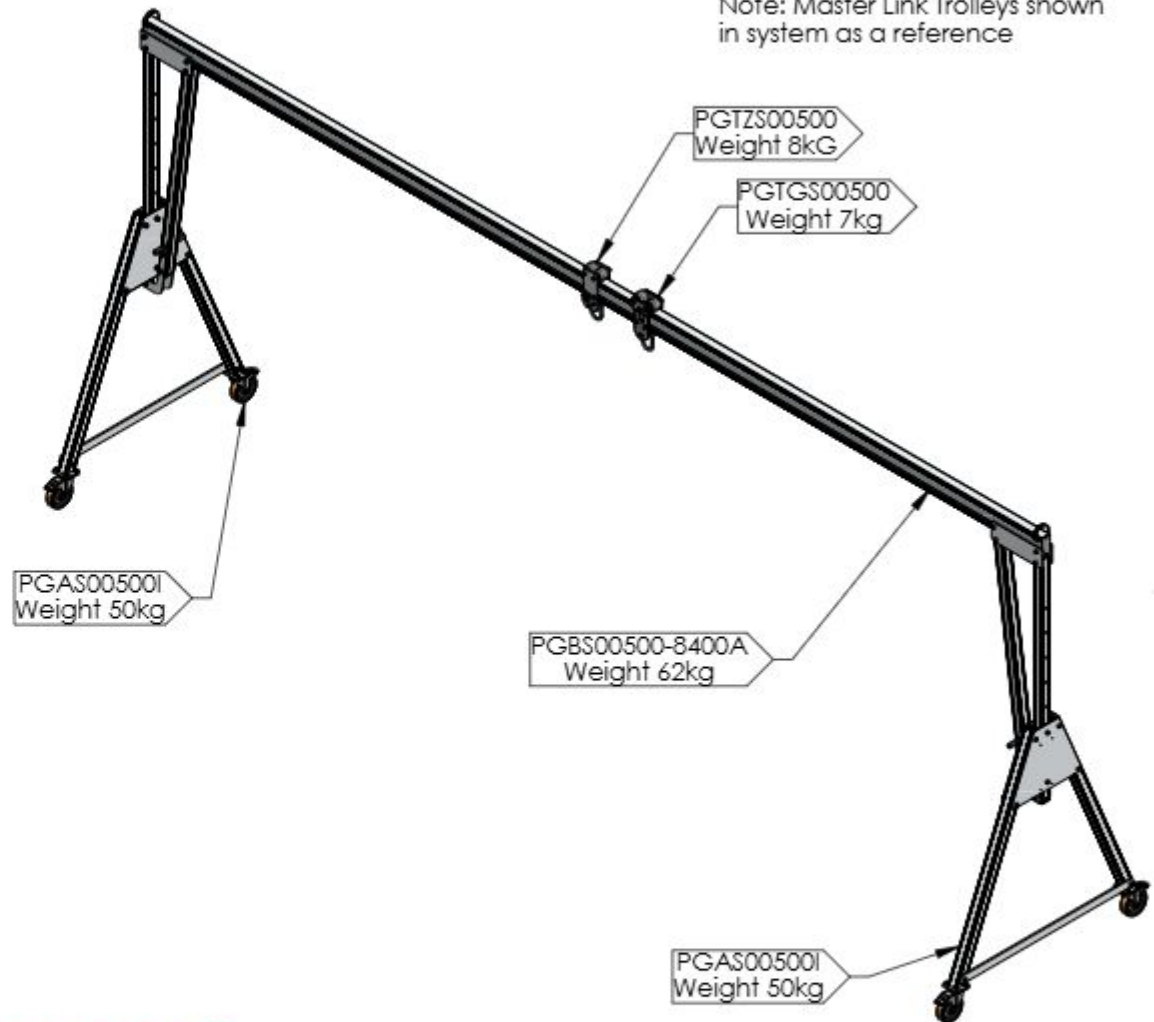
## Fall Protection Standards

- Certified to EN795:2012 Type B & supplied under the PPE regulation 2016/425
- Notified Body Witness tested to the requirements of PD CEN/TS16415:2013 for 3 persons
- Exceeds the requirements of IRATA ICOP & BS7985 (15kN MBL)

## Materials & Finishes

- Frame and beam - 6082 T6 Aluminium alloy. Anodized.
- Castors - Steel. Bright Zinc Plated.
- Castor Wheels & Rollers - Nylon & Polyurethane
- Fixings - Steel. Grade 12:9. Bright Zinc Plated.

Note: Master Link Trolleys shown in system as a reference



Approved

DO NOT SCALE DRAWING

REVISION **02**



Reid Lifting Limited. Unit 1  
Wyeview, Newhouse Farm Ind. Est.,  
Chepstow, Monmouthshire.  
NP16 6UD, UK

Tel +44(0)1291 620796  
Fax: +44(0)1291 626490

[www.reidlifting.com](http://www.reidlifting.com)

[enquiries@reidlifting.com](mailto:enquiries@reidlifting.com)

	NAME	DATE
DRAWN	SS	14/05/2021
CHK'D		
APP'VD	CM	09/03/2023

UNLESS OTHERWISE SPECIFIED:  
DIMENSIONS ARE IN MILLIMETERS

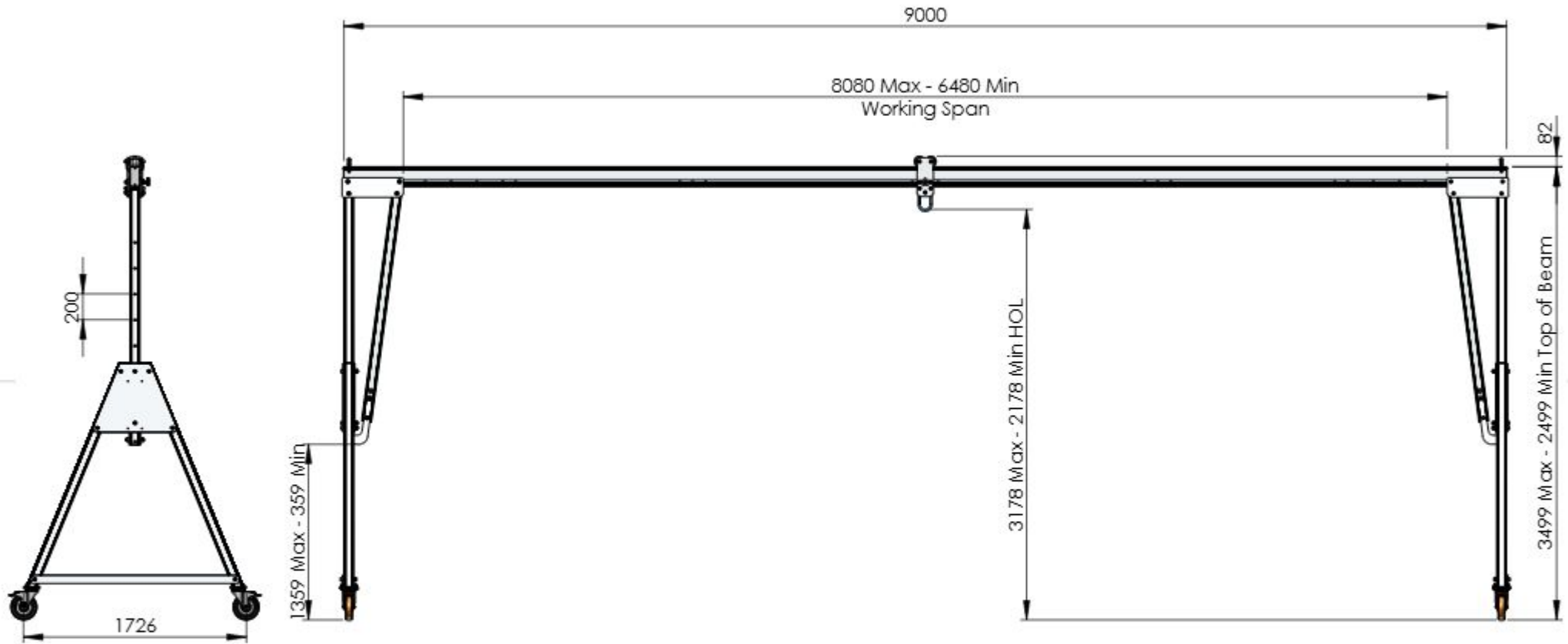
ALL COPYRIGHT AND DESIGN RIGHT SUBSISTING IN THIS DOCUMENT IS THE PROPERTY OF REID LIFTING LIMITED AND MAY NOT BE REPRODUCED WITHOUT REID LIFTING'S CONSENT. THIS DOCUMENT AND THE INFORMATION CONTAINED WITHIN IT IS CONFIDENTIAL AND MAY NOT BE DISCLOSED TO ANY THIRD PARTY NOR USED FOR ANY UNAUTHORISED PURPOSE WITHOUT REID LIFTING'S CONSENT



TITLE: **General Arrangement of Reid Lifting PORTA-GANTRY Size Intermediate - 8400mm Beam**

DWG NO. **PGSS00500I-8400A** **A4**

Estimated Weight: 162kg 1:50 SHEET 2 OF 2



DO NOT SCALE DRAWING

REVISION **02**



Reid Lifting Limited. Unit 1  
Wyeview, Newhouse Farm Ind. Est.,  
Chepstow, Monmouthshire.  
NP16 6UD, UK

Tel +44(0) 1291 620796  
Fax +44(0) 1291 626490

[www.reidlifting.com](http://www.reidlifting.com)

[enquiries@reidlifting.com](mailto:enquiries@reidlifting.com)

	NAME	DATE	FINISH:
DRAWN	SS	14/05/2021	None
CHK'D			MATERIAL:
APP'VD	CM	09/0	Aluminium Alloy
<small>ALL COPYRIGHT AND DESIGN RIGHT SUBSISTING IN THIS DOCUMENT IS THE PROPERTY OF REID LIFTING LIMITED AND MAY NOT BE REPRODUCED WITHOUT REID LIFTING'S CONSENT. THIS DOCUMENT AND THE INFORMATION CONTAINED WITHIN IT IS CONFIDENTIAL AND MAY NOT BE DISCLOSED TO ANY THIRD PARTY NOR USED FOR ANY UNAUTHORISED PURPOSE WITHOUT REID LIFTING'S CONSENT</small>			
<small>UNLESS OTHERWISE SPECIFIED: DIMENSIONS ARE IN MILLIMETERS</small>			



TITLE: **General Arrangement of Reid Lifting PORTA-GANTRY Size Intermediate -9000mm Beam**

DWG NO. **PGSS00500I-9000A** A4

Estimated Weight: 166kg 1:45 SHEET 1 OF 2

## General Specification

- Maximum rated capacity for goods lifting - 500kg
- Maximum rated capacity for personnel lifting - 250kg
- Beam deflection at maximum rated capacity of 500kg - between 80 - 90mm at centre of span
- Maximum castor surface pressure at full load - 12.96 Mpa
- Assembled gantry weight (excluding trolleys) - 166kg
- All welding to BS EN ISO 15614-2: 2005 by certified welders.
- For further details and assembly information refer to Operations and Maintenance Manual for Porta Gantry Product. (available at [www.reidlifting.com](http://www.reidlifting.com))

## Fall Protection Standards

- Certified to EN795:2012 Type B & supplied under the PPE regulation 2016/425
- Notified Body Witness tested to the requirements of PD CEN/TS16415:2013 for 3 persons
- Exceeds the requirements of IRATA ICOP & BS7985 (15kN MBL)

## Materials & Finishes

- Frame and beam - 6082 T6 Aluminium alloy. Anodized.
- Castors - Steel. Bright Zinc Plated.
- Castor Wheels & Rollers - Nylon & Polyurethane
- Fixings - Steel. Grade 12:9. Bright Zinc Plated.



Approved

DO NOT SCALE DRAWING

REVISION **02**



Reid Lifting Limited. Unit 1  
Wyeview, Newhouse Farm Ind. Est.,  
Chepstow, Monmouthshire.  
NP16 6UD, UK

Tel +44(0)1291 620796  
Fax: +44(0)1291 626490

[www.reidlifting.com](http://www.reidlifting.com)

[enquiries@reidlifting.com](mailto:enquiries@reidlifting.com)

	NAME	DATE
DRAWN	SS	14/05/2021
CHK'D		
APP'VD	CM	09/03/2023

UNLESS OTHERWISE SPECIFIED:  
DIMENSIONS ARE IN MILLIMETERS

ALL COPYRIGHT AND DESIGN RIGHT SUBSISTING IN THIS DOCUMENT IS THE PROPERTY OF REID LIFTING LIMITED AND MAY NOT BE REPRODUCED WITHOUT REID LIFTING'S CONSENT. THIS DOCUMENT AND THE INFORMATION CONTAINED WITHIN IT IS CONFIDENTIAL AND MAY NOT BE DISCLOSED TO ANY THIRD PARTY NOR USED FOR ANY UNAUTHORIZED PURPOSE WITHOUT REID LIFTING'S CONSENT



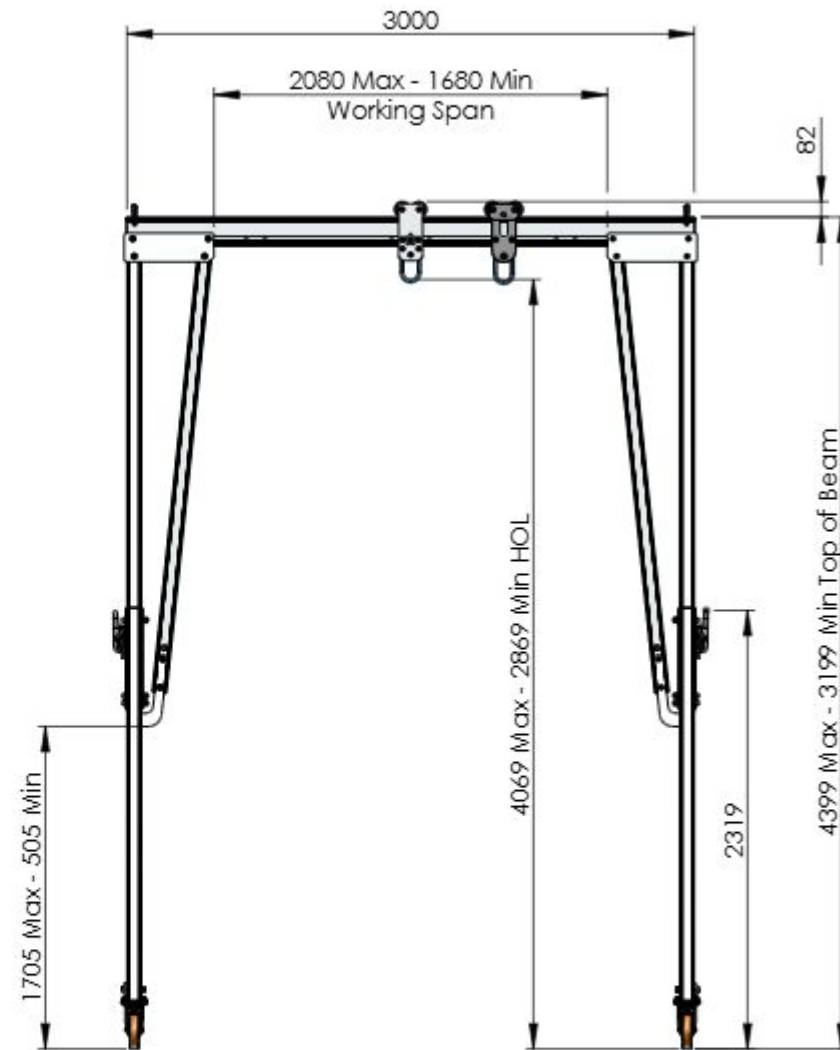
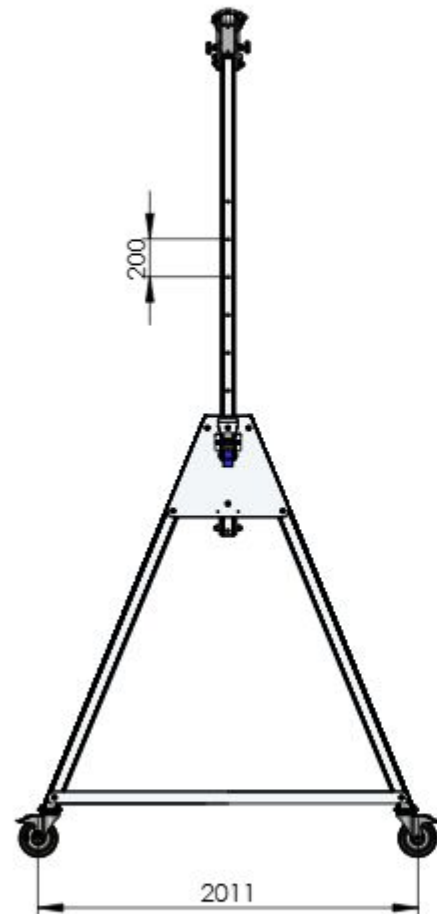
TITLE: **General Arrangement of Reid Lifting PORTA-GANTRY Size Intermediate - 9000mm Beam**

DWG NO. **PGSS00500I-9000A** **A4**

Estimated Weight: 166kg 1:50 SHEET 2 OF 2



To ensure stability of the structure, the working span of the beam must be equal or greater than the distance between castors on the A-frame



DO NOT SCALE DRAWING

REVISION **03**



Reid Lifting Limited. Unit 1  
Wyeview, Newhouse Farm Ind. Est.,  
Chepstow, Monmouthshire.  
NP16 6UD, UK

Tel +44(0) 1291 620796  
Fax +44(0) 1291 626490

[www.reidlifting.com](http://www.reidlifting.com)

[enquiries@reidlifting.com](mailto:enquiries@reidlifting.com)

	NAME	DATE	FINISH:
DRAWN	BJ	08/02/2021	Anodised
CHK'D			MATERIAL:
APP'VD	CM	09/03/2023	Aluminium Alloy
<small>ALL COPYRIGHT AND DESIGN RIGHT SUBSISTING IN THIS DOCUMENT IS THE PROPERTY OF REID LIFTING LIMITED AND MAY NOT BE REPRODUCED WITHOUT REID LIFTING'S CONSENT. THIS DOCUMENT AND THE INFORMATION CONTAINED WITHIN IT IS CONFIDENTIAL AND MAY NOT BE DISCLOSED TO ANY THIRD PARTY NOR USED FOR ANY UNAUTHORISED PURPOSE WITHOUT REID LIFTING'S CONSENT</small>			
<small>UNLESS OTHERWISE SPECIFIED: DIMENSIONS ARE IN MILLIMETERS</small>			



TITLE: **General Arrangement of  
REID Lifting Porta-Gantry Size  
Tall 3000mm Beam WLL500kg**

DWG NO. **PGSS00500T-3000A**

A4

Estimated Weight: 134kg

1:40

SHEET 1 OF 2

## General Specification

- Maximum rated capacity for goods lifting - 500kg
- Maximum rated capacity for personnel lifting - 250kg
- Beam deflection at maximum rated capacity of 500kg - between 0-5 mm at centre of span
- Maximum castor surface pressure at full load - 12.62 MPa
- Assembled gantry weight (excluding trolleys) - 134kg
- All welding to BS EN ISO 15614-2: 2005 by certified welders.
- For further details and assembly information refer to Operations and Maintenance Manual for Porta Gantry Product. (available at [www.reidlifting.com](http://www.reidlifting.com))

## Fall Protection Standards

- Certified to EN795:2012 Type B & supplied under PPE Regulation 2016/425
- Notified Body Witness tested to the requirements of PD CEN/TS16415:2013 for 3 persons
- Exceeds the requirements of IRATA ICOP & BS7985 (15kN MBL)
- Tested to and meets the requirements of ANSI Z359.18.2017 for 2 persons.

## Materials & Finishes

- Frame and beam - 6082 T6 Aluminium alloy. Anodised.
- Castors - Steel. Bright Zinc Plated.
- Castor Wheels & Rollers - Nylon & Polyurethane
- Fixings - Steel. Grade 12.9. Bright Zinc Plated.

Note: Master Link Trolleys shown in system as a reference



Approved

DO NOT SCALE DRAWING

REVISION

03

**REID**  
**LIFTING**

Reid Lifting Limited. Unit 1  
Wyeview, Newhouse Farm Ind. Est.,  
Chepstow, Monmouthshire.  
NP16 6UD, UK

Tel +44(0)1291 620796  
Fax: +44(0)1291 626490

[www.reidlifting.com](http://www.reidlifting.com)

[enquiries@reidlifting.com](mailto:enquiries@reidlifting.com)

	NAME	DATE
DRAWN	BJ	08/02/2021
CHK'D		
APPR'D	CM	09/03/2023

UNLESS OTHERWISE SPECIFIED:  
DIMENSIONS ARE IN MILLIMETERS

ALL COPYRIGHT AND DESIGN RIGHT SUBSISTING IN THIS DOCUMENT IS THE PROPERTY OF REID LIFTING LIMITED AND MAY NOT BE REPRODUCED WITHOUT REID LIFTING'S CONSENT. THIS DOCUMENT AND THE INFORMATION CONTAINED WITHIN IT IS CONFIDENTIAL AND MAY NOT BE DISCLOSED TO ANY THIRD PARTY NOR USED FOR ANY UNAUTHORISED PURPOSE WITHOUT REID LIFTING'S CONSENT



TITLE: **General Arrangement of REID Lifting Porta-Gantry Size Tall 3000mm Beam WLL500kg**

DWG NO.

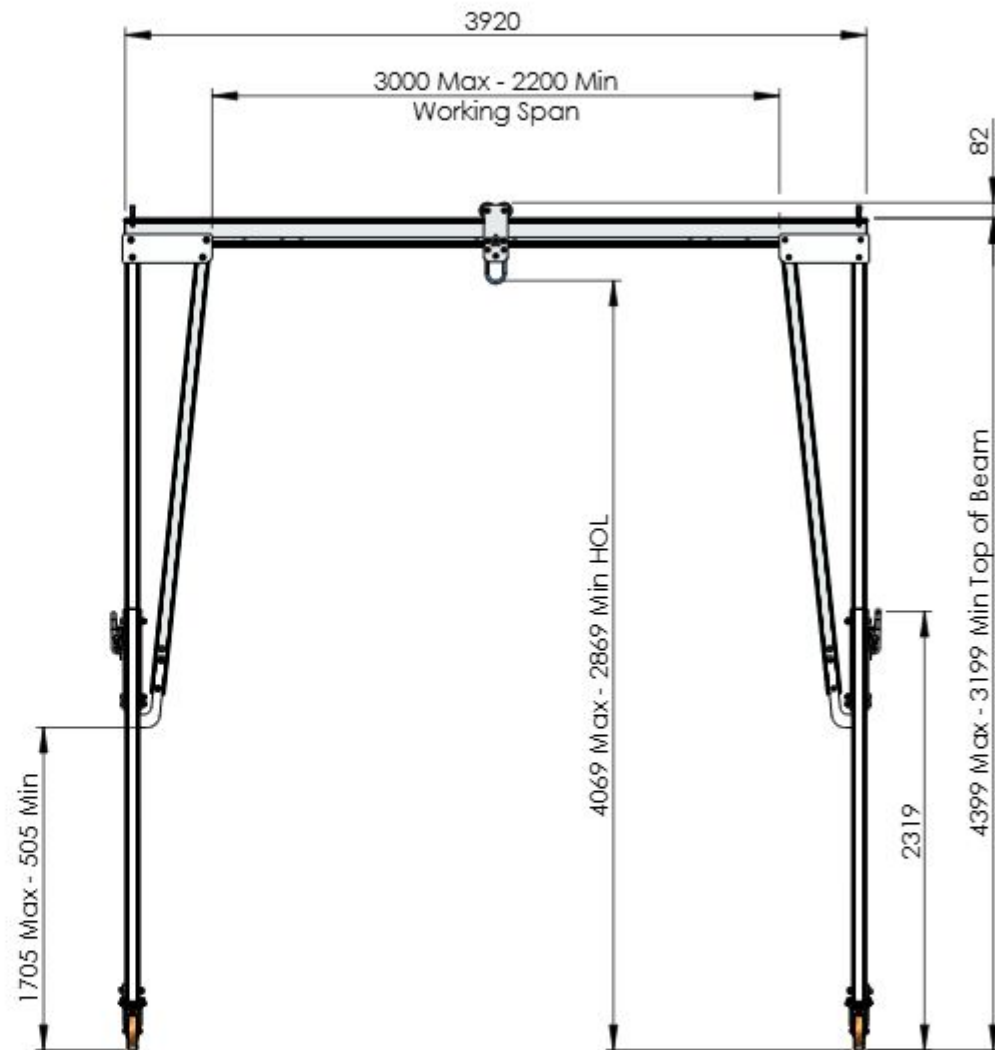
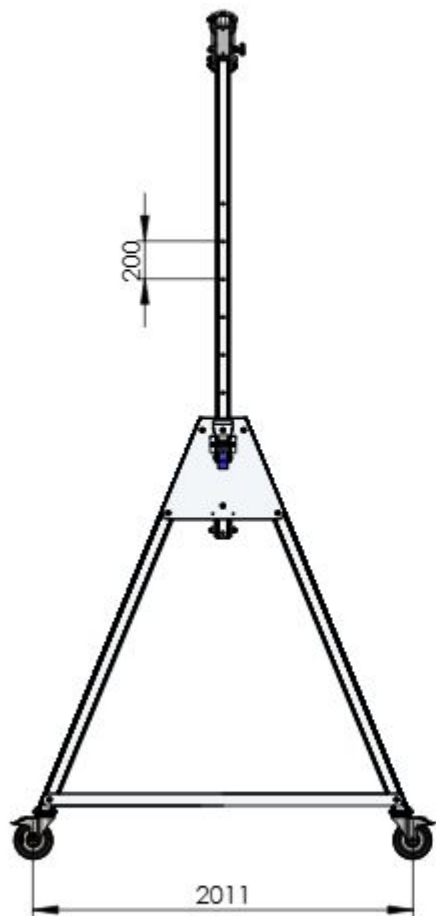
**PGSS00500T-3000A**

A4

Estimated Weight: 134kg

1:35

SHEET 2 OF 2



DO NOT SCALE DRAWING

REVISION **02**



Reid Lifting Limited. Unit 1  
Wyeview, Newhouse Farm Ind. Est.,  
Chepstow, Monmouthshire,  
NP16 6UD, UK

Tel +44(0) 1291 620796  
Fax +44(0) 1291 626490

[www.reidlifting.com](http://www.reidlifting.com)

[enquiries@reidlifting.com](mailto:enquiries@reidlifting.com)

	NAME	DATE	FINISH:
DRAWN	SS	20/05/2021	Anodised
CHK'D			MATERIAL:
APPR'D	CM	09/03/2023	Aluminium Alloy
<small>ALL COPYRIGHT AND DESIGN RIGHT SUBSISTING IN THIS DOCUMENT IS THE PROPERTY OF REID LIFTING LIMITED AND MAY NOT BE REPRODUCED WITHOUT REID LIFTING'S CONSENT. THIS DOCUMENT AND THE INFORMATION CONTAINED WITHIN IT IS CONFIDENTIAL AND MAY NOT BE DISCLOSED TO ANY THIRD PARTY NOR USED FOR ANY UNAUTHORISED PURPOSE WITHOUT REID LIFTING'S CONSENT</small>			
<small>UNLESS OTHERWISE SPECIFIED: DIMENSIONS ARE IN MILLIMETERS</small>			



TITLE: **General Arrangement of  
REID Lifting Porta-Gantry Size  
Tall 3920mm Beam WLL500kg**

DWG NO. **PGSS00500T-3920A**

A4

Estimated Weight: 141kg

1:40

SHEET 1 OF 2

## General Specification

- Maximum rated capacity for goods lifting - 500kg
- Maximum rated capacity for personnel lifting - 250kg
- Beam deflection at maximum rated capacity of 500kg - between 5 - 10mm at centre of span
- Maximum castor surface pressure at full load - 12.69 Mpa
- Assembled gantry weight (excluding trollies) - 141kg
- All welding to BS EN ISO 15614-2: 2005 by certified welders.
- For further details and assembly information refer to Operations and Maintenance Manual for Porta Gantry Product. (available at [www.reidlifting.com](http://www.reidlifting.com))

## Fall Protection Standards

- Certified to EN795:2012 Type B & supplied under PPE Regulation 2016/425
- Notified Body Witness tested to the requirements of PD CEN/TS16415:2013 for 3 persons
- Exceeds the requirements of IRATA ICOP & BS7985 (15kN MBL)
- Tested to and meets the requirements of ANSI Z359.18.2017 for 2 persons.

## Materials & Finishes

- Frame and beam - 6082 T6 Aluminium alloy. Anodized.
- Castors - Steel. Bright Zinc Plated.
- Castor Wheels & Rollers - Nylon & Polyurethane
- Fixings - Steel. Grade 12.9. Bright Zinc Plated.

Note: Master Link Trolleys shown in system as a reference



Approved

DO NOT SCALE DRAWING

REVISION **02**



Reid Lifting Limited. Unit 1  
Wyeview, Newhouse Farm Ind. Est.,  
Chepstow, Monmouthshire.  
NP16 6UD, UK

Tel +44(0)1291 620796  
Fax: +44(0)1291 626490

[www.reidlifting.com](http://www.reidlifting.com)

[enquiries@reidlifting.com](mailto:enquiries@reidlifting.com)

	NAME	DATE
DRAWN	SS	20/05/2021
CHK'D		
APP'VD	CM	09/03/2023

UNLESS OTHERWISE SPECIFIED:  
DIMENSIONS ARE IN MILLIMETERS

ALL COPYRIGHT AND DESIGN RIGHT SUBSISTING IN THIS DOCUMENT IS THE PROPERTY OF REID LIFTING LIMITED AND MAY NOT BE REPRODUCED WITHOUT REID LIFTING'S CONSENT. THIS DOCUMENT AND THE INFORMATION CONTAINED WITHIN IT IS CONFIDENTIAL AND MAY NOT BE DISCLOSED TO ANY THIRD PARTY NOR USED FOR ANY UNAUTHORISED PURPOSE WITHOUT REID LIFTING'S CONSENT



TITLE: **General Arrangement of REID Lifting Porta-Gantry Size Tall 3920mm Beam WLL500kg**

DWG NO.

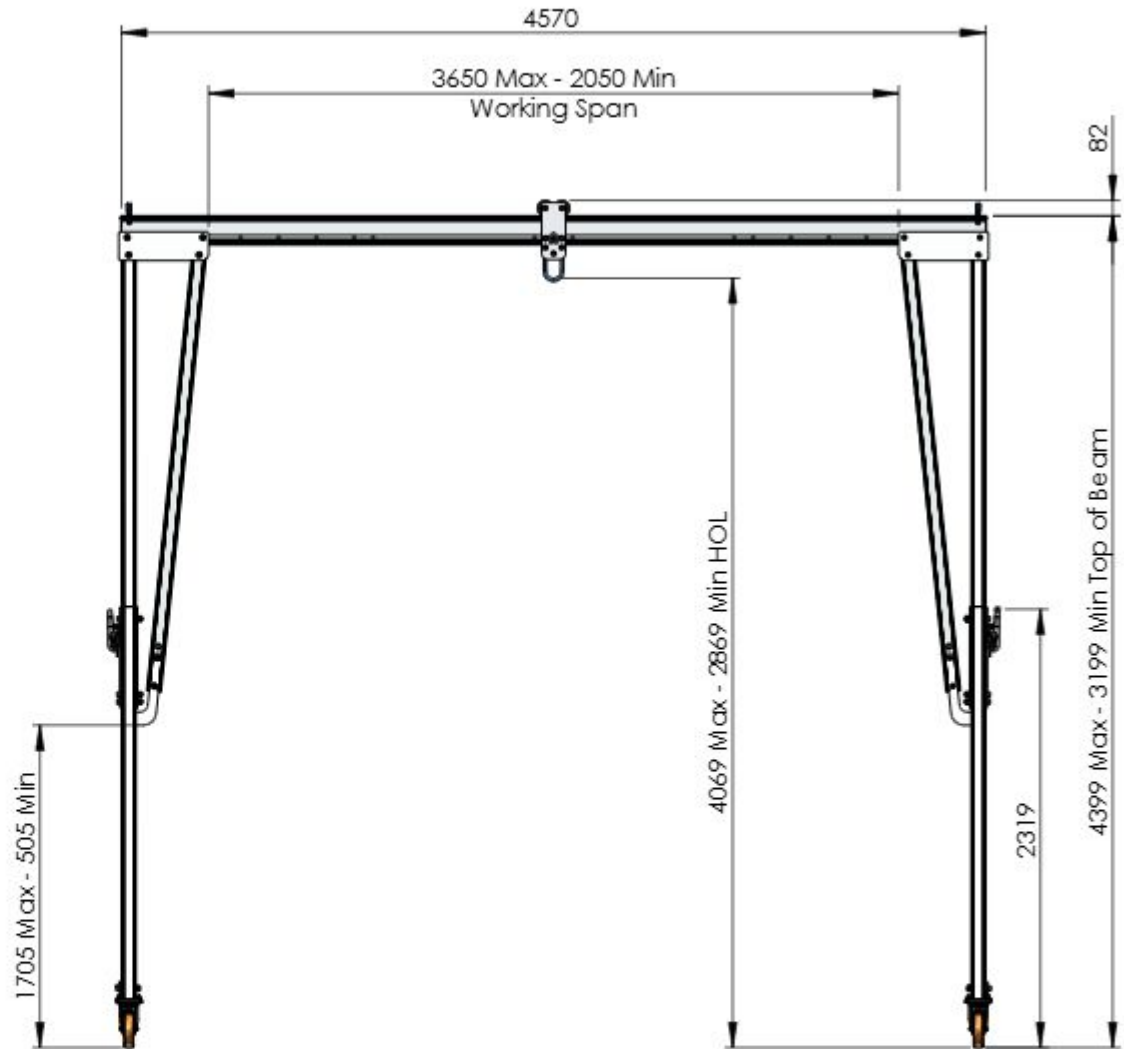
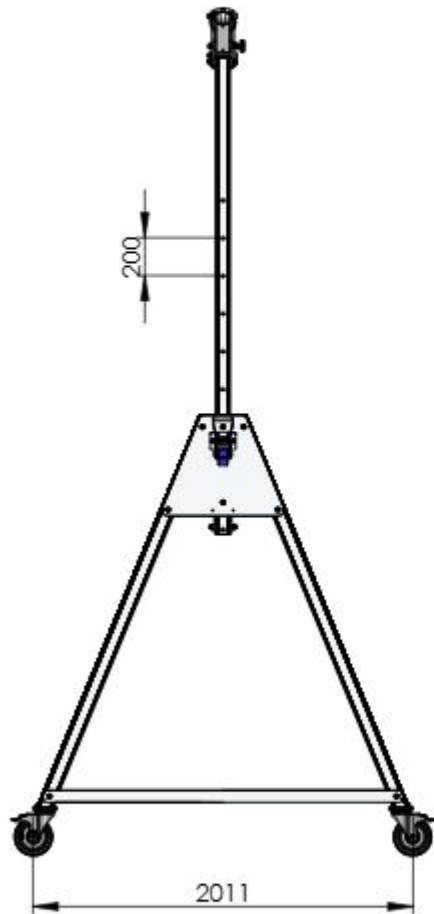
**PGSS00500T-3920A**

A4

Estimated Weight: 141kg

1:45

SHEET 2 OF 2



DO NOT SCALE DRAWING

REVISION **02**



Reid Lifting Limited. Unit 1  
Wyeview, Newhouse Farm Ind. Est.,  
Chepstow, Monmouthshire,  
NP16 6UD, UK

Tel +44(0) 1291 620796  
Fax +44(0) 1291 626490

[www.reidlifting.com](http://www.reidlifting.com)

[enquiries@reidlifting.com](mailto:enquiries@reidlifting.com)

	NAME	DATE	FINISH:
DRAWN	SS	25/05/2021	Anodised
CHK'D			MATERIAL:
APP'VD	CM	09/03/2023	Aluminium Alloy
<small>ALL COPYRIGHT AND DESIGN RIGHT SUBSISTING IN THIS DOCUMENT IS THE PROPERTY OF REID LIFTING LIMITED AND MAY NOT BE REPRODUCED WITHOUT REID LIFTING'S CONSENT. THIS DOCUMENT AND THE INFORMATION CONTAINED WITHIN IT IS CONFIDENTIAL AND MAY NOT BE DISCLOSED TO ANY THIRD PARTY NOR USED FOR ANY UNAUTHORISED PURPOSE WITHOUT REID LIFTING'S CONSENT</small>			
<small>UNLESS OTHERWISE SPECIFIED: DIMENSIONS ARE IN MILLIMETERS</small>			



TITLE: **General Arrangement of  
REID Lifting Porta-Gantry Size  
Tall 4570mm Beam WLL500kg**

DWG NO.

**PGSS00500T-4570A**

A4

Estimated Weight: 145kg

1:40

SHEET 1 OF 2

## General Specification

- Maximum rated capacity for goods lifting - 500kg
- Maximum rated capacity for personnel lifting - 250kg
- Beam deflection at maximum rated capacity of 500kg - between 10 - 15mm at centre of span
- Maximum castor surface pressure at full load - 12.74 Mpa
- Assembled gantry weight (excluding trollies) - 145kg
- All welding to BS EN ISO 15614-2: 2005 by certified welders.
- For further details and assembly information refer to Operations and Maintenance Manual for Porta Gantry Product. (available at [www.reidlifting.com](http://www.reidlifting.com))

## Fall Protection Standards

- Certified to EN795:2012 Type B & supplied under PPE Regulation 2016/425
- Notified Body Witness tested to the requirements of PD CEN/TS16415:2013 for 3 persons
- Exceeds the requirements of IRATA ICOP & BS7985 (15kN MBL)
- Tested to and meets the requirements of ANSI Z359.18.2017 for 2 persons.

## Materials & Finishes

- Frame and beam - 6082 T6 Aluminium alloy. Anodized.
- Castors - Steel. Bright Zinc Plated.
- Castor Wheels & Rollers - Nylon & Polyurethane
- Fixings - Steel. Grade 12.9. Bright Zinc Plated.

Note: Master Link Trollies shown in system as a reference



Approved

DO NOT SCALE DRAWING

REVISION **02**



Reid Lifting Limited. Unit 1  
Wyeview, Newhouse Farm Ind. Est.,  
Chepstow, Monmouthshire.  
NP16 6UD, UK

Tel +44(0)1291 620796  
Fax: +44(0)1291 626490

[www.reidlifting.com](http://www.reidlifting.com)

[enquiries@reidlifting.com](mailto:enquiries@reidlifting.com)

	NAME	DATE
DRAWN	SS	25/05/2021
CHK'D		
APP'VD	CM	09/03/2023

UNLESS OTHERWISE SPECIFIED:  
DIMENSIONS ARE IN MILLIMETERS

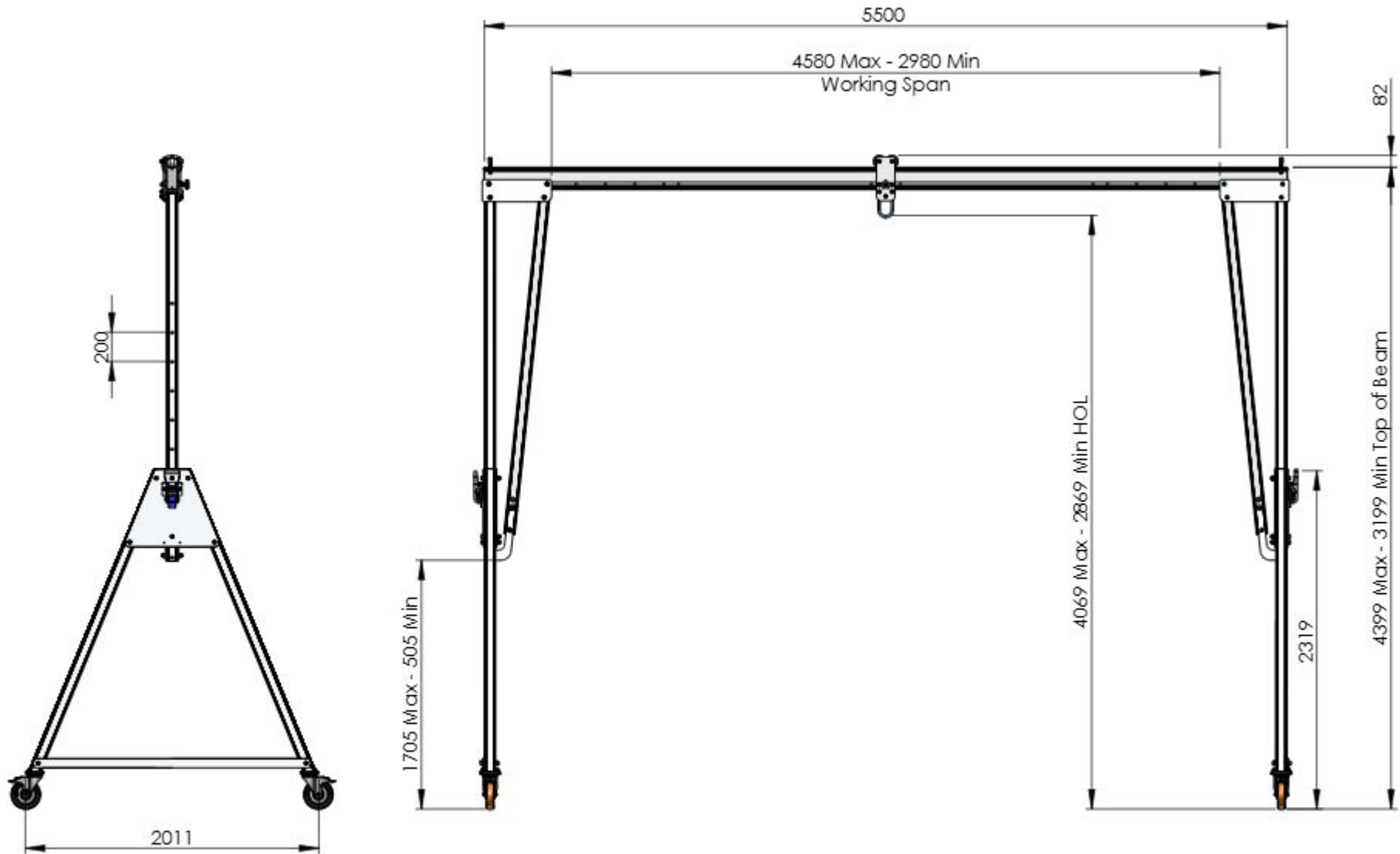
ALL COPYRIGHT AND DESIGN RIGHT SUBSISTING IN THIS DOCUMENT IS THE PROPERTY OF REID LIFTING LIMITED AND MAY NOT BE REPRODUCED WITHOUT REID LIFTING'S CONSENT. THIS DOCUMENT AND THE INFORMATION CONTAINED WITHIN IT IS CONFIDENTIAL AND MAY NOT BE DISCLOSED TO ANY THIRD PARTY NOR USED FOR ANY UNAUTHORISED PURPOSE WITHOUT REID LIFTING'S CONSENT



TITLE: **General Arrangement of REID Lifting Porta-Gantry Size Tall 4570mm Beam WLL500kg**

DWG NO. **PGSS00500T-4570A** **A4**

Estimated Weight: 145kg 1:45 SHEET 2 OF 2



DO NOT SCALE DRAWING

REVISION **02**



Reid Lifting Limited. Unit 1  
Wyeview, Newhouse Farm Ind. Est.,  
Chepstow, Monmouthshire.  
NP16 6UD, UK

Tel +44(0) 1291 620796  
Fax +44(0) 1291 626490

[www.reidlifting.com](http://www.reidlifting.com)

[enquiries@reidlifting.com](mailto:enquiries@reidlifting.com)

	NAME	DATE	FINISH:
DRAWN	SS	25/05/2021	Anodised
CHK'D			MATERIAL:
APPR'D	CM	09/03/2023	Aluminium Alloy
<small>ALL COPYRIGHT AND DESIGN RIGHT SUBSISTING IN THIS DOCUMENT IS THE PROPERTY OF REID LIFTING LIMITED AND MAY NOT BE REPRODUCED WITHOUT REID LIFTING'S CONSENT. THIS DOCUMENT AND THE INFORMATION CONTAINED WITHIN IT IS CONFIDENTIAL AND MAY NOT BE DISCLOSED TO ANY THIRD PARTY NOR USED FOR ANY UNAUTHORISED PURPOSE WITHOUT REID LIFTING'S CONSENT</small>			
<small>UNLESS OTHERWISE SPECIFIED: DIMENSIONS ARE IN MILLIMETERS</small>			



TITLE: **General Arrangement of  
REID Lifting Porta-Gantry Size  
Tall 5500mm Beam WLL500kg**

DWG NO. **PGSS00500T-5500A**

A4

Estimated Weight: 152kg

1:40

SHEET 1 OF 2

## General Specification

- Maximum rated capacity for goods lifting - 500kg
- Maximum rated capacity for personnel lifting - 250kg
- Beam deflection at maximum rated capacity of 500kg - between 20 - 30mm at centre of span
- Maximum castor surface pressure at full load - 12.82 Mpa
- Assembled gantry weight (excluding trollies) - 152kg
- All welding to BS EN ISO 15614-2: 2005 by certified welders.
- For further details and assembly information refer to Operations and Maintenance Manual for Porta Gantry Product. (available at [www.reidlifting.com](http://www.reidlifting.com))

## Fall Protection Standards

- Certified to EN795:2012 Type B & supplied under PPE Regulation 2016/425
- Notified Body Witness tested to the requirements of PD CEN/TS16415:2013 for 3 persons
- Exceeds the requirements of IRATA ICOP & BS7985 (15kN MBL)

## Materials & Finishes

- Frame and beam - 6082 T6 Aluminium alloy. Anodized.
- Castors - Steel. Bright Zinc Plated.
- Castor Wheels & Rollers - Nylon & Polyurethane
- Fixings - Steel. Grade 12:9. Bright Zinc Plated.

Note: Master Link Trolleys shown in system as a reference



Approved

DO NOT SCALE DRAWING

REVISION **02**



Reid Lifting Limited. Unit 1  
Wyeview, Newhouse Farm Ind. Est.,  
Chepstow, Monmouthshire.  
NP16 6UD, UK

Tel +44(0)1291 620796  
Fax: +44(0)1291 626490

[www.reidlifting.com](http://www.reidlifting.com)

[enquiries@reidlifting.com](mailto:enquiries@reidlifting.com)

	NAME	DATE
DRAWN	SS	25/05/2021
CHK'D		
APPR'D	CM	09/03/2023

UNLESS OTHERWISE SPECIFIED:  
DIMENSIONS ARE IN MILLIMETERS

ALL COPYRIGHT AND DESIGN RIGHT SUBSISTING IN THIS DOCUMENT IS THE PROPERTY OF REID LIFTING LIMITED AND MAY NOT BE REPRODUCED WITHOUT REID LIFTING'S CONSENT. THIS DOCUMENT AND THE INFORMATION CONTAINED WITHIN IT IS CONFIDENTIAL AND MAY NOT BE DISCLOSED TO ANY THIRD PARTY NOR USED FOR ANY UNAUTHORIZED PURPOSE WITHOUT REID LIFTING'S CONSENT



TITLE: **General Arrangement of REID Lifting Porta-Gantry Size Tall 5500mm Beam WLL500kg**

DWG NO.

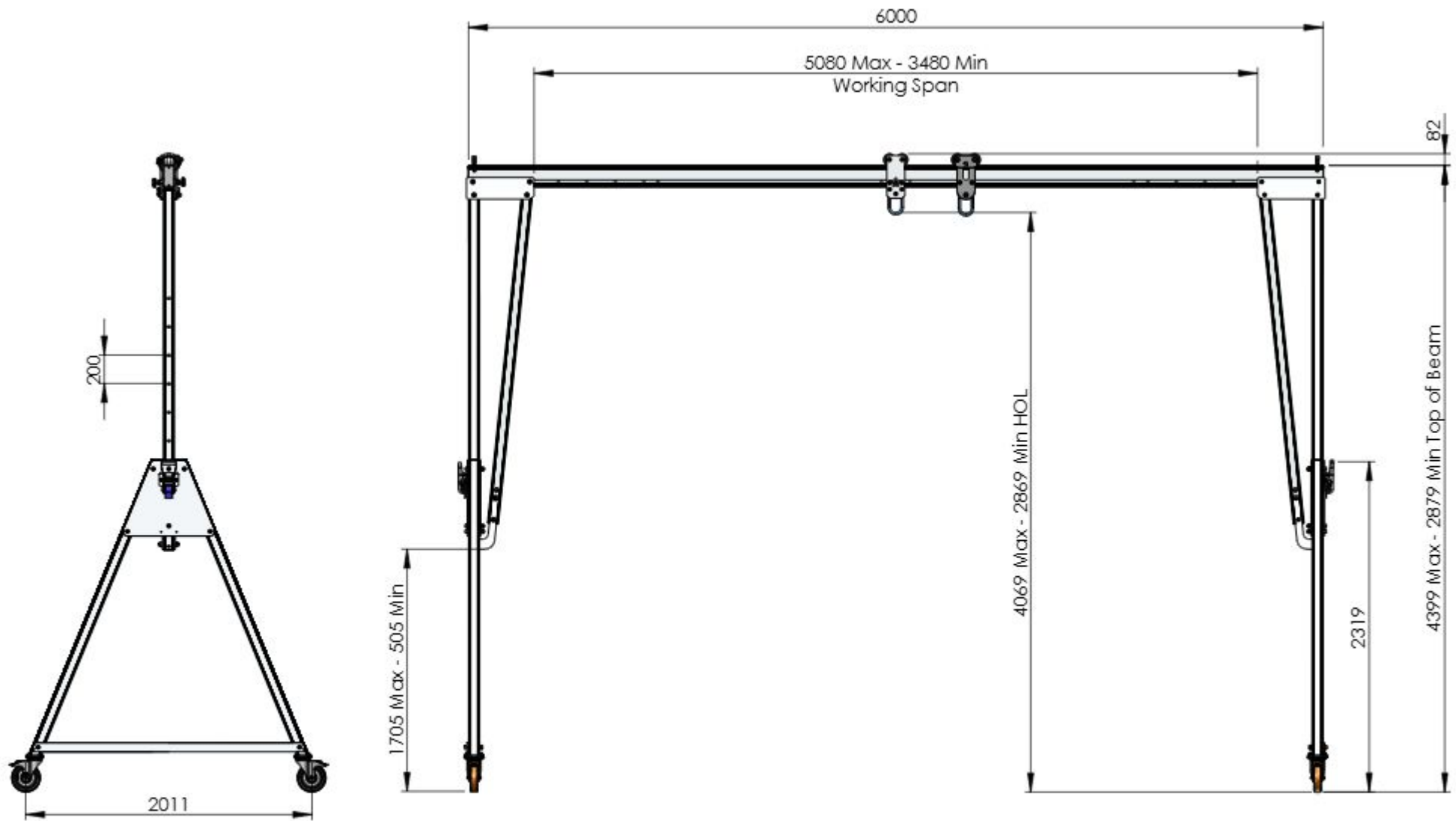
**PGSS00500T-5500A**

A4

Estimated Weight: 152kg

1:45

SHEET 2 OF 2



DO NOT SCALE DRAWING

REVISION **03**



Reid Lifting Limited. Unit 1  
Wyeview, Newhouse Farm Ind. Est.,  
Chepstow, Monmouthshire.  
NP16 6UD, UK

Tel +44(0) 1291 620796  
Fax +44(0) 1291 626490

[www.reidlifting.com](http://www.reidlifting.com)

[enquiries@reidlifting.com](mailto:enquiries@reidlifting.com)

	NAME	DATE	FINISH:
DRAWN	BJ	15/02/2021	Anodised
CHK'D			MATERIAL:
APP'VD	CM	09/03/2023	Aluminium Alloy
<small>ALL COPYRIGHT AND DESIGN RIGHT SUBSISTING IN THIS DOCUMENT IS THE PROPERTY OF REID LIFTING LIMITED AND MAY NOT BE REPRODUCED WITHOUT REID LIFTING'S CONSENT. THIS DOCUMENT AND THE INFORMATION CONTAINED WITHIN IT IS CONFIDENTIAL AND MAY NOT BE DISCLOSED TO ANY THIRD PARTY NOR USED FOR ANY UNAUTHORISED PURPOSE WITHOUT REID LIFTING'S CONSENT</small>			
<small>UNLESS OTHERWISE SPECIFIED: DIMENSIONS ARE IN MILLIMETERS</small>			



TITLE: **General Arrangement of  
REID Lifting Porta-Gantry Size  
Tall 6000mm Beam WLL500kg**

DWG NO. **PGSS00500T-6000A** A4

Estimated Weight: 156kg 1:40 SHEET 1 OF 2

## General Specification

- Maximum rated capacity for goods lifting - 500kg
- Maximum rated capacity for personnel lifting - 250kg
- Beam deflection at maximum rated capacity of 500kg - between 25-35 mm at centre of span
- Maximum castor surface pressure at full load - 12.86 MPa
- Assembled gantry weight (excluding trolleys) - 156kg
- All welding to BS EN ISO 15614-2: 2005 by certified welders.
- For further details and assembly information refer to Operations and Maintenance Manual for Porta Gantry Product. (available at [www.reidlifting.com](http://www.reidlifting.com))

## Fall Protection Standards

- Certified to EN795:2012 Type B & supplied under PPE Regulation 2016/425
- Notified Body Witness tested to the requirements of PD CEN/TS16415:2013 for 3 persons
- Exceeds the requirements of IRATA ICOP & BS7985 (15kN MBL)

## Materials & Finishes

- Frame and beam - 6082 T6 Aluminium alloy. Anodised.
- Castors - Steel. Bright Zinc Plated.
- Castor Wheels & Rollers - Nylon & Polyurethane
- Fixings - Steel. Grade 12:9. Bright Zinc Plated.

Note: Master Link Trolleys shown in system as a reference



Approved

DO NOT SCALE DRAWING

REVISION

03



Reid Lifting Limited. Unit 1  
Wyeview, Newhouse Farm Ind. Est.,  
Chepstow, Monmouthshire.  
NP16 6UD, UK

Tel +44(0)1291 620796  
Fax: +44(0)1291 626490

[www.reidlifting.com](http://www.reidlifting.com)

[enquiries@reidlifting.com](mailto:enquiries@reidlifting.com)

	NAME	DATE
DRAWN	BJ	15/02/2021
CHK'D		
APPR'D	CM	09/03/2023

UNLESS OTHERWISE SPECIFIED:  
DIMENSIONS ARE IN MILLIMETERS

ALL COPYRIGHT AND DESIGN RIGHT SUBSISTING IN THIS DOCUMENT IS THE PROPERTY OF REID LIFTING LIMITED AND MAY NOT BE REPRODUCED WITHOUT REID LIFTING'S CONSENT. THIS DOCUMENT AND THE INFORMATION CONTAINED WITHIN IT IS CONFIDENTIAL AND MAY NOT BE DISCLOSED TO ANY THIRD PARTY NOR USED FOR ANY UNAUTHORISED PURPOSE WITHOUT REID LIFTING'S CONSENT



TITLE: **General Arrangement of REID Lifting Porta-Gantry Size Tall 6000mm Beam WLL500kg**

DWG NO.

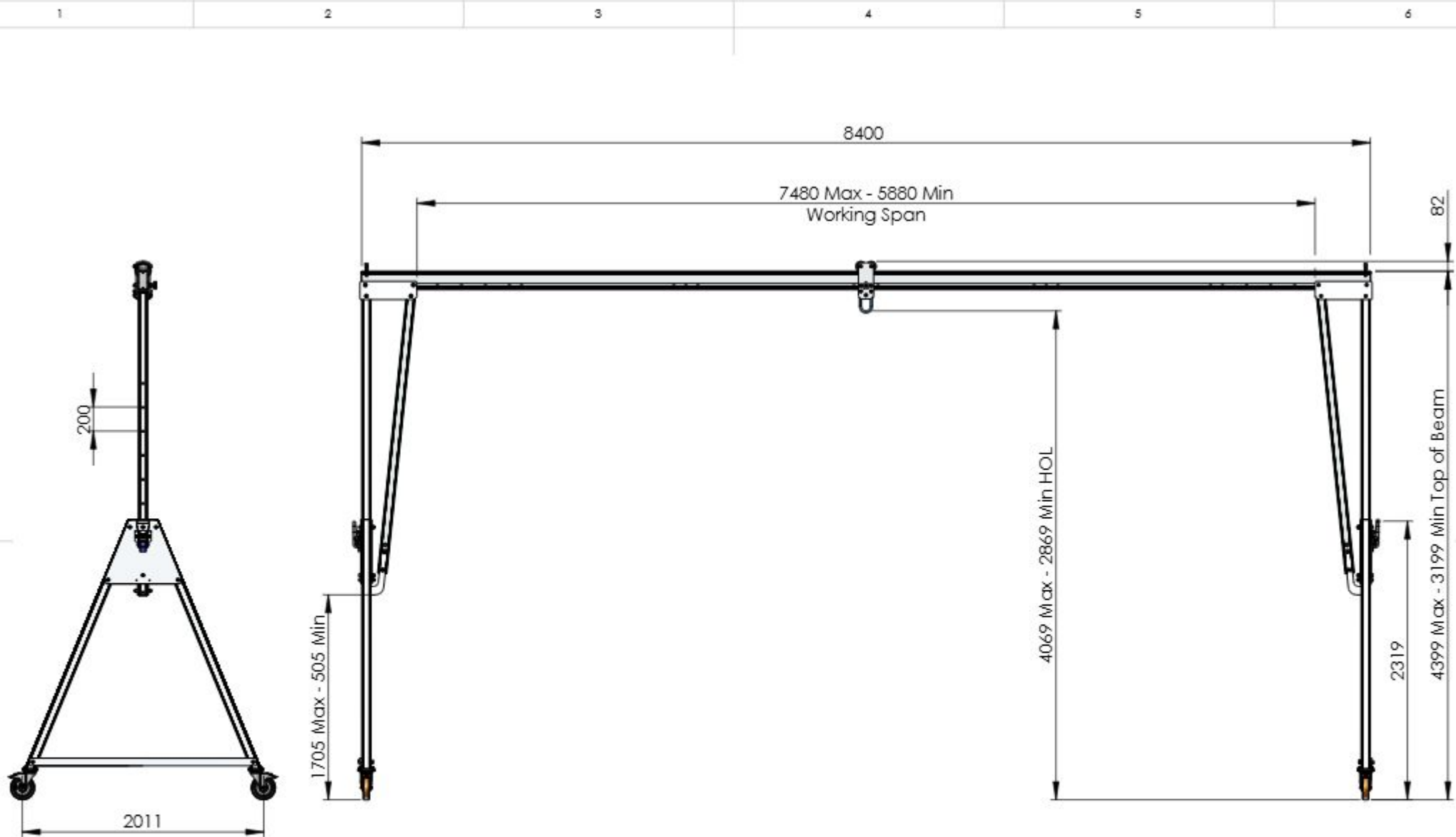
**PGSS00500T-6000A**

A4

Estimated Weight: 156kg

1:45

SHEET 2 OF 2



DO NOT SCALE DRAWING

REVISION **02**



Reid Lifting Limited. Unit 1  
Wyeview, Newhouse Farm Ind. Est.,  
Chepstow, Monmouthshire.  
NP16 6UD, UK

Tel +44(0) 1291 620796  
Fax +44(0) 1291 626490

[www.reidlifting.com](http://www.reidlifting.com)

[enquiries@reidlifting.com](mailto:enquiries@reidlifting.com)

	NAME	DATE	FINISH:
DRAWN	SS	25/05/2021	Anodised
CHK'D			MATERIAL:
APP'VD	CM	09/03/2023	Aluminium Alloy
<small>ALL COPYRIGHT AND DESIGN RIGHT SUBSISTING IN THIS DOCUMENT IS THE PROPERTY OF REID LIFTING LIMITED AND MAY NOT BE REPRODUCED WITHOUT REID LIFTING'S CONSENT. THIS DOCUMENT AND THE INFORMATION CONTAINED WITHIN IT IS CONFIDENTIAL AND MAY NOT BE DISCLOSED TO ANY THIRD PARTY NOR USED FOR ANY UNAUTHORISED PURPOSE WITHOUT REID LIFTING'S CONSENT</small>			
<small>UNLESS OTHERWISE SPECIFIED: DIMENSIONS ARE IN MILLIMETERS</small>			



TITLE: **General Arrangement of  
REID Lifting Porta-Gantry Size  
Tall 8400mm Beam WLL500kg**

DWG NO. **PGSS00500T-8400A**

A4

Estimated Weight: 173kg

1:45

SHEET 1 OF 2

## General Specification

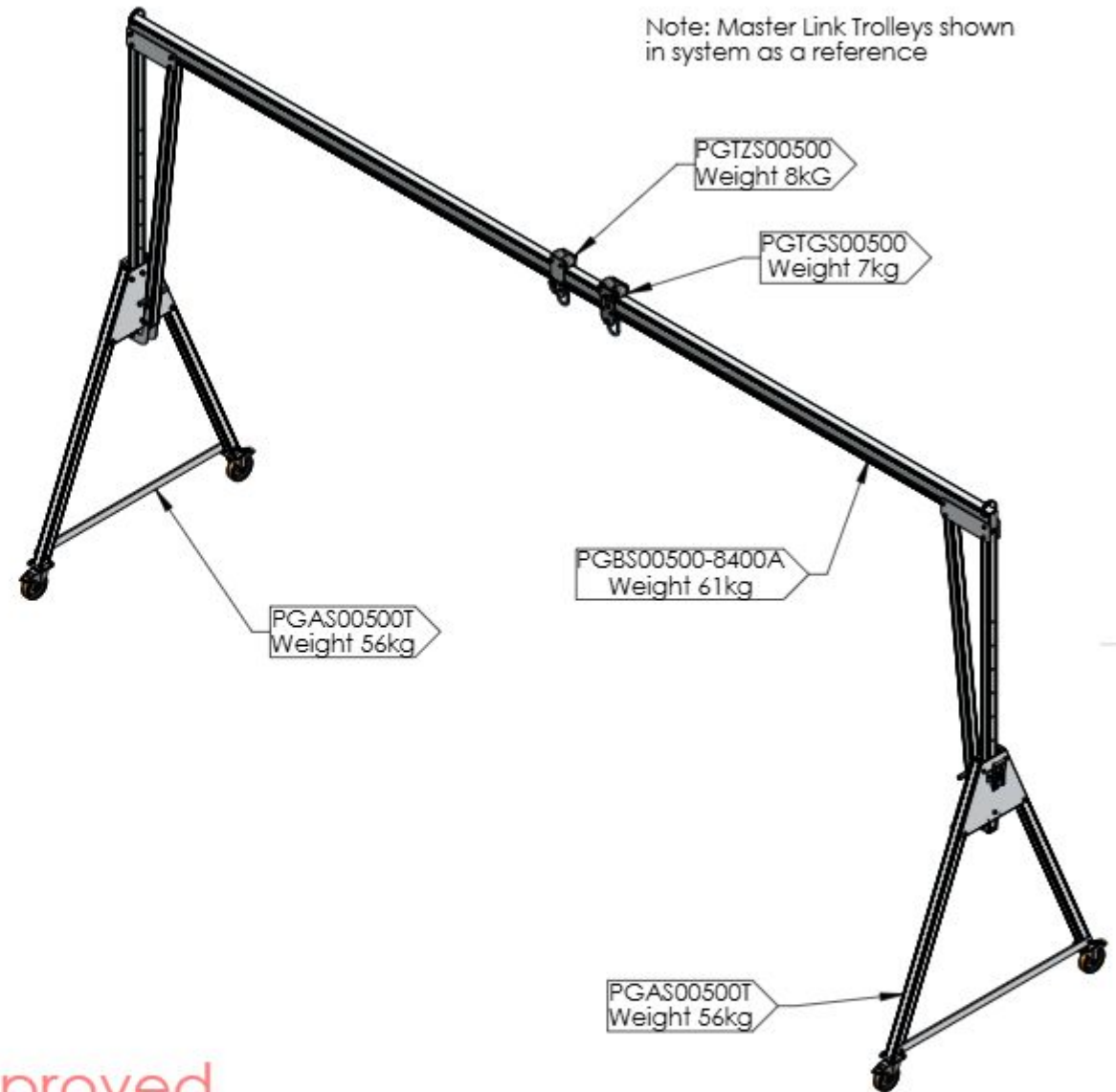
- Maximum rated capacity for goods lifting - 500kg
- Maximum rated capacity for personnel lifting - 250kg
- Beam deflection at maximum rated capacity of 500kg - between 60 - 70mm at centre of span
- Maximum castor surface pressure at full load - 13.05 Mpa
- Assembled gantry weight (excluding trolleys) - 173kg
- All welding to BS EN ISO 15614-2: 2005 by certified welders.
- For further details and assembly information refer to Operations and Maintenance Manual for Porta Gantry Product. (available at [www.reidlifting.com](http://www.reidlifting.com))

## Fall Protection Standards

- Certified to EN795:2012 Type B & supplied under PPE Regulation 2016/425
- Notified Body Witness tested to the requirements of PD CEN/TS16415:2013 for 3 persons
- Exceeds the requirements of IRATA ICOP & BS7985 (15kN MBL)

## Materials & Finishes

- Frame and beam - 6082 T6 Aluminium alloy. Anodized.
- Castors - Steel. Bright Zinc Plated.
- Castor Wheels & Rollers - Nylon & Polyurethane
- Fixings - Steel. Grade 12:9. Bright Zinc Plated.



Approved

DO NOT SCALE DRAWING

REVISION **02**



Reid Lifting Limited. Unit 1  
Wyeview, Newhouse Farm Ind. Est.,  
Chepstow, Monmouthshire.  
NP16 6UD, UK

Tel +44(0)1291 620796  
Fax: +44(0)1291 626490

[www.reidlifting.com](http://www.reidlifting.com)

[enquiries@reidlifting.com](mailto:enquiries@reidlifting.com)

	NAME	DATE
DRAWN	SS	25/05/2021
CHK'D		
APP'VD	CM	09/03/2023

UNLESS OTHERWISE SPECIFIED:  
DIMENSIONS ARE IN MILLIMETERS

ALL COPYRIGHT AND DESIGN RIGHT SUBSISTING IN THIS DOCUMENT IS THE PROPERTY OF REID LIFTING LIMITED AND MAY NOT BE REPRODUCED WITHOUT REID LIFTING'S CONSENT. THIS DOCUMENT AND THE INFORMATION CONTAINED WITHIN IT IS CONFIDENTIAL AND MAY NOT BE DISCLOSED TO ANY THIRD PARTY NOR USED FOR ANY UNAUTHORIZED PURPOSE WITHOUT REID LIFTING'S CONSENT



TITLE: **General Arrangement of REID Lifting Porta-Gantry Size Tall 8400mm Beam WLL500kg**

DWG NO.

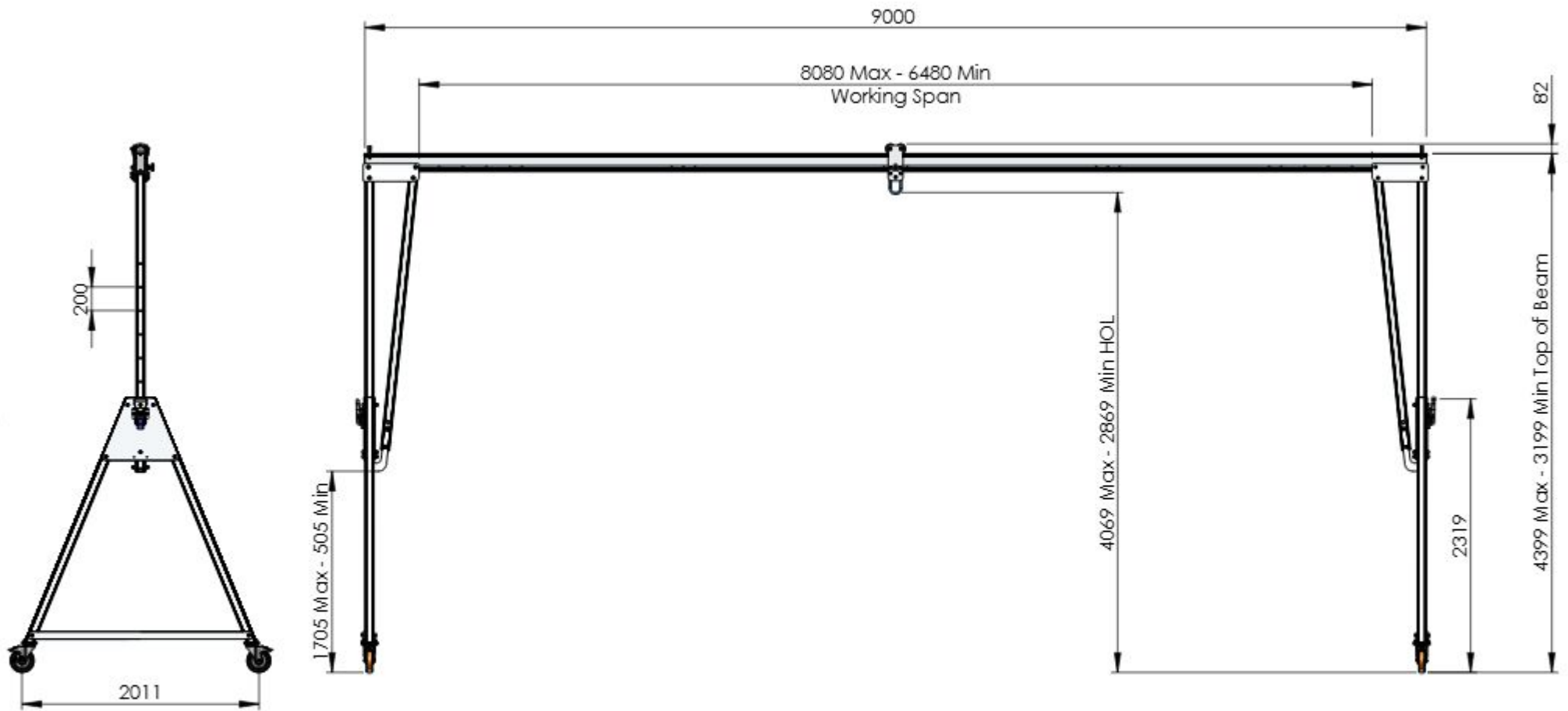
**PGSS00500T-8400A**

A4

Estimated Weight: 173kg

1:50

SHEET 2 OF 2



DO NOT SCALE DRAWING

REVISION **02**



Reid Lifting Limited. Unit 1  
Wyeview, Newhouse Farm Ind. Est.,  
Chepstow, Monmouthshire.  
NP16 6UD, UK

Tel +44(0) 1291 620796  
Fax +44(0) 1291 626490

[www.reidlifting.com](http://www.reidlifting.com)

[enquiries@reidlifting.com](mailto:enquiries@reidlifting.com)

	NAME	DATE	FINISH:
DRAWN	SS	25/05/2021	Anodised
CHK'D			MATERIAL:
APPR'D	CM	09/03/2023	Aluminium Alloy
<small>ALL COPYRIGHT AND DESIGN RIGHT SUBSISTING IN THIS DOCUMENT IS THE PROPERTY OF REID LIFTING LIMITED AND MAY NOT BE REPRODUCED WITHOUT REID LIFTING'S CONSENT. THIS DOCUMENT AND THE INFORMATION CONTAINED WITHIN IT IS CONFIDENTIAL AND MAY NOT BE DISCLOSED TO ANY THIRD PARTY NOR USED FOR ANY UNAUTHORISED PURPOSE WITHOUT REID LIFTING'S CONSENT</small>			
<small>UNLESS OTHERWISE SPECIFIED: DIMENSIONS ARE IN MILLIMETERS</small>			

TITLE:

**General Arrangement of REID  
Lifting Porta-Gantry Size Tall  
9000mm Beam WLL 500kg**

DWG NO.

**PGSS00500T-9000A**

A4

Estimated Weight: 178kg

1:50

SHEET 1 OF 2

## General Specification

- Maximum rated capacity for goods lifting - 500kg
- Maximum rated capacity for personnel lifting - 250kg
- Beam deflection at maximum rated capacity of 500kg - between 80 - 90mm at centre of span
- Maximum castor surface pressure at full load - 13.10 Mpa
- Assembled gantry weight (excluding trolleys) - 178kg
- All welding to BS EN ISO 15614-2: 2005 by certified welders.
- For further details and assembly information refer to Operations and Maintenance Manual for Porta Gantry Product. (available at [www.reidlifting.com](http://www.reidlifting.com))

## Fall Protection Standards

- Certified to EN795:2012 Type B & supplied under PPE Regulation 2016/425
- Notified Body Witness tested to the requirements of PD CEN/TS16415:2013 for 3 persons
- Exceeds the requirements of IRATA ICOP & BS7985 (15kN MBL)

## Materials & Finishes

- Frame and beam - 6082 T6 Aluminium alloy. Anodized.
- Castors - Steel. Bright Zinc Plated.
- Castor Wheels & Rollers - Nylon & Polyurethane
- Fixings - Steel. Grade 12:9. Bright Zinc Plated.

Note: Master Link Trolleys shown in system as a reference



Approved

DO NOT SCALE DRAWING

REVISION **02**



Reid Lifting Limited. Unit 1  
Wyeview, Newhouse Farm Ind. Est.,  
Chepstow, Monmouthshire.  
NP16 6UD, UK

Tel +44(0)1291 620796  
Fax: +44(0)1291 626490

[www.reidlifting.com](http://www.reidlifting.com)

[enquiries@reidlifting.com](mailto:enquiries@reidlifting.com)

	NAME	DATE
DRAWN	SS	25/05/2021
CHK'D		
APPROV'D	CM	09/03/2023

UNLESS OTHERWISE SPECIFIED:  
DIMENSIONS ARE IN MILLIMETERS

ALL COPYRIGHT AND DESIGN RIGHT SUBSISTING IN THIS DOCUMENT IS THE PROPERTY OF REID LIFTING LIMITED AND MAY NOT BE REPRODUCED WITHOUT REID LIFTING'S CONSENT. THIS DOCUMENT AND THE INFORMATION CONTAINED WITHIN IT IS CONFIDENTIAL AND MAY NOT BE DISCLOSED TO ANY THIRD PARTY NOR USED FOR ANY UNAUTHORIZED PURPOSE WITHOUT REID LIFTING'S CONSENT



TITLE: **General Arrangement of REID Lifting Porta-Gantry Size Tall 9000mm Beam WLL 500kg**

DWG NO.

**PGSS00500T-9000A**

A4

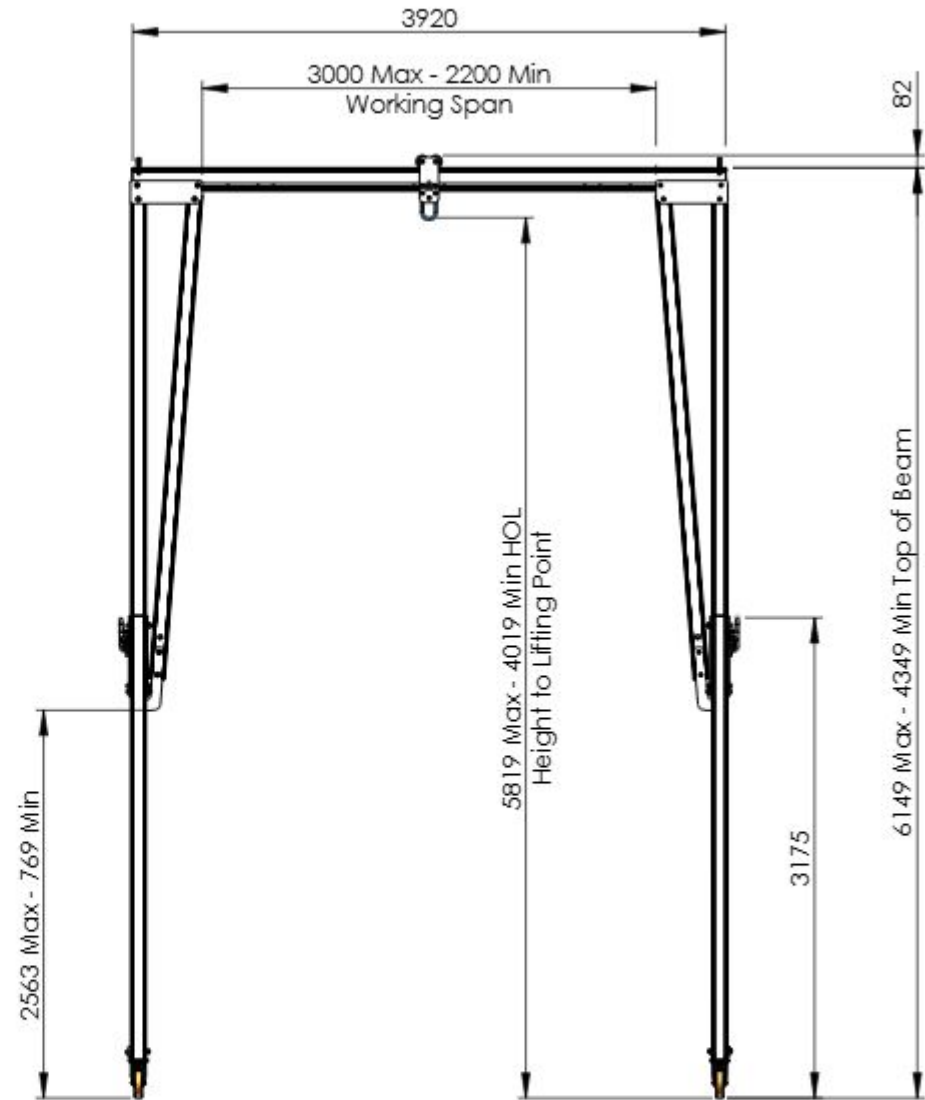
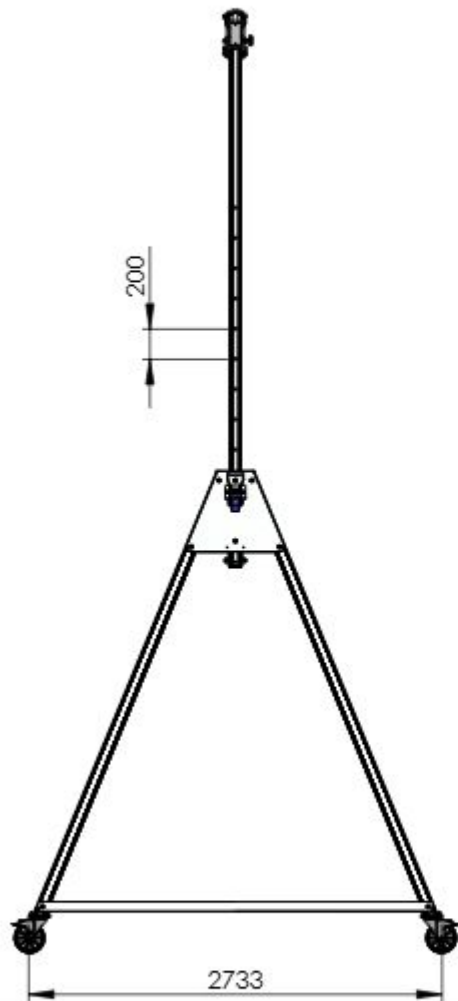
Estimated Weight: 178kg

1:50

SHEET 2 OF 2



To ensure stability of the structure, the working span of the beam must be equal to or greater than the distance between the castors on the A-Frame



DO NOT SCALE DRAWING

REVISION

03



Reid Lifting Limited. Unit 1  
Wyeview, Newhouse Farm Ind. Est.,  
Chepstow, Monmouthshire,  
NP16 6UD, UK

Tel +44(0) 1291 620796  
Fax +44(0) 1291 626490

[www.reidlifting.com](http://www.reidlifting.com)

[enquiries@reidlifting.com](mailto:enquiries@reidlifting.com)

	NAME	DATE	FINISH:
DRAWN	BJ	30/10/2020	Anodised
CHK'D			MATERIAL:
APPR'D	CM	09/03/2023	Aluminium Alloy
<small>ALL COPYRIGHT AND DESIGN RIGHT SUBSISTING IN THIS DOCUMENT IS THE PROPERTY OF REID LIFTING LIMITED AND MAY NOT BE REPRODUCED WITHOUT REID LIFTING'S CONSENT. THIS DOCUMENT AND THE INFORMATION CONTAINED WITHIN IT IS CONFIDENTIAL AND MAY NOT BE DISCLOSED TO ANY THIRD PARTY NOR USED FOR ANY UNAUTHORISED PURPOSE WITHOUT REID LIFTING'S CONSENT</small>			
<small>UNLESS OTHERWISE SPECIFIED: DIMENSIONS ARE IN MILLIMETERS</small>			



TITLE: **General Arrangement of REID Lifting Porta-Gantry Size TC1 3920mm Beam WLL500kg**

DWG NO.

**PGSS00500TC1-3920A**

A4

Estimated Weight: 233kg

1:50

SHEET 1 OF 2

## General Specification

- Maximum rated capacity for goods lifting - 500kg
- Maximum rated capacity for personnel lifting - 250kg
- Beam deflection at maximum rated capacity of 500kg - between 5-10 mm at centre of span
- Maximum castor surface pressure at full load - 13.7 MPa
- Assembled gantry weight (excluding trolleys) - 233kg
- All welding to BS EN ISO 15614-2: 2005 by certified welders.
- For further details and assembly information refer to Operations and Maintenance Manual for Porta Gantry Product. (available at [www.reidlifting.com](http://www.reidlifting.com))

## Fall Protection Standards

- Certified to EN795:2012 Type B & supplied under PPE Regulation 2016/425
- Notified Body Witness tested to the requirements of PD CEN/TS16415:2013 for 3 persons
- Exceeds the requirements of IRATA ICOP & BS7985 (15kN MBL)
- Tested to and meets the requirements of ANSI Z359.18.2017 for 2 persons.

## Materials & Finishes

- Frame and beam - 6082 T6 Aluminium alloy. Anodised.
- Castors - Steel. Bright Zinc Plated.
- Castor Wheels & Rollers - Aluminium & Polyurethane
- Fixings - Steel. Grade 12.9. Bright Zinc Plated.

Note: Master Link Trolleys shown in system as a reference



Approved

DO NOT SCALE DRAWING

REVISION **03**

**REID**  
**LIFTING**

Reid Lifting Limited. Unit 1  
Wyeview, Newhouse Farm Ind. Est.,  
Chepstow, Monmouthshire.  
NP16 6UD, UK

Tel +44(0)1291 620796  
Fax: +44(0)1291 626490

[www.reidlifting.com](http://www.reidlifting.com)

[enquiries@reidlifting.com](mailto:enquiries@reidlifting.com)

	NAME	DATE
DRAWN	BJ	30/10/2020
CHK'D		
APPR'D	CM	09/03/2023

UNLESS OTHERWISE SPECIFIED:  
DIMENSIONS ARE IN MILLIMETERS

ALL COPYRIGHT AND DESIGN RIGHT SUBSISTING IN THIS DOCUMENT IS THE PROPERTY OF REID LIFTING LIMITED AND MAY NOT BE REPRODUCED WITHOUT REID LIFTING'S CONSENT. THIS DOCUMENT AND THE INFORMATION CONTAINED WITHIN IT IS CONFIDENTIAL AND MAY NOT BE DISCLOSED TO ANY THIRD PARTY NOR USED FOR ANY UNAUTHORIZED PURPOSE WITHOUT REID LIFTING'S CONSENT



TITLE: **General Arrangement of REID Lifting Porta-Gantry Size TC1 3920mm Beam WLL500kg**

DWG NO. **PGSS00500TC1-3920A**

A4

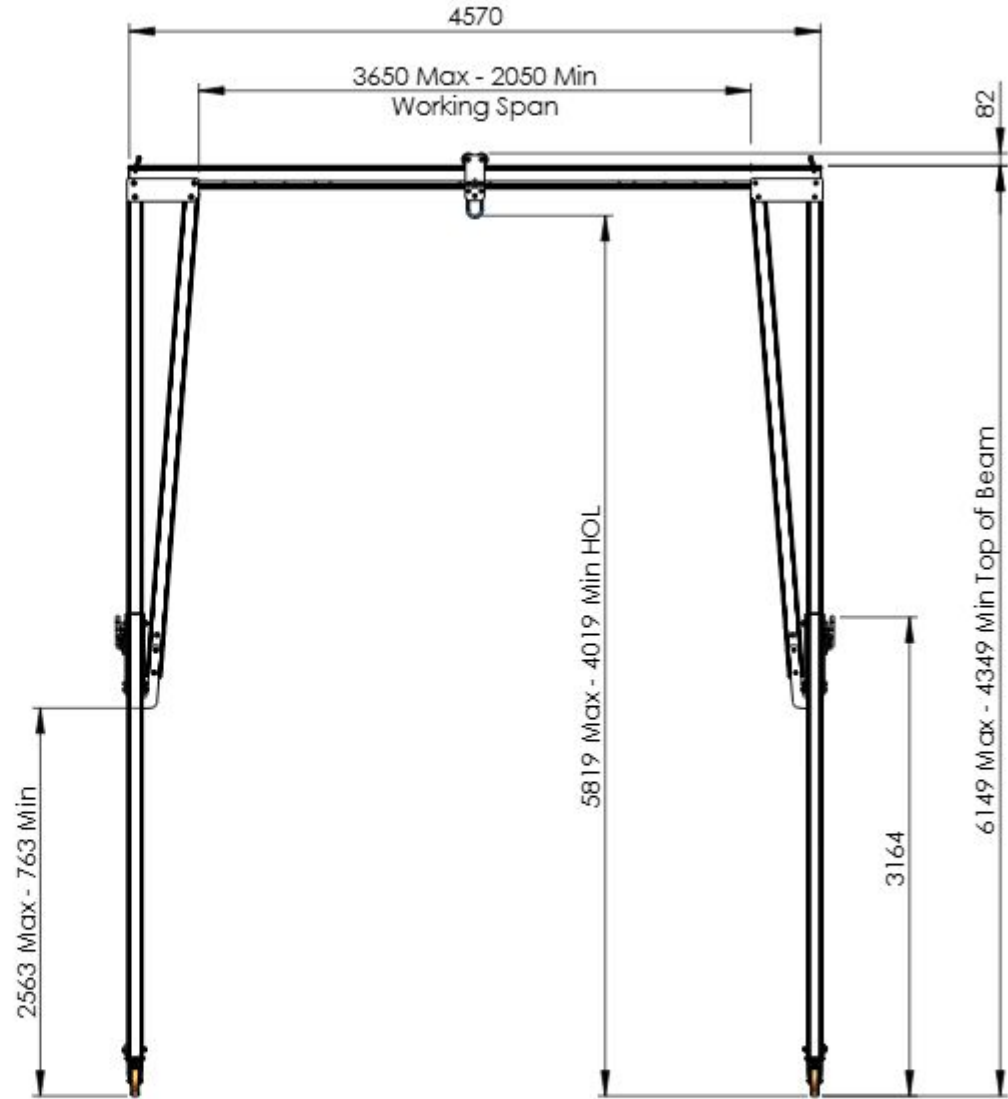
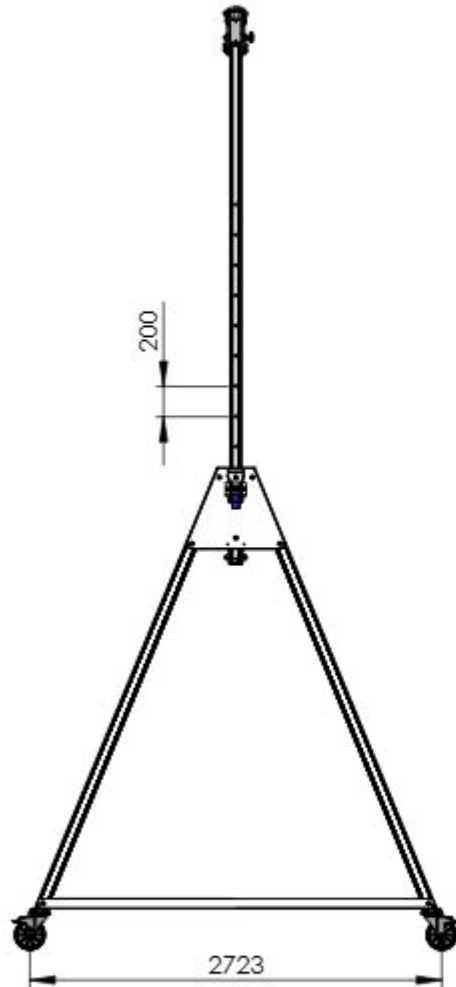
Estimated Weight: 233kg

1:50

SHEET 2 OF 2



To Ensure stability of the structure, the working span of the beam must be equal to or greater than the distance between the castors on the A-frame



DO NOT SCALE DRAWING

REVISION **03**



Reid Lifting Limited. Unit 1  
Wyeview, Newhouse Farm Ind. Est.,  
Chepstow, Monmouthshire,  
NP16 6UD, UK

Tel +44(0) 1291 620796  
Fax +44(0) 1291 626490

[www.reidlifting.com](http://www.reidlifting.com)

[enquiries@reidlifting.com](mailto:enquiries@reidlifting.com)

	NAME	DATE	FINISH:
DRAWN	BJ	15/07/2020	Anodised
CHK'D			MATERIAL:
APPR'D	CM	10/03/2023	Aluminium Alloy
<small>ALL COPYRIGHT AND DESIGN RIGHT SUBSISTING IN THIS DOCUMENT IS THE PROPERTY OF REID LIFTING LIMITED AND MAY NOT BE REPRODUCED WITHOUT REID LIFTING'S CONSENT. THIS DOCUMENT AND THE INFORMATION CONTAINED WITHIN IT IS CONFIDENTIAL AND MAY NOT BE DISCLOSED TO ANY THIRD PARTY NOR USED FOR ANY UNAUTHORISED PURPOSE WITHOUT REID LIFTING'S CONSENT</small>			
<small>UNLESS OTHERWISE SPECIFIED: DIMENSIONS ARE IN MILLIMETERS</small>			



TITLE: **General Arrangement of REID Lifting Porta-Gantry Size TC1 4570mm Beam WLL500kg**

DWG NO. **PGSS00500TC1-4570A** A4

Estimated Weight: 237kg 1:50 SHEET 1 OF 2

## General Specification

- Maximum rated capacity for goods lifting - 500kg
- Maximum rated capacity for personnel lifting - 250kg
- Beam deflection at maximum rated capacity of 500kg - between 10-15 mm at centre of span
- Maximum castor surface pressure at full load - 13.75 MPa
- Assembled gantry weight (excluding trolleys) - 238kg
- All welding to BS EN ISO 15614-2: 2005 by certified welders.
- For further details and assembly information refer to Operations and Maintenance Manual for Porta Gantry Product. (available at [www.reidlifting.com](http://www.reidlifting.com))

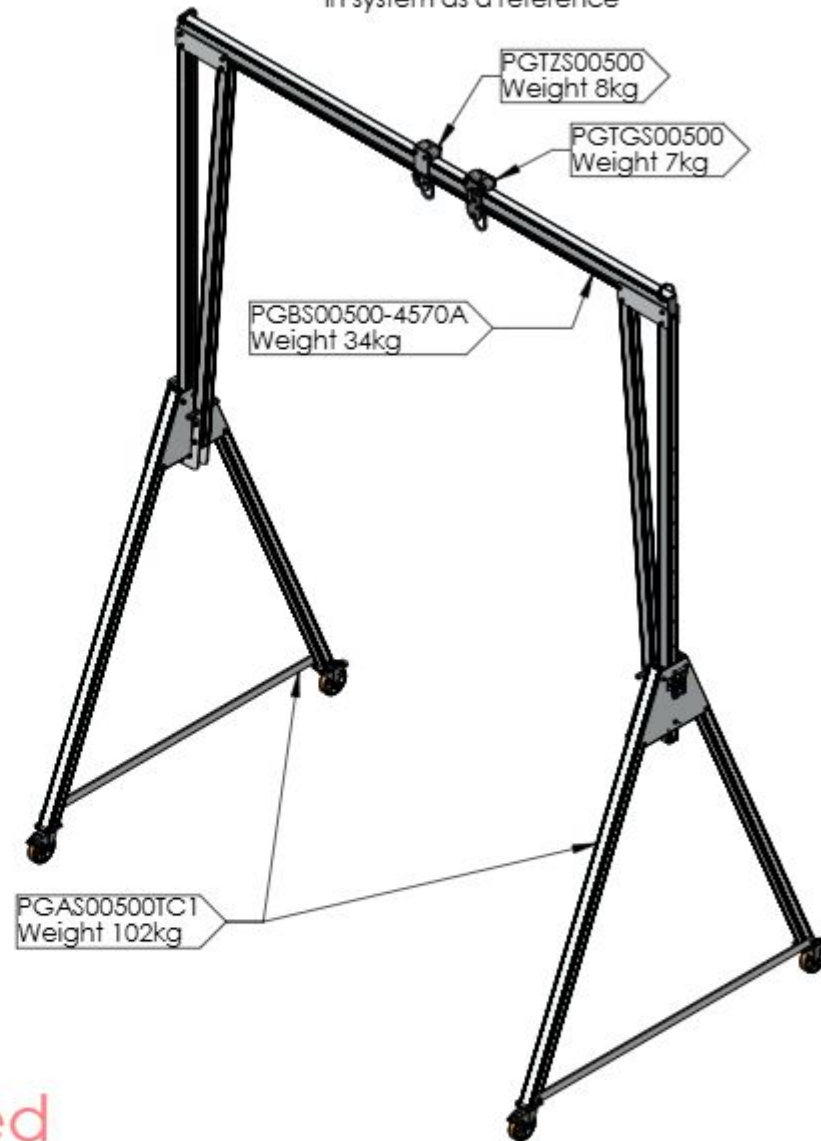
## Fall Protection Standards

- Certified to EN795:2012 Type B & supplied under PPE Regulation 2016/425
- Notified Body Witness tested to the requirements of PD CEN/TS16415:2013 for 3 persons
- Exceeds the requirements of IRATA ICOP & BS7985 (15kN MBL)
- Tested to and meets the requirements of ANSI Z359.18.2017 for 2 persons.

## Materials & Finishes

- Frame and beam - 6082 T6 Aluminium alloy. Anodised.
- Castors - Steel. Bright Zinc Plated.
- Castor Wheels & Rollers - Aluminium & Polyurethane
- Fixings - Steel. Grade 12.9. Bright Zinc Plated.

Note: Master Link Trolleys shown in system as a reference



Approved

DO NOT SCALE DRAWING

REVISION **03**



Reid Lifting Limited. Unit 1  
Wyeview, Newhouse Farm Ind. Est.,  
Chepstow, Monmouthshire.  
NP16 6UD, UK

Tel +44(0)1291 620796  
Fax: +44(0)1291 626490

[www.reidlifting.com](http://www.reidlifting.com)

[enquiries@reidlifting.com](mailto:enquiries@reidlifting.com)

	NAME	DATE
DRAWN	BJ	15/07/2020
CHK'D		
APPR'D	CM	10/03/2023

UNLESS OTHERWISE SPECIFIED:  
DIMENSIONS ARE IN MILLIMETERS

ALL COPYRIGHT AND DESIGN RIGHT SUBSISTING IN THIS DOCUMENT IS THE PROPERTY OF REID LIFTING LIMITED AND MAY NOT BE REPRODUCED WITHOUT REID LIFTING'S CONSENT. THIS DOCUMENT AND THE INFORMATION CONTAINED WITHIN IT IS CONFIDENTIAL AND MAY NOT BE DISCLOSED TO ANY THIRD PARTY NOR USED FOR ANY UNAUTHORISED PURPOSE WITHOUT REID LIFTING'S CONSENT



TITLE:

**General Arrangement of REID Lifting Porta-Gantry Size TC1 4570mm Beam WLL500kg**

DWG NO.

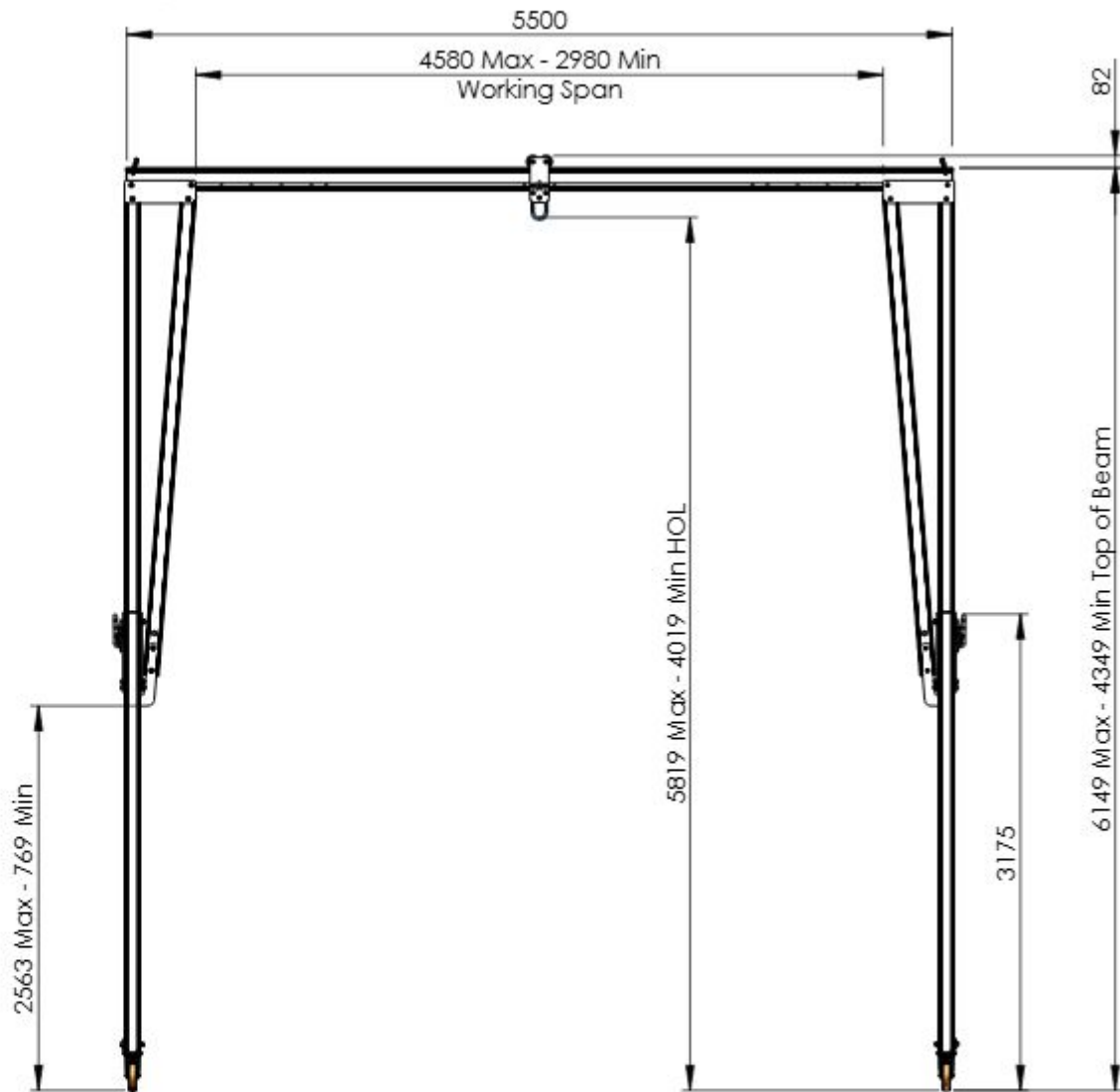
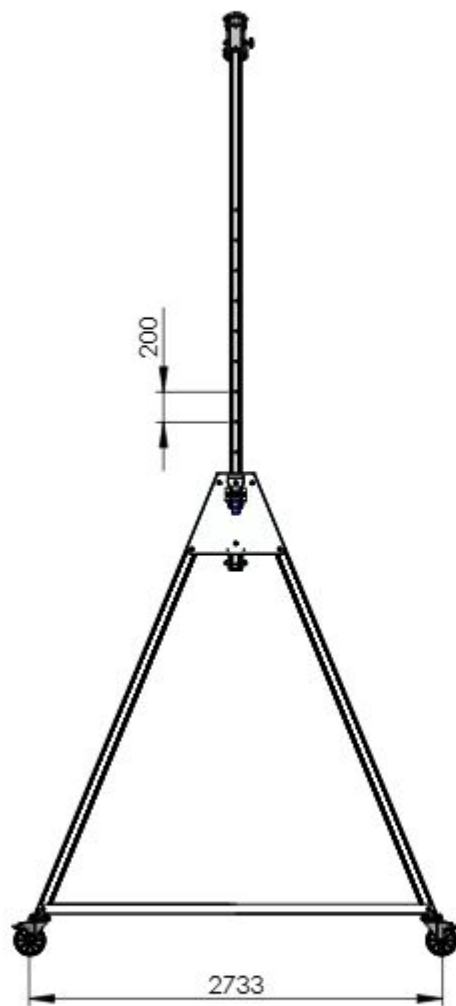
**PGSS00500TC1-4570A**

A4

Estimated Weight: 238kg

1:50

SHEET 2 OF 2



DO NOT SCALE DRAWING

REVISION **02**



Reid Lifting Limited. Unit 1  
Wyeview, Newhouse Farm Ind. Est.,  
Chepstow, Monmouthshire.  
NP16 6UD, UK

Tel +44(0) 1291 620796  
Fax +44(0) 1291 626490

[www.reidlifting.com](http://www.reidlifting.com)

[enquiries@reidlifting.com](mailto:enquiries@reidlifting.com)

	NAME	DATE	FINISH:
DRAWN	SS	14/06/2021	Anodised
CHK'D			MATERIAL:
APPR'D	CM	10/03/2023	Aluminium Alloy
<small>ALL COPYRIGHT AND DESIGN RIGHT SUBSISTING IN THIS DOCUMENT IS THE PROPERTY OF REID LIFTING LIMITED AND MAY NOT BE REPRODUCED WITHOUT REID LIFTING'S CONSENT. THIS DOCUMENT AND THE INFORMATION CONTAINED WITHIN IT IS CONFIDENTIAL AND MAY NOT BE DISCLOSED TO ANY THIRD PARTY NOR USED FOR ANY UNAUTHORISED PURPOSE WITHOUT REID LIFTING'S CONSENT</small>			
<small>UNLESS OTHERWISE SPECIFIED: DIMENSIONS ARE IN MILLIMETERS</small>			

TITLE: **General Arrangement of REID Lifting Porta-Gantry size TC1 5500mm Beam WLL500kg**

DWG NO. **PGSS00500TC1-5500A** A4

Estimated Weight: 244kg 1:50 SHEET 1 OF 2

## General Specification

- Maximum rated capacity for goods lifting - 500kg
- Maximum rated capacity for personnel lifting - 250kg
- Beam deflection at maximum rated capacity of 500kg - between 20-30 mm at centre of span
- Maximum castor surface pressure at full load - 13.83 MPa
- Assembled gantry weight (excluding trolleys) - 245kg
- All welding to BS EN ISO 15614-2: 2005 by certified welders.
- For further details and assembly information refer to Operations and Maintenance Manual for Porta Gantry Product. (available at [www.reidlifting.com](http://www.reidlifting.com))

## Fall Protection Standards

- Certified to EN795:2012 Type B & supplied under PPE Regulation 2016/425
- Notified Body Witness tested to the requirements of PD CEN/TS16415:2013 for 2 persons
- Exceeds the requirements of IRATA ICOP & BS7985 (15kN MBL)

## Materials & Finishes

- Frame and beam - 6082 T6 Aluminium alloy. Anodised.
- Castors - Steel. Bright Zinc Plated.
- Castor Wheels & Rollers - Aluminium & Polyurethane
- Fixings - Steel. Grade 12:9. Bright Zinc Plated.

Note: Master Link Trolleys shown in system as a reference



Approved

DO NOT SCALE DRAWING

REVISION **02**

**REID**  
**LIFTING**

[www.reidlifting.com](http://www.reidlifting.com)

Reid Lifting Limited. Unit 1  
Wyeview, Newhouse Farm Ind. Est.,  
Chepstow, Monmouthshire.  
NP16 6UD, UK

Tel +44(0)1291 620796  
Fax: +44(0)1291 626490

[enquiries@reidlifting.com](mailto:enquiries@reidlifting.com)

	NAME	DATE
DRAWN	SS	14/06/2021
CHK'D		
APPR'D	CM	10/03/2023

UNLESS OTHERWISE SPECIFIED:  
DIMENSIONS ARE IN MILLIMETERS

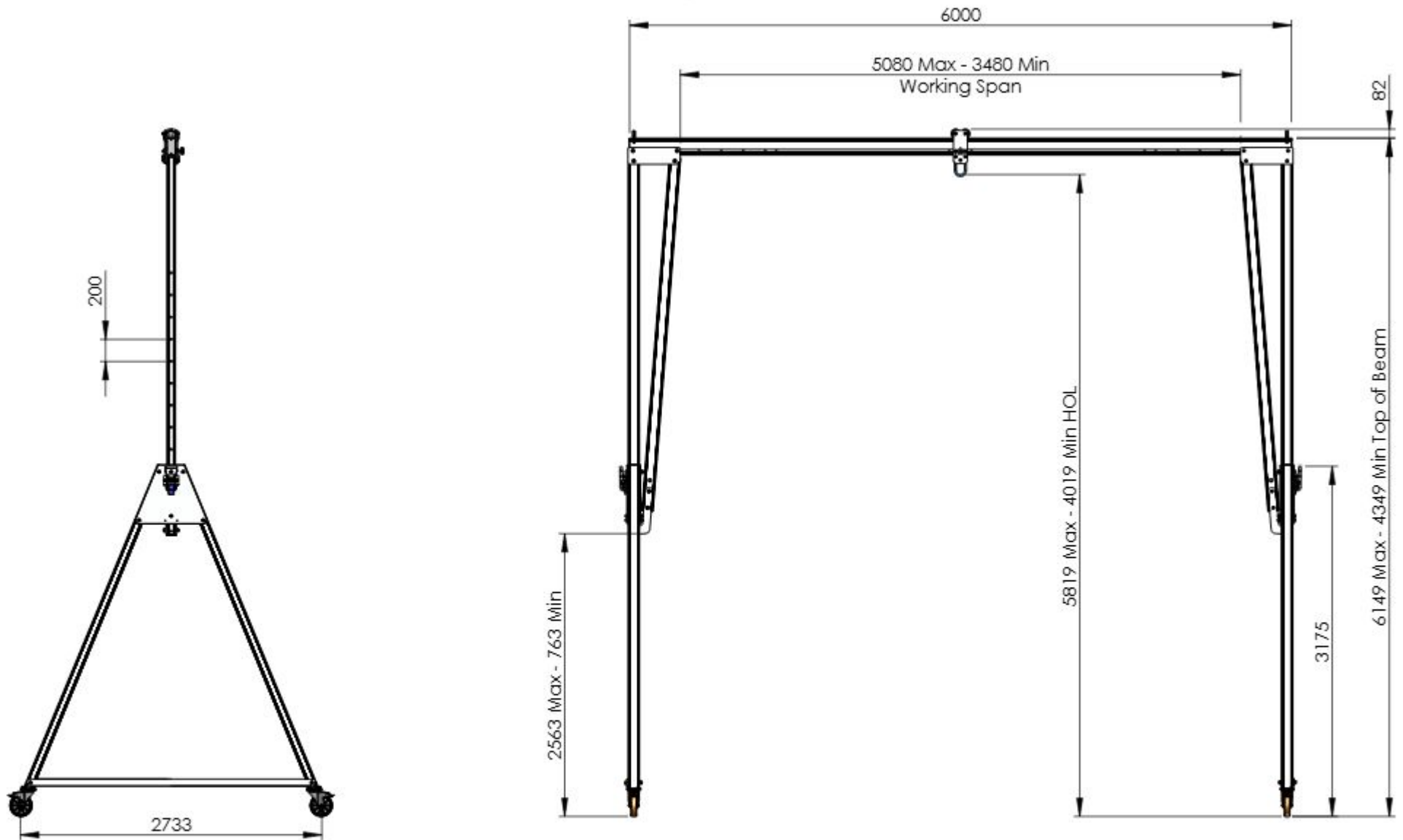
ALL COPYRIGHT AND DESIGN RIGHT SUBSISTING IN THIS DOCUMENT IS THE PROPERTY OF REID LIFTING LIMITED AND MAY NOT BE REPRODUCED WITHOUT REID LIFTING'S CONSENT. THIS DOCUMENT AND THE INFORMATION CONTAINED WITHIN IT IS CONFIDENTIAL AND MAY NOT BE DISCLOSED TO ANY THIRD PARTY NOR USED FOR ANY UNAUTHORISED PURPOSE WITHOUT REID LIFTING'S CONSENT



TITLE: **General Arrangement of REID Lifting Porta-Gantry size TC1 5500mm Beam WLL500kg**

DWG NO. **PGSS00500TC1-5500A** **A4**

Estimated Weight: 245kg 1:55 SHEET 2 OF 2



DO NOT SCALE DRAWING

REVISION **02**



Reid Lifting Limited. Unit 1  
Wyeview, Newhouse Farm Ind. Est.,  
Chepstow, Monmouthshire.  
NP16 6UD, UK

Tel +44(0) 1291 620796  
Fax +44(0) 1291 626490

[www.reidlifting.com](http://www.reidlifting.com)

[enquiries@reidlifting.com](mailto:enquiries@reidlifting.com)

	NAME	DATE	FINISH:
DRAWN	SS	14/06/2021	Anodised
CHK'D			MATERIAL:
APP'VD	CM	10/03/2023	Aluminium Alloy
<small>ALL COPYRIGHT AND DESIGN RIGHT SUBSISTING IN THIS DOCUMENT IS THE PROPERTY OF REID LIFTING LIMITED AND MAY NOT BE REPRODUCED WITHOUT REID LIFTING'S CONSENT. THIS DOCUMENT AND THE INFORMATION CONTAINED WITHIN IT IS CONFIDENTIAL AND MAY NOT BE DISCLOSED TO ANY THIRD PARTY NOR USED FOR ANY UNAUTHORISED PURPOSE WITHOUT REID LIFTING'S CONSENT</small>			
<small>UNLESS OTHERWISE SPECIFIED: DIMENSIONS ARE IN MILLIMETERS</small>			



TITLE: **General Arrangement of  
REID Lifting Porta-Gantry Size  
TC1 6000mm Beam**

DWG NO. **PGSS00500TC1-6000A**

A4

Estimated Weight: 248kg

1:50

SHEET 1 OF 2

## General Specification

- Maximum rated capacity for goods lifting - 500kg
- Maximum rated capacity for personnel lifting - 250kg
- Beam deflection at maximum rated capacity of 500kg - between 25-35 mm at centre of span
- Maximum castor surface pressure at full load - 13.87 MPa
- Assembled gantry weight (excluding trolleys) - 248kg
- All welding to BS EN ISO 15614-2: 2005 by certified welders.
- For further details and assembly information refer to Operations and Maintenance Manual for Porta Gantry Product. (available at [www.reidlifting.com](http://www.reidlifting.com))

## Fall Protection Standards

- Certified to EN795:2012 Type B & supplied under PPE Regulation 2016/425
- Notified Body Witness tested to the requirements of PD CEN/TS16415:2013 for 2 persons
- Exceeds the requirements of IRATA ICOP & BS7985 (15kN MBL)

## Materials & Finishes

- Frame and beam - 6082 T6 Aluminium alloy. Anodised.
- Castors - Steel. Bright Zinc Plated.
- Castor Wheels & Rollers - Aluminium & Polyurethane
- Fixings - Steel. Grade 12:9. Bright Zinc Plated.

Note: Master Link Trolleys shown in system as a reference



Approved

DO NOT SCALE DRAWING

REVISION **02**



Reid Lifting Limited. Unit 1  
Wyeview, Newhouse Farm Ind. Est.,  
Chepstow, Monmouthshire.  
NP16 6UD, UK

Tel +44(0)1291 620796  
Fax: +44(0)1291 626490

[www.reidlifting.com](http://www.reidlifting.com)

[enquiries@reidlifting.com](mailto:enquiries@reidlifting.com)

	NAME	DATE
DRAWN	SS	14/06/2021
CHK'D		
APPR'D	CM	10/03/2023

UNLESS OTHERWISE SPECIFIED:  
DIMENSIONS ARE IN MILLIMETERS

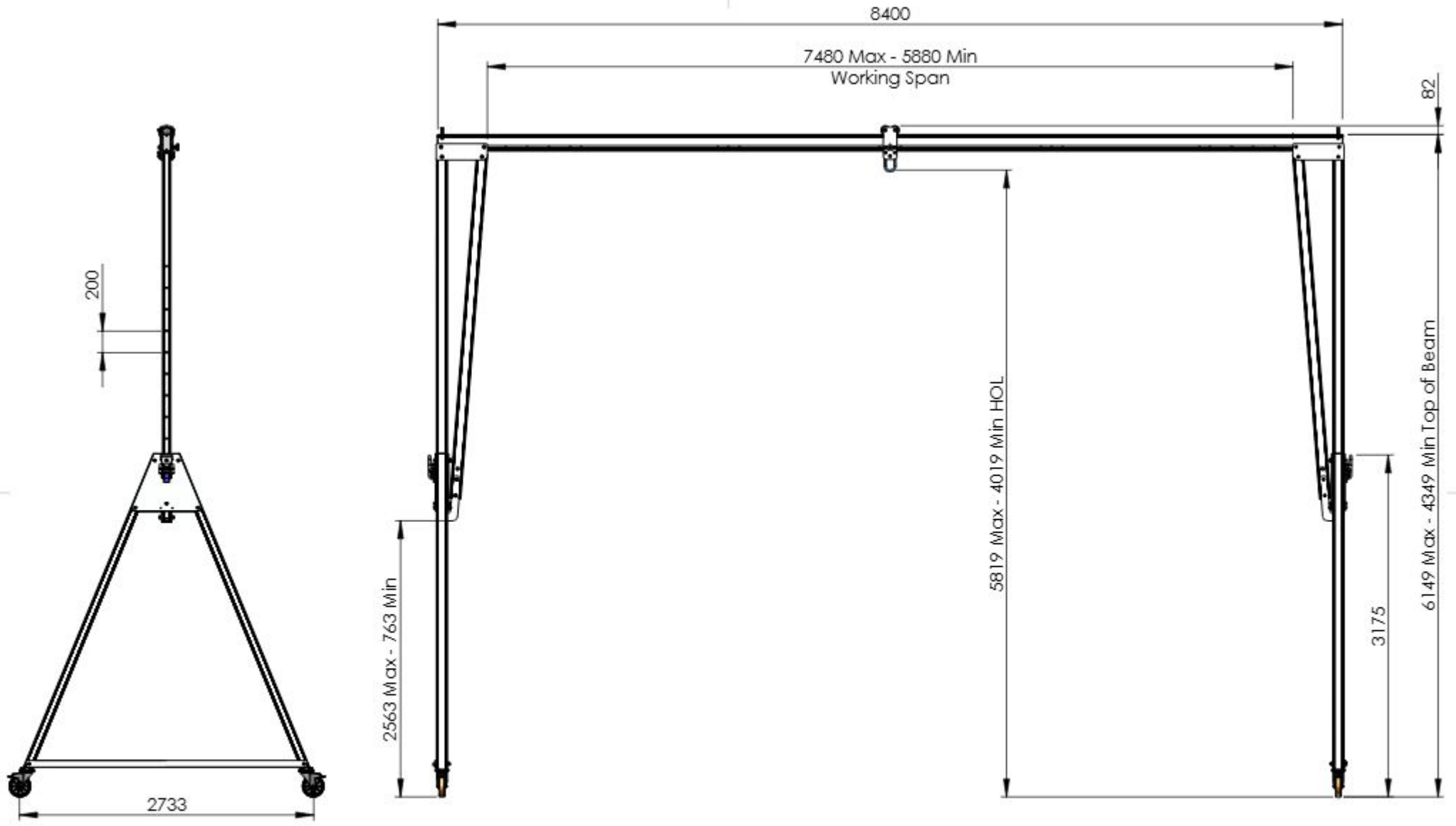
ALL COPYRIGHT AND DESIGN RIGHT SUBSISTING IN THIS DOCUMENT IS THE PROPERTY OF REID LIFTING LIMITED AND MAY NOT BE REPRODUCED WITHOUT REID LIFTING'S CONSENT. THIS DOCUMENT AND THE INFORMATION CONTAINED WITHIN IT IS CONFIDENTIAL AND MAY NOT BE DISCLOSED TO ANY THIRD PARTY NOR USED FOR ANY UNAUTHORIZED PURPOSE WITHOUT REID LIFTING'S CONSENT



TITLE: **General Arrangement of  
REID Lifting Porta-Gantry  
Size TC1 6000mm Beam**

DWG NO. **PGSS00500TC1-6000A** **A4**

Estimated Weight: 248kg 1:55 SHEET 2 OF 2



DO NOT SCALE DRAWING

REVISION **02**



Reid Lifting Limited, Unit 1  
Wyeview, Newhouse Farm Ind. Est.,  
Chepstow, Monmouthshire,  
NP16 6UD, UK

Tel +44(0) 1291 620796  
Fax +44(0) 1291 626490

[www.reidlifting.com](http://www.reidlifting.com)

[enquiries@reidlifting.com](mailto:enquiries@reidlifting.com)

	NAME	DATE	FINISH:
DRAWN	SS	14/06/2021	Anodised
CHK'D			MATERIAL:
APPR'D	CM	10/03/2023	Aluminium Alloy
<small>ALL COPYRIGHT AND DESIGN RIGHT SUBSISTING IN THIS DOCUMENT IS THE PROPERTY OF REID LIFTING LIMITED AND MAY NOT BE REPRODUCED WITHOUT REID LIFTING'S CONSENT. THIS DOCUMENT AND THE INFORMATION CONTAINED WITHIN IT IS CONFIDENTIAL AND MAY NOT BE DISCLOSED TO ANY THIRD PARTY NOR USED FOR ANY UNAUTHORISED PURPOSE WITHOUT REID LIFTING'S CONSENT</small>			
<small>UNLESS OTHERWISE SPECIFIED: DIMENSIONS ARE IN MILLIMETERS</small>			



TITLE: **General Arrangement of  
REID Lifting Porta-Gantry Size  
TC1 8400mm Beam**

DWG NO. **PGSS00500TC1-8400A**

A4

Estimated Weight: 265kg

1:50

SHEET 1 OF 2

## General Specification

- Maximum rated capacity for goods lifting - 500kg
- Maximum rated capacity for personnel lifting - 250kg
- Beam deflection at maximum rated capacity of 500kg - between 60-70 mm at centre of span
- Maximum castor surface pressure at full load - 14.06 MPa
- Assembled gantry weight (excluding trolleys) - 266kg
- All welding to BS EN ISO 15614-2: 2005 by certified welders.
- For further details and assembly information refer to Operations and Maintenance Manual for Porta Gantry Product. (available at [www.reidlifting.com](http://www.reidlifting.com))

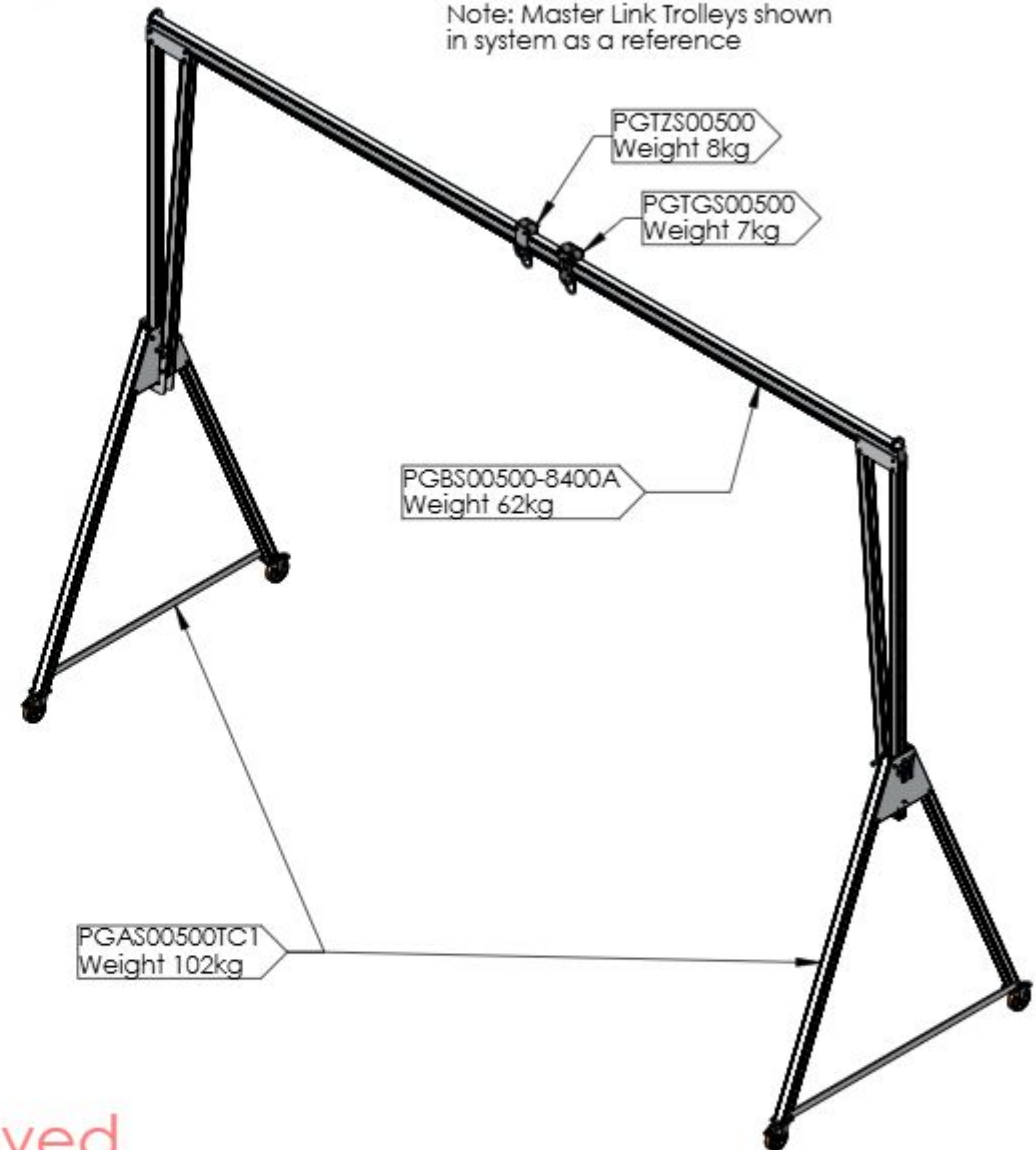
## Fall Protection Standards

- Certified to EN795:2012 Type B & supplied under PPE Regulation 2016/425
- Notified Body Witness tested to the requirements of PD CEN/TS16415:2013 for 2 persons
- Exceeds the requirements of IRATA ICOP & BS7985 (15kN MBL)

## Materials & Finishes

- Frame and beam - 6082 T6 Aluminium alloy. Anodised.
- Castors - Steel. Bright Zinc Plated.
- Castor Wheels & Rollers - Aluminium & Polyurethane
- Fixings - Steel. Grade 12:9. Bright Zinc Plated.

Note: Master Link Trolleys shown in system as a reference



Approved

DO NOT SCALE DRAWING

REVISION **02**

**REID**  
**LIFTING**

[www.reidlifting.com](http://www.reidlifting.com)

Reid Lifting Limited. Unit 1  
Wyeview, Newhouse Farm Ind. Est.,  
Chepstow, Monmouthshire.  
NP16 6UD, UK

Tel +44(0)1291 620796  
Fax: +44(0)1291 626490

[enquiries@reidlifting.com](mailto:enquiries@reidlifting.com)

	NAME	DATE
DRAWN	SS	14/06/2021
CHK'D		
APPR'D	CM	10/03/2023

UNLESS OTHERWISE SPECIFIED:  
DIMENSIONS ARE IN MILLIMETERS

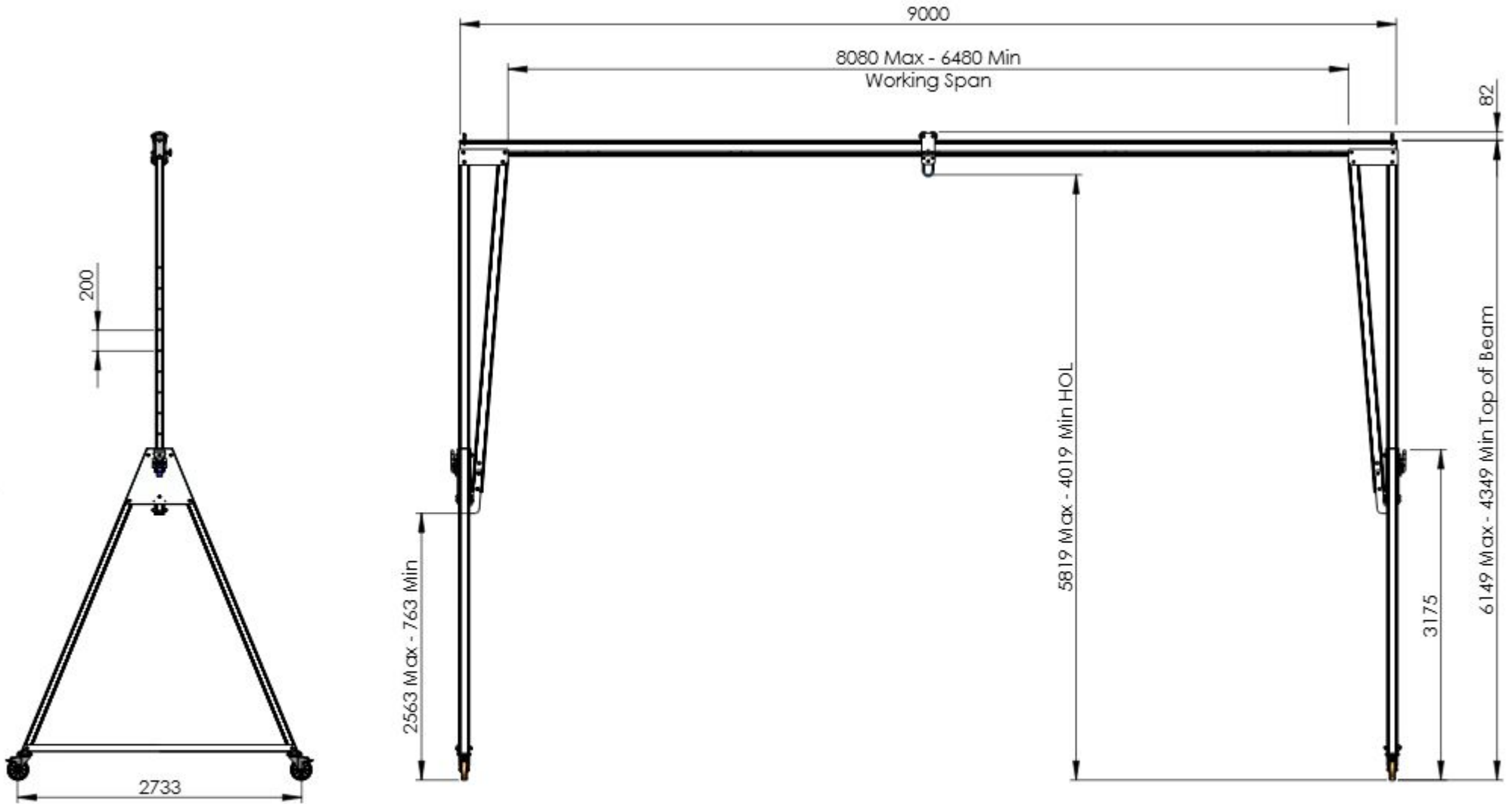
ALL COPYRIGHT AND DESIGN RIGHT SUBSISTING IN THIS DOCUMENT IS THE PROPERTY OF REID LIFTING LIMITED AND MAY NOT BE REPRODUCED WITHOUT REID LIFTING'S CONSENT. THIS DOCUMENT AND THE INFORMATION CONTAINED WITHIN IT IS CONFIDENTIAL AND MAY NOT BE DISCLOSED TO ANY THIRD PARTY NOR USED FOR ANY UNAUTHORISED PURPOSE WITHOUT REID LIFTING'S CONSENT



TITLE: **General Arrangement of  
REID Lifting Porta-Gantry  
Size TC1 8400mm Beam**

DWG NO. **PGSS00500TC1-8400A** **A4**

Estimated Weight: 266kg 1:60 SHEET 2 OF 2



DO NOT SCALE DRAWING

REVISION

02

**REID**  
**LIFTING**

Reid Lifting Limited. Unit 1  
Wyeview, Newhouse Farm Ind. Est.,  
Chepstow, Monmouthshire.  
NP16 6UD, UK

Tel +44(0) 1291 620796  
Fax +44(0) 1291 626490

[www.reidlifting.com](http://www.reidlifting.com)

[enquiries@reidlifting.com](mailto:enquiries@reidlifting.com)

	NAME	DATE	FINISH:
DRAWN	SS	14/06/2021	Anodised
CHK'D			MATERIAL:
APP'VD	CM	10/03/2023	Aluminium Alloy
<small>ALL COPYRIGHT AND DESIGN RIGHT SUBSISTING IN THIS DOCUMENT IS THE PROPERTY OF REID LIFTING LIMITED AND MAY NOT BE REPRODUCED WITHOUT REID LIFTING'S CONSENT. THIS DOCUMENT AND THE INFORMATION CONTAINED WITHIN IT IS CONFIDENTIAL AND MAY NOT BE DISCLOSED TO ANY THIRD PARTY NOR USED FOR ANY UNAUTHORISED PURPOSE WITHOUT REID LIFTING'S CONSENT</small>			
<small>UNLESS OTHERWISE SPECIFIED: DIMENSIONS ARE IN MILLIMETERS</small>			

TITLE:

**General Arrangement of  
REID Lifting Porta-Gantry Size  
TC1 9000mm Beam**

DWG NO.

**PGSS00500TC1-9000A**

A4

Estimated Weight: 270kg

1:55

SHEET 1 OF 2

## General Specification

- Maximum rated capacity for goods lifting - 500kg
- Maximum rated capacity for personnel lifting - 250kg
- Beam deflection at maximum rated capacity of 500kg - between 80-90 mm at centre of span
- Maximum castor surface pressure at full load - 14.11 MPa
- Assembled gantry weight (excluding trolleys) - 270kg
- All welding to BS EN ISO 15614-2: 2005 by certified welders.
- For further details and assembly information refer to Operations and Maintenance Manual for Porta Gantry Product. (available at [www.reidlifting.com](http://www.reidlifting.com))

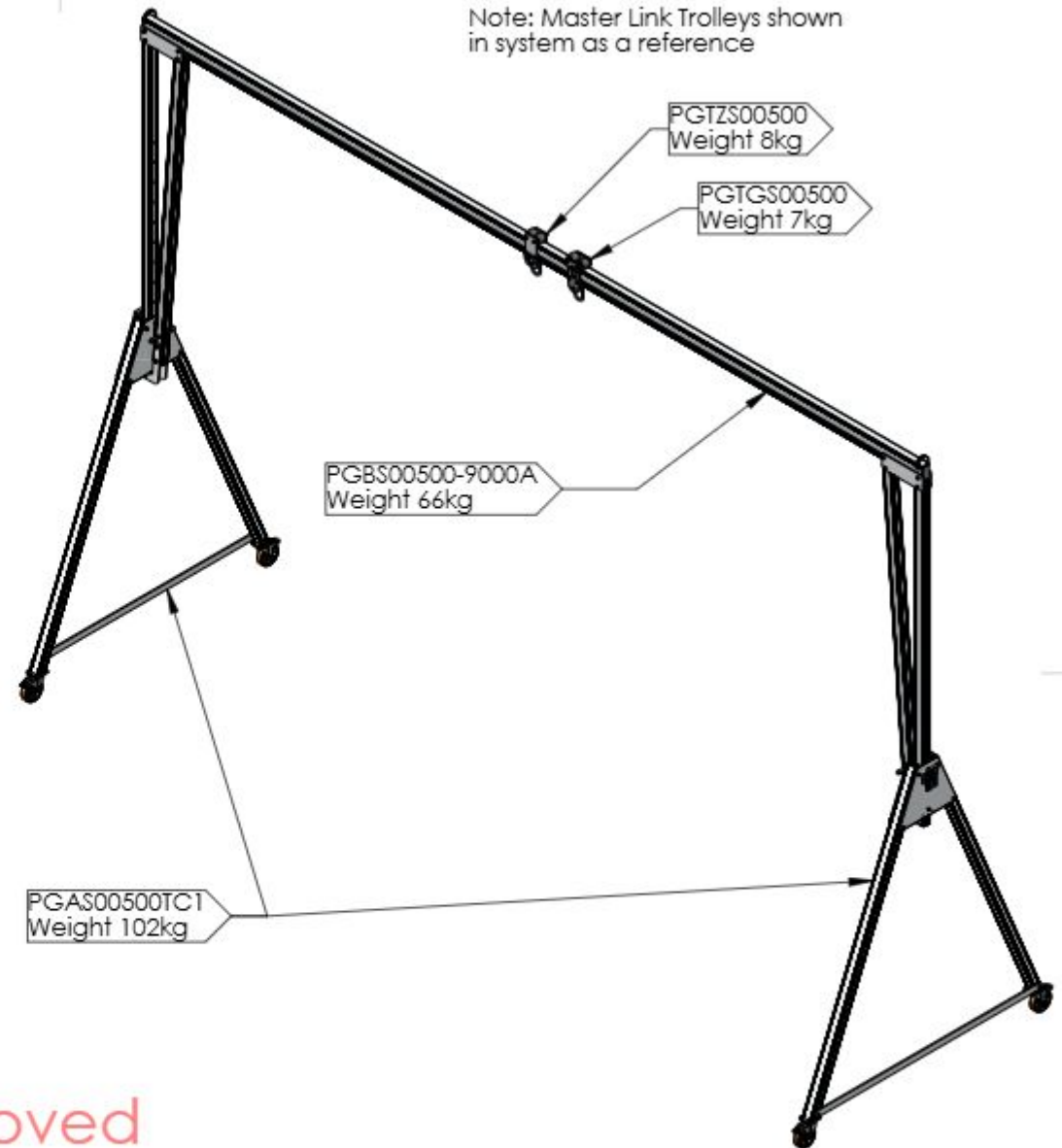
## Fall Protection Standards

- Certified to EN795:2012 Type B & supplied under PPE Regulation 2016/425
- Notified Body Witness tested to the requirements of PD CEN/TS16415:2013 for 2 persons
- Exceeds the requirements of IRATA ICOP & BS7985 (15kN MBL)

## Materials & Finishes

- Frame and beam - 6082 T6 Aluminium alloy. Anodised.
- Castors - Steel. Bright Zinc Plated.
- Castor Wheels & Rollers - Aluminium & Polyurethane
- Fixings - Steel. Grade 12:9. Bright Zinc Plated.

Note: Master Link Trolleys shown in system as a reference



Approved

DO NOT SCALE DRAWING

REVISION **02**



Reid Lifting Limited. Unit 1  
Wyeview, Newhouse Farm Ind. Est.,  
Chepstow, Monmouthshire.  
NP16 6UD, UK

Tel +44(0)1291 620796  
Fax: +44(0)1291 626490

[www.reidlifting.com](http://www.reidlifting.com)

[enquiries@reidlifting.com](mailto:enquiries@reidlifting.com)

	NAME	DATE
DRAWN	SS	14/06/2021
CHK'D		
APPR'D	CM	10/03/2023

UNLESS OTHERWISE SPECIFIED:  
DIMENSIONS ARE IN MILLIMETERS

ALL COPYRIGHT AND DESIGN RIGHT SUBSISTING IN THIS DOCUMENT IS THE PROPERTY OF REID LIFTING LIMITED AND MAY NOT BE REPRODUCED WITHOUT REID LIFTING'S CONSENT. THIS DOCUMENT AND THE INFORMATION CONTAINED WITHIN IT IS CONFIDENTIAL AND MAY NOT BE DISCLOSED TO ANY THIRD PARTY NOR USED FOR ANY UNAUTHORIZED PURPOSE WITHOUT REID LIFTING'S CONSENT



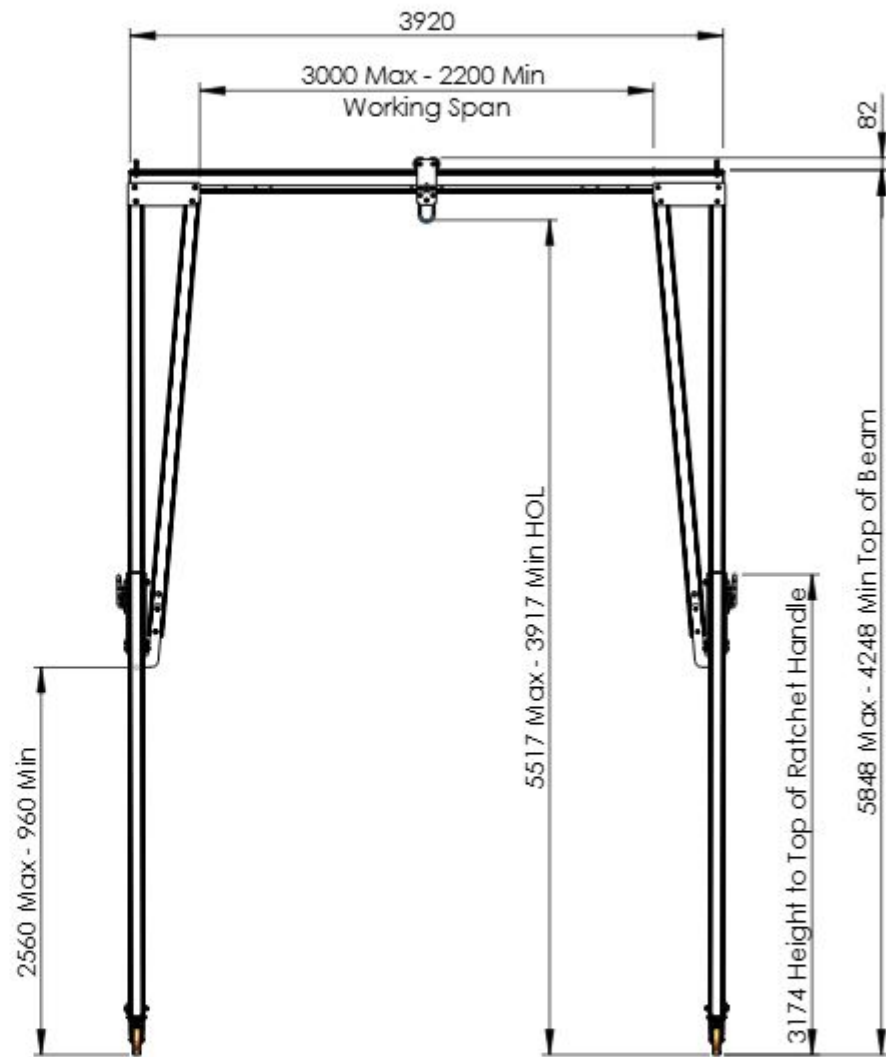
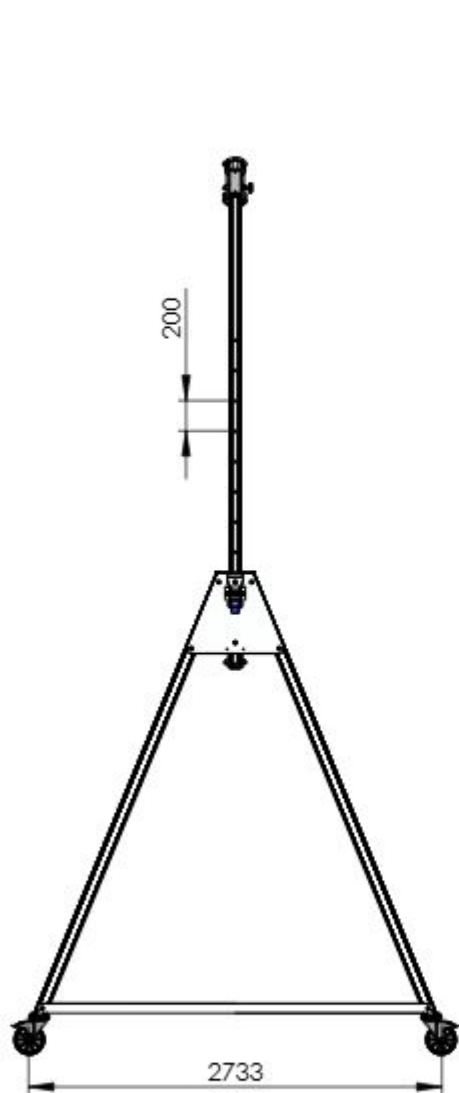
TITLE: **General Arrangement of  
REID Lifting Porta-Gantry  
Size TC1 9000mm Beam**

DWG NO. **PGSS00500TC1-9000A** **A4**

Estimated Weight: 270kg 1:60 SHEET 2 OF 2



To ensure stability of the structure, the working span of the beam must be equal to or greater than the distance between the castors on the A-frame



DO NOT SCALE DRAWING

REVISION **02**



Reid Lifting Limited. Unit 1  
Wyeview, Newhouse Farm Ind. Est.,  
Chepstow, Monmouthshire,  
NP16 6UD, UK

Tel +44(0) 1291 620796  
Fax +44(0) 1291 626490

[www.reidlifting.com](http://www.reidlifting.com)

[enquiries@reidlifting.com](mailto:enquiries@reidlifting.com)

	NAME	DATE	FINISH:
DRAWN	TB	25/05/2021	Anodised
CHK'D			MATERIAL:
APPR'D	CM	10/03/2023	Aluminium Alloy
<small>ALL COPYRIGHT AND DESIGN RIGHT SUBSISTING IN THIS DOCUMENT IS THE PROPERTY OF REID LIFTING LIMITED AND MAY NOT BE REPRODUCED WITHOUT REID LIFTING'S CONSENT. THIS DOCUMENT AND THE INFORMATION CONTAINED WITHIN IT IS CONFIDENTIAL AND MAY NOT BE DISCLOSED TO ANY THIRD PARTY NOR USED FOR ANY UNAUTHORISED PURPOSE WITHOUT REID LIFTING'S CONSENT</small>			
<small>UNLESS OTHERWISE SPECIFIED: DIMENSIONS ARE IN MILLIMETERS</small>			



TITLE: **General Arrangement of REID Lifting Porta-Gantry Size TC2 with 3920mm Beam WLL500kg**

DWG NO. **PGSS00500TC2-3920A**

A4

Estimated Weight: 223 kg

1:50

SHEET 1 OF 2

## General Specification

- Maximum rated capacity for goods lifting - 500kg
- Maximum rated capacity for personnel lifting - 250kg
- Beam deflection at maximum rated capacity of 500kg - 5-10 mm at centre of span
- Maximum castor surface pressure at full load - 13.59 MPa
- Assembled gantry weight (excluding trollies) - 223kg
- All welding to BS EN ISO 15614-2: 2005 by certified welders.
- For further details and assembly information refer to Operations and Maintenance Manual for Porta Gantry Product. (available at [www.reidlifting.com](http://www.reidlifting.com))

## Fall Protection Standards

- Certified to EN795:2012 Type B & supplied under PPE Regulation 2016/425
- Notified Body Witness tested to the requirements of PD CEN/TS16415:2013 for 3 persons
- Exceeds the requirements of IRATA ICOP & BS7985 (15kN MBL)
- Tested to and meets the requirements of ANSI Z359.18.2017 for 2 persons.

## Materials & Finishes

- Frame and beam - 6082 T6 Aluminium alloy. Anodised.
- Castors - Steel. Bright Zinc Plated.
- Castor Wheels & Rollers - Aluminium & Polyurethane
- Fixings - Steel. Grade 12.9. Bright Zinc Plated.

Note: Master Link Trolleys shown in system as a reference



Approved

DO NOT SCALE DRAWING

REVISION **02**



Reid Lifting Limited. Unit 1  
Wyeview, Newhouse Farm Ind. Est.,  
Chepstow, Monmouthshire.  
NP16 6UD, UK

Tel +44(0)1291 620796  
Fax: +44(0)1291 626490

[www.reidlifting.com](http://www.reidlifting.com)

[enquiries@reidlifting.com](mailto:enquiries@reidlifting.com)

	NAME	DATE
DRAWN	TB	25/05/2021
CHK'D		
APPR'D	CM	10/03/2023

UNLESS OTHERWISE SPECIFIED:  
DIMENSIONS ARE IN MILLIMETERS

ALL COPYRIGHT AND DESIGN RIGHT SUBSISTING IN THIS DOCUMENT IS THE PROPERTY OF REID LIFTING LIMITED AND MAY NOT BE REPRODUCED WITHOUT REID LIFTING'S CONSENT. THIS DOCUMENT AND THE INFORMATION CONTAINED WITHIN IT IS CONFIDENTIAL AND MAY NOT BE DISCLOSED TO ANY THIRD PARTY NOR USED FOR ANY UNAUTHORISED PURPOSE WITHOUT REID LIFTING'S CONSENT



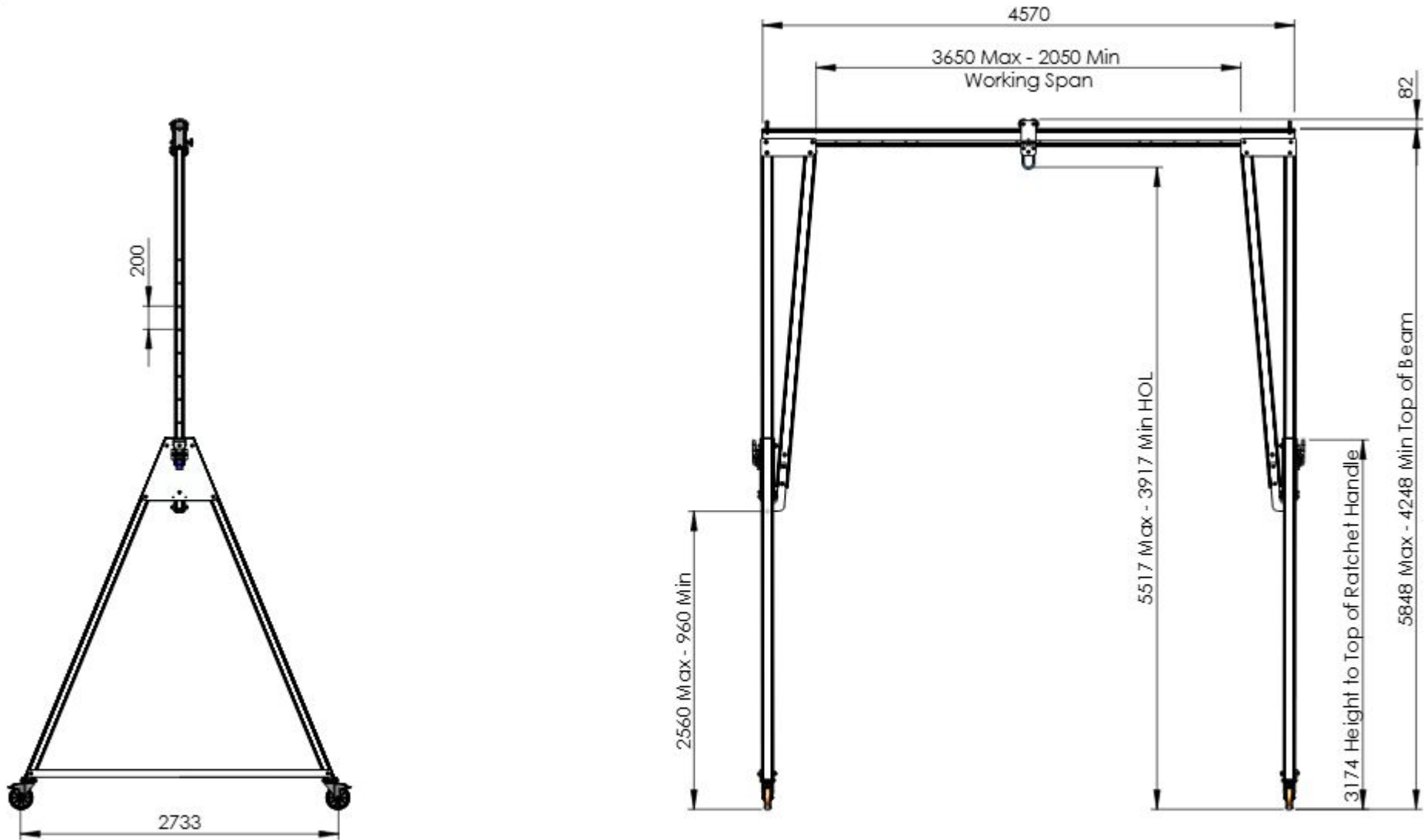
TITLE: **General Arrangement of REID Lifting Porta-Gantry Size TC2 with 3920mm Beam WLL500kg**

DWG NO. **PGSS00500TC2-3920A** **A4**

Estimated Weight: 223 kg 1:55 SHEET 2 OF 2



To ensure stability of the structure, the working span of the beam must be equal to or greater than the distance between the castors on the A-frame



DO NOT SCALE DRAWING

REVISION

02



Reid Lifting Limited. Unit 1  
Wyeview, Newhouse Farm Ind. Est.,  
Chepstow, Monmouthshire.  
NP16 6UD, UK

Tel +44(0) 1291 620796  
Fax +44(0) 1291 626490

[www.reidlifting.com](http://www.reidlifting.com)

[enquiries@reidlifting.com](mailto:enquiries@reidlifting.com)

	NAME	DATE	FINISH:
DRAWN	TB	25/05/2021	Anodised
CHK'D			MATERIAL:
APP'VD	CM	10/03/2023	Aluminium Alloy
<small>ALL COPYRIGHT AND DESIGN RIGHT SUBSISTING IN THIS DOCUMENT IS THE PROPERTY OF REID LIFTING LIMITED AND MAY NOT BE REPRODUCED WITHOUT REID LIFTING'S CONSENT. THIS DOCUMENT AND THE INFORMATION CONTAINED WITHIN IT IS CONFIDENTIAL AND MAY NOT BE DISCLOSED TO ANY THIRD PARTY NOR USED FOR ANY UNAUTHORISED PURPOSE WITHOUT REID LIFTING'S CONSENT</small>			
<small>UNLESS OTHERWISE SPECIFIED: DIMENSIONS ARE IN MILLIMETERS</small>			



TITLE:

**General Arrangement of REID  
Lifting Porta-Gantry Size TC2 with  
4570mm Beam WLL500kg**

DWG NO.

**PGSS00500TC2-4570A**

A4

Estimated Weight: 227 kg

1:50

SHEET 1 OF 2

## General Specification

- Maximum rated capacity for goods lifting - 500kg
- Maximum rated capacity for personnel lifting - 250kg
- Beam deflection at maximum rated capacity of 500kg - 10-15 mm at centre of span
- Maximum castor surface pressure at full load - 13.64 MPa
- Assembled gantry weight (excluding trolleys) - 227kg
- All welding to BS EN ISO 15614-2: 2005 by certified welders.
- For further details and assembly information refer to Operations and Maintenance Manual for Porta Gantry Product. (available at [www.reidlifting.com](http://www.reidlifting.com))

## Fall Protection Standards

- Certified to EN795:2012 Type B & supplied under PPE Regulation 2016/425
- Notified Body Witness tested to the requirements of PD CEN/TS16415:2013 for 3 persons
- Exceeds the requirements of IRATA ICOP & BS7985 (15kN MBL)
- Tested to and meets the requirements of ANSI Z359.18.2017 for 2 persons.

## Materials & Finishes

- Frame and beam - 6082 T6 Aluminium alloy. Anodised.
- Castors - Steel. Bright Zinc Plated.
- Castor Wheels & Rollers - Aluminium & Polyurethane
- Fixings - Steel. Grade 12.9. Bright Zinc Plated.

Note: Master Link Trolleys shown in system as a reference



Approved

DO NOT SCALE DRAWING

REVISION **02**



Reid Lifting Limited. Unit 1  
Wyeview, Newhouse Farm Ind. Est.,  
Chepstow, Monmouthshire.  
NP16 6UD, UK

Tel +44(0)1291 620796  
Fax: +44(0)1291 626490

[www.reidlifting.com](http://www.reidlifting.com)

[enquiries@reidlifting.com](mailto:enquiries@reidlifting.com)

	NAME	DATE
DRAWN	TB	25/05/2021
CHK'D		
APPR'D	CM	10/03/2023

UNLESS OTHERWISE SPECIFIED:  
DIMENSIONS ARE IN MILLIMETERS

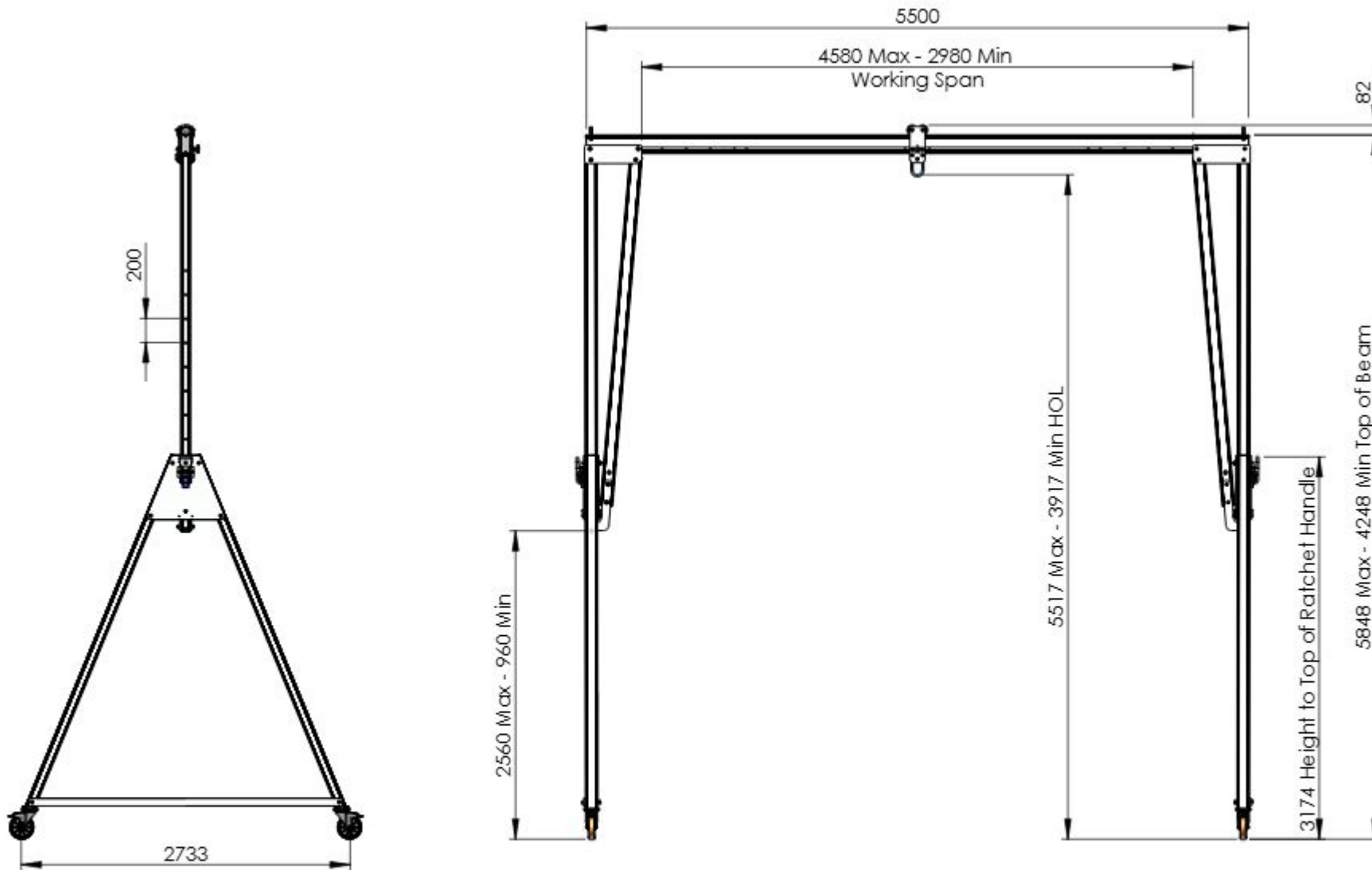
ALL COPYRIGHT AND DESIGN RIGHT SUBSISTING IN THIS DOCUMENT IS THE PROPERTY OF REID LIFTING LIMITED AND MAY NOT BE REPRODUCED WITHOUT REID LIFTING'S CONSENT. THIS DOCUMENT AND THE INFORMATION CONTAINED WITHIN IT IS CONFIDENTIAL AND MAY NOT BE DISCLOSED TO ANY THIRD PARTY NOR USED FOR ANY UNAUTHORIZED PURPOSE WITHOUT REID LIFTING'S CONSENT



TITLE: **General Arrangement of REID Lifting Porta-Gantry Size TC2 with 4570mm Beam WLL500kg**

DWG NO. **PGSS00500TC2-4570A** A4

Estimated Weight: 227 kg 1:55 SHEET 2 OF 2



DO NOT SCALE DRAWING

REVISION **02**



Reid Lifting Limited. Unit 1  
Wyeview, Newhouse Farm Ind. Est.,  
Chepstow, Monmouthshire,  
NP16 6UD, UK

Tel +44(0) 1291 620796  
Fax +44(0) 1291 626490

[www.reidlifting.com](http://www.reidlifting.com)

[enquiries@reidlifting.com](mailto:enquiries@reidlifting.com)

	NAME	DATE	FINISH:
DRAWN	TB	25/05/2021	Anodised
CHK'D			MATERIAL:
APPR'D	CM	10/03/2023	Aluminium Alloy
<small>ALL COPYRIGHT AND DESIGN RIGHT SUBSISTING IN THIS DOCUMENT IS THE PROPERTY OF REID LIFTING LIMITED AND MAY NOT BE REPRODUCED WITHOUT REID LIFTING'S CONSENT. THIS DOCUMENT AND THE INFORMATION CONTAINED WITHIN IT IS CONFIDENTIAL AND MAY NOT BE DISCLOSED TO ANY THIRD PARTY NOR USED FOR ANY UNAUTHORISED PURPOSE WITHOUT REID LIFTING'S CONSENT</small>			
<small>UNLESS OTHERWISE SPECIFIED: DIMENSIONS ARE IN MILLIMETERS</small>			

TITLE: **General Arrangement of REID Lifting Porta-Gantry Size TC2 with 5500mm Beam WLL500kg**

DWG NO. **PGSS00500TC2-5500A** A4

Estimated Weight: 234 kg 1:50 SHEET 1 OF 2

## General Specification

- Maximum rated capacity for goods lifting - 500kg
- Maximum rated capacity for personnel lifting - 250kg
- Beam deflection at maximum rated capacity of 500kg - 20-30 mm at centre of span
- Maximum castor surface pressure at full load - 13.72 MPa
- Assembled gantry weight (excluding trollies) - 234kg
- All welding to BS EN ISO 15614-2: 2005 by certified welders.
- For further details and assembly information refer to Operations and Maintenance Manual for Porta Gantry Product. (available at [www.reidlifting.com](http://www.reidlifting.com))

## Fall Protection Standards

- Certified to EN795:2012 Type B & supplied under PPE Regulation 2016/425
- Notified Body Witness tested to the requirements of PD CEN/TS16415:2013 for 3 persons
- Exceeds the requirements of IRATA ICOP & BS7985 (15kN MBL)

## Materials & Finishes

- Frame and beam - 6082 T6 Aluminium alloy. Anodised.
- Castors - Steel. Bright Zinc Plated.
- Castor Wheels & Rollers - Aluminium & Polyurethane
- Fixings - Steel. Grade 12:9. Bright Zinc Plated.

Note: Master Link Trollies shown in system as a reference



Approved

DO NOT SCALE DRAWING

REVISION **02**



Reid Lifting Limited. Unit 1  
Wyeview, Newhouse Farm Ind. Est.,  
Chepstow, Monmouthshire.  
NP16 6UD, UK

Tel +44(0)1291 620796  
Fax: +44(0)1291 626490

[www.reidlifting.com](http://www.reidlifting.com)

[enquiries@reidlifting.com](mailto:enquiries@reidlifting.com)

	NAME	DATE
DRAWN	TB	25/05/2021
CHK'D		
APP'VD	CM	10/03/2023

UNLESS OTHERWISE SPECIFIED:  
DIMENSIONS ARE IN MILLIMETERS

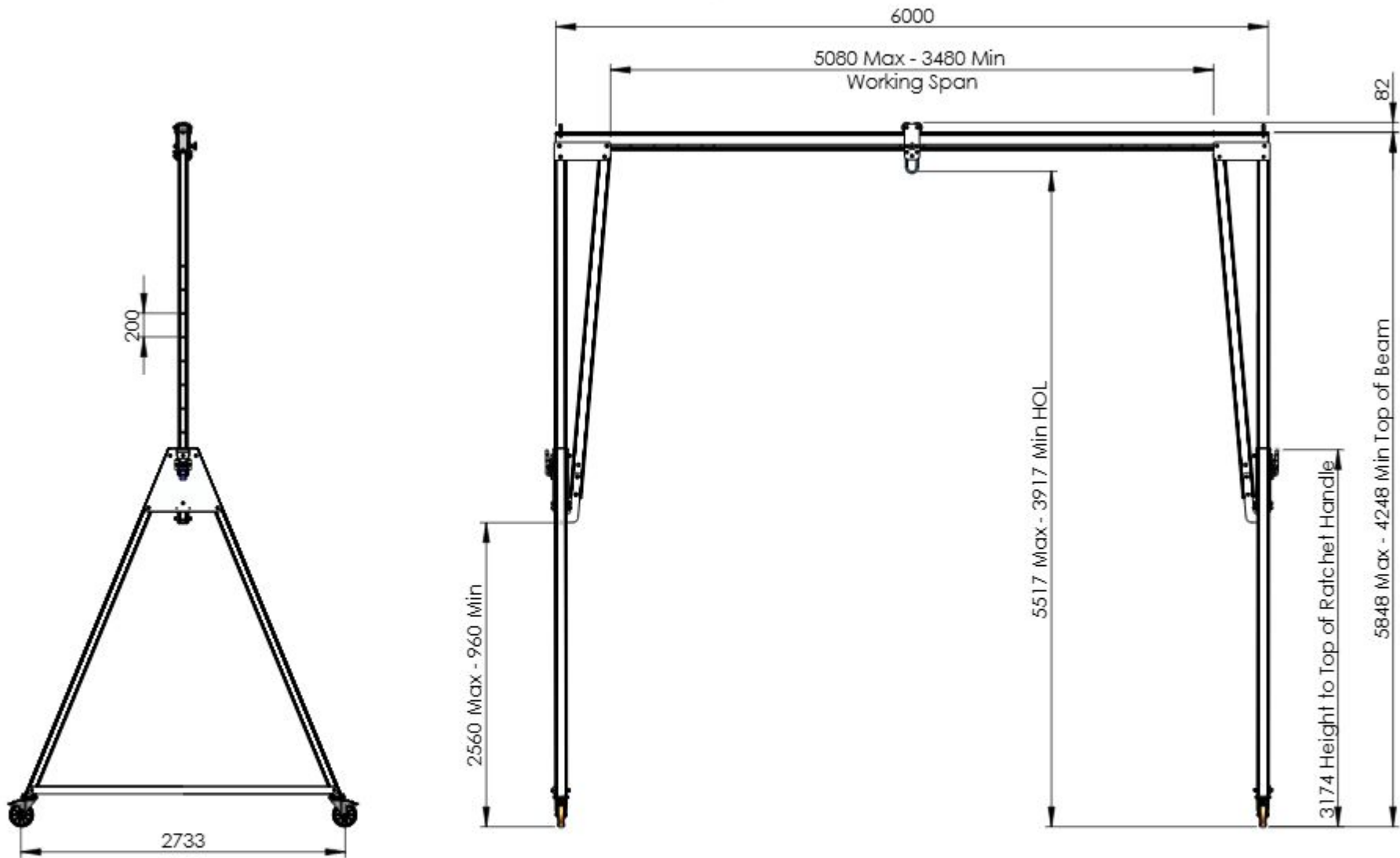
ALL COPYRIGHT AND DESIGN RIGHT SUBSISTING IN THIS DOCUMENT IS THE PROPERTY OF REID LIFTING LIMITED AND MAY NOT BE REPRODUCED WITHOUT REID LIFTING'S CONSENT. THIS DOCUMENT AND THE INFORMATION CONTAINED WITHIN IT IS CONFIDENTIAL AND MAY NOT BE DISCLOSED TO ANY THIRD PARTY NOR USED FOR ANY UNAUTHORISED PURPOSE WITHOUT REID LIFTING'S CONSENT



TITLE: **General Arrangement of REID Lifting Porta-Gantry Size TC2 with 5500mm Beam WLL500kg**

DWG NO. **PGSS00500TC2-5500A** A4

Estimated Weight: 234 kg 1:55 SHEET 2 OF 2



DO NOT SCALE DRAWING

REVISION **02**



Reid Lifting Limited. Unit 1  
Wyeview, Newhouse Farm Ind. Est.,  
Chepstow, Monmouthshire.  
NP16 6UD, UK

Tel +44(0) 1291 620796  
Fax +44(0) 1291 626490

[www.reidlifting.com](http://www.reidlifting.com)

[enquiries@reidlifting.com](mailto:enquiries@reidlifting.com)

	NAME	DATE	FINISH:
DRAWN	TB	25/05/2021	Anodised
CHK'D			MATERIAL:
APP'VD	CM	10/03/2023	Aluminium Alloy
<small>ALL COPYRIGHT AND DESIGN RIGHT SUBSISTING IN THIS DOCUMENT IS THE PROPERTY OF REID LIFTING LIMITED AND MAY NOT BE REPRODUCED WITHOUT REID LIFTING'S CONSENT. THIS DOCUMENT AND THE INFORMATION CONTAINED WITHIN IT IS CONFIDENTIAL AND MAY NOT BE DISCLOSED TO ANY THIRD PARTY NOR USED FOR ANY UNAUTHORISED PURPOSE WITHOUT REID LIFTING'S CONSENT</small>			
<small>UNLESS OTHERWISE SPECIFIED: DIMENSIONS ARE IN MILLIMETERS</small>			



TITLE: **General Arrangement of REID Lifting Porta-Gantry Size TC2 with 6000mm Beam WLL500kg**

DWG NO. **PGSS00500TC2-6000A** A4

Estimated Weight: 238 kg 1:50 SHEET 1 OF 2

## General Specification

- Maximum rated capacity for goods lifting - 500kg
- Maximum rated capacity for personnel lifting - 250kg
- Beam deflection at maximum rated capacity of 500kg - 25-35 mm at centre of span
- Maximum castor surface pressure at full load - 13.76 MPa
- Assembled gantry weight (excluding trolleys) - 238kg
- All welding to BS EN ISO 15614-2: 2005 by certified welders.
- For further details and assembly information refer to Operations and Maintenance Manual for Porta Gantry Product. (available at [www.reidlifting.com](http://www.reidlifting.com))

## Fall Protection Standards

- Certified to EN795:2012 Type B & supplied under PPE Regulation 2016/425
- Notified Body Witness tested to the requirements of PD CEN/TS16415:2013 for 3 persons
- Exceeds the requirements of IRATA ICOP & BS7985 (15kN MBL)

## Materials & Finishes

- Frame and beam - 6082 T6 Aluminium alloy. Anodised.
- Castors - Steel. Bright Zinc Plated.
- Castor Wheels & Rollers - Aluminium & Polyurethane
- Fixings - Steel. Grade 12:9. Bright Zinc Plated.

Note: Master Link Trolleys shown in system as a reference



Approved

DO NOT SCALE DRAWING

REVISION **02**

**REID**  
**LIFTING**

[www.reidlifting.com](http://www.reidlifting.com)

Reid Lifting Limited. Unit 1  
Wyeview, Newhouse Farm Ind. Est.,  
Chepstow, Monmouthshire.  
NP16 6UD, UK

Tel +44(0)1291 620796  
Fax: +44(0)1291 626490

[enquiries@reidlifting.com](mailto:enquiries@reidlifting.com)

	NAME	DATE
DRAWN	TB	25/05/2021
CHK'D		
APPR'D	CM	10/03/2023

UNLESS OTHERWISE SPECIFIED:  
DIMENSIONS ARE IN MILLIMETERS

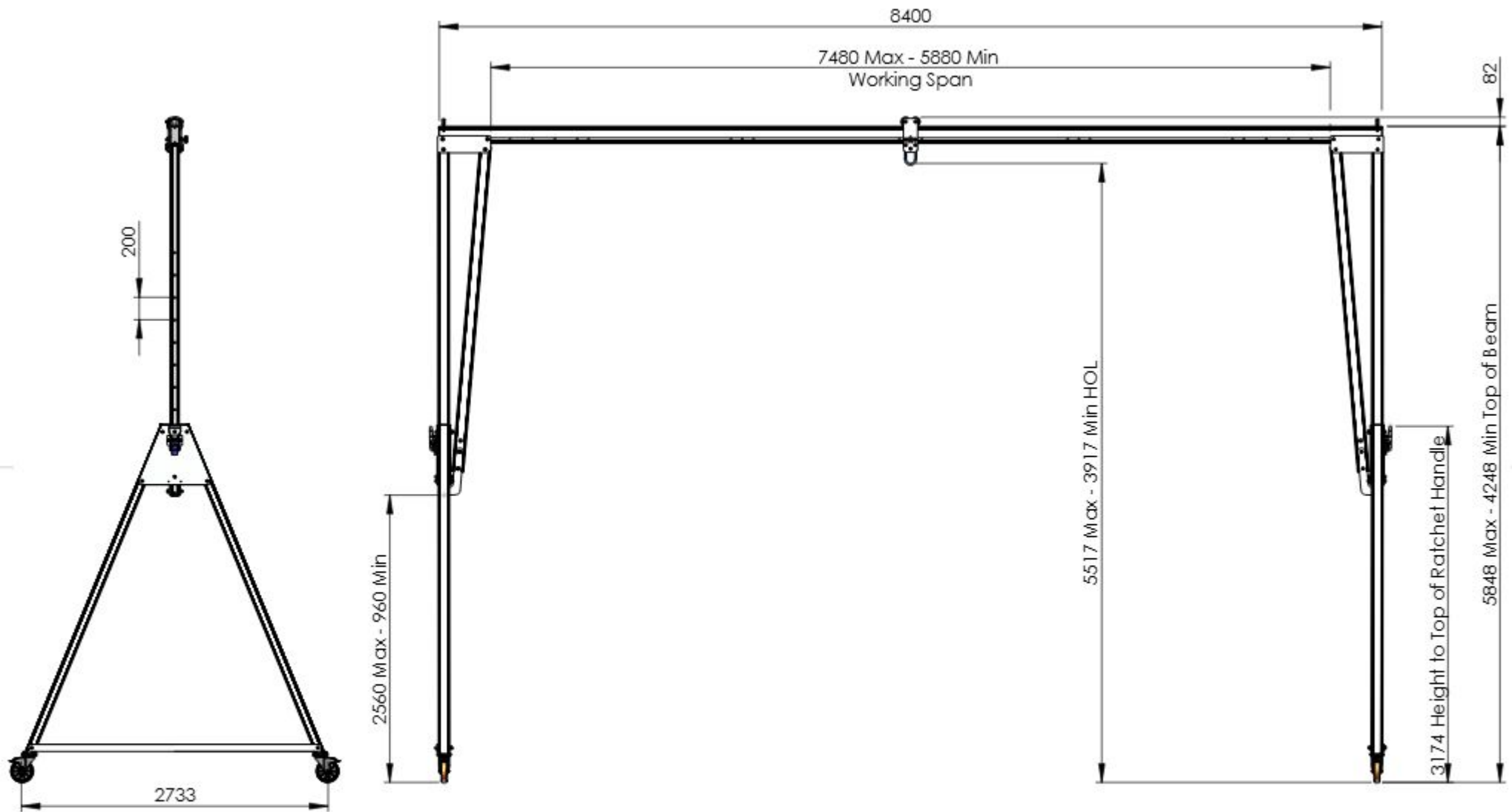
ALL COPYRIGHT AND DESIGN RIGHT SUBSISTING IN THIS DOCUMENT IS THE PROPERTY OF REID LIFTING LIMITED AND MAY NOT BE REPRODUCED WITHOUT REID LIFTING'S CONSENT. THIS DOCUMENT AND THE INFORMATION CONTAINED WITHIN IT IS CONFIDENTIAL AND MAY NOT BE DISCLOSED TO ANY THIRD PARTY NOR USED FOR ANY UNAUTHORISED PURPOSE WITHOUT REID LIFTING'S CONSENT



TITLE: **General Arrangement of REID Lifting Porta-Gantry Size TC2 with 6000mm Beam WLL500kg**

DWG NO. **PGSS00500TC2-6000A** **A4**

Estimated Weight: 238 kg 1:55 SHEET 2 OF 2



DO NOT SCALE DRAWING

REVISION

02



Reid Lifting Limited. Unit 1  
Wyeview, Newhouse Farm Ind. Est.,  
Chepstow, Monmouthshire.  
NP16 6UD, UK

Tel +44(0) 1291 620796  
Fax +44(0) 1291 626490

[www.reidlifting.com](http://www.reidlifting.com)

[enquiries@reidlifting.com](mailto:enquiries@reidlifting.com)

	NAME	DATE	FINISH:
DRAWN	TB	25/05/2021	Anodised
CHK'D			MATERIAL:
APPR'D	CM	10/03/2023	Aluminium Alloy
<small>ALL COPYRIGHT AND DESIGN RIGHT SUBSISTING IN THIS DOCUMENT IS THE PROPERTY OF REID LIFTING LIMITED AND MAY NOT BE REPRODUCED WITHOUT REID LIFTING'S CONSENT. THIS DOCUMENT AND THE INFORMATION CONTAINED WITHIN IT IS CONFIDENTIAL AND MAY NOT BE DISCLOSED TO ANY THIRD PARTY NOR USED FOR ANY UNAUTHORISED PURPOSE WITHOUT REID LIFTING'S CONSENT</small>			
<small>UNLESS OTHERWISE SPECIFIED: DIMENSIONS ARE IN MILLIMETERS</small>			



TITLE:

**General Arrangement of REID  
Lifting Porta-Gantry Size TC2 with  
8400mm Beam WLL500kg**

DWG NO.

**PGSS00500TC2-8400A**

A4

Estimated Weight: 255 kg

1:50

SHEET 1 OF 2

## General Specification

- Maximum rated capacity for goods lifting - 500kg
- Maximum rated capacity for personnel lifting - 250kg
- Beam deflection at maximum rated capacity of 500kg - 60-70 mm at centre of span
- Maximum castor surface pressure at full load - 13.95 MPa
- Assembled gantry weight (excluding trollies) - 256kg
- All welding to BS EN ISO 15614-2: 2005 by certified welders.
- For further details and assembly information refer to Operations and Maintenance Manual for Porta Gantry Product. (available at [www.reidlifting.com](http://www.reidlifting.com))

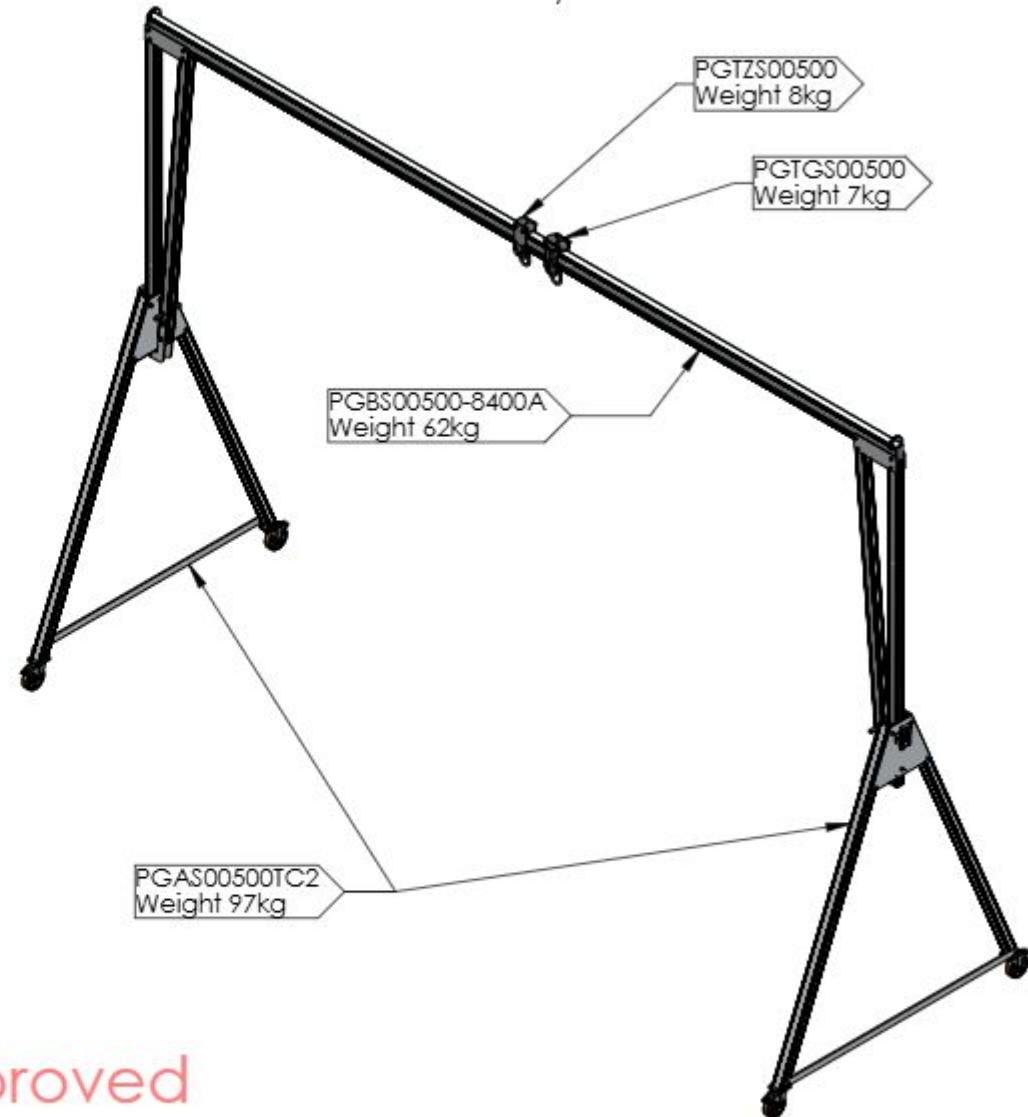
## Fall Protection Standards

- Certified to EN795:2012 Type B & supplied under PPE Regulation 2016/425
- Notified Body Witness tested to the requirements of PD CEN/TS16415:2013 for 3 persons
- Exceeds the requirements of IRATA ICOP & BS7985 (15kN MBL)

## Materials & Finishes

- Frame and beam - 6082 T6 Aluminium alloy. Anodised.
- Castors - Steel. Bright Zinc Plated.
- Castor Wheels & Rollers - Aluminium & Polyurethane
- Fixings - Steel. Grade 12:9. Bright Zinc Plated.

Note: Master Link Trolleys shown in system as a reference



Approved

DO NOT SCALE DRAWING

REVISION

02



Reid Lifting Limited. Unit 1  
Wyeview, Newhouse Farm Ind. Est.,  
Chepstow, Monmouthshire.  
NP16 6UD, UK

Tel +44(0)1291 620796  
Fax: +44(0)1291 626490

[www.reidlifting.com](http://www.reidlifting.com)

[enquiries@reidlifting.com](mailto:enquiries@reidlifting.com)

	NAME	DATE
DRAWN	TB	25/05/2021
CHK'D		
APP'VD	CM	10/03/2023

UNLESS OTHERWISE SPECIFIED:  
DIMENSIONS ARE IN MILLIMETERS

ALL COPYRIGHT AND DESIGN RIGHT SUBSISTING IN THIS DOCUMENT IS THE PROPERTY OF REID LIFTING LIMITED AND MAY NOT BE REPRODUCED WITHOUT REID LIFTING'S CONSENT. THIS DOCUMENT AND THE INFORMATION CONTAINED WITHIN IT IS CONFIDENTIAL AND MAY NOT BE DISCLOSED TO ANY THIRD PARTY NOR USED FOR ANY UNAUTHORIZED PURPOSE WITHOUT REID LIFTING'S CONSENT



TITLE: **General Arrangement of REID Lifting Porta-Gantry Size TC2 with 8400mm Beam WLL500kg**

DWG NO.

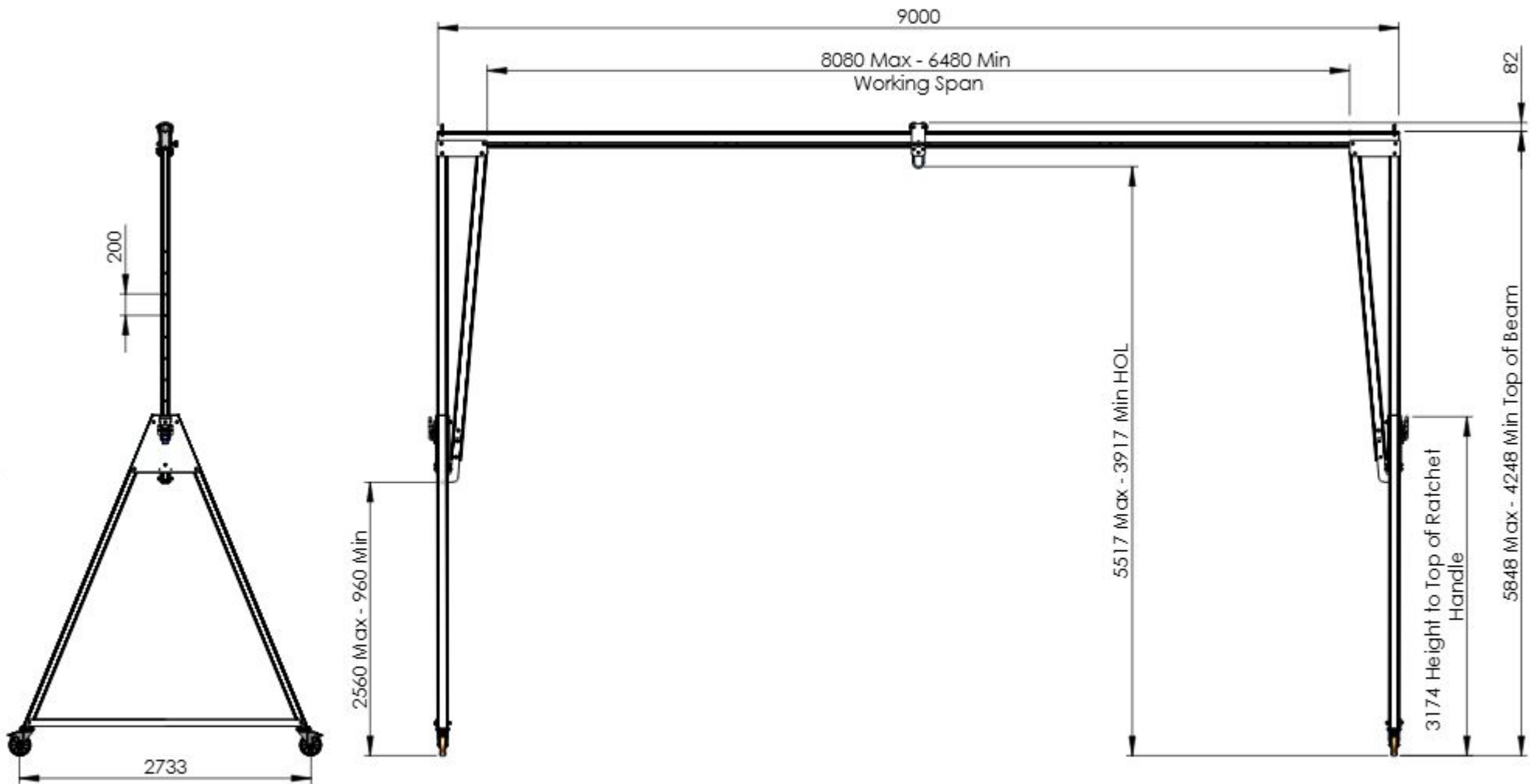
**PGSS00500TC2-8400A**

A4

Estimated Weight: 255 kg

1:60

SHEET 2 OF 2



DO NOT SCALE DRAWING

REVISION

02



Reid Lifting Limited. Unit 1  
Wyeview, Newhouse Farm Ind. Est.,  
Chepstow, Monmouthshire.  
NP16 6UD, UK

Tel +44(0) 1291 620796  
Fax +44(0) 1291 626490

[www.reidlifting.com](http://www.reidlifting.com)

[enquiries@reidlifting.com](mailto:enquiries@reidlifting.com)

	NAME	DATE	FINISH:
DRAWN	TB	25/05/2021	Anodised
CHK'D			MATERIAL:
APPR'D	CM	10/03/2023	Aluminium Alloy
<small>ALL COPYRIGHT AND DESIGN RIGHT SUBSISTING IN THIS DOCUMENT IS THE PROPERTY OF REID LIFTING LIMITED AND MAY NOT BE REPRODUCED WITHOUT REID LIFTING'S CONSENT. THIS DOCUMENT AND THE INFORMATION CONTAINED WITHIN IT IS CONFIDENTIAL AND MAY NOT BE DISCLOSED TO ANY THIRD PARTY NOR USED FOR ANY UNAUTHORISED PURPOSE WITHOUT REID LIFTING'S CONSENT</small>			
<small>UNLESS OTHERWISE SPECIFIED: DIMENSIONS ARE IN MILLIMETERS</small>			



TITLE:

**General Arrangement of REID  
Lifting Porta-Gantry Size TC2 with  
9000mm Beam WLL500kg**

DWG NO.

**PGSS00500TC2-9000A**

A4

Estimated Weight: 260 kg

1:55

SHEET 1 OF 2

## General Specification

- Maximum rated capacity for goods lifting - 500kg
- Maximum rated capacity for personnel lifting - 250kg
- Beam deflection at maximum rated capacity of 500kg - 80-90 mm at centre of span
- Maximum castor surface pressure at full load - 14.00 MPa
- Assembled gantry weight (excluding trollies) - 260kg
- All welding to BS EN ISO 15614-2: 2005 by certified welders.
- For further details and assembly information refer to Operations and Maintenance Manual for Porta Gantry Product. (available at [www.reidlifting.com](http://www.reidlifting.com))

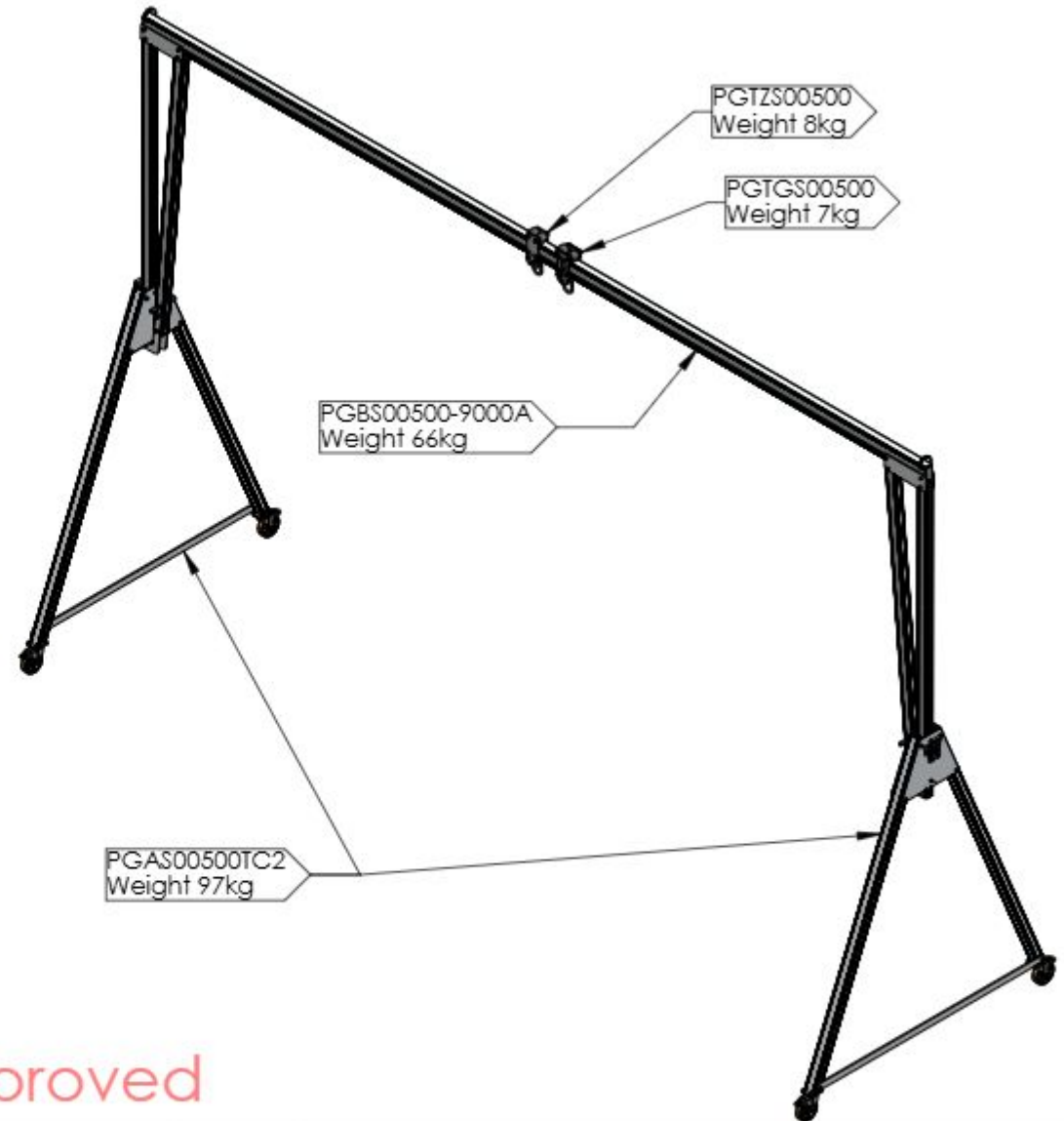
## Fall Protection Standards

- Certified to EN795:2012 Type B & supplied under PPE Regulation 2016/425
- Notified Body Witness tested to the requirements of PD CEN/TS16415:2013 for 3 persons
- Exceeds the requirements of IRATA ICOP & BS7985 (15kN MBL)

## Materials & Finishes

- Frame and beam - 6082 T6 Aluminium alloy. Anodised.
- Castors - Steel. Bright Zinc Plated.
- Castor Wheels & Rollers - Nylon & Polyurethane
- Fixings - Steel. Grade 12:9. Bright Zinc Plated.

Note: Master Link Trolleys shown in system as a reference



Approved

DO NOT SCALE DRAWING

REVISION **02**



Reid Lifting Limited. Unit 1  
Wyeview, Newhouse Farm Ind. Est.,  
Chepstow, Monmouthshire.  
NP16 6UD, UK

Tel +44(0)1291 620796  
Fax: +44(0)1291 626490

[www.reidlifting.com](http://www.reidlifting.com)

[enquiries@reidlifting.com](mailto:enquiries@reidlifting.com)

	NAME	DATE
DRAWN	TB	25/05/2021
CHK'D		
APPR'D	CM	10/03/2023

UNLESS OTHERWISE SPECIFIED:  
DIMENSIONS ARE IN MILLIMETERS

ALL COPYRIGHT AND DESIGN RIGHT SUBSISTING IN THIS DOCUMENT IS THE PROPERTY OF REID LIFTING LIMITED AND MAY NOT BE REPRODUCED WITHOUT REID LIFTING'S CONSENT. THIS DOCUMENT AND THE INFORMATION CONTAINED WITHIN IT IS CONFIDENTIAL AND MAY NOT BE DISCLOSED TO ANY THIRD PARTY NOR USED FOR ANY UNAUTHORISED PURPOSE WITHOUT REID LIFTING'S CONSENT

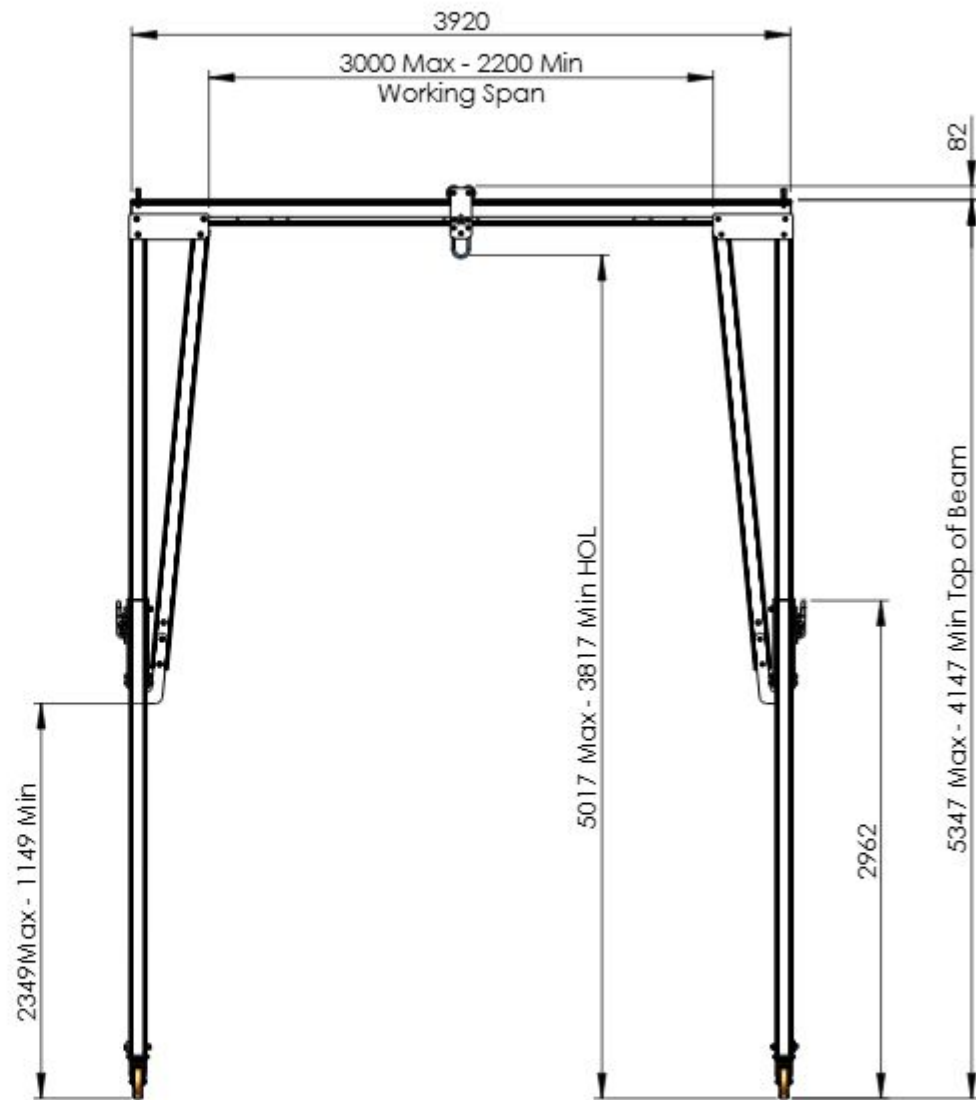
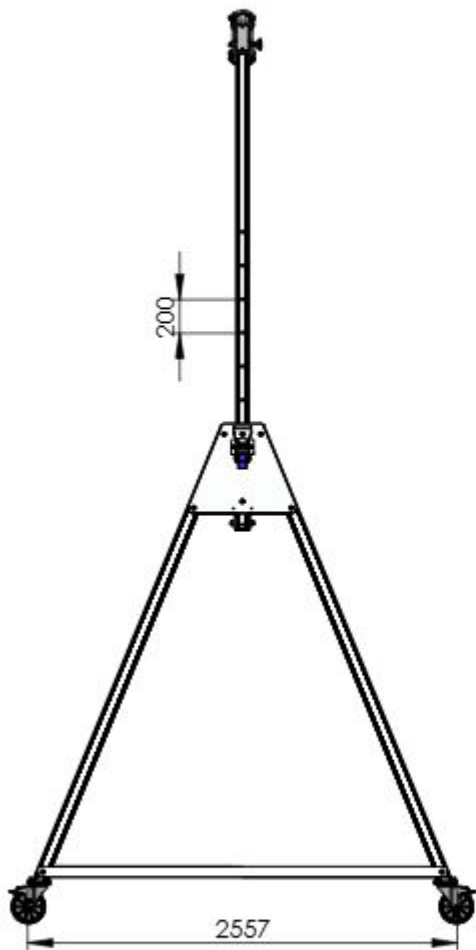


TITLE: **General Arrangement of REID Lifting Porta-Gantry Size TC2 with 9000mm Beam WLL500kg**

DWG NO. **PGSS00500TC2-9000A** A4

Estimated Weight: 260 kg 1:60 SHEET 2 OF 2

**!** To ensure stability of the structure, the working span of the beam must be equal to or greater than the distance between castors on the A-frame



DO NOT SCALE DRAWING

REVISION **03**



Reid Lifting Limited. Unit 1  
Wyeview, Newhouse Farm Ind. Est.,  
Chepstow, Monmouthshire.  
NP16 6UD, UK

Tel +44(0) 1291 620796  
Fax +44(0) 1291 626490

[www.reidlifting.com](http://www.reidlifting.com)

[enquiries@reidlifting.com](mailto:enquiries@reidlifting.com)

	NAME	DATE	FINISH:
DRAWN	BJ	18/11/2020	Anodised
CHK'D			MATERIAL:
APPR'D	CM	10/03/2023	Aluminium Alloy
<small>ALL COPYRIGHT AND DESIGN RIGHT SUBSISTING IN THIS DOCUMENT IS THE PROPERTY OF REID LIFTING LIMITED AND MAY NOT BE REPRODUCED WITHOUT REID LIFTING'S CONSENT. THIS DOCUMENT AND THE INFORMATION CONTAINED WITHIN IT IS CONFIDENTIAL AND MAY NOT BE DISCLOSED TO ANY THIRD PARTY NOR USED FOR ANY UNAUTHORISED PURPOSE WITHOUT REID LIFTING'S CONSENT</small>			
<small>UNLESS OTHERWISE SPECIFIED: DIMENSIONS ARE IN MILLIMETERS</small>			



TITLE: **General Arrangement of REID Lifting Porta-Gantry Size TC3 3920mm Beam WLL500kg**

DWG NO. **PGSS00500TC3-3920A**

A4

Estimated Weight: 211kg

1:45

SHEET 1 OF 2

## General Specification

- Maximum rated capacity for goods lifting - 500kg
- Maximum rated capacity for personnel lifting - 250kg
- Beam deflection at maximum rated capacity of 500kg - between 5-10 mm at centre of span
- Maximum castor surface pressure at full load - 13.46 MPa
- Assembled gantry weight (excluding trolleys) - 211kg
- All welding to BS EN ISO 15614-2: 2005 by certified welders.
- For further details and assembly information refer to Operations and Maintenance Manual for Porta Gantry Product. (available at [www.reidlifting.com](http://www.reidlifting.com))

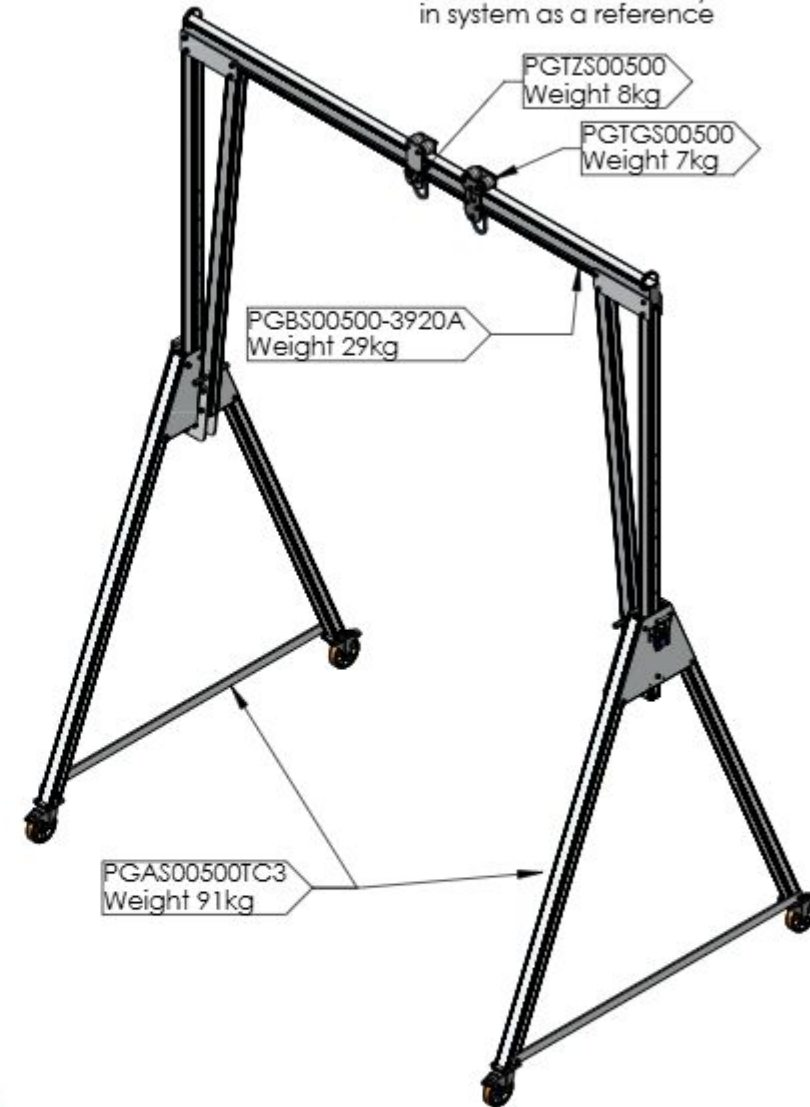
## Fall Protection Standards

- Certified to EN795:2012 Type B & supplied under PPE Regulation 2016/425
- Notified Body Witness tested to the requirements of PD CEN/TS16415:2013 for 3 persons
- Exceeds the requirements of IRATA ICOP & BS7985 (15kN MBL)
- Tested to and meets the requirements of ANSI Z359.18.2017 for 2 persons.

## Materials & Finishes

- Frame and beam - 6082 T6 Aluminium alloy. Anodised.
- Castors - Steel. Bright Zinc Plated.
- Castor Wheels & Rollers - Aluminium & Polyurethane
- Fixings - Steel. Grade 12.9. Bright Zinc Plated.

Note: Master Link Trolleys shown in system as a reference



Approved

DO NOT SCALE DRAWING

REVISION

03



Reid Lifting Limited. Unit 1  
Wyeview, Newhouse Farm Ind. Est.,  
Chepstow, Monmouthshire.  
NP16 6UD, UK

Tel +44(0)1291 620796  
Fax: +44(0)1291 626490

[www.reidlifting.com](http://www.reidlifting.com)

[enquiries@reidlifting.com](mailto:enquiries@reidlifting.com)

	NAME	DATE
DRAWN	BJ	18/11/2020
CHK'D		
APP'VD	CM	10/03/2023

UNLESS OTHERWISE SPECIFIED:  
DIMENSIONS ARE IN MILLIMETERS

ALL COPYRIGHT AND DESIGN RIGHT SUBSISTING IN THIS DOCUMENT IS THE PROPERTY OF REID LIFTING LIMITED AND MAY NOT BE REPRODUCED WITHOUT REID LIFTING'S CONSENT. THIS DOCUMENT AND THE INFORMATION CONTAINED WITHIN IT IS CONFIDENTIAL AND MAY NOT BE DISCLOSED TO ANY THIRD PARTY NOR USED FOR ANY UNAUTHORIZED PURPOSE WITHOUT REID LIFTING'S CONSENT



TITLE: **General Arrangement of REID Lifting Porta-Gantry Size TC3 3920mm Beam WLL500kg**

DWG NO.

**PGSS00500TC3-3920A**

A4

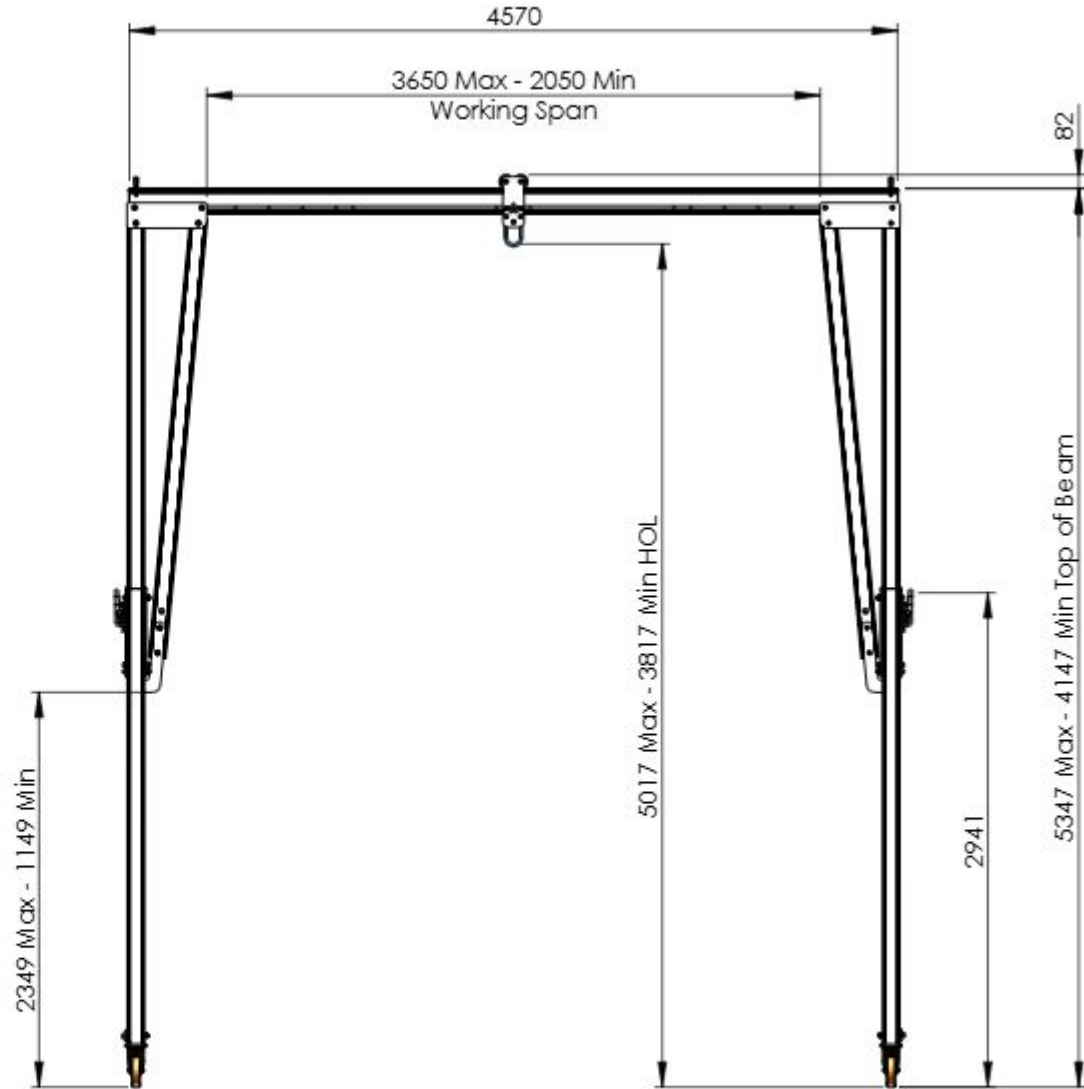
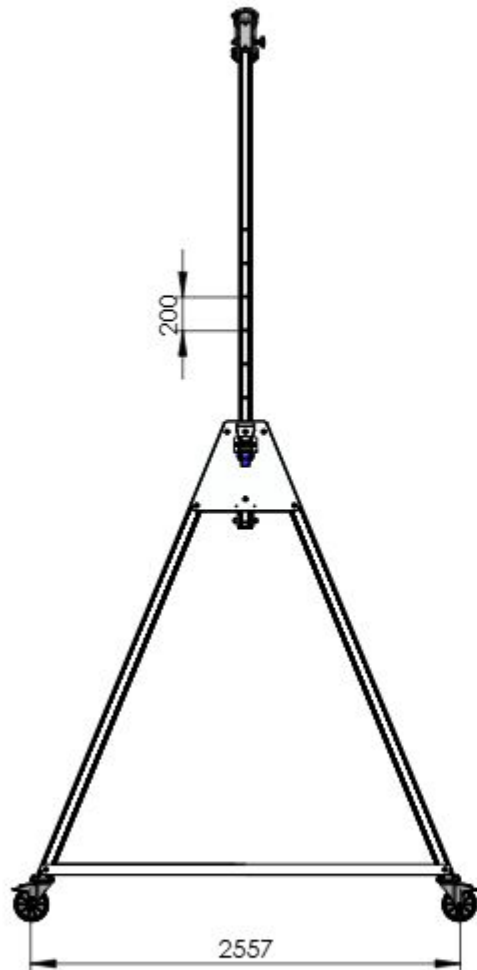
Estimated Weight: 211kg

1:45

SHEET 2 OF 2



To ensure stability of the structure, the working span of the beam must be equal to or greater than the distance between the castors on the A-frame



DO NOT SCALE DRAWING

REVISION

03



Reid Lifting Limited. Unit 1  
Wyeview, Newhouse Farm Ind. Est.,  
Chepstow, Monmouthshire.  
NP16 6UD, UK

Tel +44(0) 1291 620796  
Fax +44(0) 1291 626490

[www.reidlifting.com](http://www.reidlifting.com)

[enquiries@reidlifting.com](mailto:enquiries@reidlifting.com)

	NAME	DATE	FINISH:
DRAWN	BJ	10/12/2020	Anodised
CHK'D			MATERIAL:
APPR'D	CM	10/03/2023	Aluminium Alloy
<small>ALL COPYRIGHT AND DESIGN RIGHT SUBSISTING IN THIS DOCUMENT IS THE PROPERTY OF REID LIFTING LIMITED AND MAY NOT BE REPRODUCED WITHOUT REID LIFTING'S CONSENT. THIS DOCUMENT AND THE INFORMATION CONTAINED WITHIN IT IS CONFIDENTIAL AND MAY NOT BE DISCLOSED TO ANY THIRD PARTY NOR USED FOR ANY UNAUTHORISED PURPOSE WITHOUT REID LIFTING'S CONSENT</small>			
<small>UNLESS OTHERWISE SPECIFIED: DIMENSIONS ARE IN MILLIMETERS</small>			



TITLE: **General Arrangement of REID Lifting Porta-Gantry Size TC3 4570mm Beam WLL500kg**

DWG NO.

**PGSS00500TC3-4570A**

A4

Estimated Weight: 215kg

1:45

SHEET 1 OF 2

## General Specification

- Maximum rated capacity for goods lifting - 500kg
- Maximum rated capacity for personnel lifting - 250kg
- Beam deflection at maximum rated capacity of 500kg - between 10-15 mm at centre of span
- Maximum castor surface pressure at full load - 13.51 MPa
- Assembled gantry weight (excluding trolleys) - 215kg
- All welding to BS EN ISO 15614-2: 2005 by certified welders.
- For further details and assembly information refer to Operations and Maintenance Manual for Porta Gantry Product. (available at [www.reidlifting.com](http://www.reidlifting.com))

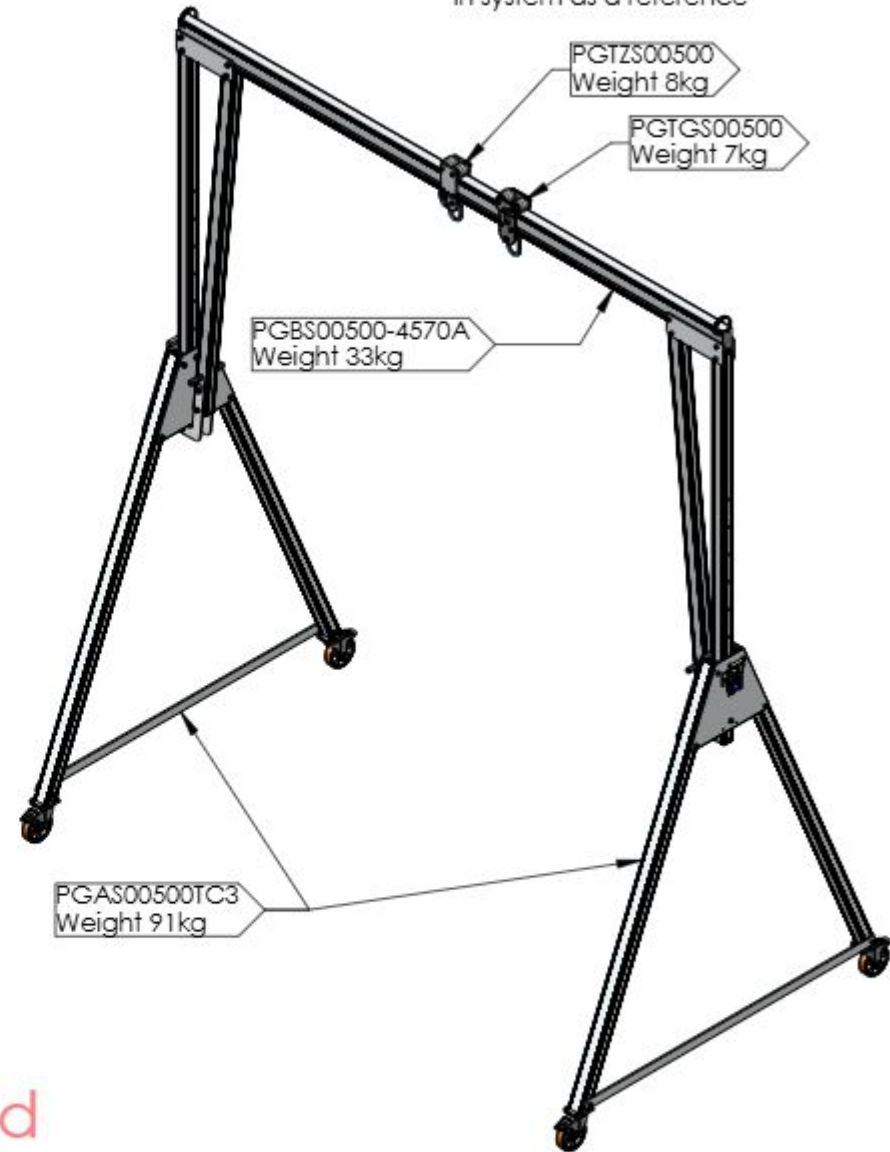
## Fall Protection Standards

- Certified to EN795:2012 Type B & supplied under PPE Regulation 2016/425
- Notified Body Witness tested to the requirements of PD CEN/TS16415:2013 for 3 persons
- Exceeds the requirements of IRATA ICOP & BS7985 (15kN MBL)
- Tested to and meets the requirements of ANSI Z359.18.2017 for 2 persons.

## Materials & Finishes

- Frame and beam - 6082 T6 Aluminium alloy. Anodised.
- Castors - Steel. Bright Zinc Plated.
- Castor Wheels & Rollers - Aluminium & Polyurethane
- Fixings - Steel. Grade 12.9. Bright Zinc Plated.

Note: Master Link Trolleys shown in system as a reference



Approved

DO NOT SCALE DRAWING

REVISION **03**

**REID**  
**LIFTING**

[www.reidlifting.com](http://www.reidlifting.com)

Reid Lifting Limited. Unit 1  
Wyeview, Newhouse Farm Ind. Est.,  
Chepstow, Monmouthshire.  
NP16 6UD, UK

Tel +44(0)1291 620796  
Fax: +44(0)1291 626490

[enquiries@reidlifting.com](mailto:enquiries@reidlifting.com)

	NAME	DATE
DRAWN	BJ	10/12/2020
CHK'D		
APPR'D	CM	10/03/2023

UNLESS OTHERWISE SPECIFIED:  
DIMENSIONS ARE IN MILLIMETERS

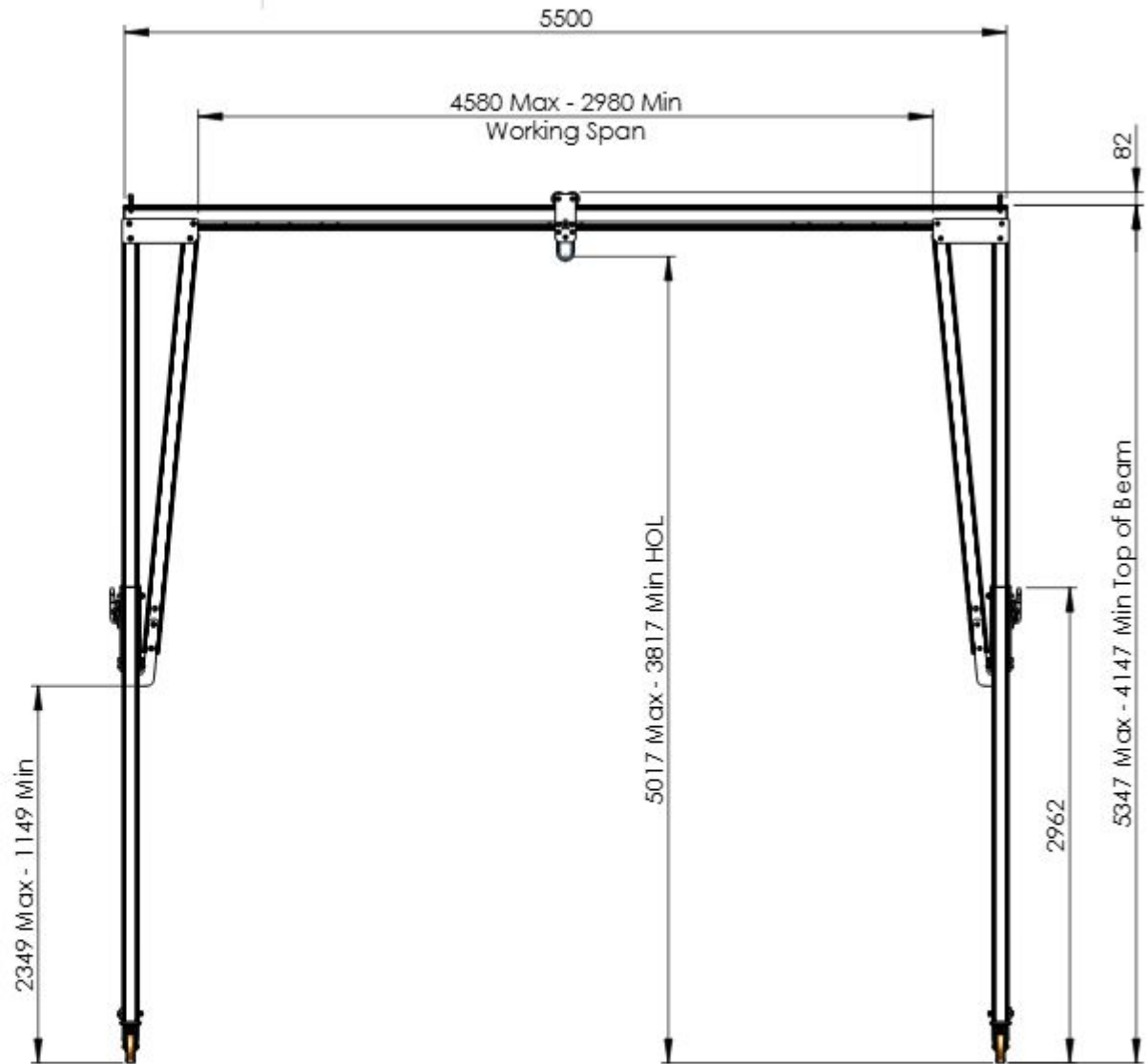
ALL COPYRIGHT AND DESIGN RIGHT SUBSISTING IN THIS DOCUMENT IS THE PROPERTY OF REID LIFTING LIMITED AND MAY NOT BE REPRODUCED WITHOUT REID LIFTING'S CONSENT. THIS DOCUMENT AND THE INFORMATION CONTAINED WITHIN IT IS CONFIDENTIAL AND MAY NOT BE DISCLOSED TO ANY THIRD PARTY NOR USED FOR ANY UNAUTHORISED PURPOSE WITHOUT REID LIFTING'S CONSENT



TITLE: **General Arrangement of REID Lifting Porta-Gantry Size TC3 4570mm Beam WLL500kg**

DWG NO. **PGSS00500TC3-4570A** A4

Estimated Weight: 215kg 1:45 SHEET 2 OF 2



DO NOT SCALE DRAWING

REVISION **02**



Reid Lifting Limited. Unit 1  
Wyeview, Newhouse Farm Ind. Est.,  
Chepstow, Monmouthshire,  
NP16 6UD, UK

Tel +44(0) 1291 620796  
Fax +44(0) 1291 626490

[www.reidlifting.com](http://www.reidlifting.com)

[enquiries@reidlifting.com](mailto:enquiries@reidlifting.com)

	NAME	DATE	FINISH:
DRAWN	SS	07/06/2021	Anodised
CHK'D			MATERIAL:
APPR'D	CM	10/03/2023	Aluminium Alloy
<small>ALL COPYRIGHT AND DESIGN RIGHT SUBSISTING IN THIS DOCUMENT IS THE PROPERTY OF REID LIFTING LIMITED AND MAY NOT BE REPRODUCED WITHOUT REID LIFTING'S CONSENT. THIS DOCUMENT AND THE INFORMATION CONTAINED WITHIN IT IS CONFIDENTIAL AND MAY NOT BE DISCLOSED TO ANY THIRD PARTY NOR USED FOR ANY UNAUTHORISED PURPOSE WITHOUT REID LIFTING'S CONSENT</small>			
<small>UNLESS OTHERWISE SPECIFIED: DIMENSIONS ARE IN MILLIMETERS</small>			



TITLE: **General Arrangement of REID Lifting Porta-Gantry Size TC3 - 5500mm Beam WLL500kg**

DWG NO. **PGSS00500TC3-5500A** A4

Estimated Weight: 222kg

1:45

SHEET 1 OF 2

## General Specification

- Maximum rated capacity for goods lifting - 500kg
- Maximum rated capacity for personnel lifting - 250kg
- Beam deflection at maximum rated capacity of 500kg - between 20-30mm at centre of span
- Maximum castor surface pressure at full load - 13.59 MPa
- Assembled gantry weight (excluding trolleys) - 222kg
- All welding to BS EN ISO 15614-2: 2005 by certified welders.
- For further details and assembly information refer to Operations and Maintenance Manual for Porta Gantry Product. (available at [www.reidlifting.com](http://www.reidlifting.com))

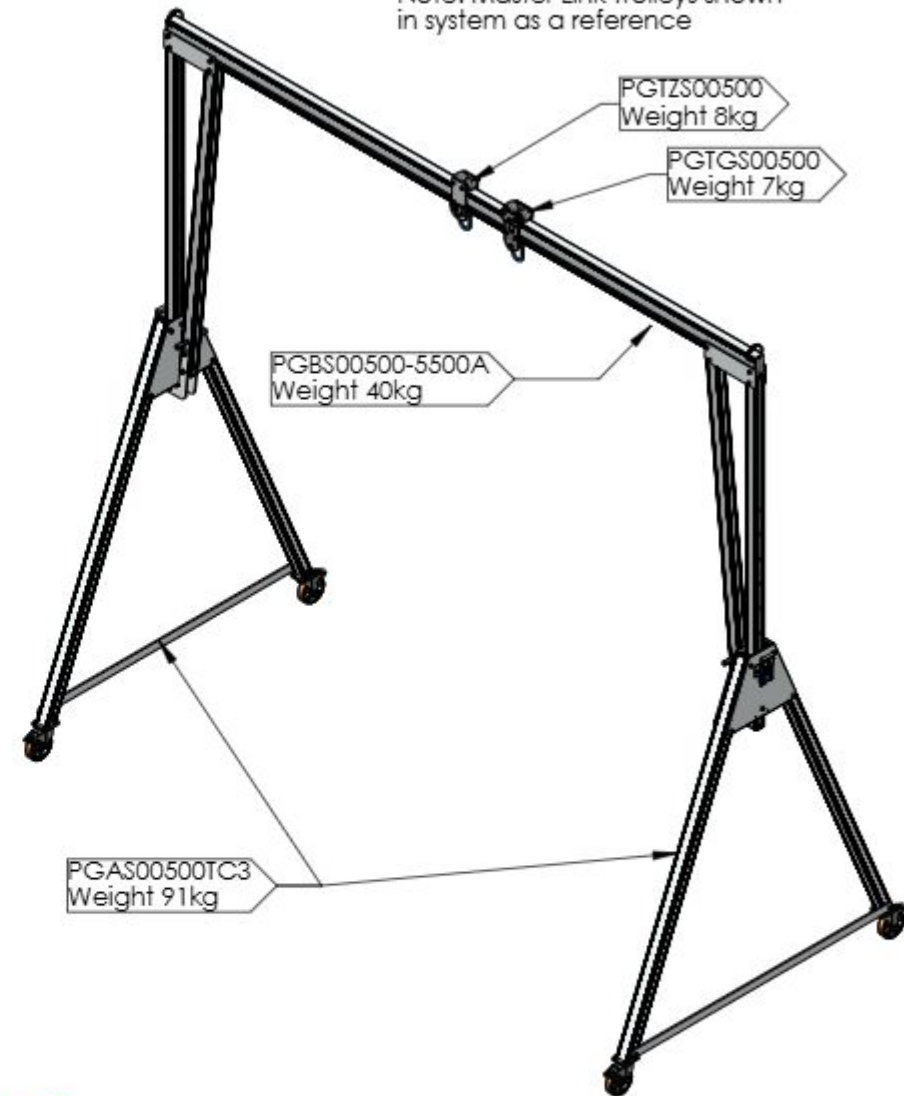
## Fall Protection Standards

- Certified to EN795:2012 Type B & supplied under PPE Regulation 2016/425
- Notified Body Witness tested to the requirements of PD CEN/TS16415:2013 for 3 persons
- Exceeds the requirements of IRATA ICOP & BS7985 (15kN MBL)

## Materials & Finishes

- Frame and beam - 6082 T6 Aluminium alloy. Anodised.
- Castors - Steel. Bright Zinc Plated.
- Castor Wheels & Rollers - Aluminium & Polyurethane
- Fixings - Steel. Grade 12:9. Bright Zinc Plated.

Note: Master Link Trolleys shown in system as a reference



Approved

DO NOT SCALE DRAWING

REVISION

02



Reid Lifting Limited. Unit 1  
Wyeview, Newhouse Farm Ind. Est.,  
Chepstow, Monmouthshire.  
NP16 6UD, UK

Tel +44(0)1291 620796  
Fax: +44(0)1291 626490

[www.reidlifting.com](http://www.reidlifting.com)

[enquiries@reidlifting.com](mailto:enquiries@reidlifting.com)

	NAME	DATE
DRAWN	SS	07/06/2021
CHK'D		
APPR'D	CM	10/03/2023

UNLESS OTHERWISE SPECIFIED:  
DIMENSIONS ARE IN MILLIMETERS

ALL COPYRIGHT AND DESIGN RIGHT SUBSISTING IN THIS DOCUMENT IS THE PROPERTY OF REID LIFTING LIMITED AND MAY NOT BE REPRODUCED WITHOUT REID LIFTING'S CONSENT. THIS DOCUMENT AND THE INFORMATION CONTAINED WITHIN IT IS CONFIDENTIAL AND MAY NOT BE DISCLOSED TO ANY THIRD PARTY NOR USED FOR ANY UNAUTHORIZED PURPOSE WITHOUT REID LIFTING'S CONSENT



TITLE:

General Arrangement of REID  
Lifting Porta-Gantry Size TC3 -  
5500mm Beam WLL500kg

DWG NO.

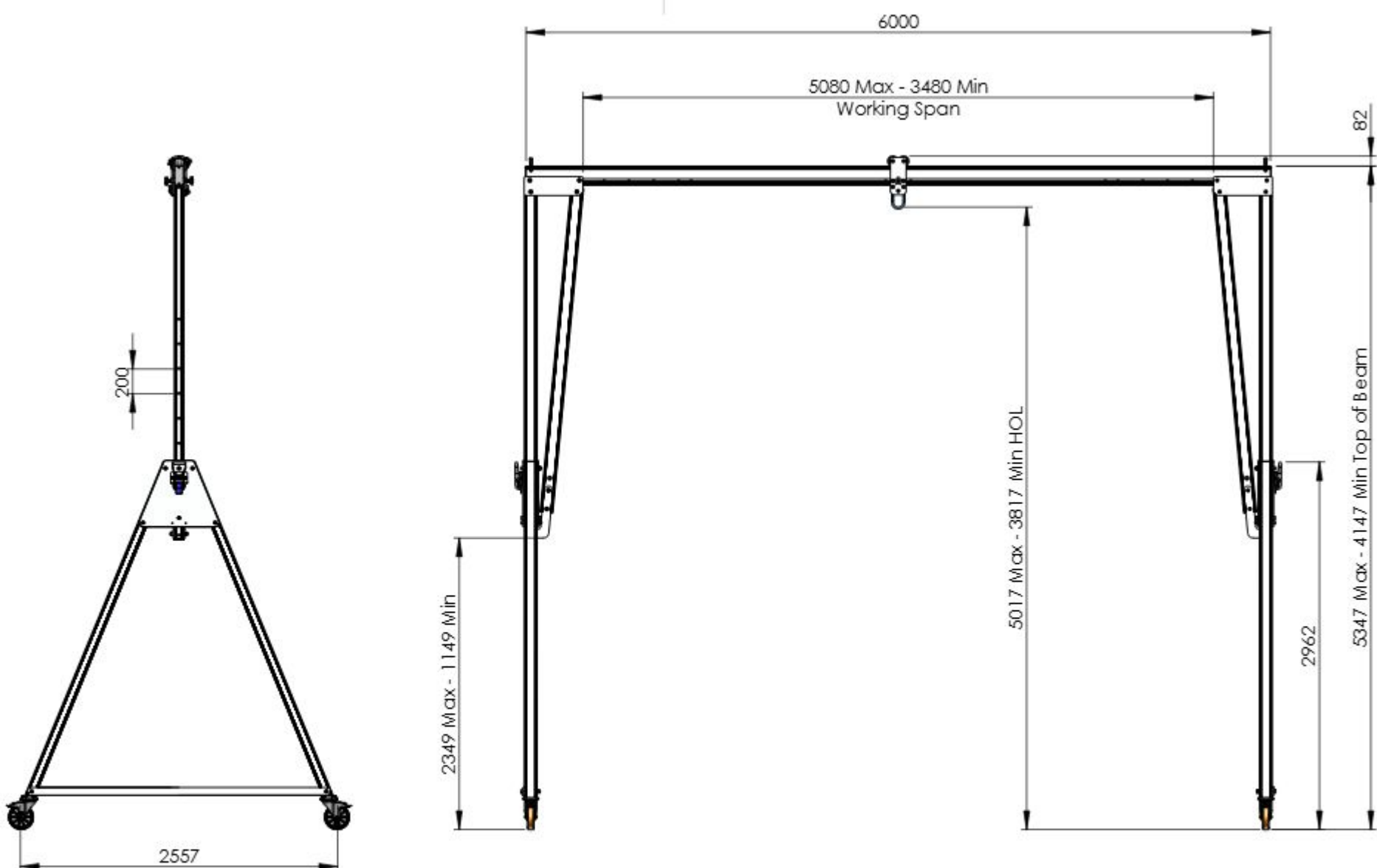
PGSS00500TC3-5500A

A4

Estimated Weight: 222kg

1:50

SHEET 2 OF 2



DO NOT SCALE DRAWING

REVISION **02**



Reid Lifting Limited. Unit 1  
Wyeview, Newhouse Farm Ind. Est.,  
Chepstow, Monmouthshire.  
NP16 6UD, UK

Tel +44(0) 1291 620796  
Fax +44(0) 1291 626490

[www.reidlifting.com](http://www.reidlifting.com)

[enquiries@reidlifting.com](mailto:enquiries@reidlifting.com)

	NAME	DATE	FINISH:
DRAWN	SS	07/06/2021	Anodised
CHK'D			MATERIAL:
APPR'D	CM	10/03/2023	Aluminium Alloy
<small>ALL COPYRIGHT AND DESIGN RIGHT SUBSISTING IN THIS DOCUMENT IS THE PROPERTY OF REID LIFTING LIMITED AND MAY NOT BE REPRODUCED WITHOUT REID LIFTING'S CONSENT. THIS DOCUMENT AND THE INFORMATION CONTAINED WITHIN IT IS CONFIDENTIAL AND MAY NOT BE DISCLOSED TO ANY THIRD PARTY NOR USED FOR ANY UNAUTHORISED PURPOSE WITHOUT REID LIFTING'S CONSENT</small>			
<small>UNLESS OTHERWISE SPECIFIED: DIMENSIONS ARE IN MILLIMETERS</small>			



TITLE: **General Arrangement of REID Lifting Porta-Gantry Size TC3 - 6000mm Beam WLL500kg**

DWG NO. **PGSS00500TC3-6000A** **A4**

Estimated Weight: 226kg

1:45

SHEET 1 OF 2

## General Specification

- Maximum rated capacity for goods lifting - 500kg
- Maximum rated capacity for personnel lifting - 250kg
- Beam deflection at maximum rated capacity of 500kg - between 25-35mm at centre of span
- Maximum castor surface pressure at full load - 13.63 MPa
- Assembled gantry weight (excluding trollies) - 226kg
- All welding to BS EN ISO 15614-2: 2005 by certified welders.
- For further details and assembly information refer to Operations and Maintenance Manual for Porta Gantry Product. (available at [www.reidlifting.com](http://www.reidlifting.com))

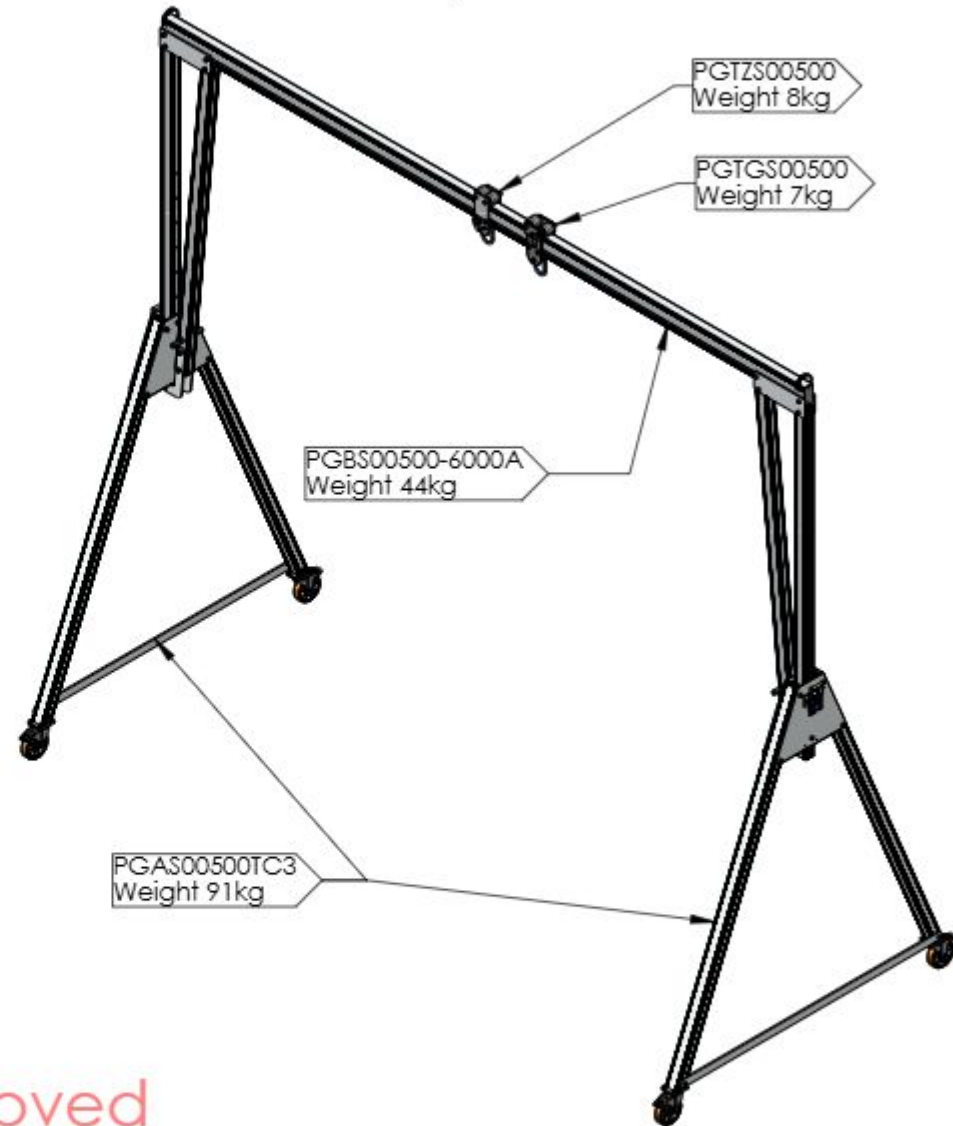
## Fall Protection Standards

- Certified to EN795:2012 Type B & supplied under PPE Regulation 2016/425
- Notified Body Witness tested to the requirements of PD CEN/TS16415:2013 for 3 persons
- Exceeds the requirements of IRATA ICOP & BS7985 (15kN MBL)

## Materials & Finishes

- Frame and beam - 6082 T6 Aluminium alloy. Anodised.
- Castors - Steel. Bright Zinc Plated.
- Castor Wheels & Rollers - Aluminium & Polyurethane
- Fixings - Steel. Grade 12:9. Bright Zinc Plated.

Note: Master Link Trollies shown in system as a reference



Approved

DO NOT SCALE DRAWING

REVISION **02**



Reid Lifting Limited. Unit 1  
Wyeview, Newhouse Farm Ind. Est.,  
Chepstow, Monmouthshire.  
NP16 6UD, UK

Tel +44(0)1291 620796  
Fax: +44(0)1291 626490

[www.reidlifting.com](http://www.reidlifting.com)

[enquiries@reidlifting.com](mailto:enquiries@reidlifting.com)

	NAME	DATE
DRAWN	SS	07/06/2021
CHK'D		
APPR'D	CM	10/03/2023

UNLESS OTHERWISE SPECIFIED:  
DIMENSIONS ARE IN MILLIMETERS

ALL COPYRIGHT AND DESIGN RIGHT SUBSISTING IN THIS DOCUMENT IS THE PROPERTY OF REID LIFTING LIMITED AND MAY NOT BE REPRODUCED WITHOUT REID LIFTING'S CONSENT. THIS DOCUMENT AND THE INFORMATION CONTAINED WITHIN IT IS CONFIDENTIAL AND MAY NOT BE DISCLOSED TO ANY THIRD PARTY NOR USED FOR ANY UNAUTHORIZED PURPOSE WITHOUT REID LIFTING'S CONSENT



TITLE:

**General Arrangement of REID Lifting Porta-Gantry Size TC3 - 6000mm Beam WLL500kg**

DWG NO.

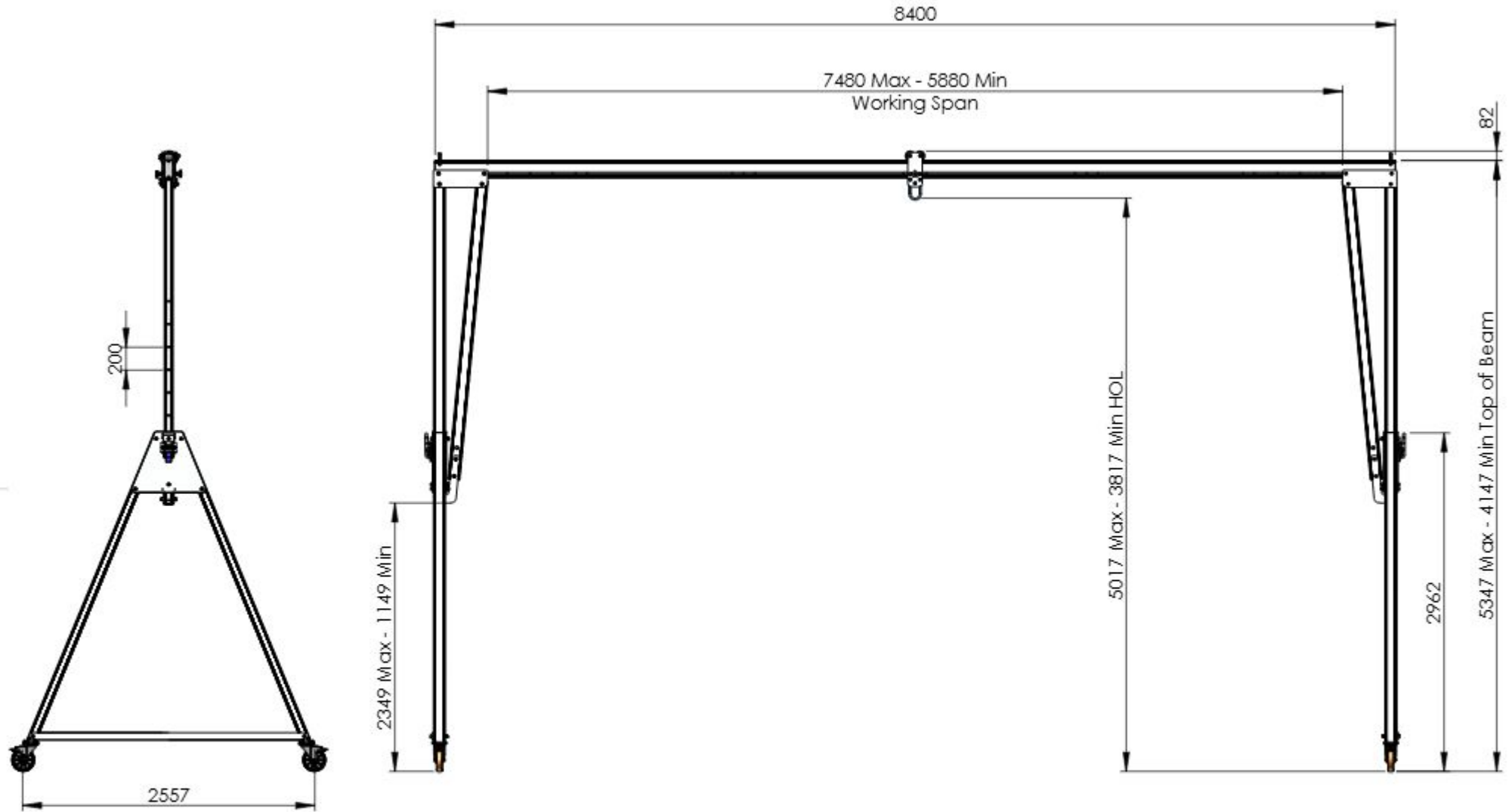
**PGSS00500TC3-6000A**

A4

Estimated Weight: 226kg

1:50

SHEET 2 OF 2



DO NOT SCALE DRAWING

REVISION

02



Reid Lifting Limited. Unit 1  
Wyeview, Newhouse Farm Ind. Est.,  
Chepstow, Monmouthshire.  
NP16 6UD, UK

Tel +44(0) 1291 620796  
Fax +44(0) 1291 626490

[www.reidlifting.com](http://www.reidlifting.com)

[enquiries@reidlifting.com](mailto:enquiries@reidlifting.com)

	NAME	DATE	FINISH:
DRAWN	SS	07/06/2021	Anodised
CHK'D			MATERIAL:
APPR'D	CM	10/03/2023	Aluminium Alloy
<small>ALL COPYRIGHT AND DESIGN RIGHT SUBSISTING IN THIS DOCUMENT IS THE PROPERTY OF REID LIFTING LIMITED AND MAY NOT BE REPRODUCED WITHOUT REID LIFTING'S CONSENT. THIS DOCUMENT AND THE INFORMATION CONTAINED WITHIN IT IS CONFIDENTIAL AND MAY NOT BE DISCLOSED TO ANY THIRD PARTY NOR USED FOR ANY UNAUTHORISED PURPOSE WITHOUT REID LIFTING'S CONSENT</small>			
<small>UNLESS OTHERWISE SPECIFIED: DIMENSIONS ARE IN MILLIMETERS</small>			



TITLE:

**General Arrangement of REID  
Lifting Porta-Gantry Size TC3 -  
8400mm Beam WLL500kg**

DWG NO.

**PGSS00500TC3-8400A**

A4

Estimated Weight: 243kg

1:50

SHEET 1 OF 2

## General Specification

- Maximum rated capacity for goods lifting - 500kg
- Maximum rated capacity for personnel lifting - 250kg
- Beam deflection at maximum rated capacity of 500kg - between 60-70mm at centre of span
- Maximum castor surface pressure at full load - 13.82 MPa
- Assembled gantry weight (excluding trollies) - 243kg
- All welding to BS EN ISO 15614-2: 2005 by certified welders.
- For further details and assembly information refer to Operations and Maintenance Manual for Porta Gantry Product. (available at [www.reidlifting.com](http://www.reidlifting.com))

## Fall Protection Standards

- Certified to EN795:2012 Type B & supplied under PPE Regulation 2016/425
- Notified Body Witness tested to the requirements of PD CEN/TS16415:2013 for 3 persons
- Exceeds the requirements of IRATA ICOP & BS7985 (15kN MBL)

## Materials & Finishes

- Frame and beam - 6082 T6 Aluminium alloy. Anodised.
- Castors - Steel. Bright Zinc Plated.
- Castor Wheels & Rollers - Aluminium & Polyurethane
- Fixings - Steel. Grade 12:9. Bright Zinc Plated.

Note: Master Link Trollies shown in system as a reference



Approved

DO NOT SCALE DRAWING

REVISION **02**



Reid Lifting Limited. Unit 1  
Wyeview, Newhouse Farm Ind. Est.,  
Chepstow, Monmouthshire.  
NP16 6UD, UK

Tel +44(0)1291 620796  
Fax: +44(0)1291 626490

[www.reidlifting.com](http://www.reidlifting.com)

[enquiries@reidlifting.com](mailto:enquiries@reidlifting.com)

	NAME	DATE
DRAWN	SS	07/06/2021
CHK'D		
APPR'D	CM	10/03/2023

UNLESS OTHERWISE SPECIFIED:  
DIMENSIONS ARE IN MILLIMETERS

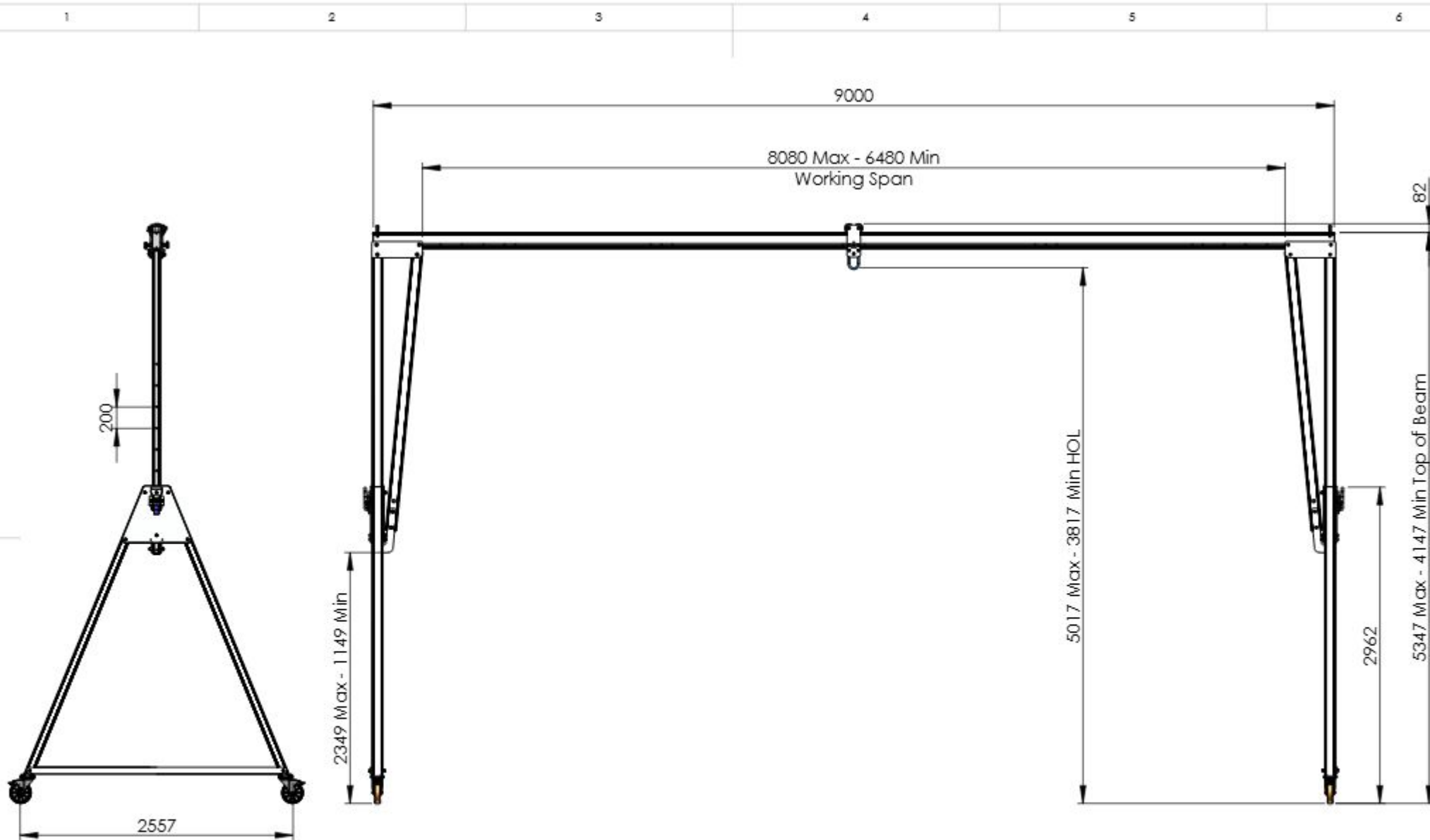
ALL COPYRIGHT AND DESIGN RIGHT SUBSISTING IN THIS DOCUMENT IS THE PROPERTY OF REID LIFTING LIMITED AND MAY NOT BE REPRODUCED WITHOUT REID LIFTING'S CONSENT. THIS DOCUMENT AND THE INFORMATION CONTAINED WITHIN IT IS CONFIDENTIAL AND MAY NOT BE DISCLOSED TO ANY THIRD PARTY NOR USED FOR ANY UNAUTHORIZED PURPOSE WITHOUT REID LIFTING'S CONSENT



TITLE: **General Arrangement of REID Lifting Porta-Gantry Size TC3 - 8400mm Beam WLL500kg**

DWG NO. **PGSS00500TC3-8400A** A4

Estimated Weight: 243kg 1:55 SHEET 2 OF 2



DO NOT SCALE DRAWING

REVISION **02**



Reid Lifting Limited. Unit 1  
Wyeview, Newhouse Farm Ind. Est.,  
Chepstow, Monmouthshire,  
NP16 6UD, UK

Tel +44(0) 1291 620796  
Fax +44(0) 1291 626490

[www.reidlifting.com](http://www.reidlifting.com)

[enquiries@reidlifting.com](mailto:enquiries@reidlifting.com)

	NAME	DATE	FINISH:
DRAWN	SS	07/06/2021	Anodised
CHK'D			MATERIAL:
APPR'D	CM	10/03/2023	Aluminium Alloy
<small>ALL COPYRIGHT AND DESIGN RIGHT SUBSISTING IN THIS DOCUMENT IS THE PROPERTY OF REID LIFTING LIMITED AND MAY NOT BE REPRODUCED WITHOUT REID LIFTING'S CONSENT. THIS DOCUMENT AND THE INFORMATION CONTAINED WITHIN IT IS CONFIDENTIAL AND MAY NOT BE DISCLOSED TO ANY THIRD PARTY NOR USED FOR ANY UNAUTHORISED PURPOSE WITHOUT REID LIFTING'S CONSENT</small>			
<small>UNLESS OTHERWISE SPECIFIED: DIMENSIONS ARE IN MILLIMETERS</small>			

TITLE:

**General Arrangement of REID  
Lifting Porta-Gantry Size TC3 -  
9000mm Beam WLL500kg**

DWG NO.

**PGSS00500TC3-9000A**

A4

Estimated Weight: 248kg

1:50

SHEET 1 OF 2

## General Specification

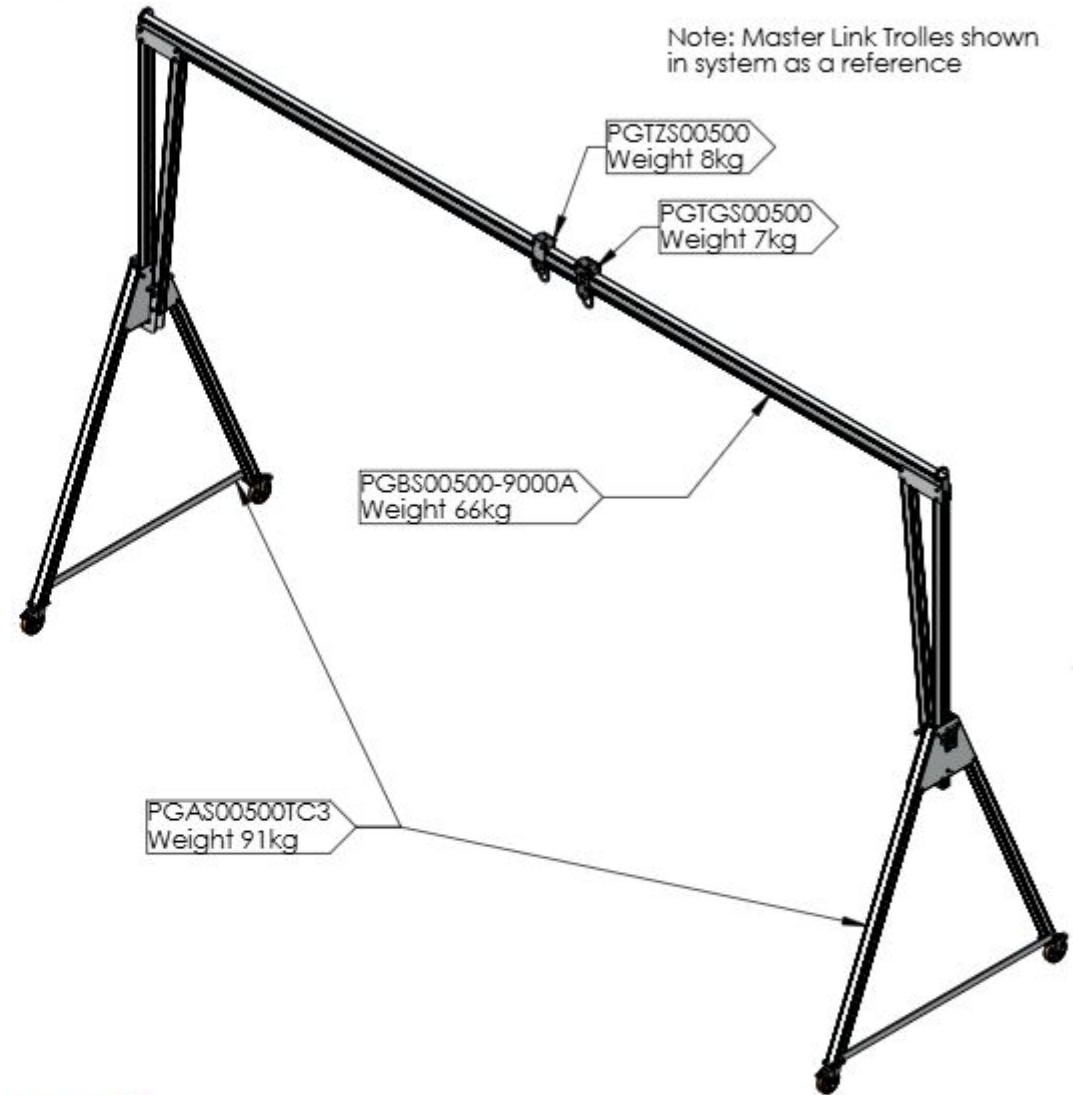
- Maximum rated capacity for goods lifting - 500kg
- Maximum rated capacity for personnel lifting - 250kg
- Beam deflection at maximum rated capacity of 500kg - between 80-90mm at centre of span
- Maximum castor surface pressure at full load - 13.87 MPa
- Assembled gantry weight (excluding trolleys) - 248kg
- All welding to BS EN ISO 15614-2: 2005 by certified welders.
- For further details and assembly information refer to Operations and Maintenance Manual for Porta Gantry Product. (available at [www.reidlifting.com](http://www.reidlifting.com))

## Fall Protection Standards

- Certified to EN795:2012 Type B & supplied under PPE Regulation 2016/425
- Notified Body Witness tested to the requirements of PD CEN/TS16415:2013 for 3 persons
- Exceeds the requirements of IRATA ICOP & BS7985 (15kN MBL)

## Materials & Finishes

- Frame and beam - 6082 T6 Aluminium alloy. Anodised.
- Castors - Steel. Bright Zinc Plated.
- Castor Wheels & Rollers - Aluminium & Polyurethane
- Fixings - Steel. Grade 12:9. Bright Zinc Plated.



Approved

DO NOT SCALE DRAWING

REVISION **02**



Reid Lifting Limited. Unit 1  
Wyeview, Newhouse Farm Ind. Est.,  
Chepstow, Monmouthshire.  
NP16 6UD, UK

Tel +44(0)1291 620796  
Fax: +44(0)1291 626490

[www.reidlifting.com](http://www.reidlifting.com)

[enquiries@reidlifting.com](mailto:enquiries@reidlifting.com)

	NAME	DATE
DRAWN	SS	07/06/2021
CHK'D		
APP'VD	CM	10/03/2023

UNLESS OTHERWISE SPECIFIED:  
DIMENSIONS ARE IN MILLIMETERS

ALL COPYRIGHT AND DESIGN RIGHT SUBSISTING IN THIS DOCUMENT IS THE PROPERTY OF REID LIFTING LIMITED AND MAY NOT BE REPRODUCED WITHOUT REID LIFTING'S CONSENT. THIS DOCUMENT AND THE INFORMATION CONTAINED WITHIN IT IS CONFIDENTIAL AND MAY NOT BE DISCLOSED TO ANY THIRD PARTY NOR USED FOR ANY UNAUTHORIZED PURPOSE WITHOUT REID LIFTING'S CONSENT



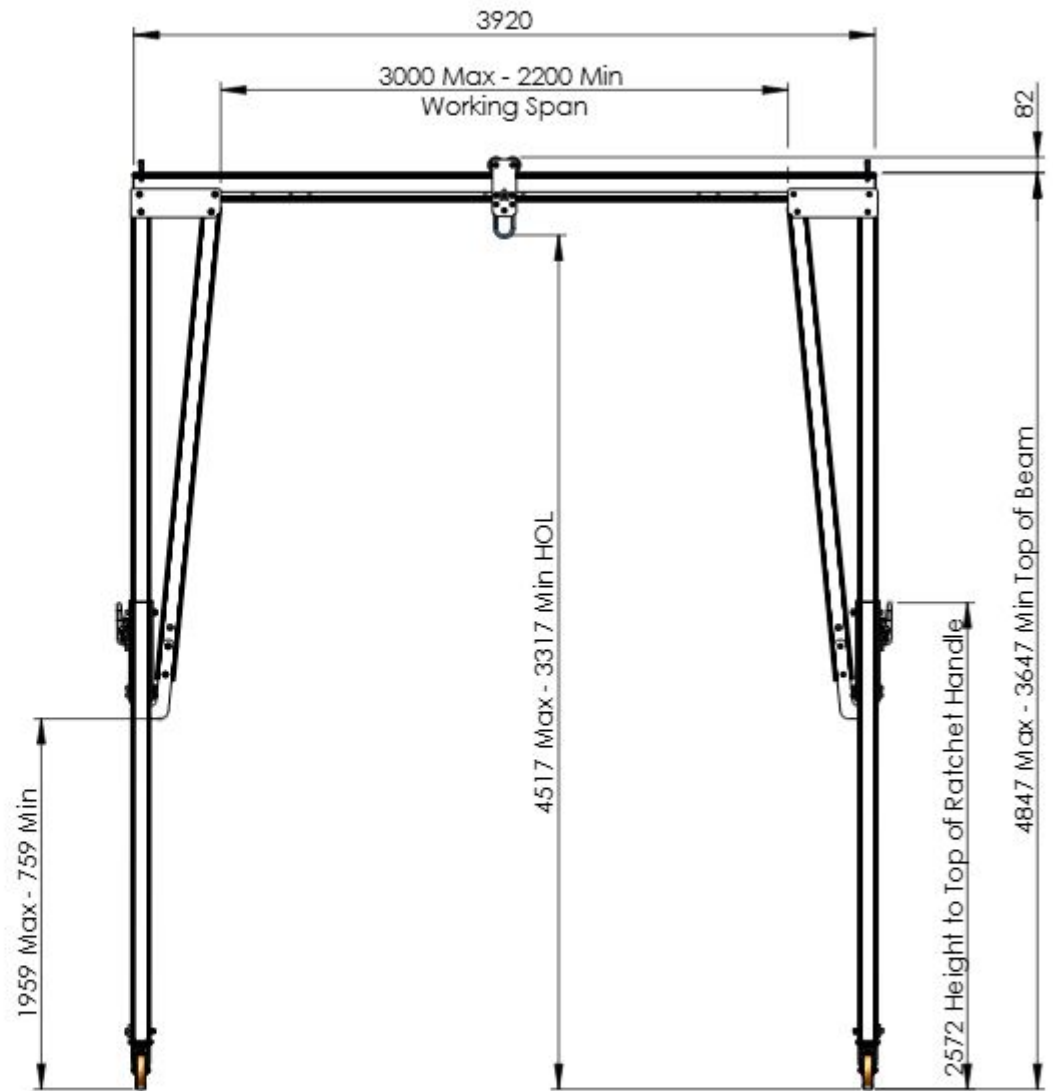
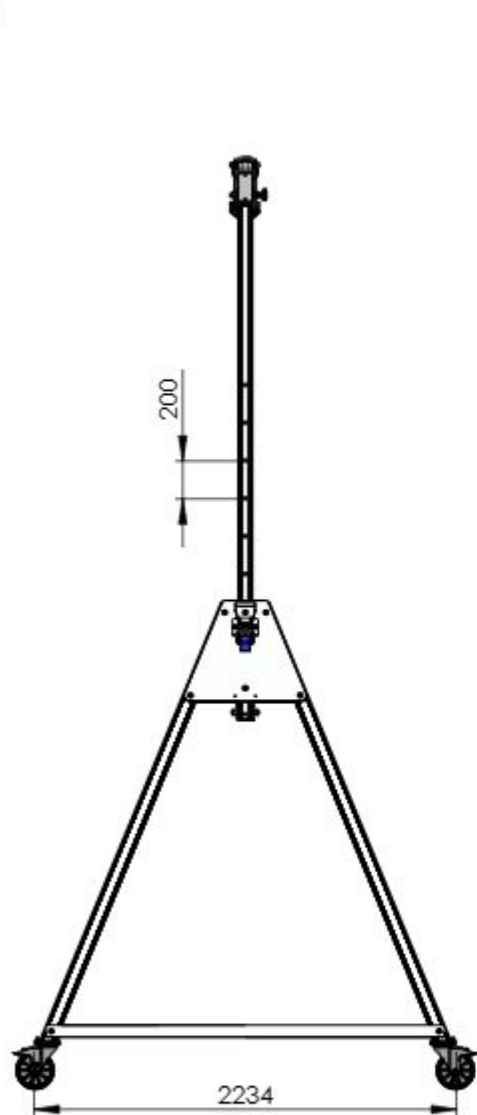
TITLE: **General Arrangement of REID Lifting Porta-Gantry Size TC3 - 9000mm Beam WLL500kg**

DWG NO. **PGSS00500TC3-9000A** A4

Estimated Weight: 248kg 1:60 SHEET 2 OF 2



To ensure stability of the structure, the working span of the beam must be equal to or greater than the distance between castors on the A-frame



DO NOT SCALE DRAWING

REVISION **03**



Reid Lifting Limited. Unit 1  
Wyeview, Newhouse Farm Ind. Est.,  
Chepstow, Monmouthshire.  
NP16 6UD, UK

Tel +44(0) 1291 620796  
Fax +44(0) 1291 626490

[www.reidlifting.com](http://www.reidlifting.com)

[enquiries@reidlifting.com](mailto:enquiries@reidlifting.com)

	NAME	DATE	FINISH:
DRAWN	BJ	10/03/2021	Anodised
CHK'D			MATERIAL:
APPR'D	CM	10/03/2023	Aluminium Alloy
<small>ALL COPYRIGHT AND DESIGN RIGHT SUBSISTING IN THIS DOCUMENT IS THE PROPERTY OF REID LIFTING LIMITED AND MAY NOT BE REPRODUCED WITHOUT REID LIFTING'S CONSENT. THIS DOCUMENT AND THE INFORMATION CONTAINED WITHIN IT IS CONFIDENTIAL AND MAY NOT BE DISCLOSED TO ANY THIRD PARTY NOR USED FOR ANY UNAUTHORISED PURPOSE WITHOUT REID LIFTING'S CONSENT</small>			
<small>UNLESS OTHERWISE SPECIFIED: DIMENSIONS ARE IN MILLIMETERS</small>			



TITLE: **General Arrangement of REID Lifting Porta-Gantry Size TC4 with 3920mm Beam WLL500kg**

DWG NO. **PGSS00500TC4-3920A**

A4

Estimated Weight: 201 kg

1:40

SHEET 1 OF 2

## General Specification

- Maximum rated capacity for goods lifting - 500kg
- Maximum rated capacity for personnel lifting - 250kg
- Beam deflection at maximum rated capacity of 500kg - 5-10 mm at centre of span
- Maximum castor surface pressure at full load - 13.35 MPa
- Assembled gantry weight (excluding trolleys) - 201kg
- All welding to BS EN ISO 15614-2: 2005 by certified welders.
- For further details and assembly information refer to Operations and Maintenance Manual for Porta Gantry Product. (available at [www.reidlifting.com](http://www.reidlifting.com))

## Fall Protection Standards

- Certified to EN795:2012 Type B & supplied under PPE Regulation 2016/425
- Notified Body Witness tested to the requirements of PD CEN/TS16415:2013 for 3 persons
- Exceeds the requirements of IRATA ICOP & BS7985 (15kN MBL)
- Tested to and meets the requirements of ANSI Z359.18.2017 for 2 persons.

## Materials & Finishes

- Frame and beam - 6082 T6 Aluminium alloy. Anodised.
- Castors - Steel. Bright Zinc Plated.
- Castor Wheels & Rollers - Aluminium & Polyurethane
- Fixings - Steel. Grade 12.9. Bright Zinc Plated.

Note: Master Link Trolleys shown in system as a reference



Approved

DO NOT SCALE DRAWING

REVISION **03**

**REID**  
**LIFTING**

[www.reidlifting.com](http://www.reidlifting.com)

Reid Lifting Limited. Unit 1  
Wyeview, Newhouse Farm Ind. Est.,  
Chepstow, Monmouthshire.  
NP16 6UD, UK

Tel +44(0)1291 620796  
Fax: +44(0)1291 626490

[enquiries@reidlifting.com](mailto:enquiries@reidlifting.com)

	NAME	DATE
DRAWN	BJ	10/03/2021
CHK'D		
APPR'D	CM	10/03/2023

UNLESS OTHERWISE SPECIFIED:  
DIMENSIONS ARE IN MILLIMETERS

ALL COPYRIGHT AND DESIGN RIGHT SUBSISTING IN THIS DOCUMENT IS THE PROPERTY OF REID LIFTING LIMITED AND MAY NOT BE REPRODUCED WITHOUT REID LIFTING'S CONSENT. THIS DOCUMENT AND THE INFORMATION CONTAINED WITHIN IT IS CONFIDENTIAL AND MAY NOT BE DISCLOSED TO ANY THIRD PARTY NOR USED FOR ANY UNAUTHORIZED PURPOSE WITHOUT REID LIFTING'S CONSENT



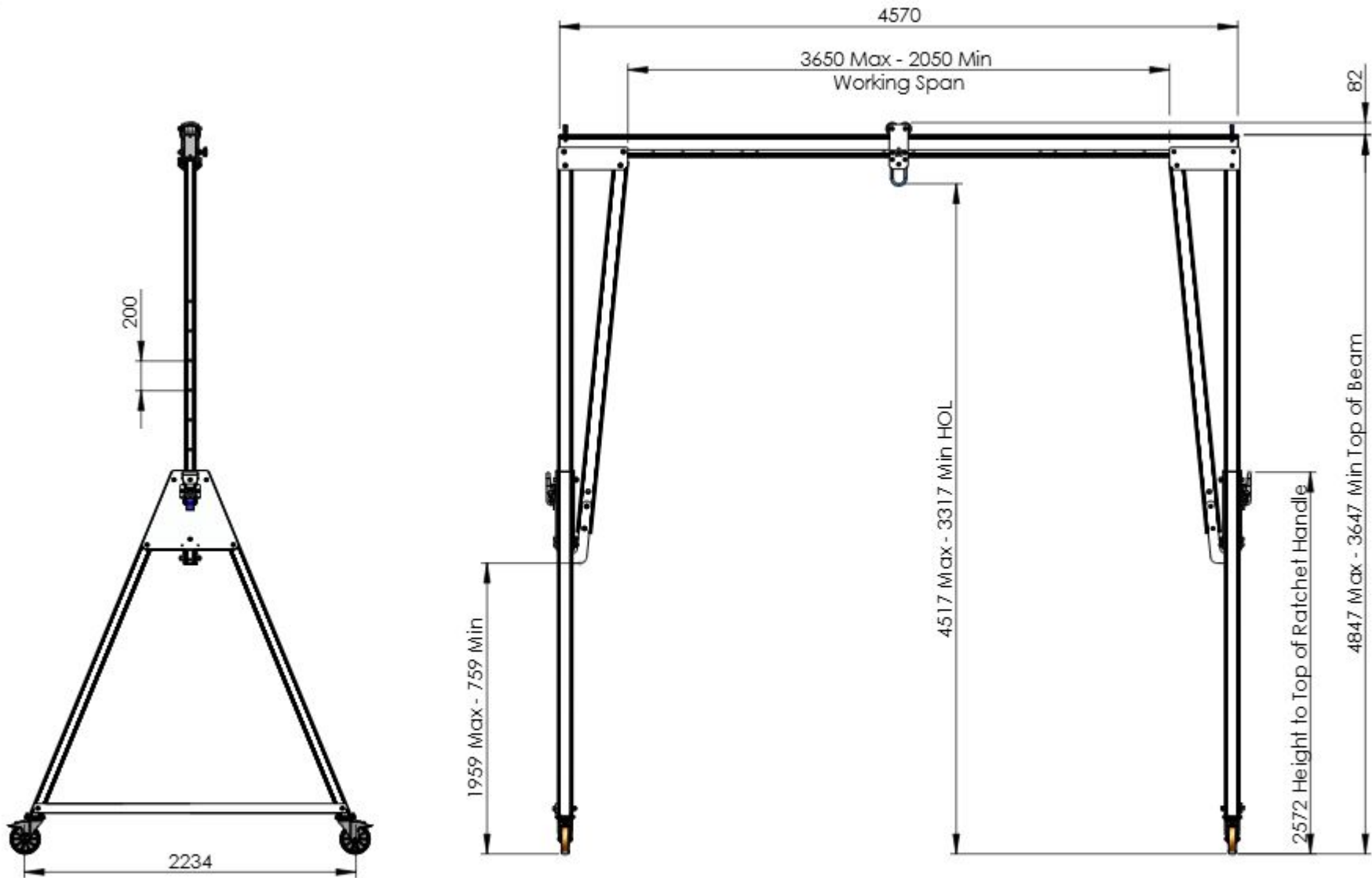
TITLE: **General Arrangement of REID Lifting Porta-Gantry Size TC4 with 3920mm Beam WLL500kg**

DWG NO. **PGSS00500TC4-3920A** **A4**

Estimated Weight: 201 kg 1:45 SHEET 2 OF 2



To ensure stability of the structure, the working span of the beam must be equal to or greater than the distance between the castors on the A-frame



DO NOT SCALE DRAWING

REVISION **02**



Reid Lifting Limited. Unit 1  
Wyeview, Newhouse Farm Ind. Est.,  
Chepstow, Monmouthshire.  
NP16 6UD, UK

Tel +44(0) 1291 620796  
Fax +44(0) 1291 626490

[www.reidlifting.com](http://www.reidlifting.com)

[enquiries@reidlifting.com](mailto:enquiries@reidlifting.com)

	NAME	DATE	FINISH:
DRAWN	TB	21/05/2021	Anodised
CHK'D			MATERIAL:
APPR'VD	CM	10/03/2023	Aluminium Alloy
<small>ALL COPYRIGHT AND DESIGN RIGHT SUBSISTING IN THIS DOCUMENT IS THE PROPERTY OF REID LIFTING LIMITED AND MAY NOT BE REPRODUCED WITHOUT REID LIFTING'S CONSENT. THIS DOCUMENT AND THE INFORMATION CONTAINED WITHIN IT IS CONFIDENTIAL AND MAY NOT BE DISCLOSED TO ANY THIRD PARTY NOR USED FOR ANY UNAUTHORISED PURPOSE WITHOUT REID LIFTING'S CONSENT</small>			
<small>UNLESS OTHERWISE SPECIFIED: DIMENSIONS ARE IN MILLIMETERS</small>			



TITLE: **General Arrangement of REID Lifting Porta-Gantry Size TC4 with 4570mm Beam WLL500kg**

DWG NO. **PGSS00500TC4-4570A**

A4

Estimated Weight: 205 kg

1:40

SHEET 1 OF 2

## General Specification

- Maximum rated capacity for goods lifting - 500kg
- Maximum rated capacity for personnel lifting - 250kg
- Beam deflection at maximum rated capacity of 500kg - 10-15 mm at centre of span
- Maximum castor surface pressure at full load - 13.4 MPa
- Assembled gantry weight (excluding trollies) - 205kg
- All welding to BS EN ISO 15614-2: 2005 by certified welders.
- For further details and assembly information refer to Operations and Maintenance Manual for Porta Gantry Product. (available at [www.reidlifting.com](http://www.reidlifting.com))

## Fall Protection Standards

- Certified to EN795:2012 Type B & supplied under PPE Regulation 2016/425
- Notified Body Witness tested to the requirements of PD CEN/TS16415:2013 for 3 persons
- Exceeds the requirements of IRATA ICOP & BS7985 (15kN MBL)
- Tested to and meets the requirements of ANSI Z359.18.2017 for 2 persons.

## Materials & Finishes

- Frame and beam - 6082 T6 Aluminium alloy. Anodised.
- Castors - Steel. Bright Zinc Plated.
- Castor Wheels & Rollers - Aluminium & Polyurethane
- Fixings - Steel. Grade 12.9. Bright Zinc Plated.

Note: Master Link Trolleys shown in system as a reference



Approved

DO NOT SCALE DRAWING

REVISION **02**



Reid Lifting Limited. Unit 1  
Wyeview, Newhouse Farm Ind. Est.,  
Chepstow, Monmouthshire.  
NP16 6UD, UK

Tel +44(0)1291 620796  
Fax: +44(0)1291 626490

[www.reidlifting.com](http://www.reidlifting.com)

[enquiries@reidlifting.com](mailto:enquiries@reidlifting.com)

	NAME	DATE
DRAWN	TB	21/05/2021
CHK'D		
APPR'D	CM	10/03/2023

UNLESS OTHERWISE SPECIFIED:  
DIMENSIONS ARE IN MILLIMETERS

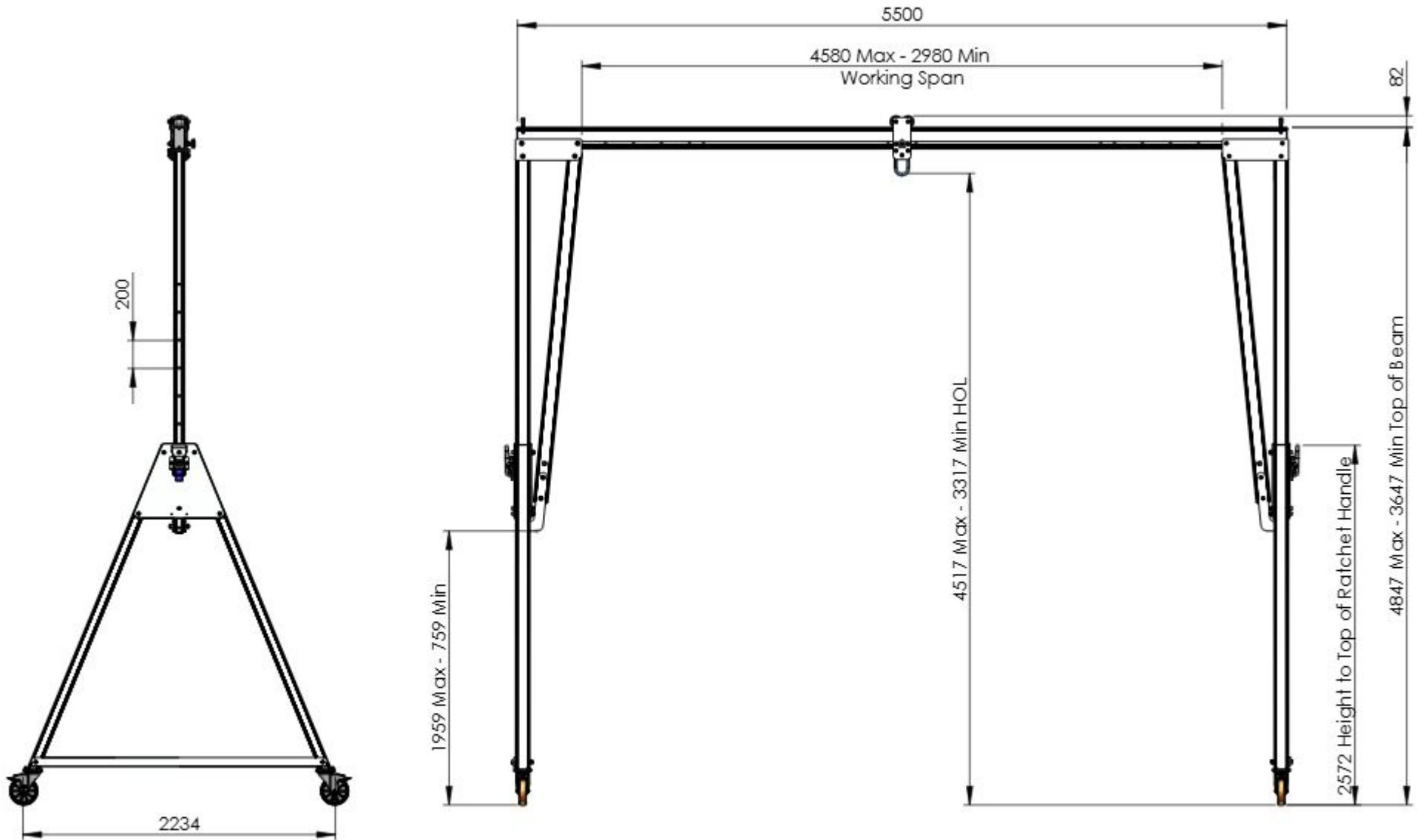
ALL COPYRIGHT AND DESIGN RIGHT SUBSISTING IN THIS DOCUMENT IS THE PROPERTY OF REID LIFTING LIMITED AND MAY NOT BE REPRODUCED WITHOUT REID LIFTING'S CONSENT. THIS DOCUMENT AND THE INFORMATION CONTAINED WITHIN IT IS CONFIDENTIAL AND MAY NOT BE DISCLOSED TO ANY THIRD PARTY NOR USED FOR ANY UNAUTHORIZED PURPOSE WITHOUT REID LIFTING'S CONSENT



TITLE: **General Arrangement of REID Lifting Porta-Gantry Size TC4 with 4570mm Beam WLL500kg**

DWG NO. **PGSS00500TC4-4570A** A4

Estimated Weight: 205 kg 1:45 SHEET 2 OF 2



DO NOT SCALE DRAWING

REVISION **02**



Reid Lifting Limited. Unit 1  
Wyeview, Newhouse Farm Ind. Est.,  
Chepstow, Monmouthshire.  
NP16 6UD, UK

Tel +44(0) 1291 620796  
Fax +44(0) 1291 626490

[www.reidlifting.com](http://www.reidlifting.com)

[enquiries@reidlifting.com](mailto:enquiries@reidlifting.com)

	NAME	DATE	FINISH:
DRAWN	TB	21/05/2021	Anodised
CHK'D			MATERIAL:
APP'VD	CM	10/03/2023	Aluminium Alloy
<small>ALL COPYRIGHT AND DESIGN RIGHT SUBSISTING IN THIS DOCUMENT IS THE PROPERTY OF REID LIFTING LIMITED AND MAY NOT BE REPRODUCED WITHOUT REID LIFTING'S CONSENT. THIS DOCUMENT AND THE INFORMATION CONTAINED WITHIN IT IS CONFIDENTIAL AND MAY NOT BE DISCLOSED TO ANY THIRD PARTY NOR USED FOR ANY UNAUTHORISED PURPOSE WITHOUT REID LIFTING'S CONSENT</small>			
<small>UNLESS OTHERWISE SPECIFIED: DIMENSIONS ARE IN MILLIMETERS</small>			



TITLE: **General Arrangement of REID Lifting Porta-Gantry Size TC4 with 5500mm Beam WLL500kg**

DWG NO. **PGSS00500TC4-5500A**

A4

Estimated Weight: 212 kg

1:40

SHEET 1 OF 2

## General Specification

- Maximum rated capacity for goods lifting - 500kg
- Maximum rated capacity for personnel lifting - 250kg
- Beam deflection at maximum rated capacity of 500kg - 20-30 mm at centre of span
- Maximum castor surface pressure at full load - 13.48 MPa
- Assembled gantry weight (excluding trolleys) - 212kg
- All welding to BS EN ISO 15614-2: 2005 by certified welders.
- For further details and assembly information refer to Operations and Maintenance Manual for Porta Gantry Product. (available at [www.reidlifting.com](http://www.reidlifting.com))

## Fall Protection Standards

- Certified to EN795:2012 Type B & supplied under PPE Regulation 2016/425
- Notified Body Witness tested to the requirements of PD CEN/TS16415:2013 for 3 persons
- Exceeds the requirements of IRATA ICOP & BS7985 (15kN MBL)

## Materials & Finishes

- Frame and beam - 6082 T6 Aluminium alloy. Anodised.
- Castors - Steel. Bright Zinc Plated.
- Castor Wheels & Rollers - Aluminium & Polyurethane
- Fixings - Steel. Grade 12:9. Bright Zinc Plated.

Note: Master Link Trolleys shown in system as a reference



Approved

DO NOT SCALE DRAWING

REVISION **02**

**REID**  
**LIFTING**

[www.reidlifting.com](http://www.reidlifting.com)

Reid Lifting Limited. Unit 1  
Wyeview, Newhouse Farm Ind. Est.,  
Chepstow, Monmouthshire.  
NP16 6UD, UK

Tel +44(0)1291 620796  
Fax: +44(0)1291 626490

[enquiries@reidlifting.com](mailto:enquiries@reidlifting.com)

	NAME	DATE
DRAWN	TB	21/05/2021
CHK'D		
APPR'D	CM	10/03/2023

UNLESS OTHERWISE SPECIFIED:  
DIMENSIONS ARE IN MILLIMETERS

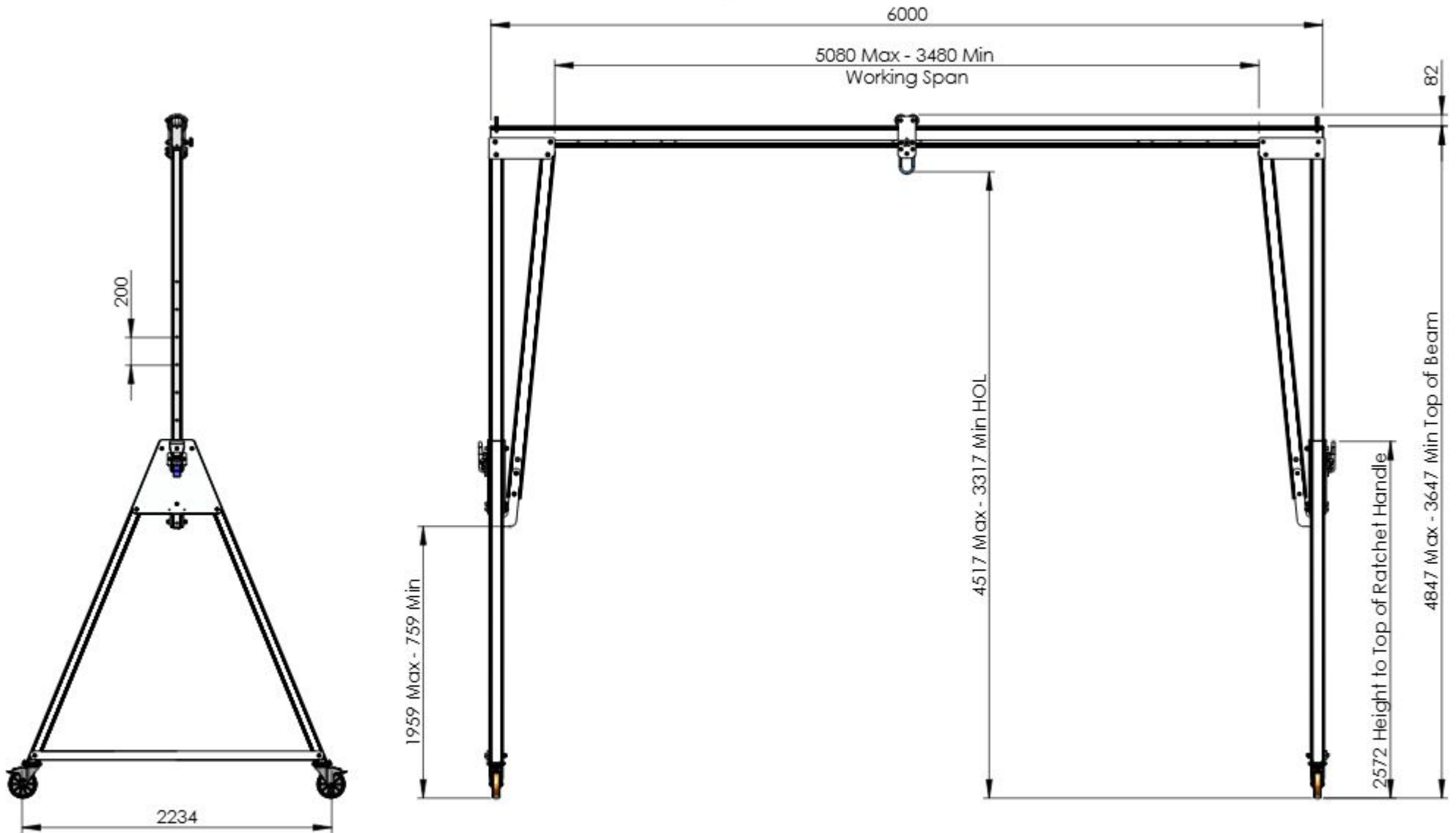
ALL COPYRIGHT AND DESIGN RIGHT SUBSISTING IN THIS DOCUMENT IS THE PROPERTY OF REID LIFTING LIMITED AND MAY NOT BE REPRODUCED WITHOUT REID LIFTING'S CONSENT. THIS DOCUMENT AND THE INFORMATION CONTAINED WITHIN IT IS CONFIDENTIAL AND MAY NOT BE DISCLOSED TO ANY THIRD PARTY NOR USED FOR ANY UNAUTHORIZED PURPOSE WITHOUT REID LIFTING'S CONSENT



TITLE: **General Arrangement of REID Lifting Porta-Gantry Size TC4 with 5500mm Beam WLL500kg**

DWG NO. **PGSS00500TC4-5500A** **A4**

Estimated Weight: 212 kg 1:45 SHEET 2 OF 2



DO NOT SCALE DRAWING

REVISION **02**



Reid Lifting Limited. Unit 1  
Wyeview, Newhouse Farm Ind. Est.,  
Chepstow, Monmouthshire.  
NP16 6UD, UK

Tel +44(0) 1291 620796  
Fax +44(0) 1291 626490

[www.reidlifting.com](http://www.reidlifting.com)

[enquiries@reidlifting.com](mailto:enquiries@reidlifting.com)

	NAME	DATE	FINISH:
DRAWN	TB	21/05/2021	Anodised
CHK'D			MATERIAL:
APP'VD	CM	10/03/2023	Aluminium Alloy
<small>ALL COPYRIGHT AND DESIGN RIGHT SUBSISTING IN THIS DOCUMENT IS THE PROPERTY OF REID LIFTING LIMITED AND MAY NOT BE REPRODUCED WITHOUT REID LIFTING'S CONSENT. THIS DOCUMENT AND THE INFORMATION CONTAINED WITHIN IT IS CONFIDENTIAL AND MAY NOT BE DISCLOSED TO ANY THIRD PARTY NOR USED FOR ANY UNAUTHORISED PURPOSE WITHOUT REID LIFTING'S CONSENT</small>			
<small>UNLESS OTHERWISE SPECIFIED: DIMENSIONS ARE IN MILLIMETERS</small>			



TITLE: **General Arrangement of REID Lifting Porta-Gantry Size TC4 with 6000mm Beam WLL500kg**

DWG NO. **PGSS00500TC4-6000A**

A4

Estimated Weight: 216 kg

1:40

SHEET 1 OF 2

## General Specification

- Maximum rated capacity for goods lifting - 500kg
- Maximum rated capacity for personnel lifting - 250kg
- Beam deflection at maximum rated capacity of 500kg - 25-35 mm at centre of span
- Maximum castor surface pressure at full load - 13.52 MPa
- Assembled gantry weight (excluding trollies) - 216kg
- All welding to BS EN ISO 15614-2: 2005 by certified welders.
- For further details and assembly information refer to Operations and Maintenance Manual for Porta Gantry Product. (available at [www.reidlifting.com](http://www.reidlifting.com))

## Fall Protection Standards

- Certified to EN795:2012 Type B & supplied under PPE Regulation 2016/425
- Notified Body Witness tested to the requirements of PD CEN/TS16415:2013 for 3 persons
- Exceeds the requirements of IRATA ICOP & BS7985 (15kN MBL)

## Materials & Finishes

- Frame and beam - 6082 T6 Aluminium alloy. Anodised.
- Castors - Steel. Bright Zinc Plated.
- Castor Wheels & Rollers - Aluminium & Polyurethane
- Fixings - Steel. Grade 12:9. Bright Zinc Plated.

Note: Master Link Trolleys shown in system as a reference



Approved

DO NOT SCALE DRAWING

REVISION **02**

**REID**  
**LIFTING**

[www.reidlifting.com](http://www.reidlifting.com)

Reid Lifting Limited. Unit 1  
Wyeview, Newhouse Farm Ind. Est.,  
Chepstow, Monmouthshire.  
NP16 6UD, UK

Tel +44(0)1291 620796  
Fax: +44(0)1291 626490

[enquiries@reidlifting.com](mailto:enquiries@reidlifting.com)

	NAME	DATE
DRAWN	TB	21/05/2021
CHK'D		
APPR'D	CM	10/03/2023

UNLESS OTHERWISE SPECIFIED:  
DIMENSIONS ARE IN MILLIMETERS

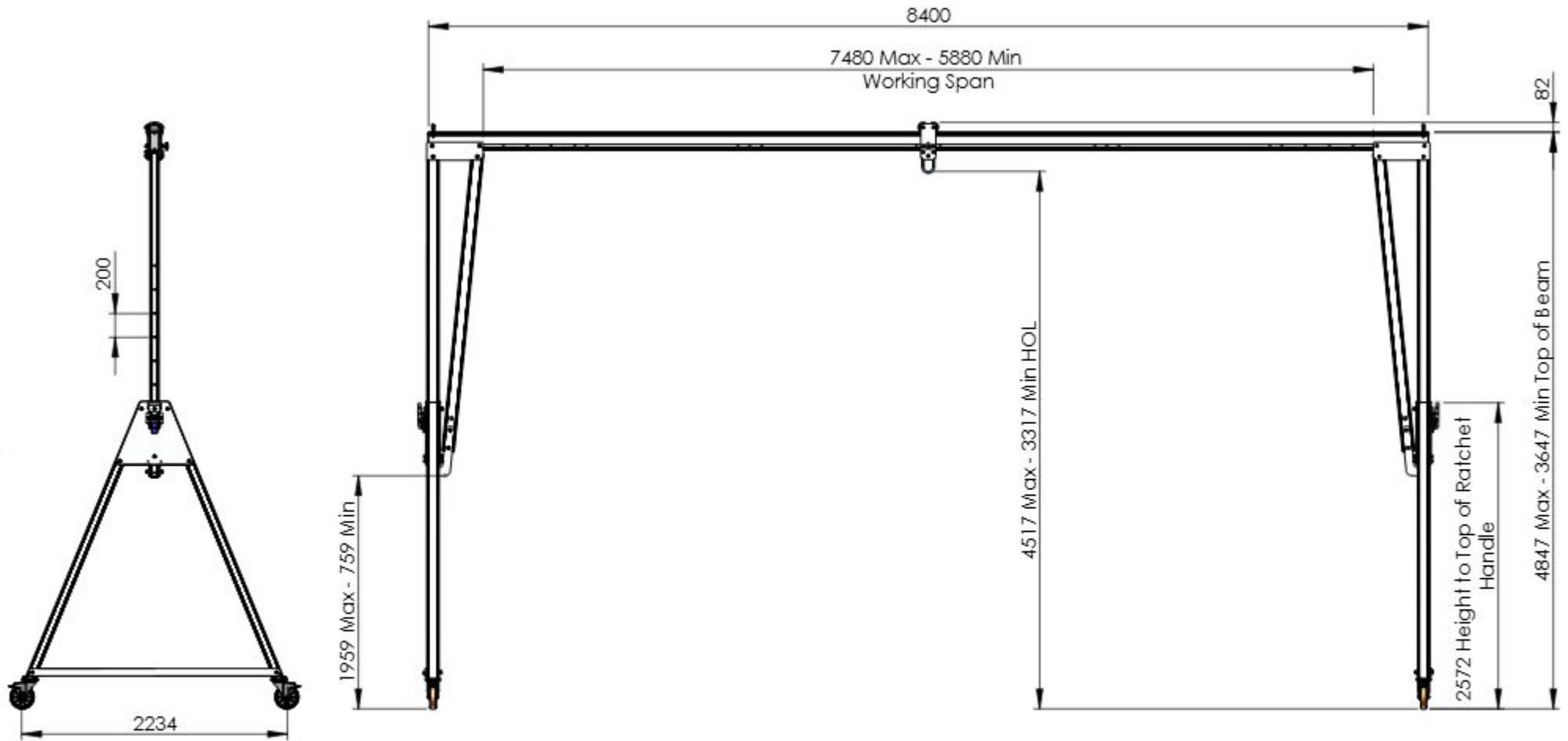
ALL COPYRIGHT AND DESIGN RIGHT SUBSISTING IN THIS DOCUMENT IS THE PROPERTY OF REID LIFTING LIMITED AND MAY NOT BE REPRODUCED WITHOUT REID LIFTING'S CONSENT. THIS DOCUMENT AND THE INFORMATION CONTAINED WITHIN IT IS CONFIDENTIAL AND MAY NOT BE DISCLOSED TO ANY THIRD PARTY NOR USED FOR ANY UNAUTHORISED PURPOSE WITHOUT REID LIFTING'S CONSENT



TITLE: **General Arrangement of REID Lifting Porta-Gantry Size TC4 with 6000mm Beam WLL500kg**

DWG NO. **PGSS00500TC4-6000A** **A4**

Estimated Weight: 216 kg 1:45 SHEET 2 OF 2



DO NOT SCALE DRAWING

REVISION

02



Reid Lifting Limited. Unit 1  
Wyeview, Newhouse Farm Ind. Est.,  
Chepstow, Monmouthshire.  
NP16 6UD, UK

Tel +44(0) 1291 620796  
Fax +44(0) 1291 626490

[www.reidlifting.com](http://www.reidlifting.com)

[enquiries@reidlifting.com](mailto:enquiries@reidlifting.com)

	NAME	DATE	FINISH:
DRAWN	TB	21/05/2021	Anodised
CHK'D			MATERIAL:
APPR'D	CM	10/03/2023	Aluminium Alloy
<small>ALL COPYRIGHT AND DESIGN RIGHT SUBSISTING IN THIS DOCUMENT IS THE PROPERTY OF REID LIFTING LIMITED AND MAY NOT BE REPRODUCED WITHOUT REID LIFTING'S CONSENT. THIS DOCUMENT AND THE INFORMATION CONTAINED WITHIN IT IS CONFIDENTIAL AND MAY NOT BE DISCLOSED TO ANY THIRD PARTY NOR USED FOR ANY UNAUTHORISED PURPOSE WITHOUT REID LIFTING'S CONSENT.</small>			
<small>UNLESS OTHERWISE SPECIFIED: DIMENSIONS ARE IN MILLIMETERS</small>			

TITLE:

**General Arrangement of REID  
Lifting Porta-Gantry Size TC4 with  
8400mm Beam WLL500kg**

DWG NO.

**PGSS00500TC4-8400A**

A4

Estimated Weight: 233 kg

1:50

SHEET 1 OF 2

## General Specification

- Maximum rated capacity for goods lifting - 500kg
- Maximum rated capacity for personnel lifting - 250kg
- Beam deflection at maximum rated capacity of 500kg - 60-70 mm at centre of span
- Maximum castor surface pressure at full load - 13.71MPa
- Assembled gantry weight (excluding trollies) - 233kg
- All welding to BS EN ISO 15614-2: 2005 by certified welders.
- For further details and assembly information refer to Operations and Maintenance Manual for Porta Gantry Product. (available at [www.reidlifting.com](http://www.reidlifting.com))

## Fall Protection Standards

- Certified to EN795:2012 Type B & supplied under PPE Regulation 2016/425
- Notified Body Witness tested to the requirements of PD CEN/TS16415:2013 for 3 persons
- Exceeds the requirements of IRATA ICOP & BS7985 (15kN MBL)

## Materials & Finishes

- Frame and beam - 6082 T6 Aluminium alloy. Anodised.
- Castors - Steel. Bright Zinc Plated.
- Castor Wheels & Rollers - Aluminium & Polyurethane
- Fixings - Steel. Grade 12:9. Bright Zinc Plated.

Note: Master Link Trolleys shown in system as a reference



Approved

DO NOT SCALE DRAWING

REVISION **02**

**REID**  
**LIFTING**

[www.reidlifting.com](http://www.reidlifting.com)

Reid Lifting Limited. Unit 1  
Wyeview, Newhouse Farm Ind. Est.,  
Chepstow, Monmouthshire.  
NP16 6UD, UK

Tel +44(0)1291 620796  
Fax: +44(0)1291 626490

[enquiries@reidlifting.com](mailto:enquiries@reidlifting.com)

	NAME	DATE
DRAWN	TB	21/05/2021
CHK'D		
APP'VD	CM	10/03/2023

UNLESS OTHERWISE SPECIFIED:  
DIMENSIONS ARE IN MILLIMETERS

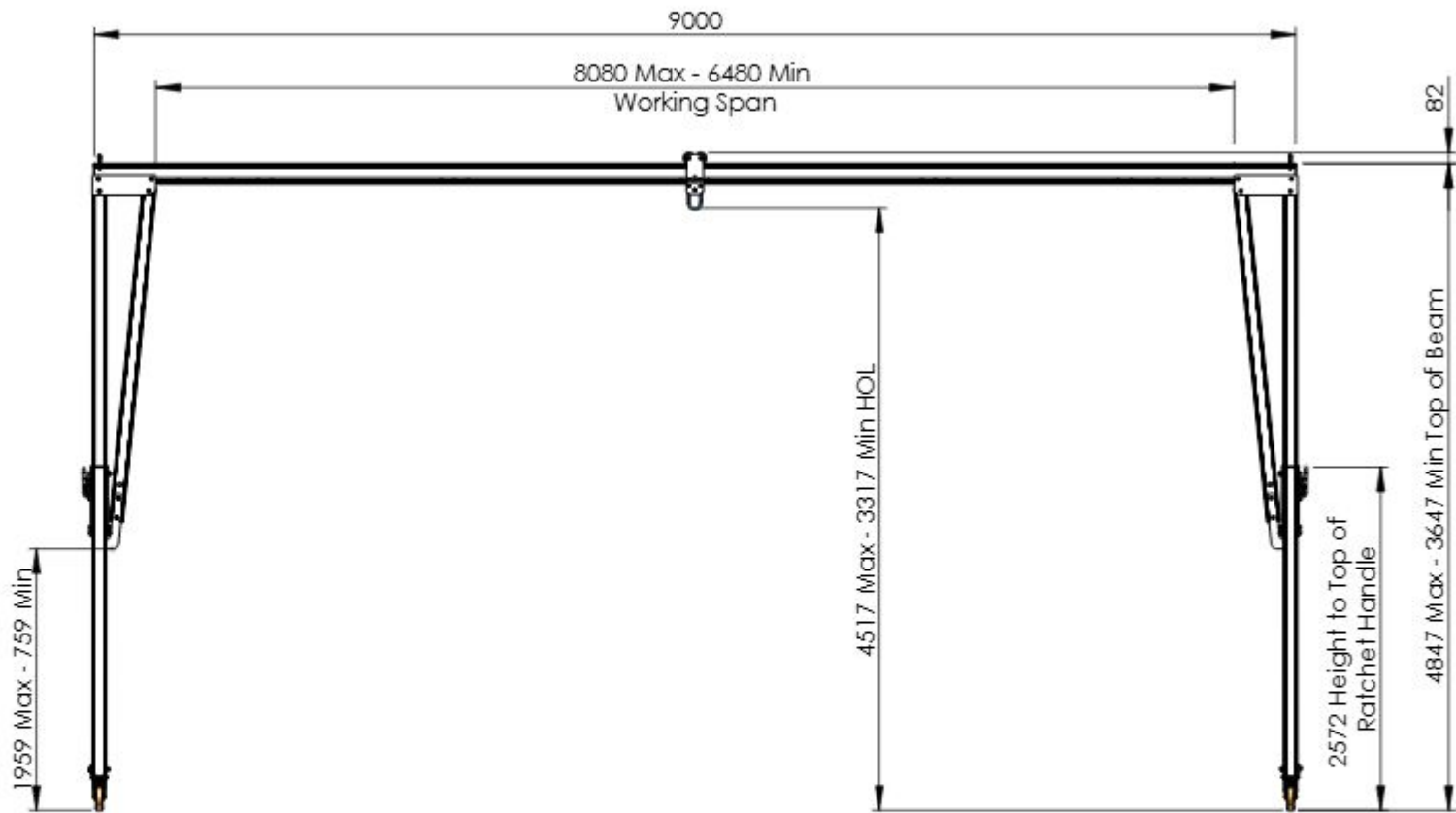
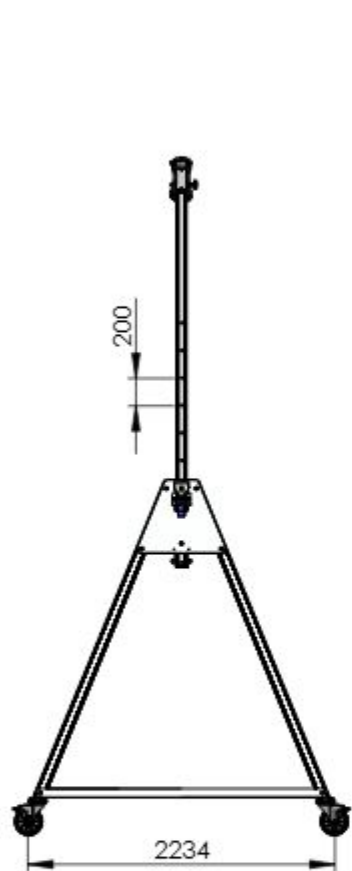
ALL COPYRIGHT AND DESIGN RIGHT SUBSISTING IN THIS DOCUMENT IS THE PROPERTY OF REID LIFTING LIMITED AND MAY NOT BE REPRODUCED WITHOUT REID LIFTING'S CONSENT. THIS DOCUMENT AND THE INFORMATION CONTAINED WITHIN IT IS CONFIDENTIAL AND MAY NOT BE DISCLOSED TO ANY THIRD PARTY NOR USED FOR ANY UNAUTHORIZED PURPOSE WITHOUT REID LIFTING'S CONSENT



TITLE: **General Arrangement of REID Lifting Porta-Gantry Size TC4 with 8400mm Beam WLL500kg**

DWG NO. **PGSS00500TC4-8400A** **A4**

Estimated Weight: 233 kg 1:55 SHEET 2 OF 2



DO NOT SCALE DRAWING

REVISION **02**



Reid Lifting Limited. Unit 1  
Wyeview, Newhouse Farm Ind. Est.,  
Chepstow, Monmouthshire.  
NP16 6UD, UK

Tel +44(0) 1291 620796  
Fax +44(0) 1291 626490

[www.reidlifting.com](http://www.reidlifting.com)

[enquiries@reidlifting.com](mailto:enquiries@reidlifting.com)

	NAME	DATE	FINISH:
DRAWN	TB	21/05/2021	Anodised
CHK'D			MATERIAL:
APPR'D	CM	10/03/2023	Aluminium Alloy
<small>ALL COPYRIGHT AND DESIGN RIGHT SUBSISTING IN THIS DOCUMENT IS THE PROPERTY OF REID LIFTING LIMITED AND MAY NOT BE REPRODUCED WITHOUT REID LIFTING'S CONSENT. THIS DOCUMENT AND THE INFORMATION CONTAINED WITHIN IT IS CONFIDENTIAL AND MAY NOT BE DISCLOSED TO ANY THIRD PARTY NOR USED FOR ANY UNAUTHORISED PURPOSE WITHOUT REID LIFTING'S CONSENT</small>			
<small>UNLESS OTHERWISE SPECIFIED: DIMENSIONS ARE IN MILLIMETERS</small>			



TITLE: **General Arrangement of REID Lifting Porta-Gantry Size TC4 with 9000mm Beam WLL500kg**

DWG NO. **PGSS00500TC4-9000A**

A4

Estimated Weight: 238 kg

1:55

SHEET 1 OF 2

## General Specification

- Maximum rated capacity for goods lifting - 500kg
- Maximum rated capacity for personnel lifting - 250kg
- Beam deflection at maximum rated capacity of 500kg - 80-90 mm at centre of span
- Maximum castor surface pressure at full load - 13.76MPa
- Assembled gantry weight (excluding trollies) - 238kg
- All welding to BS EN ISO 15614-2: 2005 by certified welders.
- For further details and assembly information refer to Operations and Maintenance Manual for Porta Gantry Product. (available at [www.reidlifting.com](http://www.reidlifting.com))

## Fall Protection Standards

- Certified to EN795:2012 Type B & supplied under PPE Regulation 2016/425
- Notified Body Witness tested to the requirements of PD CEN/TS16415:2013 for 3 persons
- Exceeds the requirements of IRATA ICOP & BS7985 (15kN MBL)

## Materials & Finishes

- Frame and beam - 6082 T6 Aluminium alloy. Anodised.
- Castors - Steel. Bright Zinc Plated.
- Castor Wheels & Rollers - Aluminium & Polyurethane
- Fixings - Steel. Grade 12:9. Bright Zinc Plated.

Note: Master Link Trolleys shown in system as a reference



Approved

DO NOT SCALE DRAWING

REVISION **02**



Reid Lifting Limited. Unit 1  
Wyeview, Newhouse Farm Ind. Est.,  
Chepstow, Monmouthshire.  
NP16 6UD, UK

Tel +44(0)1291 620796  
Fax: +44(0)1291 626490

[www.reidlifting.com](http://www.reidlifting.com)

[enquiries@reidlifting.com](mailto:enquiries@reidlifting.com)

	NAME	DATE
DRAWN	TB	21/05/2021
CHK'D		
APP'VD	CM	10/03/2023

UNLESS OTHERWISE SPECIFIED:  
DIMENSIONS ARE IN MILLIMETERS

ALL COPYRIGHT AND DESIGN RIGHT SUBSISTING IN THIS DOCUMENT IS THE PROPERTY OF REID LIFTING LIMITED AND MAY NOT BE REPRODUCED WITHOUT REID LIFTING'S CONSENT. THIS DOCUMENT AND THE INFORMATION CONTAINED WITHIN IT IS CONFIDENTIAL AND MAY NOT BE DISCLOSED TO ANY THIRD PARTY NOR USED FOR ANY UNAUTHORIZED PURPOSE WITHOUT REID LIFTING'S CONSENT



TITLE: **General Arrangement of REID Lifting Porta-Gantry Size TC4 with 9000mm Beam WLL500kg**

DWG NO. **PGSS00500TC4-9000A** A4

Estimated Weight: 238 kg 1:55 SHEET 2 OF 2