



TECHNICAL DATASHEETS

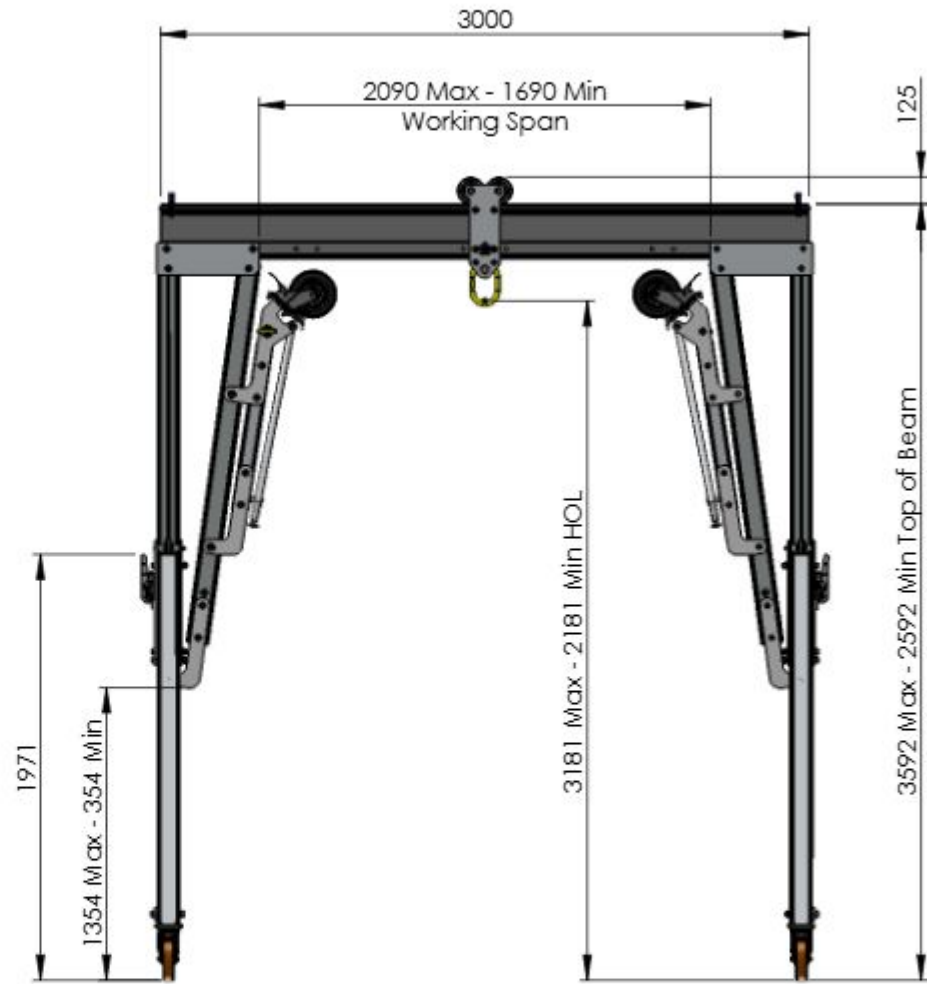
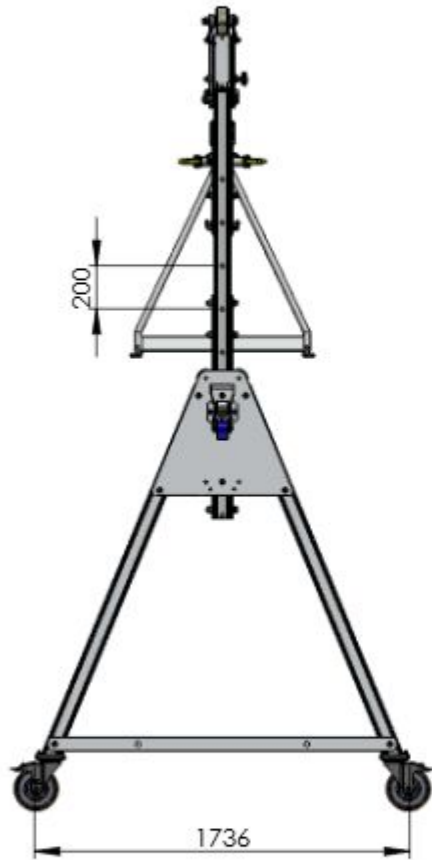
PORTAGANTRY[®]

5000kg

REIDLIFTING.COM



To ensure the stability of the structure, the working span of the beam must be equal to or greater than the distance between castors on the A-frame



DO NOT SCALE DRAWING

REVISION **01**



Reid Lifting Limited, Unit 1, Wyeview,
Newhouse Farm, Ind Est, Chepstow,
Monmouth, NP16 6UD, UK

Tel +44(0) 1291 620796
Fax +44(0) 1291 626490

enquiries@reidlifting.com

	NAME	DATE	FINISH:
DRAWN	SS	25/05/2021	Anodised
CHK'D	-	-	MATERIAL:
APPR'D	CM	23/02/2022	Aluminium Alloy
<small>ALL COPYRIGHT AND DESIGN RIGHT SUBSISTING IN THIS DOCUMENT IS THE PROPERTY OF REID LIFTING LIMITED AND MAY NOT BE REPRODUCED WITHOUT REID LIFTING'S CONSENT. THIS DOCUMENT AND THE INFORMATION CONTAINED WITHIN IT IS CONFIDENTIAL AND MAY NOT BE DISCLOSED TO ANY THIRD PARTY NOR USED FOR ANY UNAUTHORISED PURPOSE WITHOUT REID LIFTING'S CONSENT</small>			
<small>UNLESS OTHERWISE SPECIFIED: DIMENSIONS ARE IN MILLIMETERS</small>			



TITLE: **General Arrangement of Reid Lifting Intermediate Porta-Gantry - 3000mm Beam WLL5000kg**

DWG NO. **PGSS05000IR-3000D** A4

Estimated Weight: 244kg 1:35 SHEET 1 OF 2

General Specification

- Maximum rated capacity for goods lifting - 5000kg
- Maximum rated capacity for personnel lifting - 2500kg
- Beam deflection at maximum rated capacity of 5000kg - between 10 - 15mm at centre of span
- Maximum castor surface pressure at full load - 112.91 Mpa
- Assembled gantry weight (excluding trolleys) - 244kg
- All welding to BS EN ISO 15614-2: 2005 by certified welders.
- For further details and assembly information refer to Operations and Maintenance Manual for Porta Gantry Product. (available at www.reidlifting.com)

Fall Protection Standards

- Certified to EN795:2012 Type B & supplied under PPE Regulation 2016/425
- Notified Body Witness tested to the requirements of PD CEN/TS16415:2013 for 5 persons
- Exceeds the requirements of IRATA ICOP & BS7985 (15kN MBL)
- Tested to and meets the requirements of ANSI Z359.18.2017 for 3 persons.

Materials & Finishes

- Frame and beam - 6082 T6 Aluminium alloy. Anodized.
- Castors - Steel. Bright Zinc Plated.
- Castor Wheels & Rollers - steel & Polyurethane
- Fixings - Steel. Grade 12.9. Bright Zinc Plated.

Note: Master Link Trolleys shown in system as a reference



Approved

DO NOT SCALE DRAWING

REVISION

01



Reid Lifting Limited. Unit 1
Wyeview, Newhouse Farm Ind. Est.,
Chepstow, Monmouthshire.
NP16 6UD, UK

Tel +44(0)1291 620796
Fax: +44(0)1291 626490

www.reidlifting.com

enquiries@reidlifting.com

	NAME	DATE
DRAWN	SS	25/05/2021
CHK'D		
APPR'D	CM	23/02/2022

UNLESS OTHERWISE SPECIFIED:
DIMENSIONS ARE IN MILLIMETERS

ALL COPYRIGHT AND DESIGN RIGHT SUBSISTING IN THIS DOCUMENT IS THE PROPERTY OF REID LIFTING LIMITED AND MAY NOT BE REPRODUCED WITHOUT REID LIFTING'S CONSENT. THIS DOCUMENT AND THE INFORMATION CONTAINED WITHIN IT IS CONFIDENTIAL AND MAY NOT BE DISCLOSED TO ANY THIRD PARTY NOR USED FOR ANY UNAUTHORISED PURPOSE WITHOUT REID LIFTING'S CONSENT



TITLE:

General Arrangement of Reid Lifting Intermediate Porta-Gantry - 3000mm Beam WLL5000kg

DWG NO.

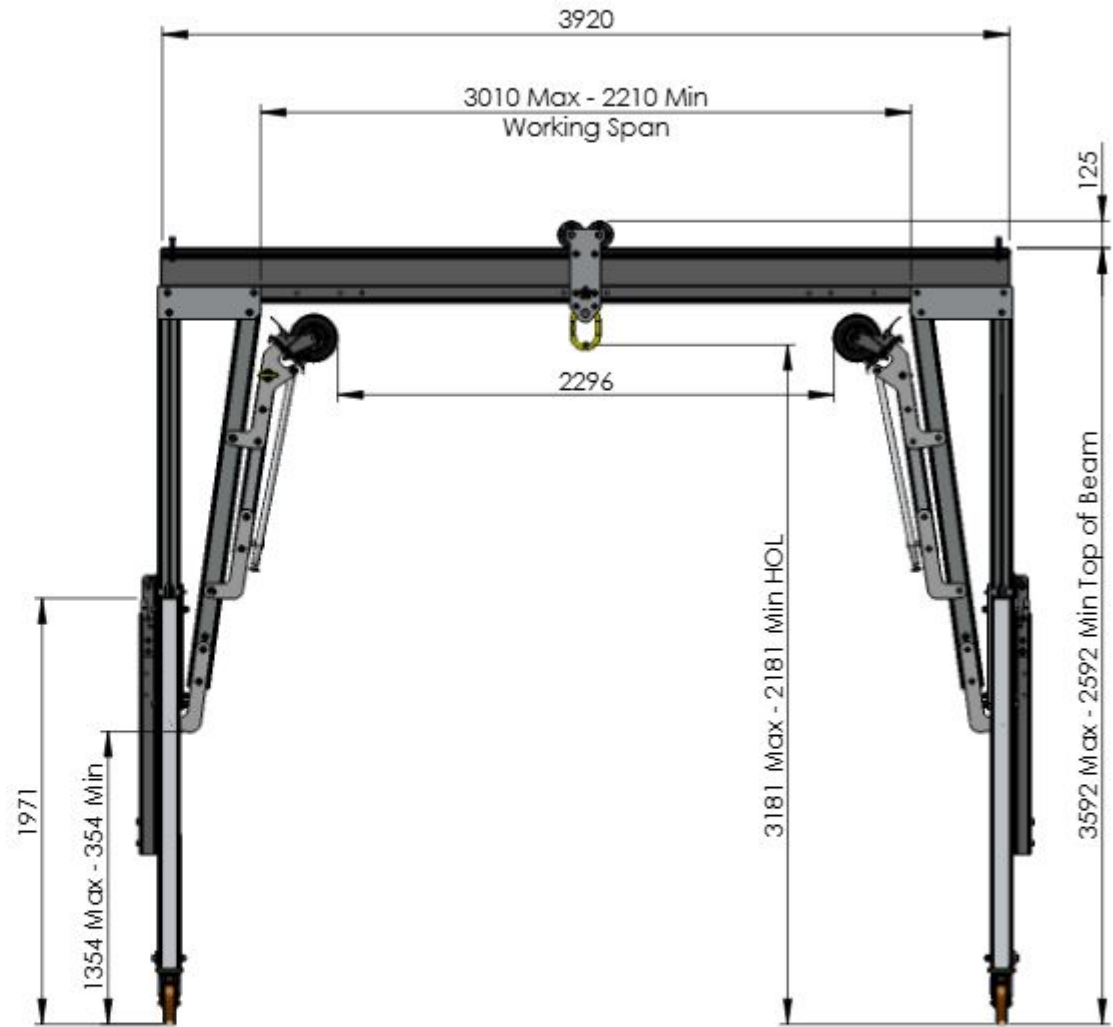
PGSS05000IR-3000D

A4

Estimated Weight: 244kg

1:30

SHEET 2 OF 2



DO NOT SCALE DRAWING

REVISION **01**



Reid Lifting Limited, Unit 1, Wyeview,
Newhouse Farm, Ind Est, Chepstow,
Monmouth, NP16 6UD, UK

Tel +44(0) 1291 620796
Fax +44(0) 1291 626490

enquiries@reidlifting.com

	NAME	DATE	FINISH:
DRAWN	SS	25/05/2021	Anodised
CHK'D	-	-	MATERIAL:
APP'VD	CM	17/09/2021	Aluminium Alloy
<small>ALL COPYRIGHT AND DESIGN RIGHT SUBSISTING IN THIS DOCUMENT IS THE PROPERTY OF REID LIFTING LIMITED AND MAY NOT BE REPRODUCED WITHOUT REID LIFTING'S CONSENT. THIS DOCUMENT AND THE INFORMATION CONTAINED WITHIN IT IS CONFIDENTIAL AND MAY NOT BE DISCLOSED TO ANY THIRD PARTY NOR USED FOR ANY UNAUTHORISED PURPOSE WITHOUT REID LIFTING'S CONSENT.</small>			
<small>UNLESS OTHERWISE SPECIFIED: DIMENSIONS ARE IN MILLIMETERS</small>			



TITLE: **General Arrangement of Reid Lifting Intermediate Porta-Gantry - 3920mm Beam WLL5000kg**

DWG NO. **PGSS05000IR-3920D** **A4**

Estimated Weight: 278kg 1:35 SHEET 1 OF 2

General Specification

- Maximum rated capacity for goods lifting - 5000kg
- Maximum rated capacity for personnel lifting - 2500kg
- Beam deflection at maximum rated capacity of 5000kg - between 20 - 30mm at centre of span
- Maximum castor surface pressure at full load - 113.06 Mpa
- Assembled gantry weight (excluding trolleys) - 278kg
- All welding to BS EN ISO 15614-2: 2005 by certified welders.
- For further details and assembly information refer to Operations and Maintenance Manual for Porta Gantry Product. (available at www.reidlifting.com)

Fall Protection Standards

- Certified to EN795:2012 Type B & supplied under PPE Regulation 2016/425
- Notified Body Witness tested to the requirements of PD CEN/TS16415:2013 for 5 persons
- Exceeds the requirements of IRATA ICOP & BS7985 (15kN MBL)
- Tested to and meets the requirements of ANSI Z359.18.2017 for 3 persons.

Materials & Finishes

- Frame and beam - 6082 T6 Aluminium alloy. Anodized.
- Castors - Steel. Bright Zinc Plated.
- Castor Wheels & Rollers - Steel & Polyurethane
- Fixings - Steel. Grade 12.9. Bright Zinc Plated.

Note: Master Link Trolleys shown in system as a reference



Approved

DO NOT SCALE DRAWING

REVISION

01



Reid Lifting Limited. Unit 1
Wyeview, Newhouse Farm Ind. Est.,
Chepstow, Monmouthshire.
NP16 6UD, UK

Tel +44(0)1291 620796
Fax: +44(0)1291 626490

www.reidlifting.com

enquiries@reidlifting.com

	NAME	DATE
DRAWN	SS	25/05/2021
CHK'D		
APPR'D	CM	17/09/2021

UNLESS OTHERWISE SPECIFIED:
DIMENSIONS ARE IN MILLIMETERS

ALL COPYRIGHT AND DESIGN RIGHT SUBSISTING IN THIS DOCUMENT IS THE PROPERTY OF REID LIFTING LIMITED AND MAY NOT BE REPRODUCED WITHOUT REID LIFTING'S CONSENT. THIS DOCUMENT AND THE INFORMATION CONTAINED WITHIN IT IS CONFIDENTIAL AND MAY NOT BE DISCLOSED TO ANY THIRD PARTY NOR USED FOR ANY UNAUTHORISED PURPOSE WITHOUT REID LIFTING'S CONSENT



TITLE:

General Arrangement of Reid Lifting Intermediate Porta-Gantry - 3920mm Beam WLL5000kg

DWG NO.

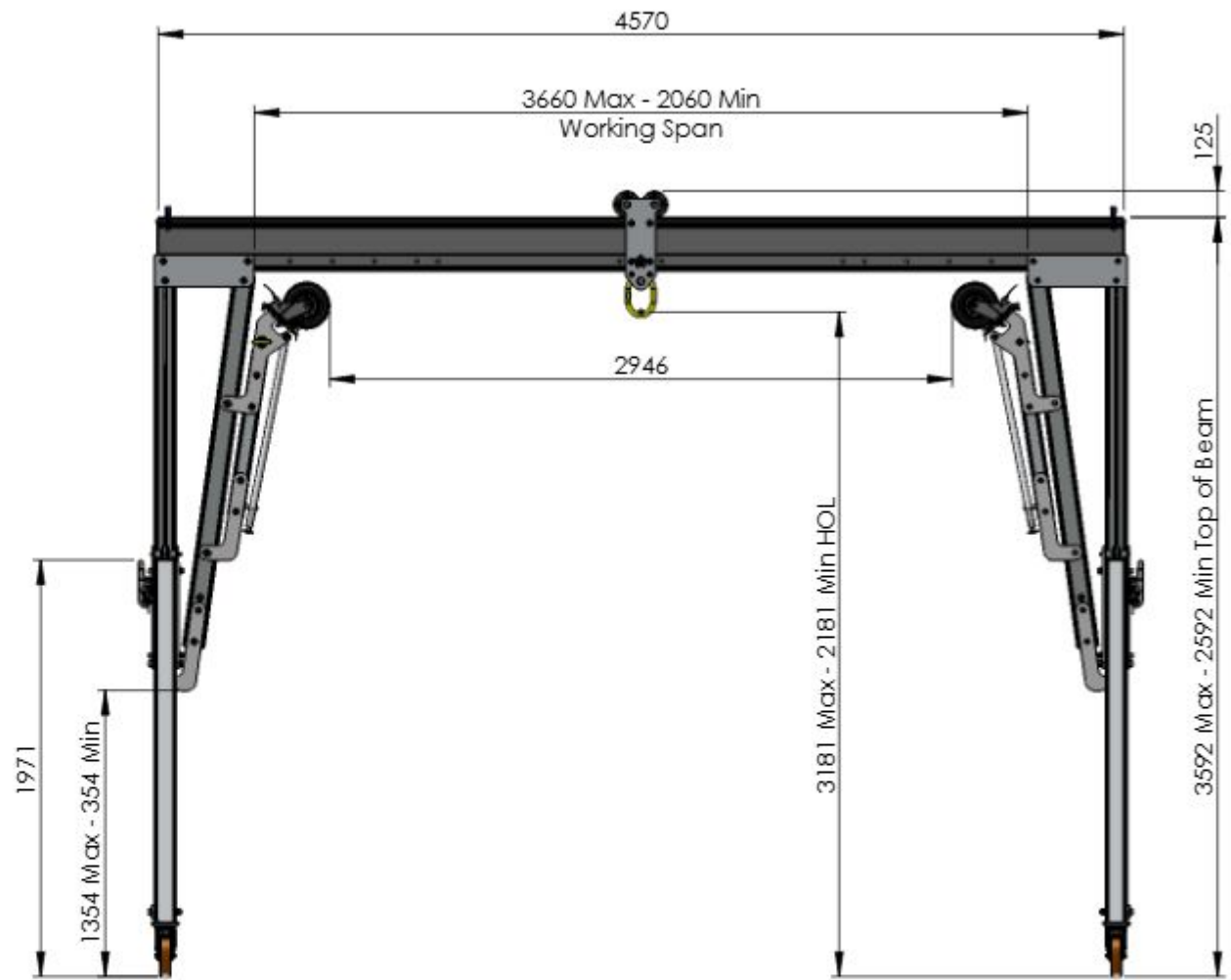
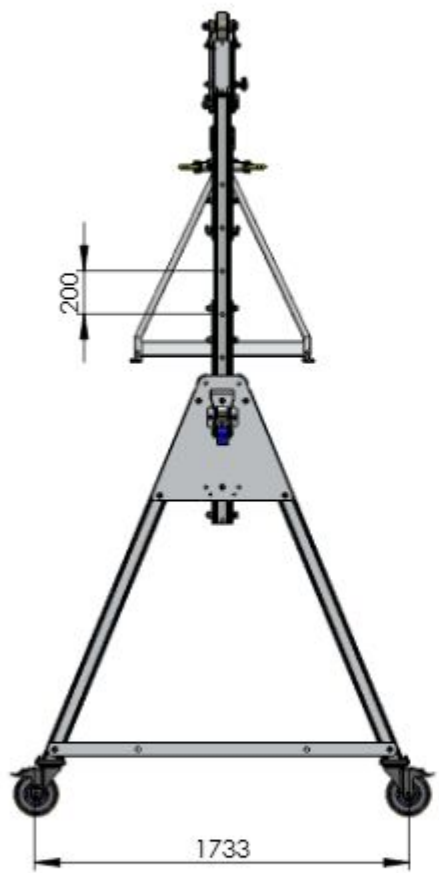
PGSS05000IR-3920D

A4

Estimated Weight: 278kg

1:35

SHEET 2 OF 2



DO NOT SCALE DRAWING

REVISION **01**



Reid Lifting Limited, Unit 1, Wyeview, Newhouse Farm, Ind Est, Chepstow, Monmouth, NP16 6UD, UK

Tel +44(0) 1291 620796
Fax +44(0) 1291 626490

enquiries@reidlifting.com

	NAME	DATE	FINISH:
DRAWN	SS	25/05/2021	Anodised
CHK'D	-	-	MATERIAL:
APPR'VD	CM	28/02/2022	Aluminium Alloy
<small>ALL COPYRIGHT AND DESIGN RIGHT SUBSISTING IN THIS DOCUMENT IS THE PROPERTY OF REID LIFTING LIMITED AND MAY NOT BE REPRODUCED WITHOUT REID LIFTING'S CONSENT. THIS DOCUMENT AND THE INFORMATION CONTAINED WITHIN IT IS CONFIDENTIAL AND MAY NOT BE DISCLOSED TO ANY THIRD PARTY NOR USED FOR ANY UNAUTHORISED PURPOSE WITHOUT REID LIFTING'S CONSENT.</small>			
<small>UNLESS OTHERWISE SPECIFIED: DIMENSIONS ARE IN MILLIMETERS</small>			

TITLE: **General Arrangement of Reid Lifting Intermediate Porta-Gantry - 4570mm Beam WLL5000kg**

DWG NO.	PGSS05000IR-4570D	A4
Estimated Weight:	269kg	1:35
		SHEET 1 OF 2

General Specification

- Maximum rated capacity for goods lifting - 5000kg
- Maximum rated capacity for personnel lifting - 2500kg
- Beam deflection at maximum rated capacity of 5000kg - between 30 - 40mm at centre of span
- Maximum castor surface pressure at full load - 113.17 Mpa
- Assembled gantry weight (excluding trolleys) - 269kg
- All welding to BS EN ISO 15614-2: 2005 by certified welders.
- For further details and assembly information refer to Operations and Maintenance Manual for Porta Gantry Product. (available at www.reidlifting.com)

Fall Protection Standards

- Certified to EN795:2012 Type B & supplied under PPE Regulation 2016/425
- Notified Body Witness tested to the requirements of PD CEN/TS16415:2013 for 5 persons
- Exceeds the requirements of IRATA ICOP & BS7985 (15kN MBL)
- Tested to and meets the requirements of ANSI Z359.18.2017 for 3 persons.

Materials & Finishes

- Frame and beam - 6082 T6 Aluminium alloy. Anodized.
- Castors - Steel. Bright Zinc Plated.
- Castor Wheels & Rollers - Steel & Polyurethane
- Fixings - Steel. Grade 12.9. Bright Zinc Plated.

Note: Master Link Trolleys shown in system as a reference



Approved

DO NOT SCALE DRAWING

REVISION **01**



Reid Lifting Limited. Unit 1
Wyeview, Newhouse Farm Ind. Est.,
Chepstow, Monmouthshire.
NP16 6UD, UK

Tel +44(0)1291 620796
Fax: +44(0)1291 626490

www.reidlifting.com

enquiries@reidlifting.com

	NAME	DATE
DRAWN	SS	25/05/2021
CHK'D		
APPR'D	CM	28/02/2022

UNLESS OTHERWISE SPECIFIED:
DIMENSIONS ARE IN MILLIMETERS

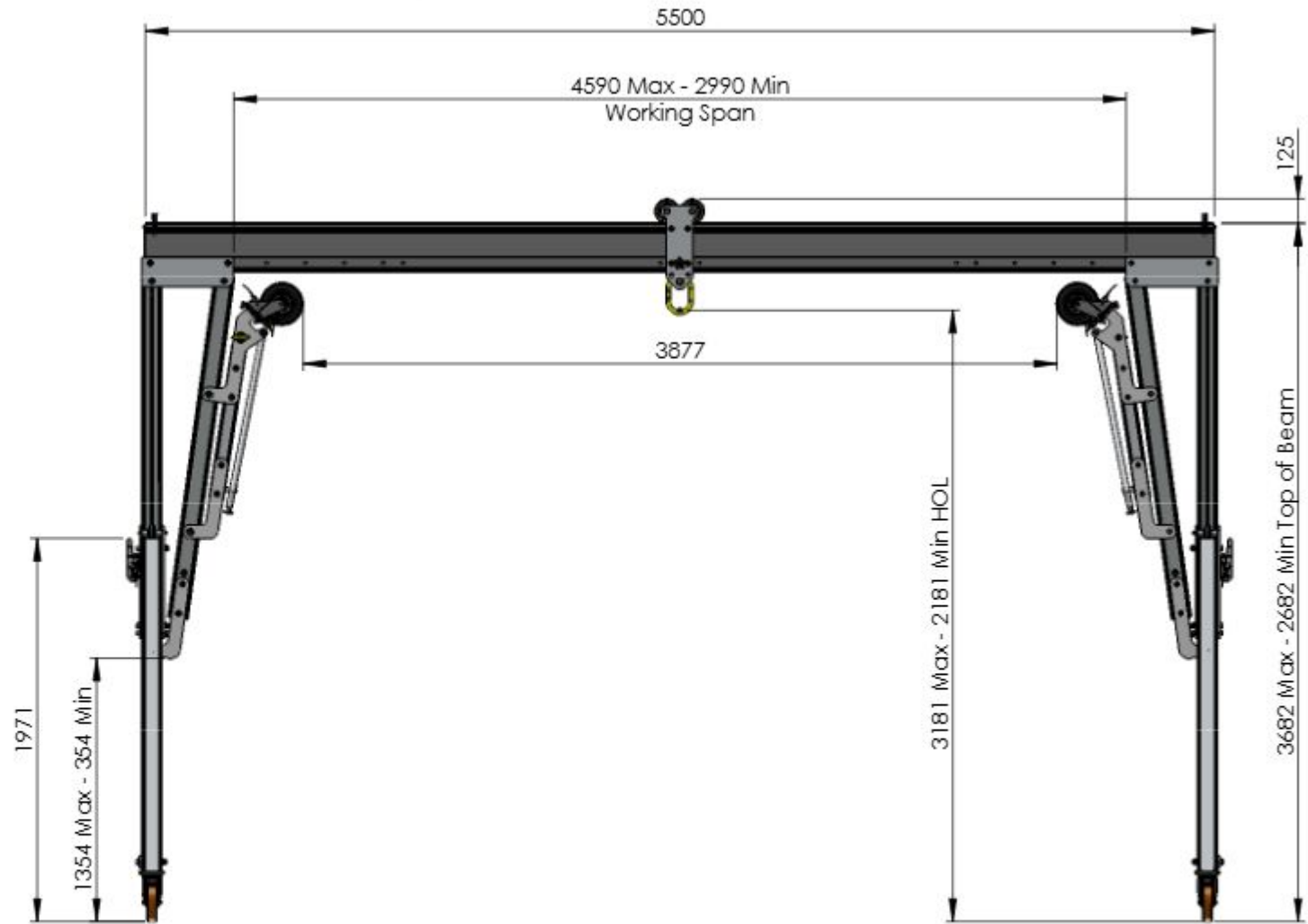
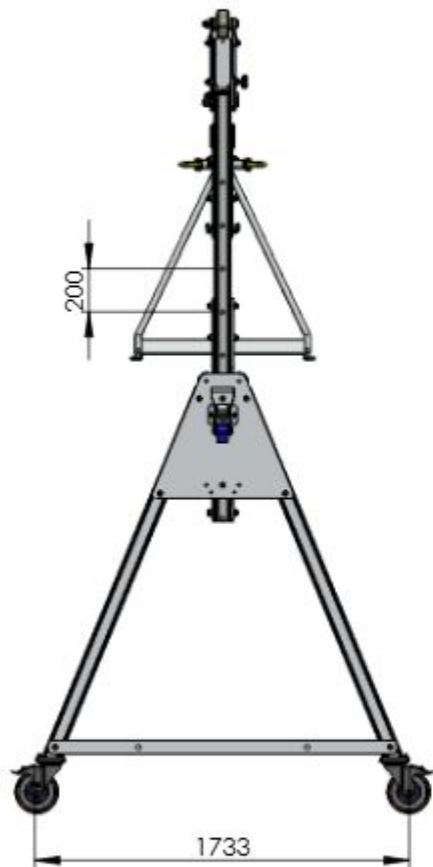
ALL COPYRIGHT AND DESIGN RIGHT SUBSISTING IN THIS DOCUMENT IS THE PROPERTY OF REID LIFTING LIMITED AND MAY NOT BE REPRODUCED WITHOUT REID LIFTING'S CONSENT. THIS DOCUMENT AND THE INFORMATION CONTAINED WITHIN IT IS CONFIDENTIAL AND MAY NOT BE DISCLOSED TO ANY THIRD PARTY NOR USED FOR ANY UNAUTHORISED PURPOSE WITHOUT REID LIFTING'S CONSENT



TITLE:
General Arrangement of Reid Lifting Intermediate Porta-Gantry - 4570mm Beam WLL5000kg

DWG NO. **PGSS05000IR-4570D** A4

Estimated Weight: 269kg 1:35 SHEET 2 OF 2



DO NOT SCALE DRAWING

REVISION **01**



Reid Lifting Limited, Unit 1, Wyeview,
Newhouse Farm, Ind Est, Chepstow,
Monmouth, NP16 6UD, UK

Tel +44(0) 1291 620796
Fax +44(0) 1291 626490

enquiries@reidlifting.com

	NAME	DATE	FINISH:
DRAWN	SS	25/05/2021	Anodised
CHK'D	-	-	MATERIAL:
APP'VD	CM	09/08/2021	Aluminium Alloy
<small>ALL COPYRIGHT AND DESIGN RIGHT SUBSISTING IN THIS DOCUMENT IS THE PROPERTY OF REID LIFTING LIMITED AND MAY NOT BE REPRODUCED WITHOUT REID LIFTING'S CONSENT. THIS DOCUMENT AND THE INFORMATION CONTAINED WITHIN IT IS CONFIDENTIAL AND MAY NOT BE DISCLOSED TO ANY THIRD PARTY NOR USED FOR ANY UNAUTHORISED PURPOSE WITHOUT REID LIFTING'S CONSENT.</small>			
<small>UNLESS OTHERWISE SPECIFIED: DIMENSIONS ARE IN MILLIMETERS</small>			



TITLE: **General Arrangement of Reid Lifting Intermediate Porta-Gantry - 5500mm Beam WLL5000kg**

DWG NO. **PGSS05000IR-5500D** **A4**

Estimated Weight: 283kg 1:35 SHEET 1 OF 2

General Specification

- Maximum rated capacity for goods lifting - 5000kg
- Maximum rated capacity for personnel lifting - 2500kg
- Beam deflection at maximum rated capacity of 5000kg - between 50 - 60mm at centre of span
- Maximum castor surface pressure at full load - 113.33 Mpa
- Assembled gantry weight (excluding trollies) - 283kg
- All welding to BS EN ISO 15614-2: 2005 by certified welders.
- For further details and assembly information refer to Operations and Maintenance Manual for Porta Gantry Product. (available at www.reidlifting.com)

Fall Protection Standards

- Certified to EN795:2012 Type B & supplied under PPE Regulation 2016/425
- Notified Body Witness tested to the requirements of PD CEN/TS16415:2013 for 5 persons
- Exceeds the requirements of IRATA ICOP & BS7985 (15kN MBL)
- Tested to and meets the requirements of ANSI Z359.18.2017 for 3 persons.

Materials & Finishes

- Frame and beam - 6082 T6 Aluminium alloy. Anodized.
- Castors - Steel. Bright Zinc Plated.
- Castor Wheels & Rollers - Steel & Polyurethane
- Fixings - Steel. Grade 12:9. Bright Zinc Plated.

Note: Master Link Trolleys shown in system as a reference

PGTZL05000
Weight 11kg

PGTGL05000
Weight 12kg

PGBS05000-5500D
Weight 85kg

PGAS05000IR
Weight 99kg

PGAS05000IR
Weight 99kg

Approved

DO NOT SCALE DRAWING

REVISION

01



Reid Lifting Limited. Unit 1
Wyeview, Newhouse Farm Ind. Est.,
Chepstow, Monmouthshire.
NP16 6UD, UK

Tel +44(0)1291 620796
Fax: +44(0)1291 626490

www.reidlifting.com

enquiries@reidlifting.com

	NAME	DATE
DRAWN	SS	25/05/2021
CHK'D		
APPR'D	CM	09/08/2021

UNLESS OTHERWISE SPECIFIED:
DIMENSIONS ARE IN MILLIMETERS

ALL COPYRIGHT AND DESIGN RIGHT SUBSISTING IN THIS DOCUMENT IS THE PROPERTY OF REID LIFTING LIMITED AND MAY NOT BE REPRODUCED WITHOUT REID LIFTING'S CONSENT. THIS DOCUMENT AND THE INFORMATION CONTAINED WITHIN IT IS CONFIDENTIAL AND MAY NOT BE DISCLOSED TO ANY THIRD PARTY NOR USED FOR ANY UNAUTHORISED PURPOSE WITHOUT REID LIFTING'S CONSENT



TITLE:

General Arrangement of Reid Lifting
Intermediate Porta-Gantry -
5500mm Beam WLL5000kg

DWG NO.

PGSS05000IR-5500D

A4

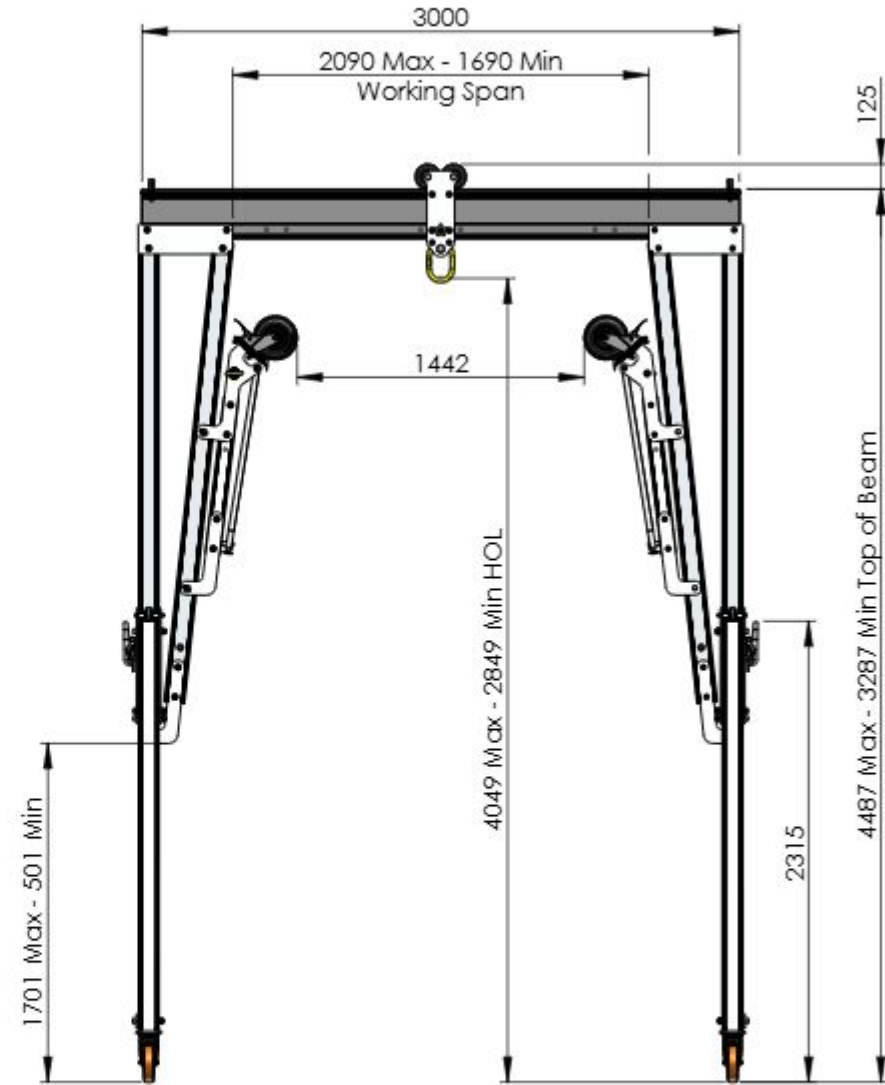
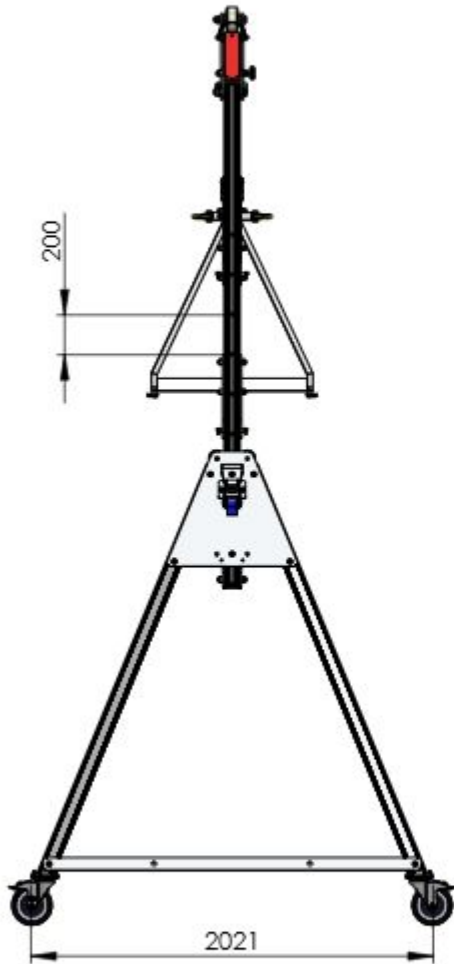
Estimated Weight: 283kg

1:35

SHEET 2 OF 2



To ensure stability of the structure, the working span of the beam must be equal to or greater than the distance between the castors on the A-frame



DO NOT SCALE DRAWING

REVISION **02**



Reid Lifting Limited. Unit 1
Wyeview, Newhouse Farm Ind. Est.,
Chepstow, Monmouthshire,
NP16 6UD, UK

Tel +44(0) 1291 620796
Fax +44(0) 1291 626490

www.reidlifting.com

enquiries@reidlifting.com

	NAME	DATE	FINISH:
DRAWN	SS	14/06/2021	Anodised
CHK'D			MATERIAL:
APPR'D	CM	20/06/2024	Aluminium Alloy
<small>ALL COPYRIGHT AND DESIGN RIGHT SUBSISTING IN THIS DOCUMENT IS THE PROPERTY OF REID LIFTING LIMITED AND MAY NOT BE REPRODUCED WITHOUT REID LIFTING'S CONSENT. THIS DOCUMENT AND THE INFORMATION CONTAINED WITHIN IT IS CONFIDENTIAL AND MAY NOT BE DISCLOSED TO ANY THIRD PARTY NOR USED FOR ANY UNAUTHORISED PURPOSE WITHOUT REID LIFTING'S CONSENT</small>			
<small>UNLESS OTHERWISE SPECIFIED: DIMENSIONS ARE IN MILLIMETERS</small>			



TITLE: **General Arrangement of REID Lifting Porta-Gantry Size Tall 3000mm Beam WLL5000kg**

DWG NO. **PGSS05000TR-3000D** A4

Estimated Weight: 264kg 1:38 SHEET 1 OF 2

General Specification

- Maximum rated capacity for goods lifting - 5000kg
- Maximum rated capacity for personnel lifting - 2500kg
- Beam deflection at maximum rated capacity of 5000kg - between 10-15 mm at centre of span
- Maximum castor surface pressure at full load - 113.02 MPa
- Assembled gantry weight (excluding trollies) - 264kg
- All welding to BS EN ISO 15614-2: 2005 by certified welders.
- For further details and assembly information refer to Operations and Maintenance Manual for Porta Gantry Product. (available at www.reidlifting.com)

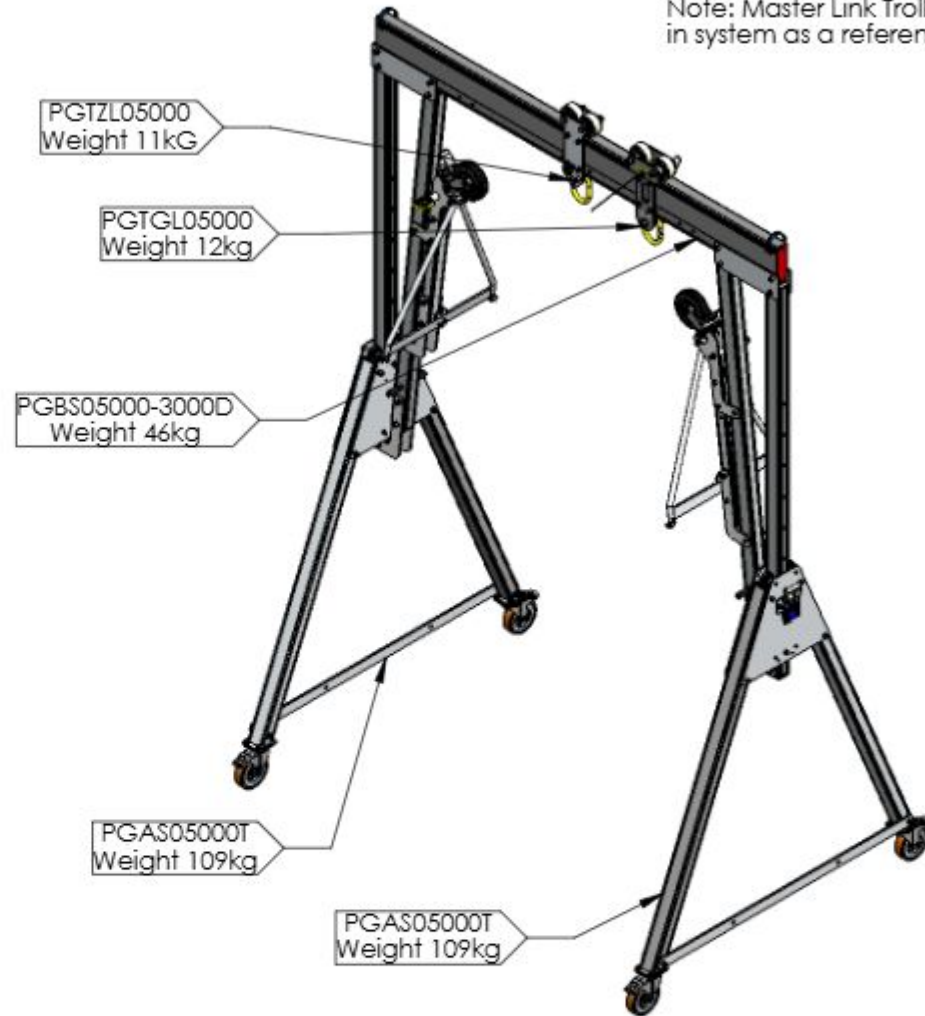
Fall Protection Standards

- Certified to EN795:2012 Type B & supplied under PPE Regulation 2016/425
- Notified Body Witness tested to the requirements of PD CEN/TS16415:2013 for 5 persons
- Exceeds the requirements of IRATA ICOP & BS7985 (15kN MBL)
- Tested to and meets the requirements of ANSI Z359.18.2017 for 3 persons.

Materials & Finishes

- Frame and beam - 6082 T6 Aluminium alloy. Anodised.
- Castors - Steel. Bright Zinc Plated.
- Castor Wheels & Rollers - Steel & Polyurethane
- Fixings - Steel. Grade 12.9. Bright Zinc Plated.

Note: Master Link Trolleys shown in system as a reference



Approved

DO NOT SCALE DRAWING

REVISION **02**

REID
LIFTING

Reid Lifting Limited. Unit 1
Wyeview, Newhouse Farm Ind. Est.,
Chepstow, Monmouthshire.
NP16 6UD, UK

Tel +44(0)1291 620796
Fax: +44(0)1291 626490

www.reidlifting.com

enquiries@reidlifting.com

	NAME	DATE
DRAWN	SS	14/06/2021
CHK'D		
APPR'D	CM	20/06/2024

UNLESS OTHERWISE SPECIFIED:
DIMENSIONS ARE IN MILLIMETERS

ALL COPYRIGHT AND DESIGN RIGHT SUBSISTING IN THIS DOCUMENT IS THE PROPERTY OF REID LIFTING LIMITED AND MAY NOT BE REPRODUCED WITHOUT REID LIFTING'S CONSENT. THIS DOCUMENT AND THE INFORMATION CONTAINED WITHIN IT IS CONFIDENTIAL AND MAY NOT BE DISCLOSED TO ANY THIRD PARTY NOR USED FOR ANY UNAUTHORIZED PURPOSE WITHOUT REID LIFTING'S CONSENT



TITLE: **General Arrangement of REID Lifting Porta-Gantry Size Tall 3000mm Beam WLL5000kg**

DWG NO.

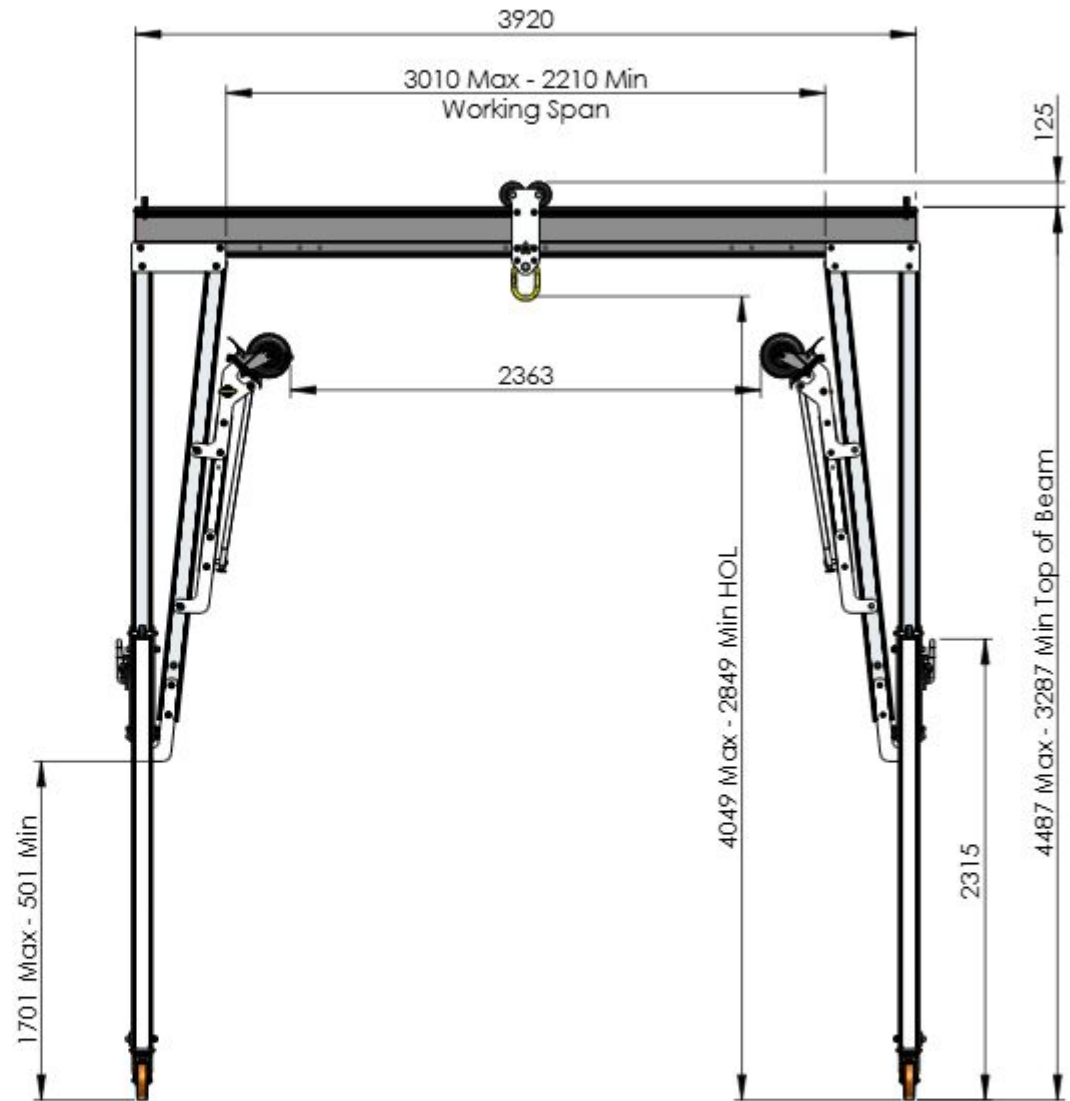
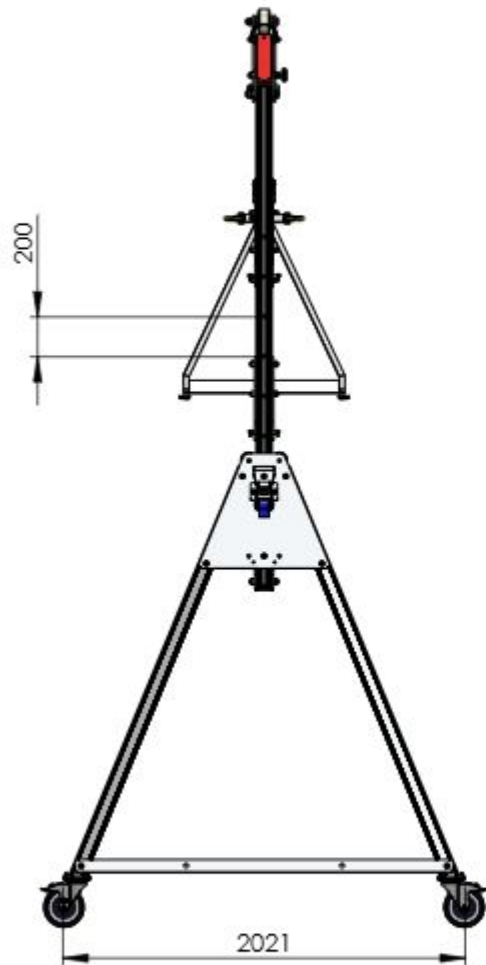
PGSS05000TR-3000D

A4

Estimated Weight: 264kg

1:40

SHEET 2 OF 2



DO NOT SCALE DRAWING

REVISION **03**



Reid Lifting Limited. Unit 1
Wyeview, Newhouse Farm Ind. Est.,
Chepstow, Monmouthshire.
NP16 6UD, UK

Tel +44(0) 1291 620796
Fax +44(0) 1291 626490

www.reidlifting.com

enquiries@reidlifting.com

	NAME	DATE	FINISH:
DRAWN	SS	14/06/2021	Anodised
CHK'D			MATERIAL:
APP'VD	CM	20/06/2024	Aluminium Alloy
<small>ALL COPYRIGHT AND DESIGN RIGHT SUBSISTING IN THIS DOCUMENT IS THE PROPERTY OF REID LIFTING LIMITED AND MAY NOT BE REPRODUCED WITHOUT REID LIFTING'S CONSENT. THIS DOCUMENT AND THE INFORMATION CONTAINED WITHIN IT IS CONFIDENTIAL AND MAY NOT BE DISCLOSED TO ANY THIRD PARTY NOR USED FOR ANY UNAUTHORISED PURPOSE WITHOUT REID LIFTING'S CONSENT</small>			
<small>UNLESS OTHERWISE SPECIFIED: DIMENSIONS ARE IN MILLIMETERS</small>			



TITLE: **General Arrangement of REID Lifting Porta-Gantry Size Tall 3920mm Beam WLL5000kg**

DWG NO.

PGSS05000TR-3920D

A4

Estimated Weight: 278kg

1:38

SHEET 1 OF 2

General Specification

- Maximum rated capacity for goods lifting - 5000kg
- Maximum rated capacity for personnel lifting - 2500kg
- Beam deflection at maximum rated capacity of 5000kg - between 20-30 mm at centre of span
- Maximum castor surface pressure at full load - 113.17 MPa
- Assembled gantry weight (excluding trollies) - 278kg
- All welding to BS EN ISO 15614-2: 2005 by certified welders.
- For further details and assembly information refer to Operations and Maintenance Manual for Porta Gantry Product. (available at www.reidlifting.com)

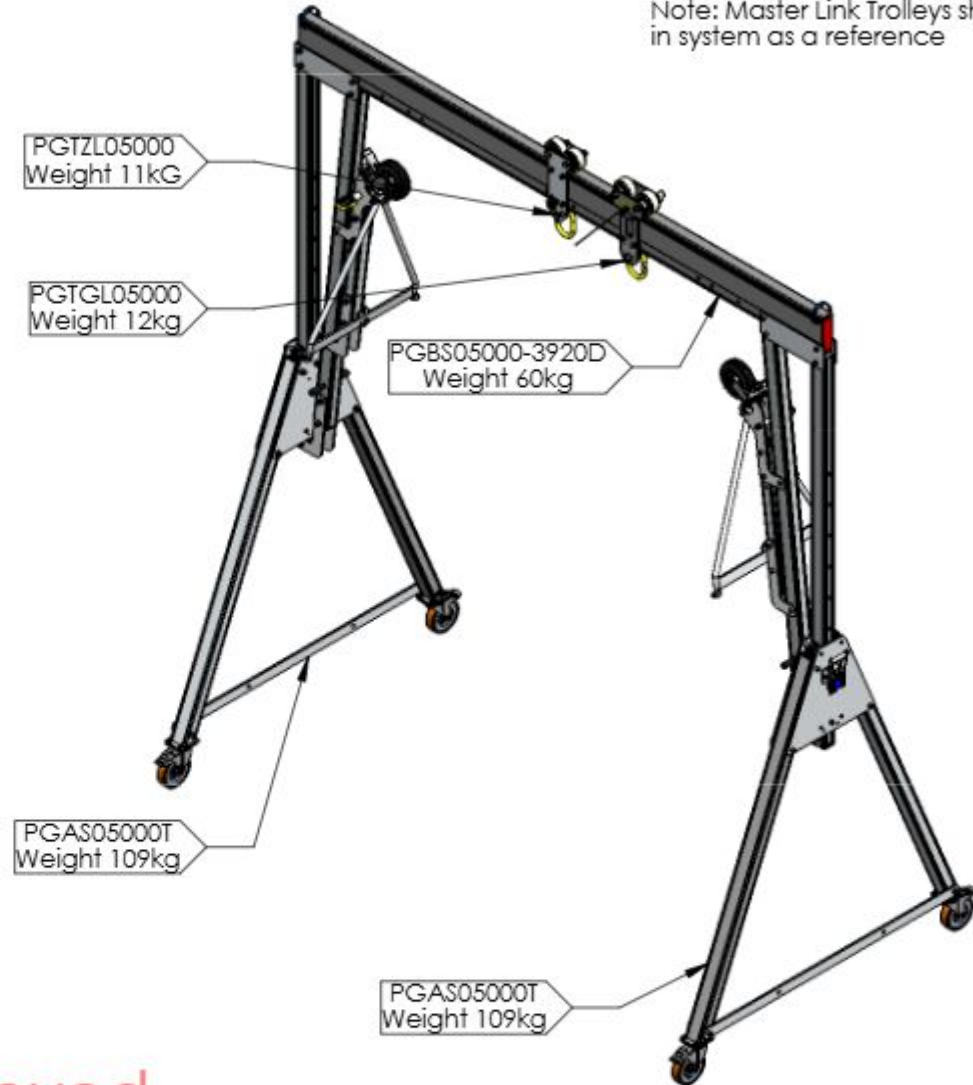
Fall Protection Standards

- Certified to EN795:2012 Type B & supplied under PPE Regulation 2016/425
- Notified Body Witness tested to the requirements of PD CEN/TS16415:2013 for 5 persons
- Exceeds the requirements of IRATA ICOP & BS7985 (15kN MBL)
- Tested to and meets the requirements of ANSI Z359.18.2017 for 3 persons.

Materials & Finishes

- Frame and beam - 6082 T6 Aluminium alloy. Anodised.
- Castors - Steel. Bright Zinc Plated.
- Castor Wheels & Rollers - Steel & Polyurethane
- Fixings - Steel. Grade 12.9. Bright Zinc Plated.

Note: Master Link Trolleys shown in system as a reference



Approved

DO NOT SCALE DRAWING

REVISION **03**



Reid Lifting Limited. Unit 1
Wyeview, Newhouse Farm Ind. Est.,
Chepstow, Monmouthshire.
NP16 6UD, UK

Tel +44(0)1291 620796
Fax: +44(0)1291 626490

www.reidlifting.com

enquiries@reidlifting.com

	NAME	DATE
DRAWN	SS	14/06/2021
CHK'D		
APP'VD	CM	20/06/2024

UNLESS OTHERWISE SPECIFIED:
DIMENSIONS ARE IN MILLIMETERS

ALL COPYRIGHT AND DESIGN RIGHT SUBSISTING IN THIS DOCUMENT IS THE PROPERTY OF REID LIFTING LIMITED AND MAY NOT BE REPRODUCED WITHOUT REID LIFTING'S CONSENT. THIS DOCUMENT AND THE INFORMATION CONTAINED WITHIN IT IS CONFIDENTIAL AND MAY NOT BE DISCLOSED TO ANY THIRD PARTY NOR USED FOR ANY UNAUTHORIZED PURPOSE WITHOUT REID LIFTING'S CONSENT



TITLE: **General Arrangement of REID Lifting Porta-Gantry Size Tall 3920mm Beam WLL5000kg**

DWG NO.

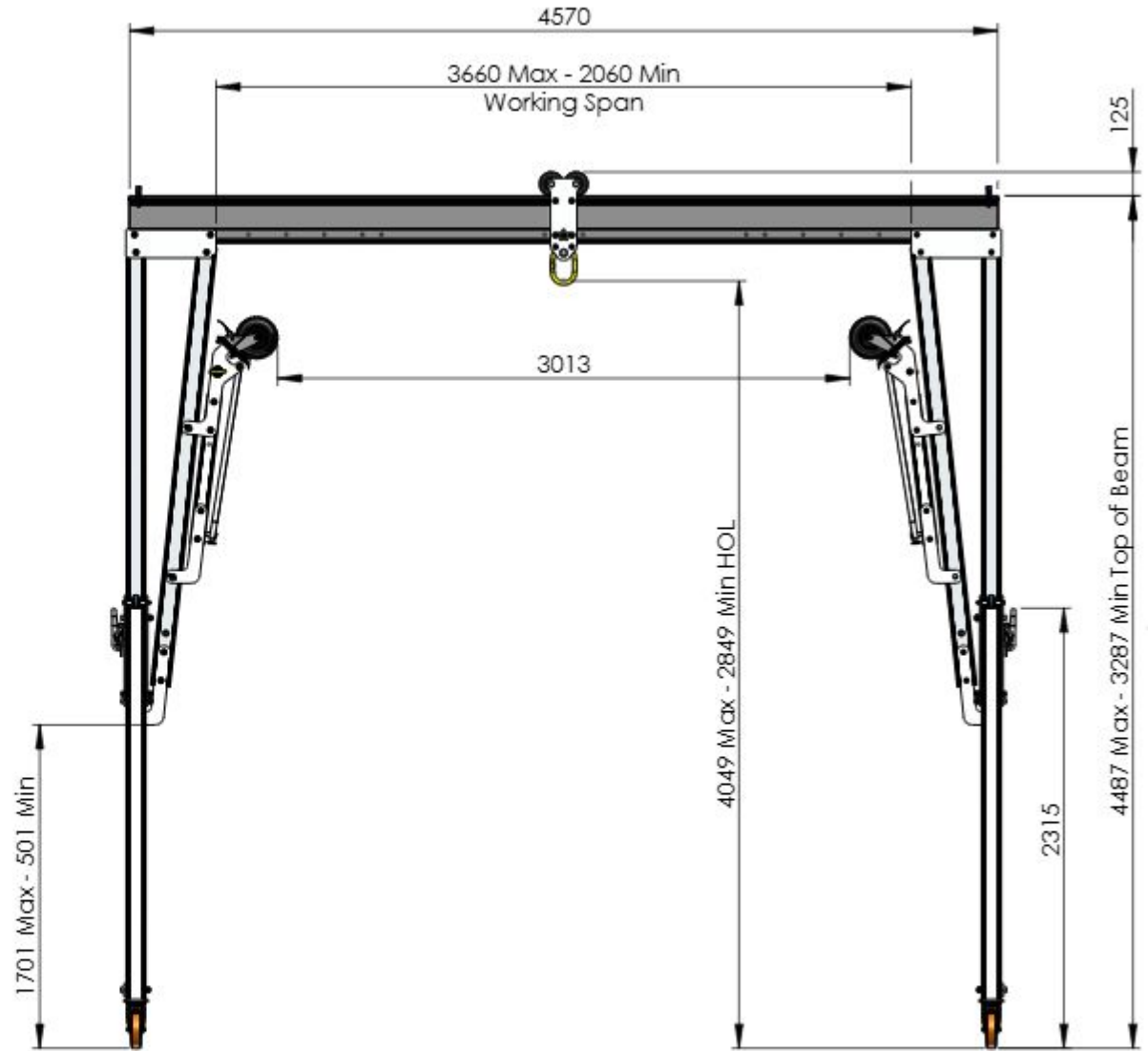
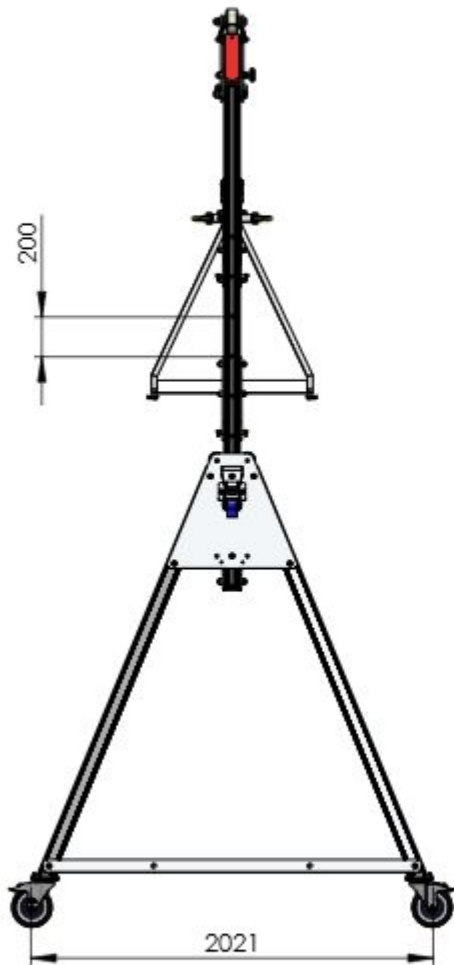
PGSS05000TR-3920D

A4

Estimated Weight: 278kg

1:40

SHEET 2 OF 2



DO NOT SCALE DRAWING

REVISION **03**



Reid Lifting Limited. Unit 1
Wyeview, Newhouse Farm Ind. Est.,
Chepstow, Monmouthshire.
NP16 6UD, UK

Tel +44(0) 1291 620796
Fax +44(0) 1291 626490

www.reidlifting.com

enquiries@reidlifting.com

	NAME	DATE	FINISH:
DRAWN	SS	14/06/2021	Anodised
CHK'D			MATERIAL:
APP'VD	CM	20/06/2024	Aluminium Alloy
<small>ALL COPYRIGHT AND DESIGN RIGHT SUBSISTING IN THIS DOCUMENT IS THE PROPERTY OF REID LIFTING LIMITED AND MAY NOT BE REPRODUCED WITHOUT REID LIFTING'S CONSENT. THIS DOCUMENT AND THE INFORMATION CONTAINED WITHIN IT IS CONFIDENTIAL AND MAY NOT BE DISCLOSED TO ANY THIRD PARTY NOR USED FOR ANY UNAUTHORISED PURPOSE WITHOUT REID LIFTING'S CONSENT</small>			
<small>UNLESS OTHERWISE SPECIFIED: DIMENSIONS ARE IN MILLIMETERS</small>			



TITLE: **General Arrangement of REID Lifting Porta-Gantry Size Tall 4570mm Beam WLL5000kg**

DWG NO. **PGSS05000TR-4570D** A4

Estimated Weight: 289kg 1:38 SHEET 1 OF 2

General Specification

- Maximum rated capacity for goods lifting - 5000kg
- Maximum rated capacity for personnel lifting - 2500kg
- Beam deflection at maximum rated capacity of 5000kg - between 30-40 mm at centre of span
- Maximum castor surface pressure at full load - 113.28 MPa
- Assembled gantry weight (excluding trollies) - 289kg
- All welding to BS EN ISO 15614-2: 2005 by certified welders.
- For further details and assembly information refer to Operations and Maintenance Manual for Porta Gantry Product. (available at www.reidlifting.com)

Fall Protection Standards

- Certified to EN795:2012 Type B & supplied under PPE Regulation 2016/425
- Notified Body Witness tested to the requirements of PD CEN/TS16415:2013 for 5 persons
- Exceeds the requirements of IRATA ICOP & BS7985 (15kN MBL)
- Tested to and meets the requirements of ANSI Z359.18.2017 for 3 persons.

Materials & Finishes

- Frame and beam - 6082 T6 Aluminium alloy. Anodised.
- Castors - Steel. Bright Zinc Plated.
- Castor Wheels & Rollers - Steel & Polyurethane
- Fixings - Steel. Grade 12.9. Bright Zinc Plated.

Note: Master Link Trolleys shown in system as a reference



Approved

DO NOT SCALE DRAWING

REVISION **03**



Reid Lifting Limited. Unit 1
Wyeview, Newhouse Farm Ind. Est.,
Chepstow, Monmouthshire.
NP16 6UD, UK

Tel +44(0)1291 620796
Fax: +44(0)1291 626490

www.reidlifting.com

enquiries@reidlifting.com

	NAME	DATE
DRAWN	SS	14/06/2021
CHK'D		
APPR'D	CM	20/06/2024

UNLESS OTHERWISE SPECIFIED:
DIMENSIONS ARE IN MILLIMETERS

ALL COPYRIGHT AND DESIGN RIGHT SUBSISTING IN THIS DOCUMENT IS THE PROPERTY OF REID LIFTING LIMITED AND MAY NOT BE REPRODUCED WITHOUT REID LIFTING'S CONSENT. THIS DOCUMENT AND THE INFORMATION CONTAINED WITHIN IT IS CONFIDENTIAL AND MAY NOT BE DISCLOSED TO ANY THIRD PARTY NOR USED FOR ANY UNAUTHORIZED PURPOSE WITHOUT REID LIFTING'S CONSENT



TITLE: **General Arrangement of REID Lifting Porta-Gantry Size Tall 4570mm Beam WLL5000kg**

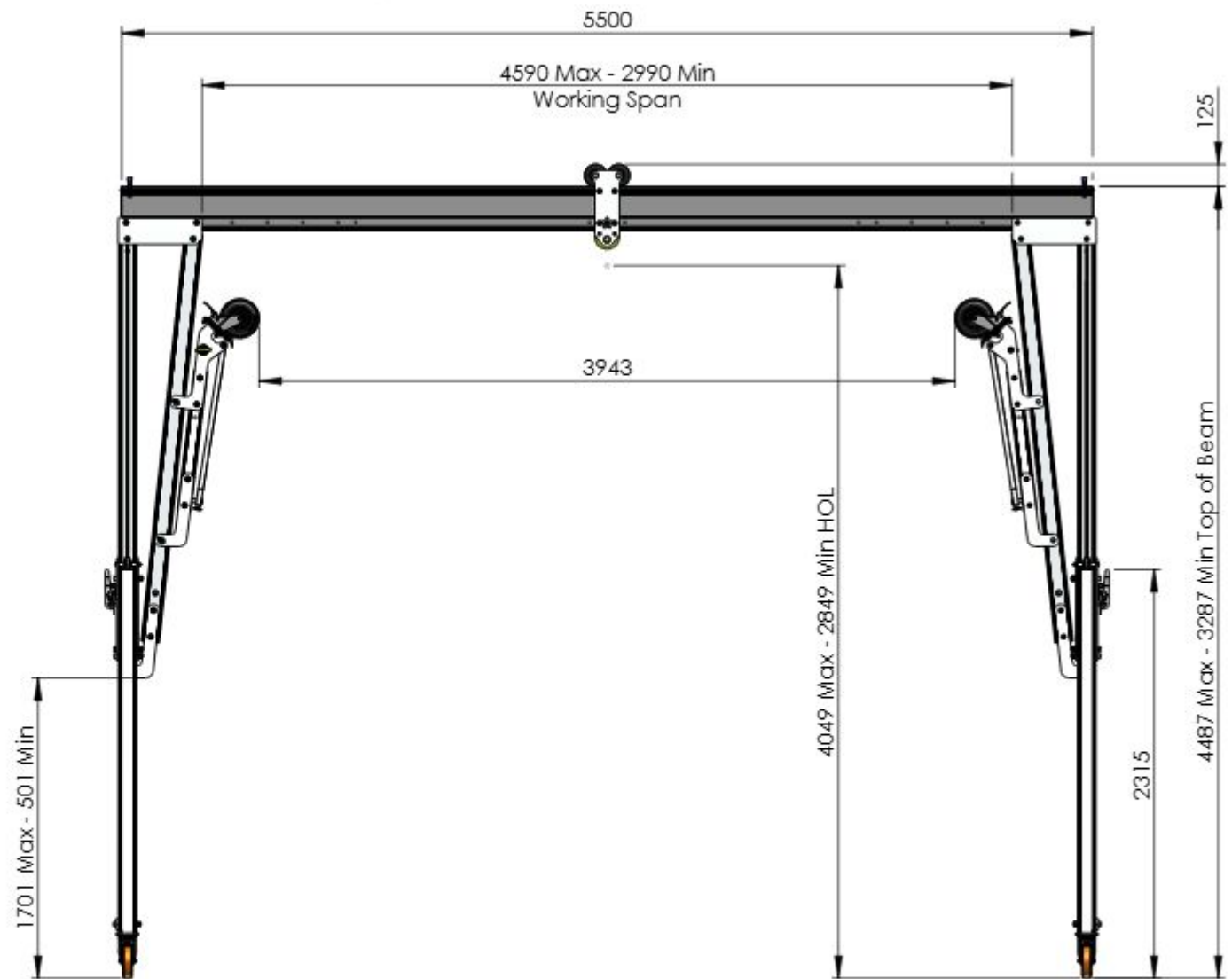
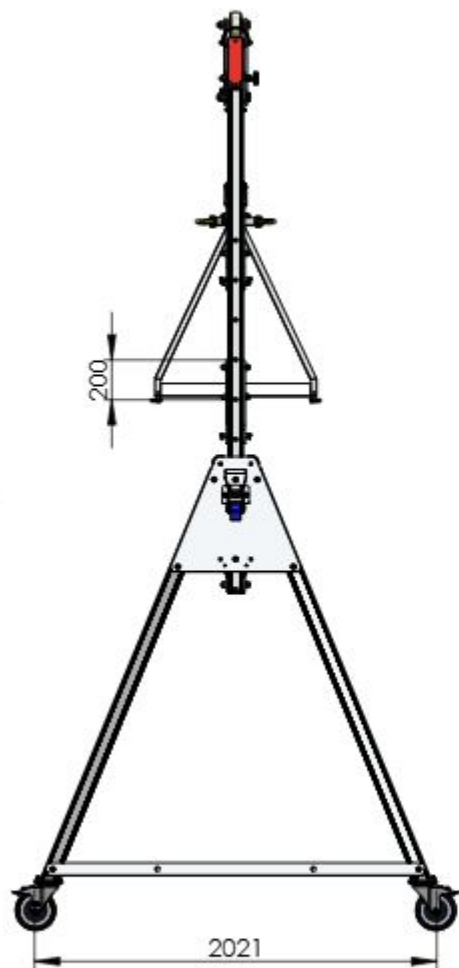
DWG NO. **PGSS05000TR-4570D**

A4

Estimated Weight: 289kg

1:40

SHEET 2 OF 2



DO NOT SCALE DRAWING

REVISION **02**



Reid Lifting Limited. Unit 1
Wyeview, Newhouse Farm Ind. Est.,
Chepstow, Monmouthshire.
NP16 6UD, UK

Tel +44(0) 1291 620796
Fax +44(0) 1291 626490

www.reidlifting.com

enquiries@reidlifting.com

	NAME	DATE	FINISH:
DRAWN	SS	14/06/2021	Anodised
CHK'D			MATERIAL:
APPR'D	CM	04/01/2023	Aluminium Alloy
<small>ALL COPYRIGHT AND DESIGN RIGHT SUBSISTING IN THIS DOCUMENT IS THE PROPERTY OF REID LIFTING LIMITED AND MAY NOT BE REPRODUCED WITHOUT REID LIFTING'S CONSENT. THIS DOCUMENT AND THE INFORMATION CONTAINED WITHIN IT IS CONFIDENTIAL AND MAY NOT BE DISCLOSED TO ANY THIRD PARTY NOR USED FOR ANY UNAUTHORISED PURPOSE WITHOUT REID LIFTING'S CONSENT</small>			
<small>UNLESS OTHERWISE SPECIFIED: DIMENSIONS ARE IN MILLIMETERS</small>			



TITLE: **General Arrangement of REID Lifting Porta-Gantry Size Tall 5500mm Beam WLL5000kg**

DWG NO. **PGSS05000TR-5500D** A4

Estimated Weight: 303kg 1:38 SHEET 1 OF 2

General Specification

- Maximum rated capacity for goods lifting - 5000kg
- Maximum rated capacity for personnel lifting - 2500kg
- Beam deflection at maximum rated capacity of 5000kg - between 50-60 mm at centre of span
- Maximum castor surface pressure at full load - 113.44 MPa
- Assembled gantry weight (excluding trolleys) - 303kg
- All welding to BS EN ISO 15614-2: 2005 by certified welders.
- For further details and assembly information refer to Operations and Maintenance Manual for Porta Gantry Product. (available at www.reidlifting.com)

Fall Protection Standards

- Certified to EN795:2012 Type B & supplied under PPE Regulation 2016/425
- Notified Body Witness tested to the requirements of PD CEN/TS16415:2013 for 5 persons
- Exceeds the requirements of IRATA ICOP & BS7985 (15kN MBL)
- Tested to and meets the requirements of ANSI Z359.18.2017 for 3 persons.

Materials & Finishes

- Frame and beam - 6082 T6 Aluminium alloy. Anodised.
- Castors - Steel. Bright Zinc Plated.
- Castor Wheels & Rollers - Steel & Polyurethane
- Fixes - Steel. Grade 12:9. Bright Zinc Plated.

Note: Master Link Trolleys shown in system as a reference



Approved

DO NOT SCALE DRAWING

REVISION **02**



Reid Lifting Limited. Unit 1
Wyeview, Newhouse Farm Ind. Est.,
Chepstow, Monmouthshire.
NP16 6UD, UK

Tel +44(0)1291 620796
Fax: +44(0)1291 626490

www.reidlifting.com

enquiries@reidlifting.com

	NAME	DATE
DRAWN	SS	14/06/2021
CHK'D		
APPR'D	CM	04/01/2023

UNLESS OTHERWISE SPECIFIED:
DIMENSIONS ARE IN MILLIMETERS

ALL COPYRIGHT AND DESIGN RIGHT SUBSISTING IN THIS DOCUMENT IS THE PROPERTY OF REID LIFTING LIMITED AND MAY NOT BE REPRODUCED WITHOUT REID LIFTING'S CONSENT. THIS DOCUMENT AND THE INFORMATION CONTAINED WITHIN IT IS CONFIDENTIAL AND MAY NOT BE DISCLOSED TO ANY THIRD PARTY NOR USED FOR ANY UNAUTHORIZED PURPOSE WITHOUT REID LIFTING'S CONSENT



TITLE: **General Arrangement of REID Lifting Porta-Gantry Size Tall 5500mm Beam WLL5000kg**

DWG NO.

PGSS05000TR-5500D

A4

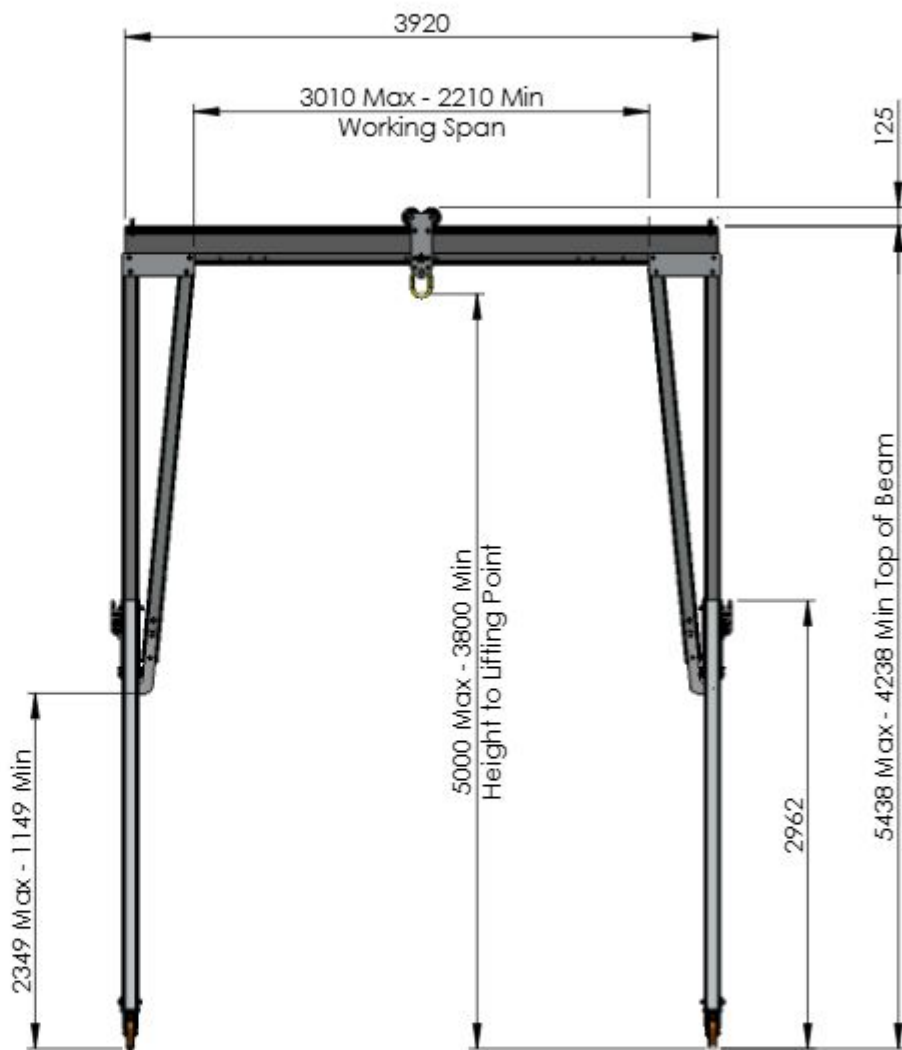
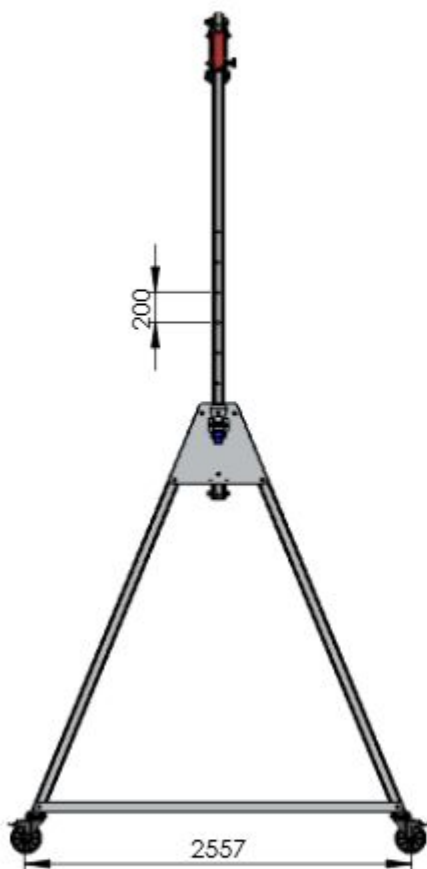
Estimated Weight: 303kg

1:40

SHEET 2 OF 2



To ensure the stability of the structure, the working span of the beam must be equal to or greater than the distance between castors on the A-frame



DO NOT SCALE DRAWING

REVISION **01**



Reid Lifting Limited. Unit 1
Wyeview, Newhouse Farm Ind. Est.,
Chepstow, Monmouthshire,
NP16 6UD, UK

Tel +44(0) 1291 620796
Fax +44(0) 1291 626490

www.reidlifting.com

enquiries@reidlifting.com

	NAME	DATE	FINISH:
DRAWN	SS	24/05/2021	Anodised
CHK'D			MATERIAL:
APP'VD	CM	25/05/2021	Aluminium Alloy
<small>ALL COPYRIGHT AND DESIGN RIGHT SUBSISTING IN THIS DOCUMENT IS THE PROPERTY OF REID LIFTING LIMITED AND MAY NOT BE REPRODUCED WITHOUT REID LIFTING'S CONSENT. THIS DOCUMENT AND THE INFORMATION CONTAINED WITHIN IT IS CONFIDENTIAL AND MAY NOT BE DISCLOSED TO ANY THIRD PARTY NOR USED FOR ANY UNAUTHORISED PURPOSE WITHOUT REID LIFTING'S CONSENT</small>			
<small>UNLESS OTHERWISE SPECIFIED: DIMENSIONS ARE IN MILLIMETERS</small>			



TITLE: **General Arrangement of REID Lifting Porta-Gantry Size TC3 - WLL5000kg, Beam Length 3920mm**

DWG NO. **PGSS05000TC3R-3920D**

A4

Estimated Weight: 262kg

1:50

SHEET 1 OF 2

General Specification

- Maximum rated capacity for goods lifting - 5000kg
- Maximum rated capacity for personnel lifting - 2500kg
- Beam deflection at maximum rated capacity of 5000kg - between 20 - 30mm at centre of span
- Maximum castor surface pressure at full load - 113.11 Mpa
- Assembled gantry weight (excluding trolleys) - 262kg
- All welding to BS EN ISO 15614-2: 2005 by certified welders.
- For further details and assembly information refer to Operations and Maintenance Manual for Porta Gantry Product. (available at www.reidlifting.com)

Fall Protection Standards

- Certified to EN795:2012 Type B, & PD CEN/TS16415:2013 for 5 persons supplied under the PPe regulation 2016/425
- Exceeds the requirements of IRATA ICOP & BS7985 (15kN MBL)
- Tested to and meets the requirements of ANSI Z359.18.2017 for 3 persons.

Materials & Finishes

- Frame and beam - 6082 T6 Aluminium alloy. Anodized.
- Castors - Steel. Bright Zinc Plated.
- Castor Wheels & Rollers - Steel & Polyurethane
- Fixings - Steel. Grade 12:9. Bright Zinc Plated.

Note: Master Link Trolleys shown in system as a reference



Approved

DO NOT SCALE DRAWING

REVISION

01

REID
LIFTING

Reid Lifting Limited. Unit 1
Wyeview, Newhouse Farm Ind. Est.,
Chepstow, Monmouthshire.
NP16 6UD, UK

Tel +44(0)1291 620796
Fax: +44(0)1291 626490

www.reidlifting.com

enquiries@reidlifting.com

	NAME	DATE
DRAWN	SS	24/05/2021
CHK'D		
APP'VD	CM	25/05/2021

UNLESS OTHERWISE SPECIFIED:
DIMENSIONS ARE IN MILLIMETERS

ALL COPYRIGHT AND DESIGN RIGHT SUBSISTING IN THIS DOCUMENT IS THE PROPERTY OF REID LIFTING LIMITED AND MAY NOT BE REPRODUCED WITHOUT REID LIFTING'S CONSENT. THIS DOCUMENT AND THE INFORMATION CONTAINED WITHIN IT IS CONFIDENTIAL AND MAY NOT BE DISCLOSED TO ANY THIRD PARTY NOR USED FOR ANY UNAUTHORISED PURPOSE WITHOUT REID LIFTING'S CONSENT



TITLE:

**General Arrangement of REID Lifting
Porta-Gantry Size TC3 - WLL5000kg,
Beam Length 3920mm**

DWG NO.

PGSS05000TC3R-3920D

A4

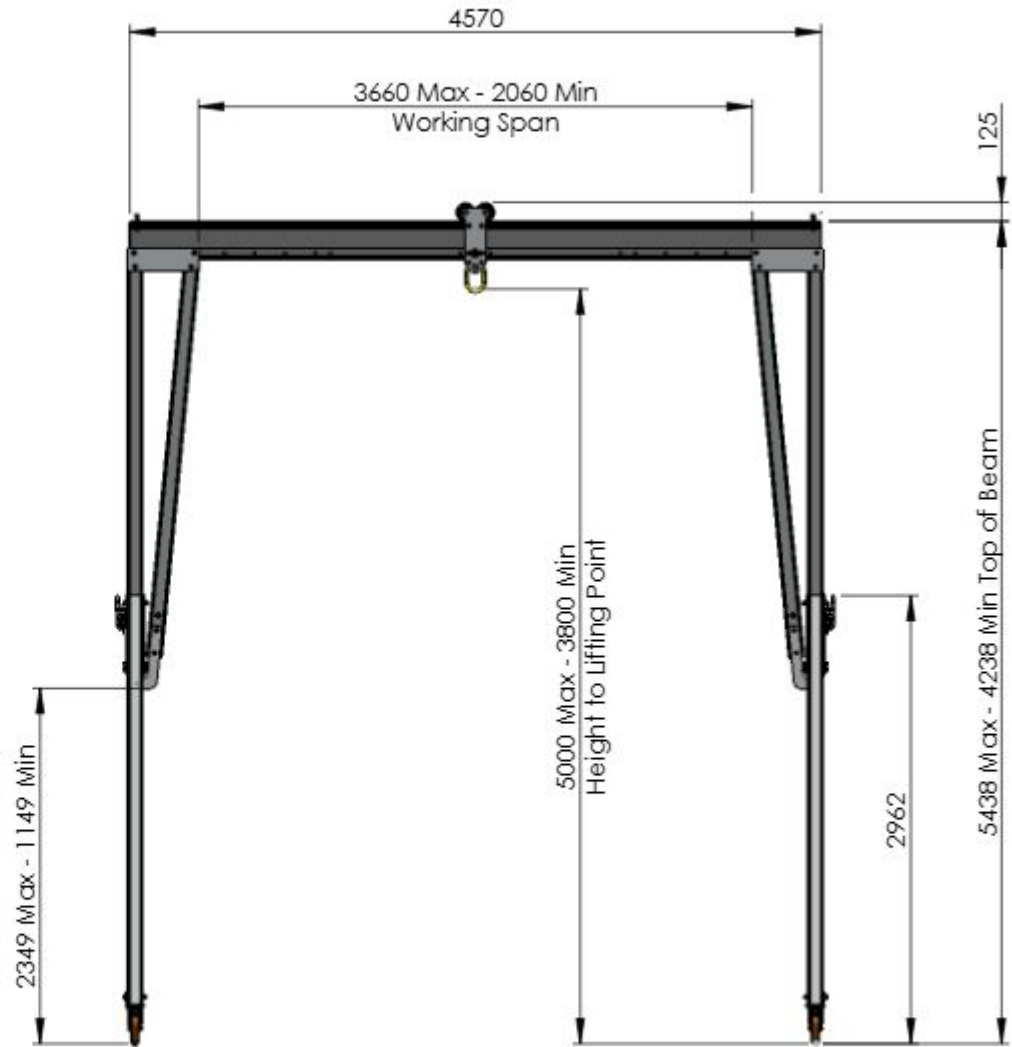
Estimated Weight: 262kg

1:45

SHEET 2 OF 2



To ensure the stability of the structure, the working span of the beam must be equal to or greater than the distance between castors on the A-frame



DO NOT SCALE DRAWING

REVISION

01



Reid Lifting Limited. Unit 1
Wyeview, Newhouse Farm Ind. Est.,
Chepstow, Monmouthshire.
NP16 6UD, UK

Tel +44(0) 1291 620796
Fax +44(0) 1291 626490

www.reidlifting.com

enquiries@reidlifting.com

	NAME	DATE	FINISH:
DRAWN	SS	24/05/2021	Anodised
CHK'D			MATERIAL:
APPR'D	CM	28/02/2022	Aluminium Alloy
<small>ALL COPYRIGHT AND DESIGN RIGHT SUBSISTING IN THIS DOCUMENT IS THE PROPERTY OF REID LIFTING LIMITED AND MAY NOT BE REPRODUCED WITHOUT REID LIFTING'S CONSENT. THIS DOCUMENT AND THE INFORMATION CONTAINED WITHIN IT IS CONFIDENTIAL AND MAY NOT BE DISCLOSED TO ANY THIRD PARTY NOR USED FOR ANY UNAUTHORISED PURPOSE WITHOUT REID LIFTING'S CONSENT</small>			
<small>UNLESS OTHERWISE SPECIFIED: DIMENSIONS ARE IN MILLIMETERS</small>			



TITLE: **General Arrangement of REID Lifting Porta-Gantry Size TC3 - WLL5000kg, Beam Length 4570mm**

DWG NO. **PGSS05000TC3R-4570D** A4

Estimated Weight: 273kg 1:50 SHEET 1 OF 2

General Specification

- Maximum rated capacity for goods lifting - 5000kg
- Maximum rated capacity for personnel lifting - 2500kg
- Beam deflection at maximum rated capacity of 5000kg - between 30 - 40mm at centre of span
- Maximum castor surface pressure at full load - 113.22 Mpa
- Assembled gantry weight (excluding trolleys) - 273kg
- All welding to BS EN ISO 15614-2: 2005 by certified welders.
- For further details and assembly information refer to Operations and Maintenance Manual for Porta Gantry Product. (available at www.reidlifting.com)

Fall Protection Standards

- Certified to EN795:2012 Type B & supplied under PPE Regulation 2016/425
- Notified Body Witness tested to the requirements of PD CEN/TS16415:2013 for 5 persons
- Exceeds the requirements of IRATA ICOP & BS7985 (15kN MBL)
- Tested to and meets the requirements of ANSI Z359.18.2017 for 3 persons.

Materials & Finishes

- Frame and beam - 6082 T6 Aluminium alloy. Anodized.
- Castors - Steel. Bright Zinc Plated.
- Castor Wheels & Rollers - Steel & Polyurethane
- Fixings - Steel. Grade 12.9. Bright Zinc Plated.



Approved

DO NOT SCALE DRAWING

REVISION **01**



Reid Lifting Limited. Unit 1
Wyeview, Newhouse Farm Ind. Est.,
Chepstow, Monmouthshire.
NP16 6UD, UK

Tel +44(0)1291 620796
Fax: +44(0)1291 626490

www.reidlifting.com

enquiries@reidlifting.com

	NAME	DATE
DRAWN	SS	24/05/2021
CHK'D		
APPR'D	CM	28/02/2022

UNLESS OTHERWISE SPECIFIED:
DIMENSIONS ARE IN MILLIMETERS

ALL COPYRIGHT AND DESIGN RIGHT SUBSISTING IN THIS DOCUMENT IS THE PROPERTY OF REID LIFTING LIMITED AND MAY NOT BE REPRODUCED WITHOUT REID LIFTING'S CONSENT. THIS DOCUMENT AND THE INFORMATION CONTAINED WITHIN IT IS CONFIDENTIAL AND MAY NOT BE DISCLOSED TO ANY THIRD PARTY NOR USED FOR ANY UNAUTHORISED PURPOSE WITHOUT REID LIFTING'S CONSENT



TITLE: **General Arrangement of REID Lifting
Porta-Gantry Size TC3 - WLL5000kg,
Beam Length 4570mm**

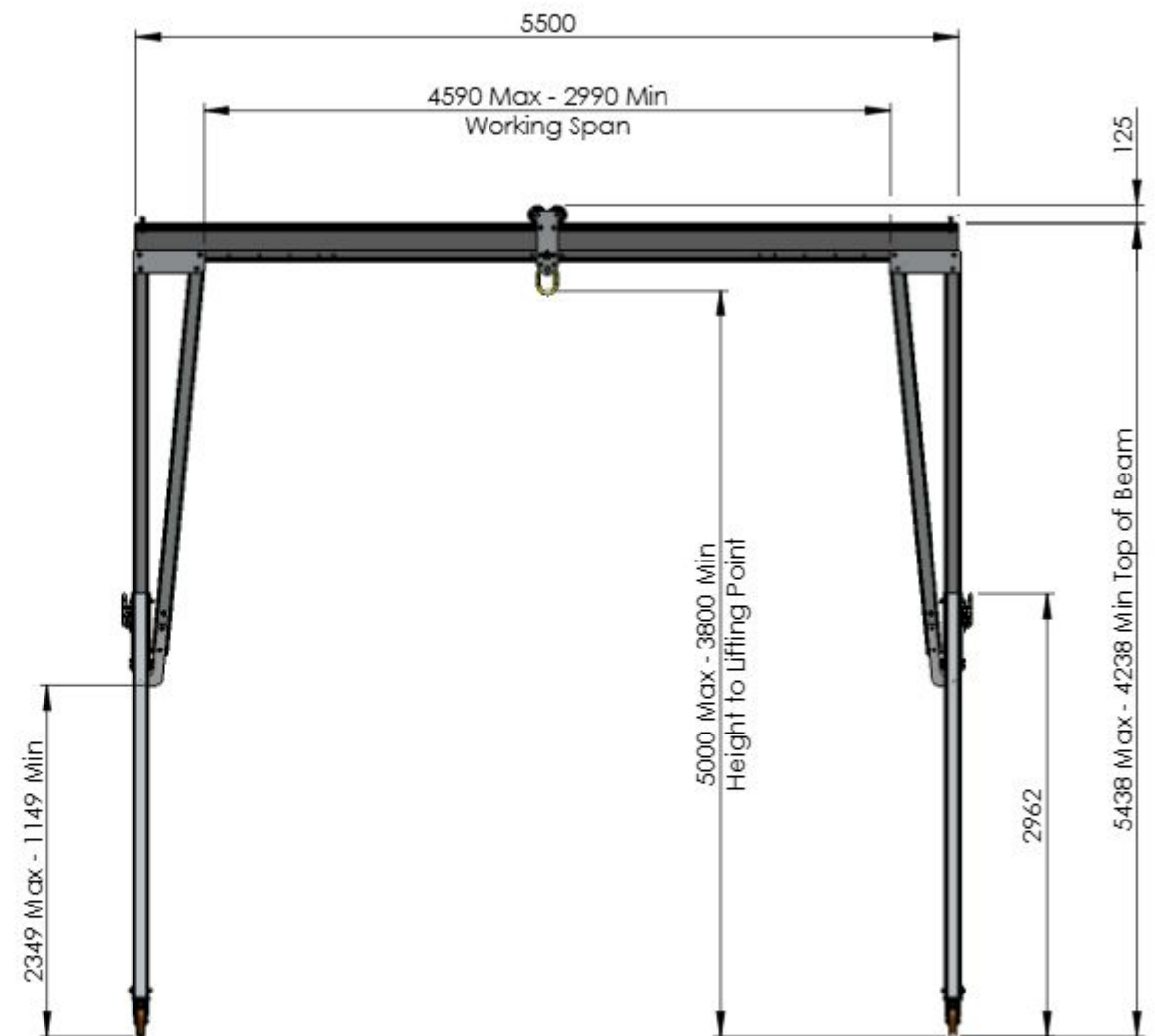
DWG NO. **PGSS05000TC3R-4570D**

A4

Estimated Weight: 273kg

1:45

SHEET 2 OF 2



DO NOT SCALE DRAWING

REVISION **01**



Reid Lifting Limited. Unit 1
Wyeview, Newhouse Farm Ind. Est.,
Chepstow, Monmouthshire.
NP16 6UD, UK

Tel +44(0) 1291 620796
Fax +44(0) 1291 626490

www.reidlifting.com

enquiries@reidlifting.com

	NAME	DATE	FINISH:
DRAWN	SS	24/05/2021	Anodised
CHK'D			MATERIAL:
APPR'D	CM	10/01/2022	Aluminium Alloy
<small>ALL COPYRIGHT AND DESIGN RIGHT SUBSISTING IN THIS DOCUMENT IS THE PROPERTY OF REID LIFTING LIMITED AND MAY NOT BE REPRODUCED WITHOUT REID LIFTING'S CONSENT. THIS DOCUMENT AND THE INFORMATION CONTAINED WITHIN IT IS CONFIDENTIAL AND MAY NOT BE DISCLOSED TO ANY THIRD PARTY NOR USED FOR ANY UNAUTHORISED PURPOSE WITHOUT REID LIFTING'S CONSENT</small>			
<small>UNLESS OTHERWISE SPECIFIED: DIMENSIONS ARE IN MILLIMETERS</small>			

TITLE: **General Arrangement of REID Lifting Porta-Gantry Size TC3 - WLL5000kg, Beam Length 5500mm**

DWG NO. **PGSS05000TC3R-5500D** A4

Estimated Weight: 287kg 1:50 SHEET 1 OF 2

General Specification

- Maximum rated capacity for goods lifting - 5000kg
- Maximum rated capacity for personnel lifting - 2500kg
- Beam deflection at maximum rated capacity of 5000kg - between 50 - 60mm at centre of span
- Maximum castor surface pressure at full load - 113.38 Mpa
- Assembled gantry weight (excluding trolleys) - 287kg
- All welding to BS EN ISO 15614-2: 2005 by certified welders.
- For further details and assembly information refer to Operations and Maintenance Manual for Porta Gantry Product. (available at www.reidlifting.com)

Fall Protection Standards

- Certified to EN795:2012 Type B & supplied under PPE Regulation 2016/425
- Notified Body Witness tested to the requirements of PD CEN/TS16415:2013 for 5 persons
- Exceeds the requirements of IRATA ICOP & BS7985 (15kN MBL)
- Tested to and meets the requirements of ANSI Z359.18.2017 for 3 persons.

Materials & Finishes

- Frame and beam - 6082 T6 Aluminium alloy. Anodized.
- Castors - Steel. Bright Zinc Plated.
- Castor Wheels & Rollers - Steel & Polyurethane
- Fixings - Steel. Grade 12.9. Bright Zinc Plated.



Approved

DO NOT SCALE DRAWING

REVISION **01**



Reid Lifting Limited. Unit 1
Wyeview, Newhouse Farm Ind. Est.,
Chepstow, Monmouthshire.
NP16 6UD, UK

Tel +44(0)1291 620796
Fax: +44(0)1291 626490

www.reidlifting.com

enquiries@reidlifting.com

	NAME	DATE
DRAWN	SS	24/05/2021
CHK'D		
APPR'D	CM	10/01/2022

UNLESS OTHERWISE SPECIFIED:
DIMENSIONS ARE IN MILLIMETERS

ALL COPYRIGHT AND DESIGN RIGHT SUBSISTING IN THIS DOCUMENT IS THE PROPERTY OF REID LIFTING LIMITED AND MAY NOT BE REPRODUCED WITHOUT REID LIFTING'S CONSENT. THIS DOCUMENT AND THE INFORMATION CONTAINED WITHIN IT IS CONFIDENTIAL AND MAY NOT BE DISCLOSED TO ANY THIRD PARTY NOR USED FOR ANY UNAUTHORIZED PURPOSE WITHOUT REID LIFTING'S CONSENT



TITLE: **General Arrangement of REID Lifting
Porta-Gantry Size TC3 - WLL5000kg,
Beam Length 5500mm**

DWG NO. **PGSS05000TC3R-5500D**

A4

Estimated Weight: 287kg

1:45

SHEET 2 OF 2



To ensure the stability of the structure, the working span of the beam must be equal to or greater than the distance between castors on the A-frame



DO NOT SCALE DRAWING

REVISION

01



Reid Lifting Limited. Unit 1
Wyeview, Newhouse Farm Ind. Est.,
Chepstow, Monmouthshire.
NP16 6UD, UK

Tel +44(0) 1291 620796
Fax +44(0) 1291 626490

www.reidlifting.com

enquiries@reidlifting.com

	NAME	DATE	FINISH:
DRAWN	TB	26/05/2021	Anodised
CHK'D			MATERIAL:
APPR'D	CM	26/05/2021	Aluminium Alloy
<small>ALL COPYRIGHT AND DESIGN RIGHT SUBSISTING IN THIS DOCUMENT IS THE PROPERTY OF REID LIFTING LIMITED AND MAY NOT BE REPRODUCED WITHOUT REID LIFTING'S CONSENT. THIS DOCUMENT AND THE INFORMATION CONTAINED WITHIN IT IS CONFIDENTIAL AND MAY NOT BE DISCLOSED TO ANY THIRD PARTY NOR USED FOR ANY UNAUTHORISED PURPOSE WITHOUT REID LIFTING'S CONSENT</small>			
<small>UNLESS OTHERWISE SPECIFIED: DIMENSIONS ARE IN MILLIMETERS</small>			



TITLE:

General Arrangement of REID Lifting Porta-Gantry Size TC4 - WLL5000kg, Beam Length 3920mm

DWG NO.

PGSS05000TC4R-3920D

A4

Estimated Weight: 252 kg

1:45

SHEET 1 OF 2

General Specification

- Maximum rated capacity for goods lifting - 5000kg
- Maximum rated capacity for personnel lifting - 2500kg
- Beam deflection at maximum rated capacity of 5000kg - between 20 - 30mm at centre of span
- Maximum castor surface pressure at full load - 112.89 MPa
- Assembled gantry weight (excluding trolleys) - 252kg
- All welding to BS EN ISO 15614-2: 2005 by certified welders.
- For further details and assembly information refer to Operations and Maintenance Manual for Porta Gantry Product. (available at www.reidlifting.com)

Fall Protection Standards

- Certified to EN795:2012 Type B, & PD CEN/TS16415:2013 for 5 persons supplied under the PPe regulation 2016/425
- Exceeds the requirements of IRATA ICOP & BS7985 (15kN MBL)
- Tested to and meets the requirements of ANSI Z359.18.2017 for 3 persons.

Materials & Finishes

- Frame and beam - 6082 T6 Aluminium alloy. Anodized.
- Castors - Steel. Bright Zinc Plated.
- Castor Wheels & Rollers - Steel & Polyurethane
- Fixings - Steel. Grade 12:9. Bright Zinc Plated.

Note: Master Link Trolleys shown in system as a reference



Approved

DO NOT SCALE DRAWING

REVISION

01



Reid Lifting Limited. Unit 1
Wyeview, Newhouse Farm Ind. Est.,
Chepstow, Monmouthshire.
NP16 6UD, UK

Tel +44(0)1291 620796
Fax: +44(0)1291 626490

www.reidlifting.com

enquiries@reidlifting.com

	NAME	DATE
DRAWN	TB	26/05/2021
CHK'D		
APP'VD	CM	26/05/2021

UNLESS OTHERWISE SPECIFIED:
DIMENSIONS ARE IN MILLIMETERS

ALL COPYRIGHT AND DESIGN RIGHT SUBSISTING IN THIS DOCUMENT IS THE PROPERTY OF REID LIFTING LIMITED AND MAY NOT BE REPRODUCED WITHOUT REID LIFTING'S CONSENT. THIS DOCUMENT AND THE INFORMATION CONTAINED WITHIN IT IS CONFIDENTIAL AND MAY NOT BE DISCLOSED TO ANY THIRD PARTY NOR USED FOR ANY UNAUTHORISED PURPOSE WITHOUT REID LIFTING'S CONSENT



TITLE:

General Arrangement of REID
Lifting Porta-Gantry Size TC4 -
WLL5000kg, Beam Length
3920mm

DWG NO.

PGSS05000TC4R-3920D

A4

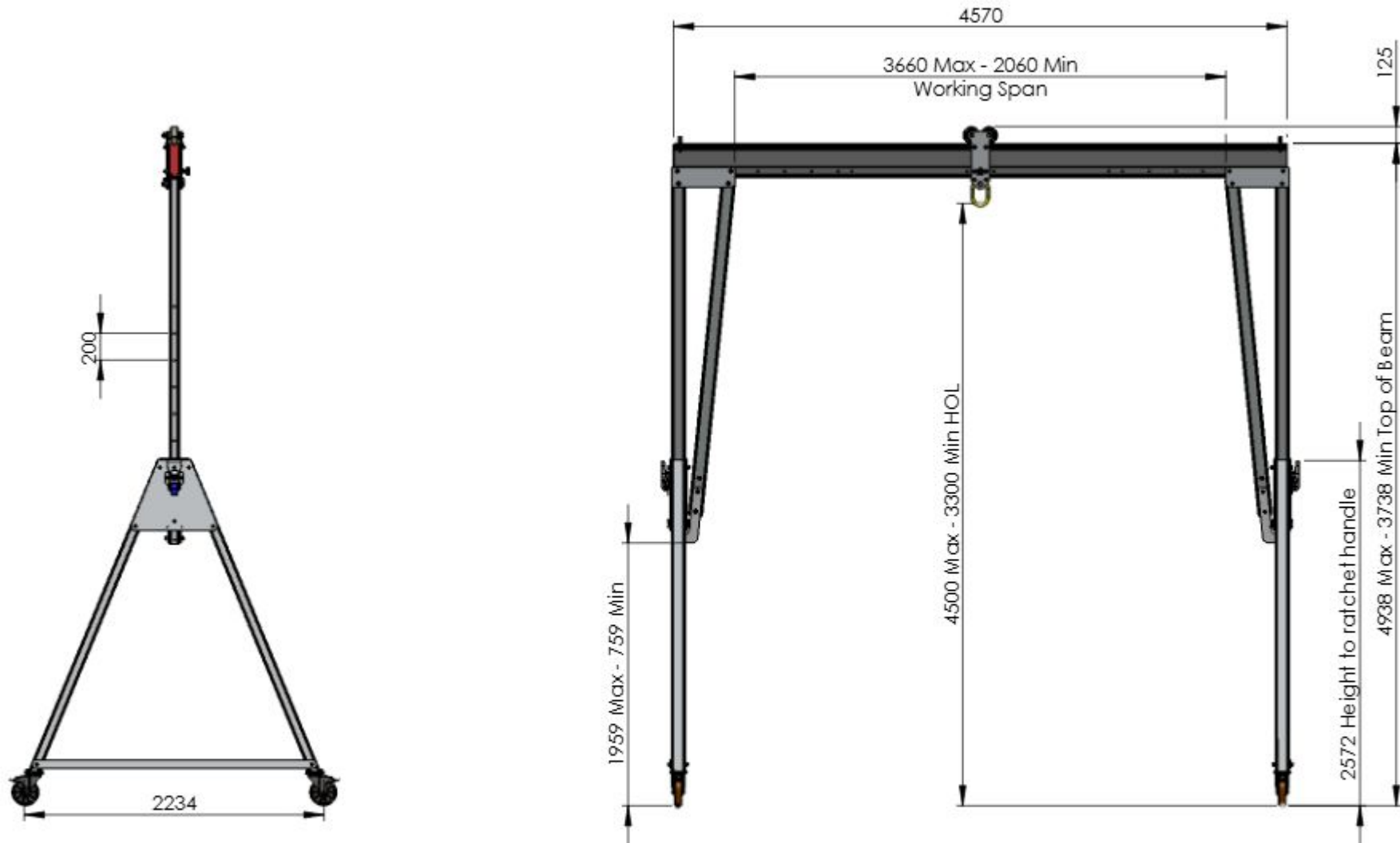
Estimated Weight: 252 kg

1:45

SHEET 2 OF 2



To ensure the stability of the structure, the working span of the beam must be equal to or greater than the distance between castors on the A-frame



DO NOT SCALE DRAWING

REVISION

01



Reid Lifting Limited. Unit 1
Wyeview, Newhouse Farm Ind. Est.,
Chepstow, Monmouthshire,
NP16 6UD, UK

Tel +44(0) 1291 620796
Fax +44(0) 1291 626490

www.reidlifting.com

enquiries@reidlifting.com

	NAME	DATE	FINISH:
DRAWN	TB	26/05/2021	Anodised
CHK'D			MATERIAL:
APPR'D	CM	28/02/2022	Aluminium Alloy
<small>ALL COPYRIGHT AND DESIGN RIGHT SUBSISTING IN THIS DOCUMENT IS THE PROPERTY OF REID LIFTING LIMITED AND MAY NOT BE REPRODUCED WITHOUT REID LIFTING'S CONSENT. THIS DOCUMENT AND THE INFORMATION CONTAINED WITHIN IT IS CONFIDENTIAL AND MAY NOT BE DISCLOSED TO ANY THIRD PARTY NOR USED FOR ANY UNAUTHORISED PURPOSE WITHOUT REID LIFTING'S CONSENT</small>			
<small>UNLESS OTHERWISE SPECIFIED: DIMENSIONS ARE IN MILLIMETERS</small>			



TITLE:

**General Arrangement of REID Lifting
Porta-Gantry Size TC4 - WLL5000kg,
Beam Length 4570mm**

DWG NO.

PGSS05000TC4R-4570D

A4

Estimated Weight: 263 kg

1:45

SHEET 1 OF 2

General Specification

- Maximum rated capacity for goods lifting - 5000kg
- Maximum rated capacity for personnel lifting - 2500kg
- Beam deflection at maximum rated capacity of 5000kg - between 30 - 40mm at centre of span
- Maximum castor surface pressure at full load - 113.00 MPa
- Assembled gantry weight (excluding trolleys) - 263kg
- All welding to BS EN ISO 15614-2: 2005 by certified welders.
- For further details and assembly information refer to Operations and Maintenance Manual for Porta Gantry Product. (available at www.reidlifting.com)

Fall Protection Standards

- Certified to EN795:2012 Type B, & PD CEN/TS16415:2013 for 5 persons supplied under the PPe regulation 2016/425
- Exceeds the requirements of IRATA ICOP & BS7985 (15kN MBL)
- Tested to and meets the requirements of ANSI Z359.18.2017 for 3 persons.

Materials & Finishes

- Frame and beam - 6082 T6 Aluminium alloy. Anodized.
- Castors - Steel. Bright Zinc Plated.
- Castor Wheels & Rollers - Steel & Polyurethane
- Fixings - Steel. Grade 12:9. Bright Zinc Plated.



Approved

DO NOT SCALE DRAWING

REVISION

01

REID
LIFTING

Reid Lifting Limited. Unit 1
Wyeview, Newhouse Farm Ind. Est.,
Chepstow, Monmouthshire.
NP16 6UD, UK

Tel +44(0)1291 620796
Fax: +44(0)1291 626490

www.reidlifting.com

enquiries@reidlifting.com

	NAME	DATE
DRAWN	TB	26/05/2021
CHK'D		
APP'VD	CM	28/02/2022

UNLESS OTHERWISE SPECIFIED:
DIMENSIONS ARE IN MILLIMETERS

ALL COPYRIGHT AND DESIGN RIGHT SUBSISTING IN THIS DOCUMENT IS THE PROPERTY OF REID LIFTING LIMITED AND MAY NOT BE REPRODUCED WITHOUT REID LIFTING'S CONSENT. THIS DOCUMENT AND THE INFORMATION CONTAINED WITHIN IT IS CONFIDENTIAL AND MAY NOT BE DISCLOSED TO ANY THIRD PARTY NOR USED FOR ANY UNAUTHORISED PURPOSE WITHOUT REID LIFTING'S CONSENT



TITLE:

**General Arrangement of REID
Lifting Porta-Gantry Size TC4 -
WLL5000kg, Beam Length
4570mm**

DWG NO.

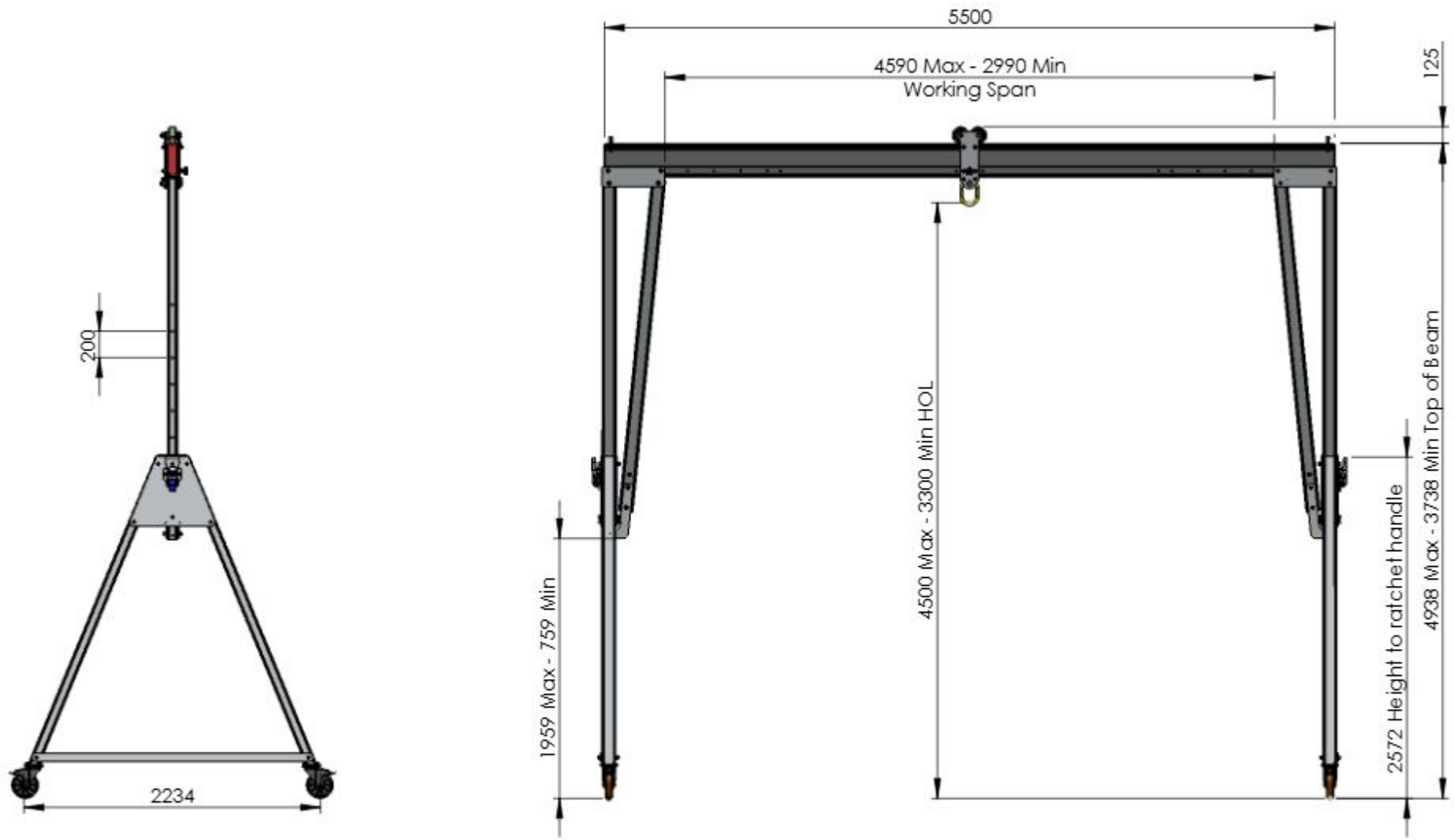
PGSS05000TC4R-4570D

A4

Estimated Weight: 263 kg

1:45

SHEET 2 OF 2



DO NOT SCALE DRAWING

REVISION **01**



Reid Lifting Limited. Unit 1
Wyeview, Newhouse Farm Ind. Est.,
Chepstow, Monmouthshire,
NP16 6UD, UK

Tel +44(0) 1291 620796
Fax +44(0) 1291 626490

www.reidlifting.com

enquiries@reidlifting.com

	NAME	DATE	FINISH:
DRAWN	TB	26/05/2021	Anodised
CHK'D			MATERIAL:
APPR'D	CM	28/02/2022	Aluminium Alloy
<small>ALL COPYRIGHT AND DESIGN RIGHT SUBSISTING IN THIS DOCUMENT IS THE PROPERTY OF REID LIFTING LIMITED AND MAY NOT BE REPRODUCED WITHOUT REID LIFTING'S CONSENT. THIS DOCUMENT AND THE INFORMATION CONTAINED WITHIN IT IS CONFIDENTIAL AND MAY NOT BE DISCLOSED TO ANY THIRD PARTY NOR USED FOR ANY UNAUTHORISED PURPOSE WITHOUT REID LIFTING'S CONSENT</small>			
<small>UNLESS OTHERWISE SPECIFIED: DIMENSIONS ARE IN MILLIMETERS</small>			



TITLE:
**General Arrangement of REID Lifting
Porta-Gantry Size TC4 - WLL5000kg,
Beam Length 5500mm**

DWG NO. **PGSS05000TC4R-5500D** A4

Estimated Weight: 277 kg 1:45 SHEET 1 OF 2

General Specification

- Maximum rated capacity for goods lifting - 5000kg
- Maximum rated capacity for personnel lifting - 2500kg
- Beam deflection at maximum rated capacity of 5000kg - between 50 - 60mm at centre of span
- Maximum castor surface pressure at full load - 113.16 MPa
- Assembled gantry weight (excluding trolleys) - 277kg
- All welding to BS EN ISO 15614-2: 2005 by certified welders.
- For further details and assembly information refer to Operations and Maintenance Manual for Porta Gantry Product. (available at www.reidlifting.com)

Fall Protection Standards

- Certified to EN795:2012 Type B, & PD CEN/TS16415:2013 for 5 persons supplied under the PPe regulation 2016/425
- Exceeds the requirements of IRATA ICOP & BS7985 (15kN MBL)
- Tested to and meets the requirements of ANSI Z359.18.2017 for 3 persons.

Materials & Finishes

- Frame and beam - 6082 T6 Aluminium alloy. Anodized.
- Castors - Steel. Bright Zinc Plated.
- Castor Wheels & Rollers - Steel & Polyurethane
- Fixings - Steel. Grade 12:9. Bright Zinc Plated.



Approved

DO NOT SCALE DRAWING

REVISION

01

REID
LIFTING

Reid Lifting Limited. Unit 1
Wyeview, Newhouse Farm Ind. Est.,
Chepstow, Monmouthshire.
NP16 6UD, UK

Tel +44(0)1291 620796
Fax: +44(0)1291 626490

www.reidlifting.com

enquiries@reidlifting.com

	NAME	DATE
DRAWN	TB	26/05/2021
CHK'D		
APP'VD	CM	28/02/2022

UNLESS OTHERWISE SPECIFIED:
DIMENSIONS ARE IN MILLIMETERS

ALL COPYRIGHT AND DESIGN RIGHT SUBSISTING IN THIS DOCUMENT IS THE PROPERTY OF REID LIFTING LIMITED AND MAY NOT BE REPRODUCED WITHOUT REID LIFTING'S CONSENT. THIS DOCUMENT AND THE INFORMATION CONTAINED WITHIN IT IS CONFIDENTIAL AND MAY NOT BE DISCLOSED TO ANY THIRD PARTY NOR USED FOR ANY UNAUTHORIZED PURPOSE WITHOUT REID LIFTING'S CONSENT



TITLE:

**General Arrangement of REID
Lifting Porta-Gantry Size TC4 -
WLL5000kg, Beam Length
5500mm**

DWG NO.

PGSS05000TC4R-5500D

A4

Estimated Weight: 277 kg

1:45

SHEET 2 OF 2