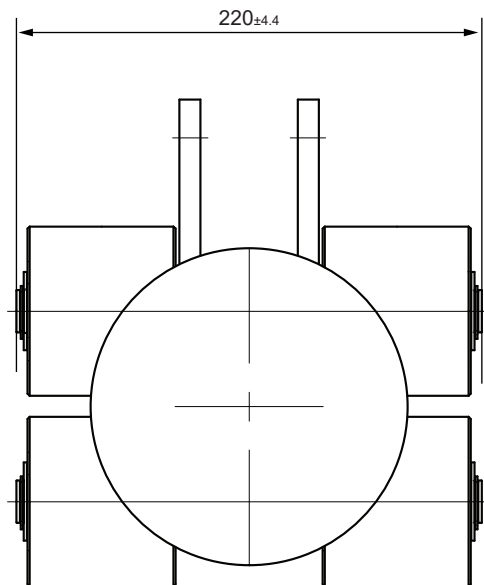
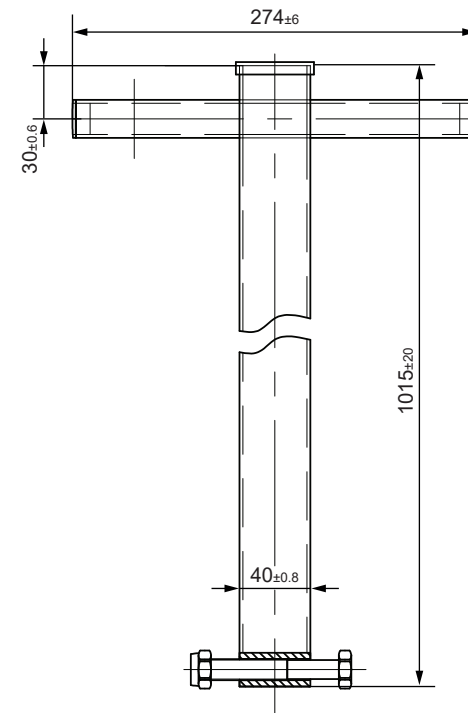
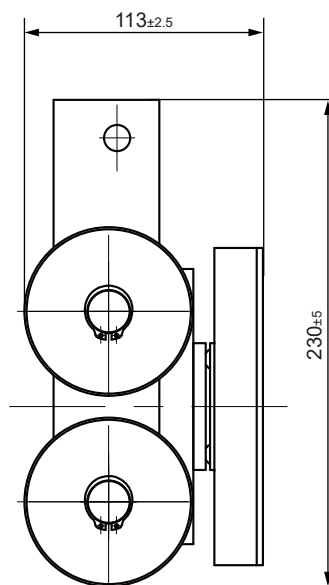


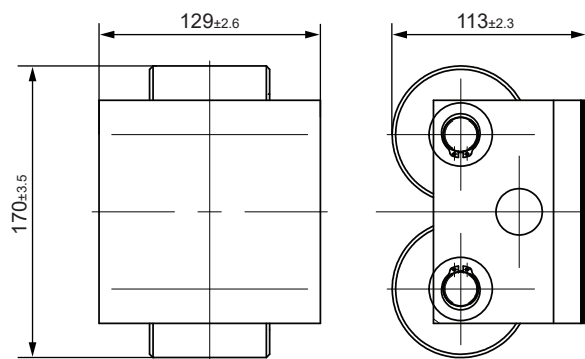
VMMS8
8 TONNE CAPACITY MACHINERY MOVING SKATE



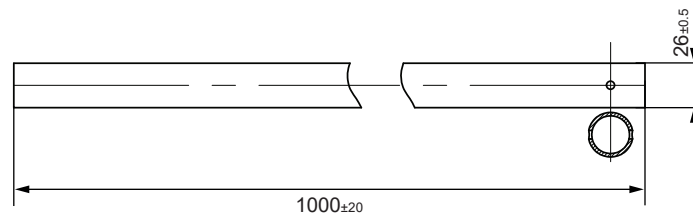
1. VMMS4S



HAND LEVER




2. VMMS2T



CONNECTOR BAR

Assembly (8t) consists of the following:		
Item	Product	Qty
1.	VMMS4S - 4T STEERING SECTION	1
2.	VMMS2T - 2T TRAILING SECTION	2
3.	TRAILING SECTION CONNECTOR BAR	1
4.	STEERING SECTION HAND LEVER	1

8 TONNE MACHINERY MOVING SKATE SET		 GEORGE TAYLOR LIFTING GEAR (MIDLANDS) LTD.
APPROVED	DATE	
Josh Ranford	17.11.2022	
Drawing ID	VMMS8/171122GT	